



Chipsmall Limited consists of a professional team with an average of over 10 year of expertise in the distribution of electronic components. Based in Hongkong, we have already established firm and mutual-benefit business relationships with customers from,Europe,America and south Asia,supplying obsolete and hard-to-find components to meet their specific needs.

With the principle of “Quality Parts,Customers Priority,Honest Operation,and Considerate Service”,our business mainly focus on the distribution of electronic components. Line cards we deal with include Microchip,ALPS,ROHM,Xilinx,Pulse,ON,Everlight and Freescale. Main products comprise IC,Modules,Potentiometer,IC Socket,Relay,Connector.Our parts cover such applications as commercial,industrial, and automotives areas.

We are looking forward to setting up business relationship with you and hope to provide you with the best service and solution. Let us make a better world for our industry!



Contact us

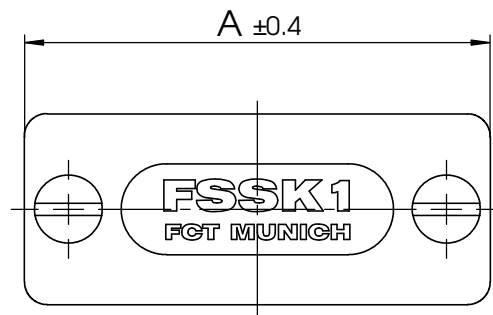
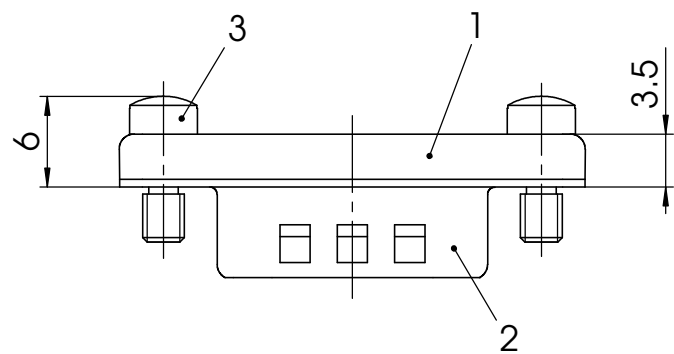
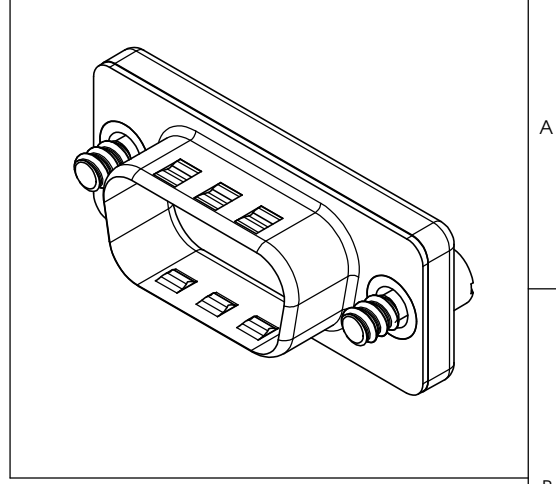
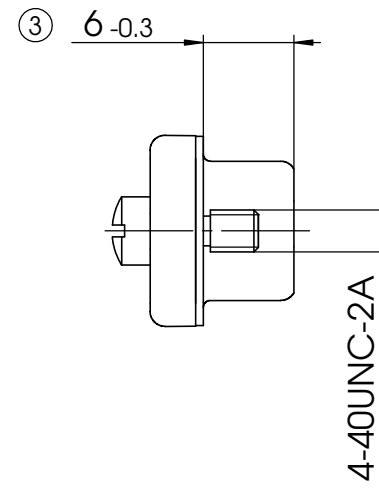
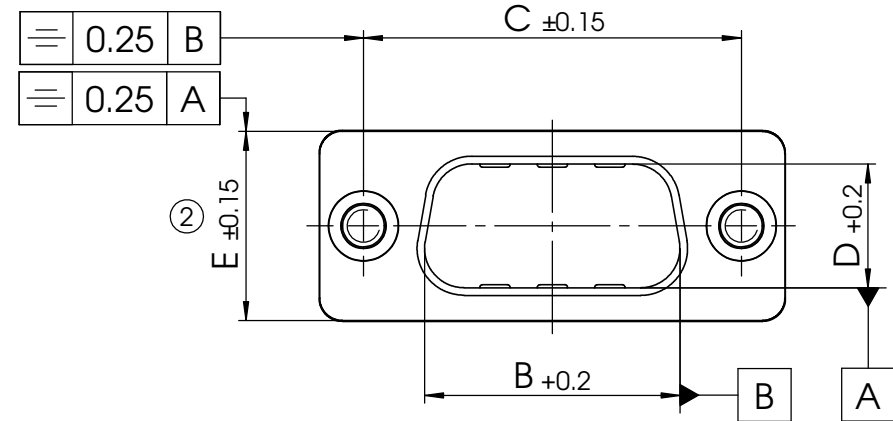
Tel: +86-755-8981 8866 Fax: +86-755-8427 6832

Email & Skype: info@chipsmall.com Web: www.chipsmall.com

Address: A1208, Overseas Decoration Building, #122 Zhenhua RD., Futian, Shenzhen, China



COMMENT:
 ALL RIGHTS ARE RESERVED BY US FOR THIS DRAWING. WITHOUT OUR PRIOR CONSENT,
 IT MAY NEITHER BE DUPLICATED NOR MADE AVAILABLE TO A THIRD PARTY,
 AND IT ALSO MAY NOT BE IMPROPERLY USED BY THE RECEIVER, OR A THIRD PARTY.



FSSKx^{*1)} P

e.g. FSSK1P

*1) x Shell size 1, 2, 3, 4 or 5

Shell size	A mm	B mm	C mm	D mm	E mm
1	30.8	16.9	25	8.2	12.5
2	39.1	25.2	33.3	8.2	12.5
3	53	38.9	47.04	8.2	12.5
4	69.3	55.3	63.5	8.2	12.5
5	66.9	52.8	61.1	11	15.4

② max. torque are 40 Ncm

No.	St.	Part	Type	Description/Material	Surface plating/Colour/Class
3	2	Screw	4-40 / Brass		nickel plated
2	1	Shell	Brass		tin plated
1	1	Shielding flange	FSSK1-5 / Zinc die-cast		nickel plated

						Measurement without tolerance occ. to ISO 2768-m SCALE 2:1 TITLE Shielded Dust Cap	
				NAME / DATE DRAWN Denzinger 17-06-2002 CHECKED KBurkhardt 02-11-2007			
3	01-11-2007	22137	fctgroup.com		DWG.NO.	FSSK1-5P	
2	05-09-2007	21987			REV.		3
1					REPLACEMENT FOR:		PAGES 1
REV.	DATE	CH.-NO.	ORIGINAL: DIN A3-DRAWING AS A FILE	REPLACEMENT FOR:			