



Chipsmall Limited consists of a professional team with an average of over 10 year of expertise in the distribution of electronic components. Based in Hongkong, we have already established firm and mutual-benefit business relationships with customers from,Europe,America and south Asia,supplying obsolete and hard-to-find components to meet their specific needs.

With the principle of “Quality Parts,Customers Priority,Honest Operation,and Considerate Service”,our business mainly focus on the distribution of electronic components. Line cards we deal with include Microchip,ALPS,ROHM,Xilinx,Pulse,ON,Everlight and Freescale. Main products comprise IC,Modules,Potentiometer,IC Socket,Relay,Connector.Our parts cover such applications as commercial,industrial, and automotives areas.

We are looking forward to setting up business relationship with you and hope to provide you with the best service and solution. Let us make a better world for our industry!



## Contact us

Tel: +86-755-8981 8866 Fax: +86-755-8427 6832

Email & Skype: info@chipsmall.com Web: www.chipsmall.com

Address: A1208, Overseas Decoration Building, #122 Zhenhua RD., Futian, Shenzhen, China

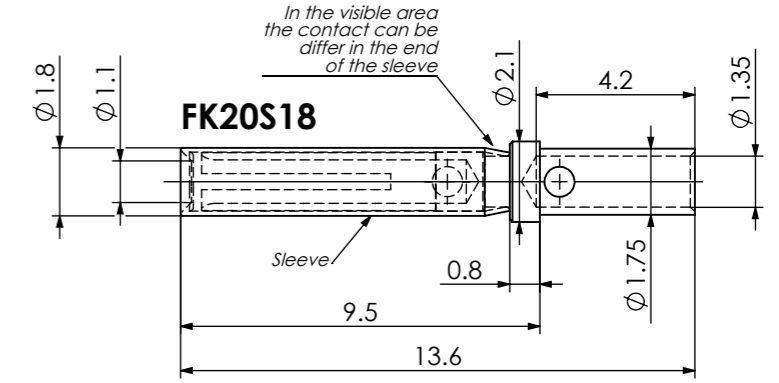
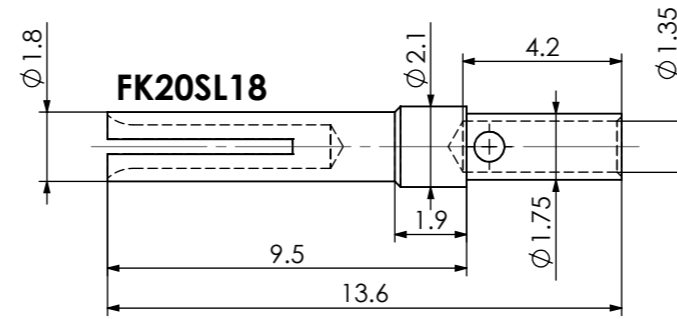
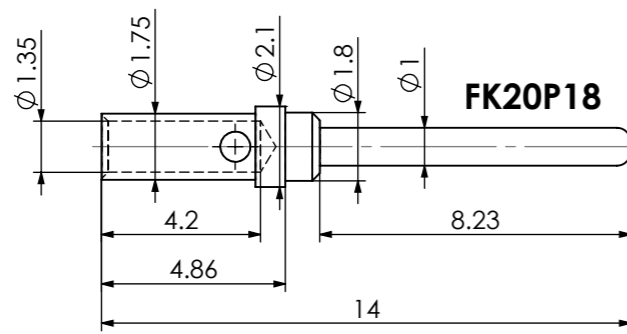


**PIN** Material: Brass

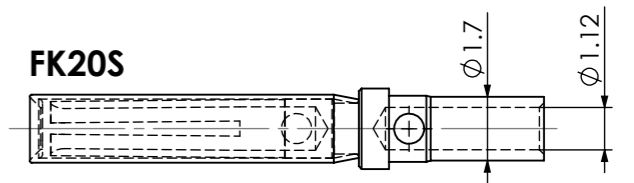
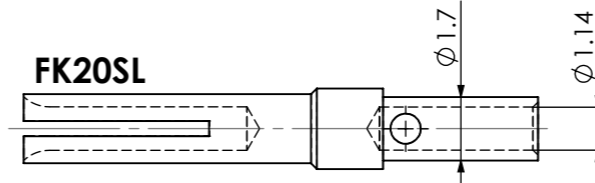
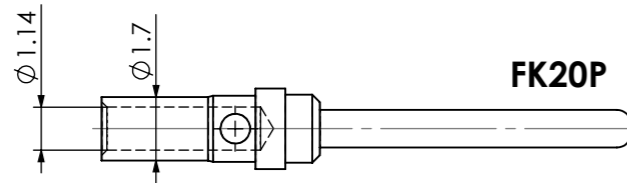
**SOCKET** Material: Copper alloy

**SOCKET** Material: Copper alloy with sleeve made of stainless steel

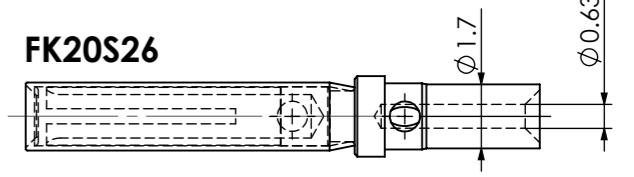
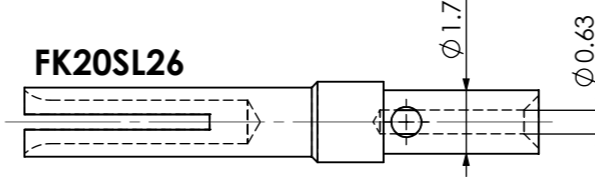
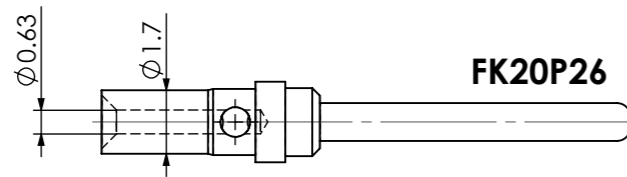
**AWG  
18-22**



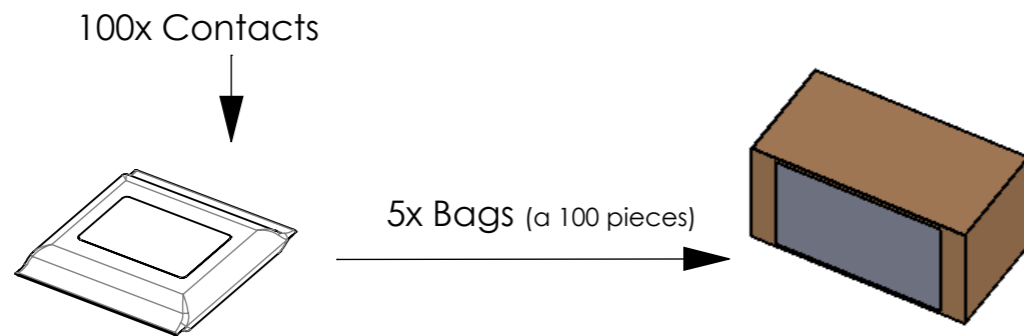
**AWG  
20-24**



**AWG  
26-28**



**Packing unit**



Ordering Example **FK20S-13V-5783**

Crimp socket contact for wire size 20-24 plating 1.3 $\mu$ m Au over Ni

*Crimping Tools see catalogue.*

FK20...	1.3 $\mu$ m Au (over Ni)	... -13V ...	-5783
Please select above	0.8 $\mu$ m Au (over Ni)	... -08V ...	
	0.2 $\mu$ m Au (over Ni)	... -02V ...	
Part No.	Surface plating/Colour/Class	Addition to Order Number	Modification

Measurement without tolerance occ. to ISO 2768-m	SCALE 5:1
NAME / DATE	
DRAWN sschref 27-08-2015	
CHECKED sschref 27-08-2015	



TITLE	Machined Contacts for Crimp Connectors
DWG.NO.	FK20-xx-5783_D
REV.	1

1	REV.	DATE	CH.-NO.	ORIGINAL: DIN A3-DRAWING AS A FILE	REPLACEMENT FOR:	PAGES 1
---	------	------	---------	------------------------------------	------------------	---------

COMMENT: ALL RIGHTS ARE RESERVED BY US FOR THIS DRAWING. WITHOUT OUR PRIOR CONSENT, IT MAY NEITHER BE PUBLISHED NOR MADE AVAILABLE TO A THIRD PARTY. AND IT ALSO MAY NOT BE IMPROPERLY USED BY THE RECEIVER, OR A THIRD PARTY.