



Chipsmall Limited consists of a professional team with an average of over 10 year of expertise in the distribution of electronic components. Based in Hongkong, we have already established firm and mutual-benefit business relationships with customers from,Europe,America and south Asia,supplying obsolete and hard-to-find components to meet their specific needs.

With the principle of “Quality Parts,Customers Priority,Honest Operation,and Considerate Service”,our business mainly focus on the distribution of electronic components. Line cards we deal with include Microchip,ALPS,ROHM,Xilinx,Pulse,ON,Everlight and Freescale. Main products comprise IC,Modules,Potentiometer,IC Socket,Relay,Connector.Our parts cover such applications as commercial,industrial, and automotives areas.

We are looking forward to setting up business relationship with you and hope to provide you with the best service and solution. Let us make a better world for our industry!



Contact us

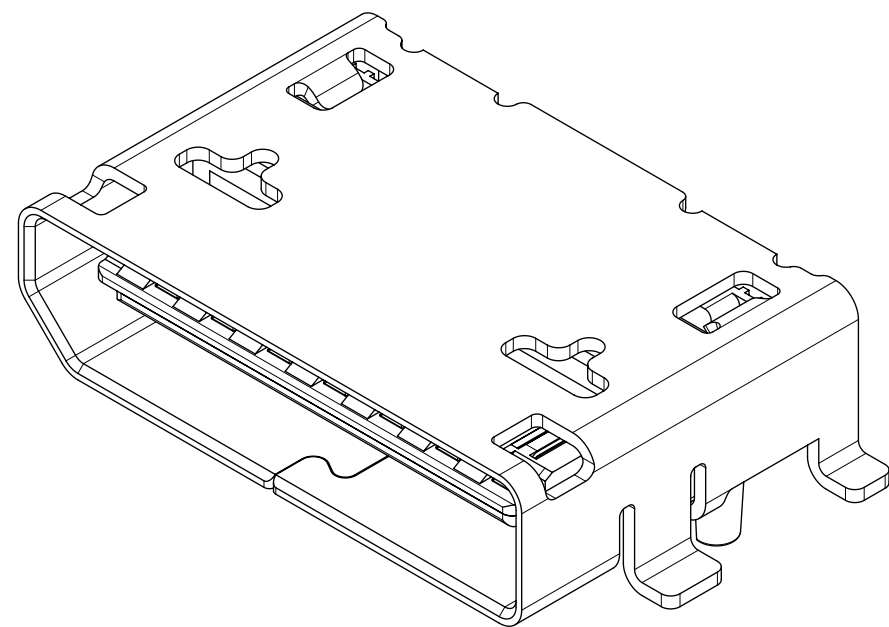
Tel: +86-755-8981 8866 Fax: +86-755-8427 6832

Email & Skype: info@chipsmall.com Web: www.chipsmall.com

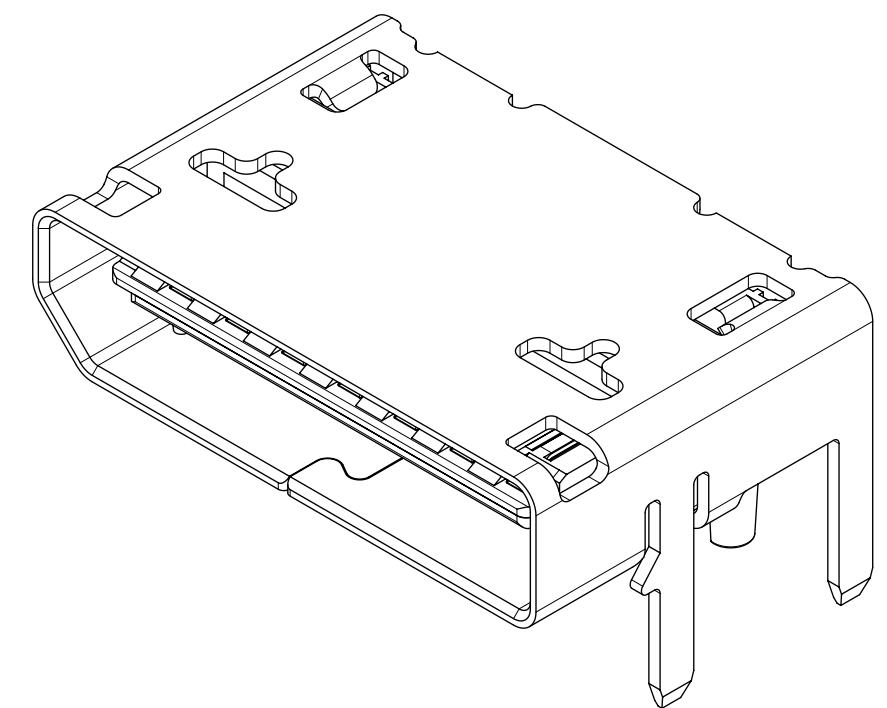
Address: A1208, Overseas Decoration Building, #122 Zhenhua RD., Futian, Shenzhen, China



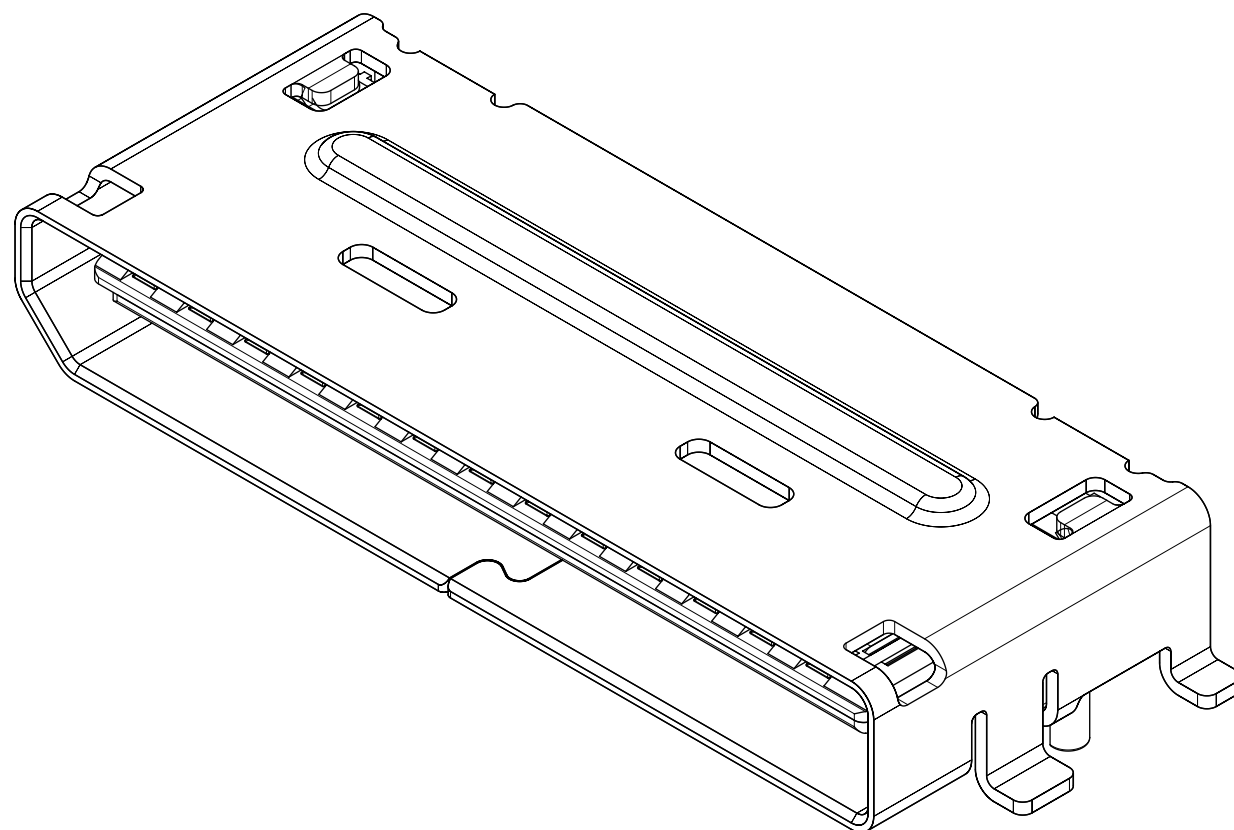
STATUS	MATERIAL NUMBER	CIRCUIT SIZE	SHELL ATTACH OPTION	DIM "T"
TOOLED	173162-0131	80	SMT	-
TOOLED	173162-0132	80	TH	3.0
NOT TOOLED	173162-0121	42	SMT	-
NOT TOOLED	173162-0122	42	TH	3.0
NOT TOOLED	173162-****	80	TH	2.36
NOT TOOLED	173162-****	80	TH	1.57
NOT TOOLED	173162-****	42	TH	2.36
NOT TOOLED	173162-****	42	TH	1.57



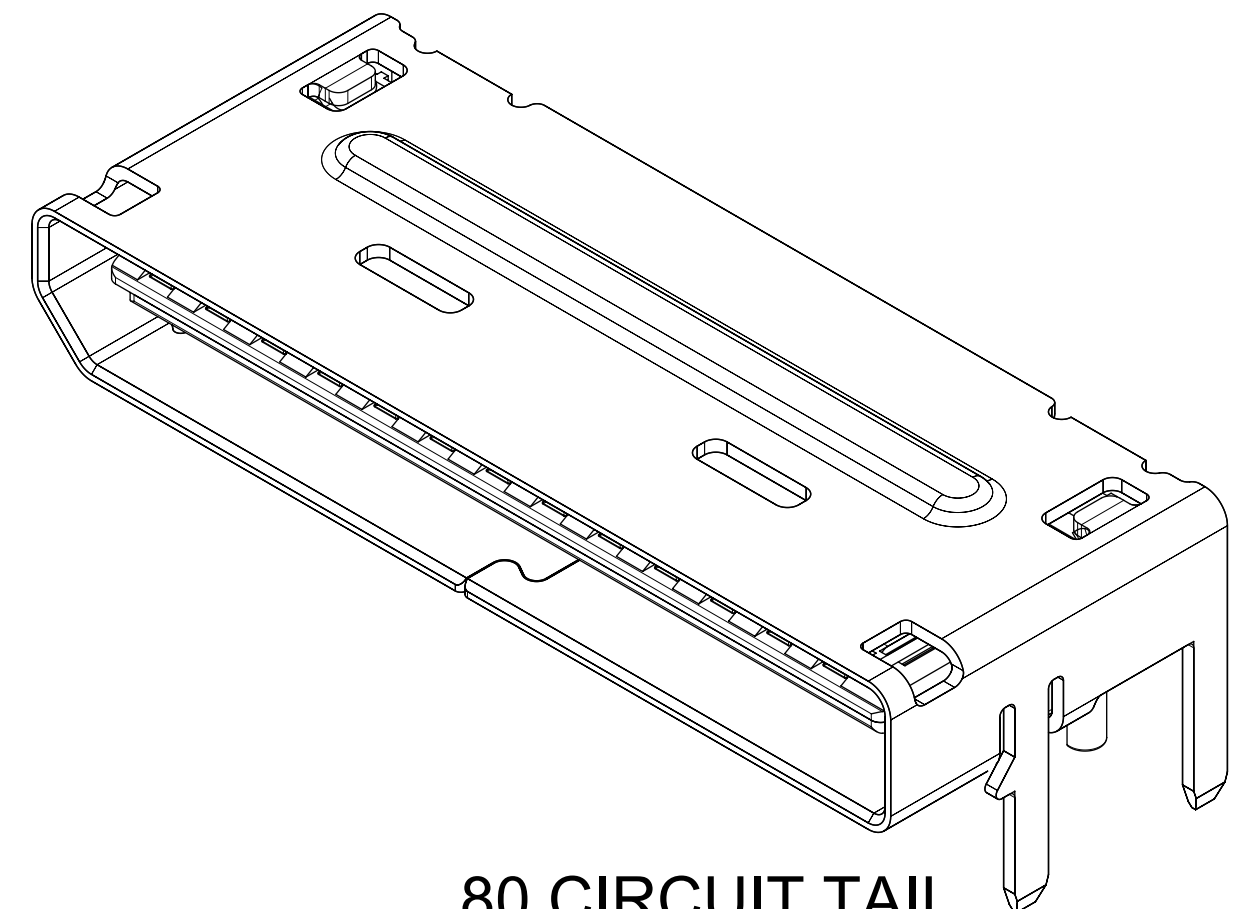
42 CIRCUIT SMT



42 CIRCUIT TAIL



80 CIRCUIT SMT



80 CIRCUIT TAIL

NOTES:

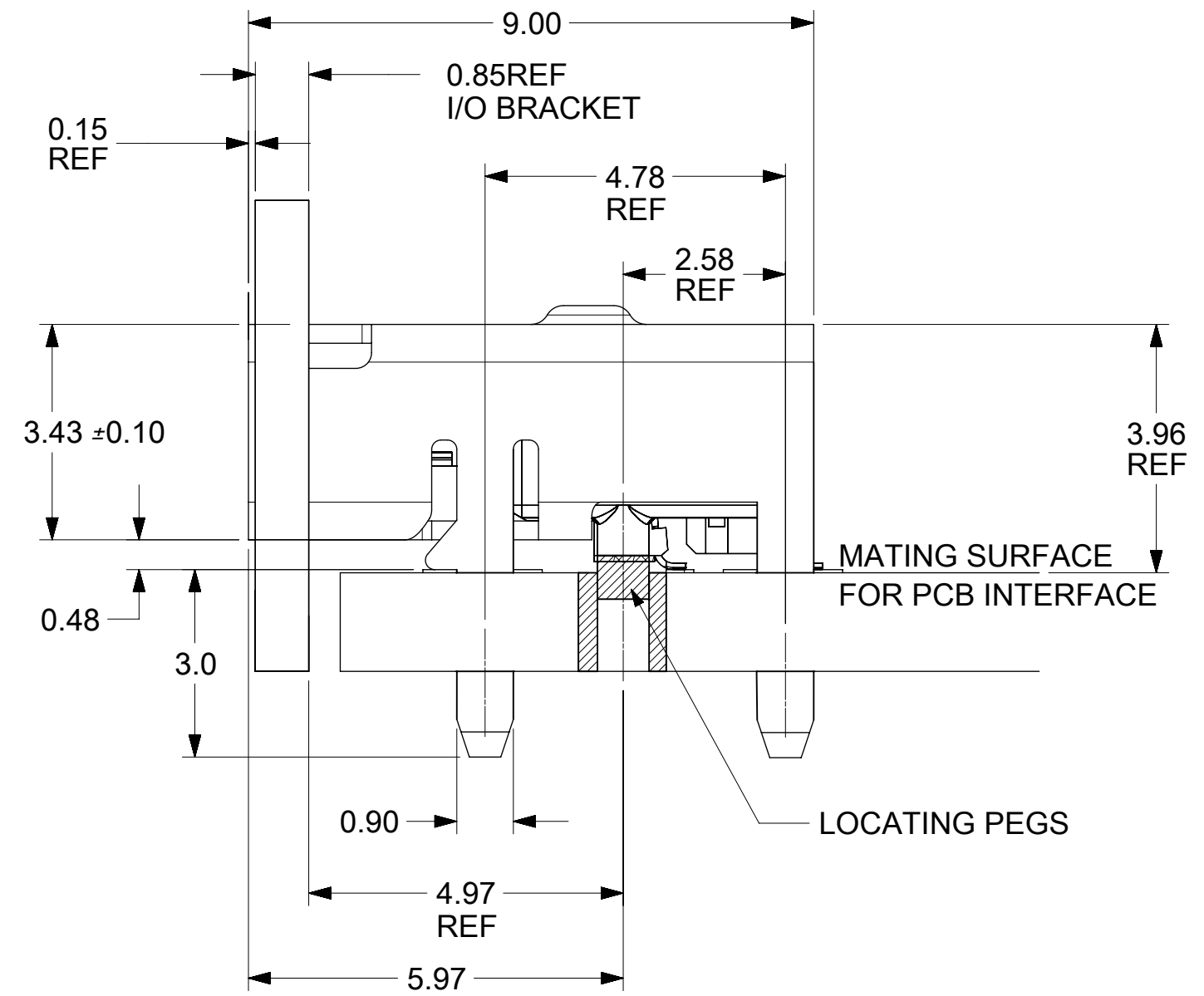
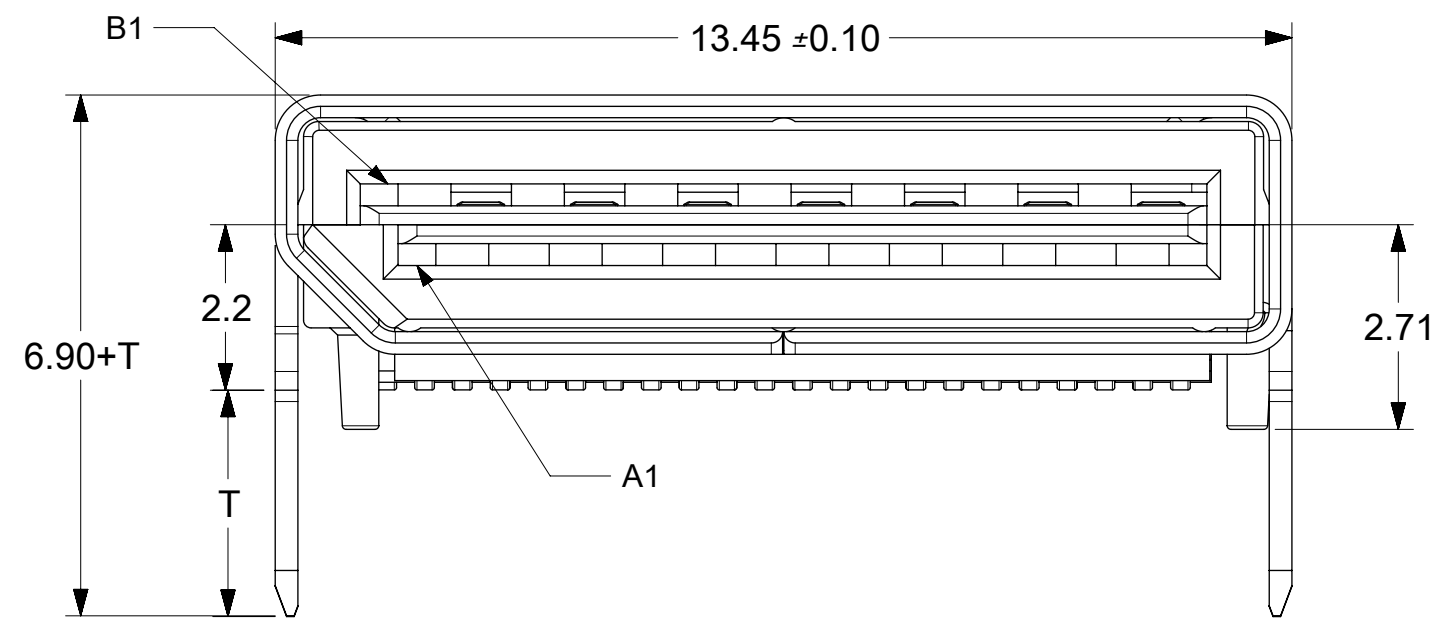
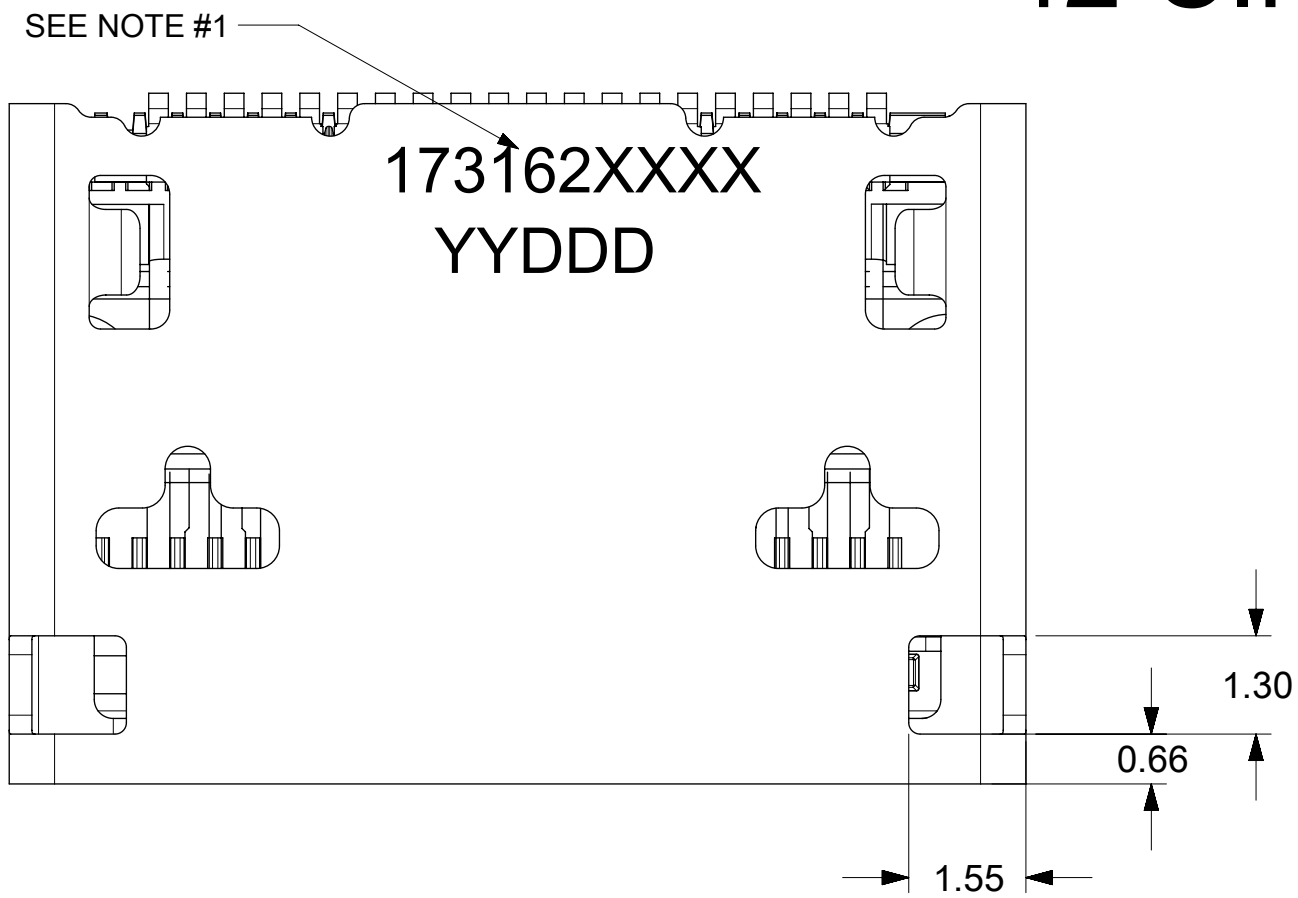
- MATERIALS:
HOUSING - GLASS FILLED THERMOPLASTIC, 94V-0
CONTACTS - HIGH PERFORMANCE COPPER ALLOY
SHIELD - STAINLESS STEEL
- FINISH:
CONTACTS - 0.76µm MIN. GOLD MATING SIDE
2.54µm TIN ON SOLDER TAILS
2.0µm MIN. NICKEL UNDERPLATE OVERALL

SHIELD - MATTE TIN OVER 1.27µm MIN. NICKEL
- PRODUCT SPECIFICATION: PS-173162-0001
- PACKAGING SPECIFICATION: PK-173307-0001
- MATES WITH: MOLEX CABLE SERIES 200226 OR 200227
PER INDUSTRY STANDARD PCIe OCuLink 1.0, SFF-8611
- APPLICATION SPECIFICATION: AS-173162-0001
- COSMETIC SPECIFICATION: PS-45499-002
- ASSEMBLY PART NUMBER AND DATE CODE TO BE LOCATED APPROXIMATELY AS SHOWN, DATE CODE TO SHOW THE DATE AND YEAR OF ASSEMBLY (DDYY OR YDDD)

PRE-RELEASE
REFERENCE
USE ONLY

THIS DRAWING CONTAINS INFORMATION THAT IS PROPRIETARY TO MOLEX ELECTRONIC TECHNOLOGIES, LLC AND SHOULD NOT BE USED WITHOUT WRITTEN PERMISSION															
SEE REVISION TABLE	2017/05/26	GENERAL TOLERANCES (UNLESS SPECIFIED)		DIMENSION UNITS	SCALE	molex									
			MM	INCH	MM							10:1			
		4 PLACES	±	±	DRWN BY	DATE	NANO PITCH I/O FIXED 25GB RIGHT ANGLE 4X AND 8X								
		3 PLACES	±	±	BJANOWIAK	2015/05/11									
		2 PLACES	±	0.13	±	CHK'D BY	DATE	PRODUCT CUSTOMER DRAWING							
1 PLACES	±	0.25	±	APPR BY	DATE										
0 PLACES	±	±	±	MBANAKIS	2015/09/18	SERIES	MATERIAL NUMBER	CUSTOMER							
ANGULAR TOL = 0.5	DRAWING SIZE	THIRD ANGLE PROJECTION	173162									SEE CHART	GENERAL MARKET		
DRAFT WHERE APPLICABLE MUST REMAIN WITHIN DIMENSIONS	C		DOCUMENT NUMBER									SD-173162-0001	DOC TYPE	DOC PART	SHEET NUMBER
												PSD	001	1 OF 11	

42 CIRCUIT TH ASSEMBLY



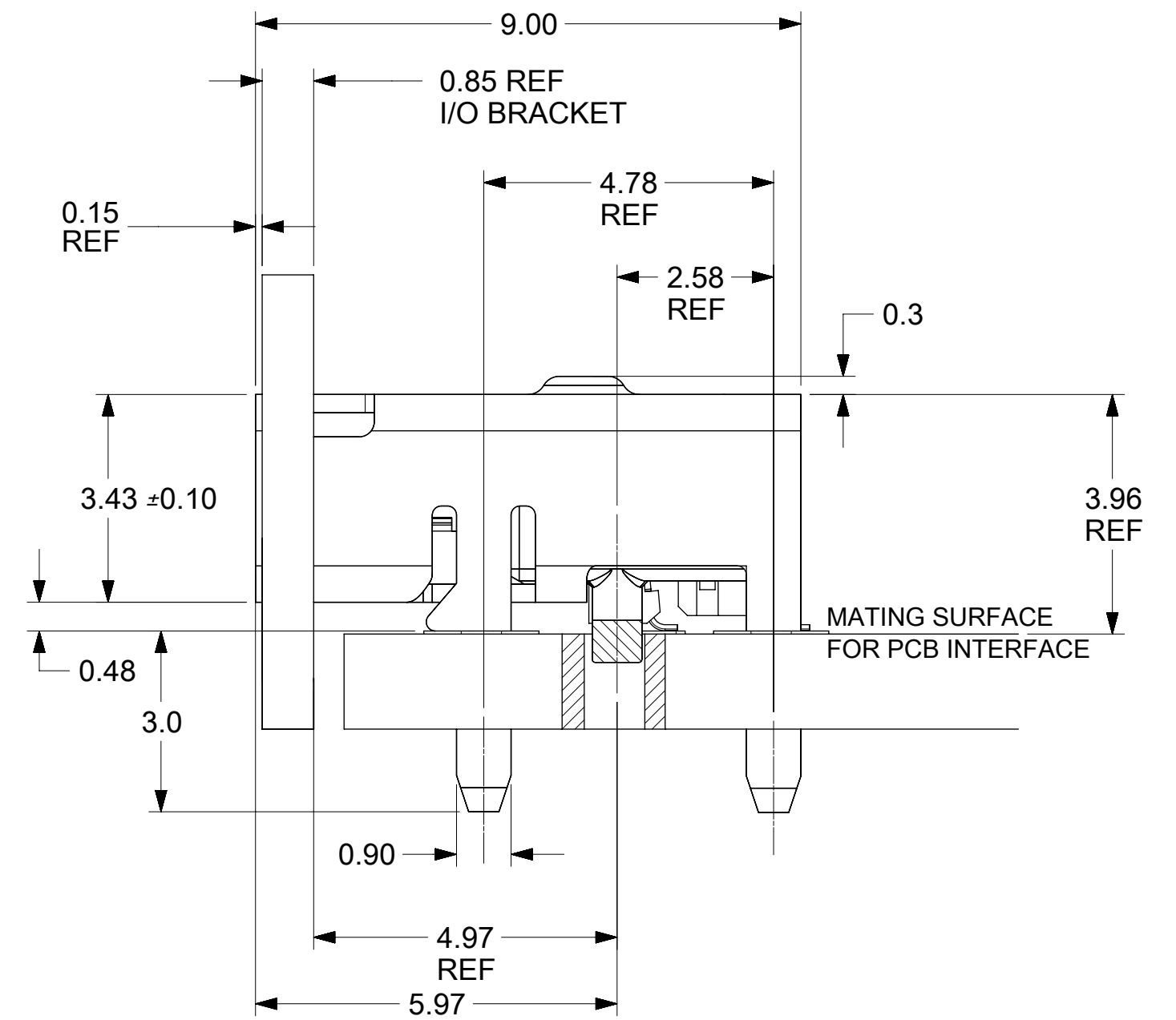
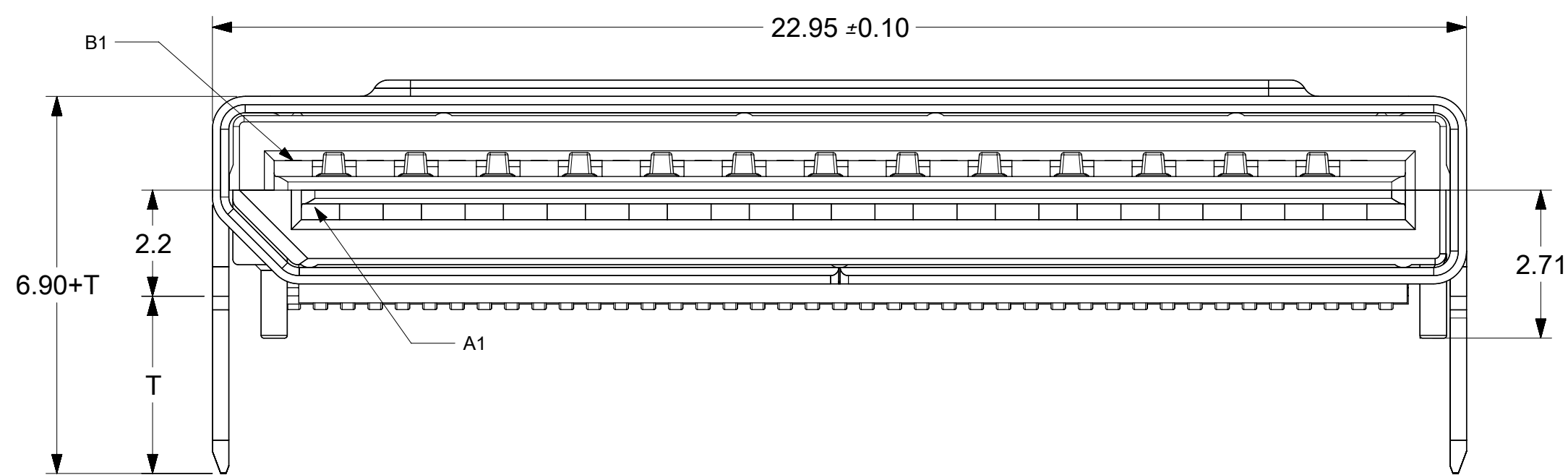
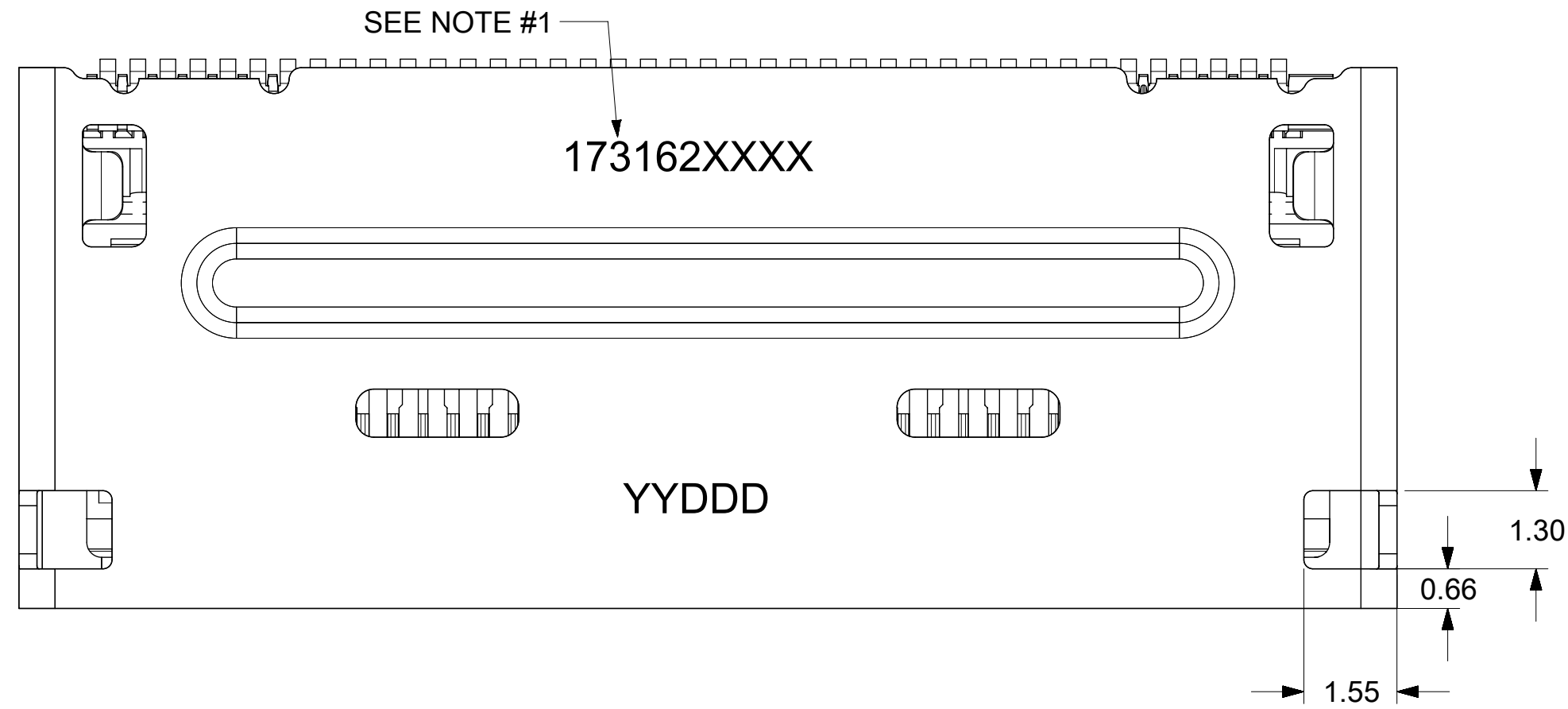
PRE-RELEASE
REFERENCE
USE ONLY

THIS DRAWING CONTAINS INFORMATION THAT IS PROPRIETARY TO MOLEX ELECTRONIC TECHNOLOGIES, LLC AND SHOULD NOT BE USED WITHOUT WRITTEN PERMISSION

SEE REVISION TABLE	2017/05/26	GENERAL TOLERANCES (UNLESS SPECIFIED)		DIMENSION UNITS	SCALE					
	EC NO: DRWN: CMN CHKD: REV / APPR:		MM	INCH	MM		10:1			
		4 PLACES	±	±	DRWN BY		DATE	NANO PITCH I/O FIXED 25GB RIGHT ANGLE 4X AND 8X		
		3 PLACES	±	±	BJANOWIAK		2015/05/11			
		2 PLACES	±	0.13	±		CHK'D BY		DATE	
1 PLACES	±	0.25	±	APPR BY	DATE					
		0 PLACES	±	±	MBANAKIS	2015/09/18	PRODUCT CUSTOMER DRAWING			
		ANGULAR TOL = 0.5		DRAWING SIZE	THIRD ANGLE PROJECTION	SERIES		MATERIAL NUMBER	CUSTOMER	
		DRAFT WHERE APPLICABLE MUST REMAIN WITHIN DIMENSIONS		C		173162		SEE SHEET 1	GENERAL MARKET	
						DOCUMENT NUMBER		DOC TYPE	DOC PART	SHEET NUMBER
						SD-173162-0001		PSD	001	2 OF 11

- NOTES:
1. MANUFACTURED DATE CODE (JULIAN CALENDAR) AND PART NUMBER
 2. SOLDER TAIL COPLANARITY, 0.10 MAX

80 CIRCUIT TH ASSEMBLY



PRE-RELEASE
REFERENCE
USE ONLY

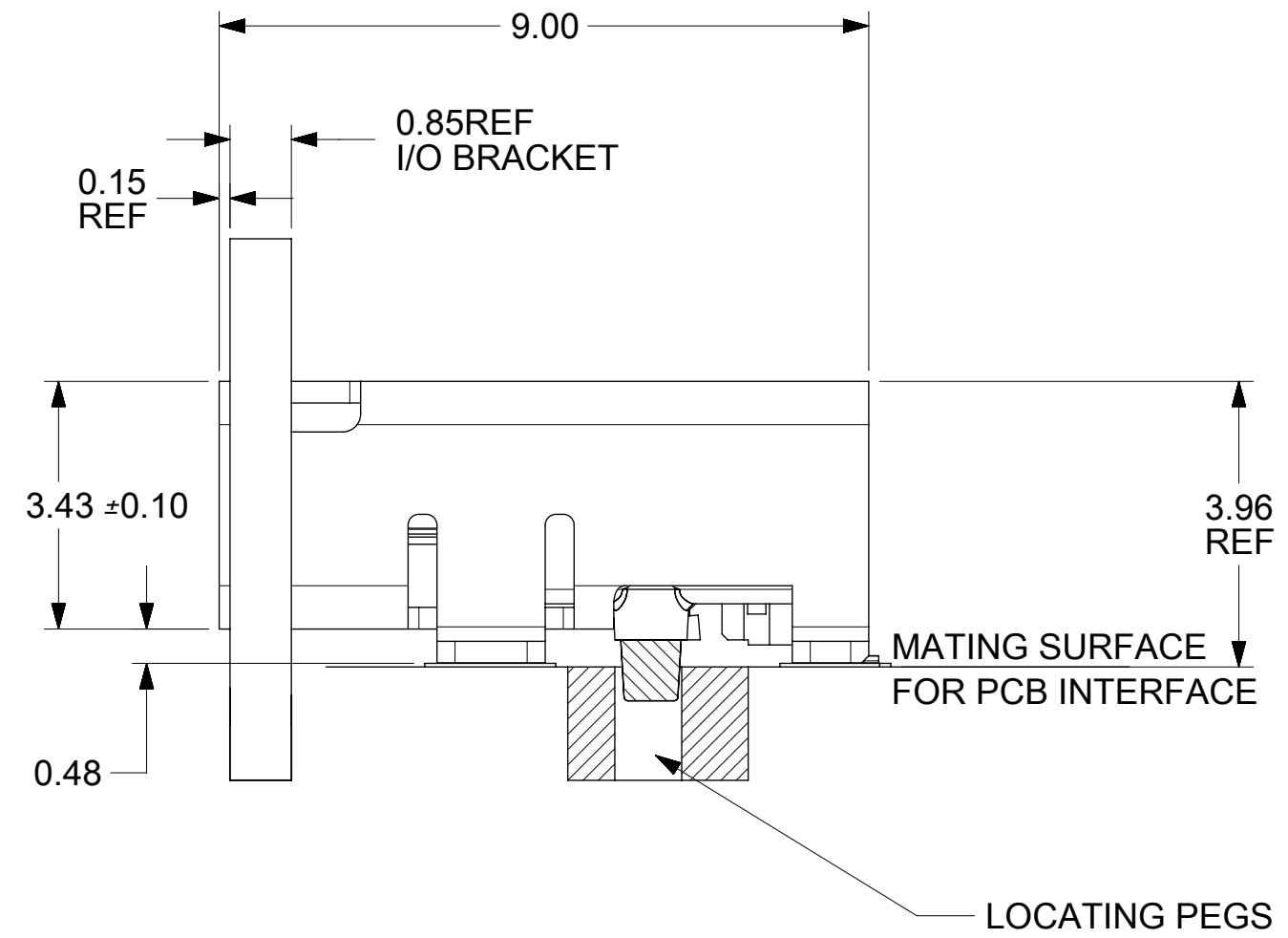
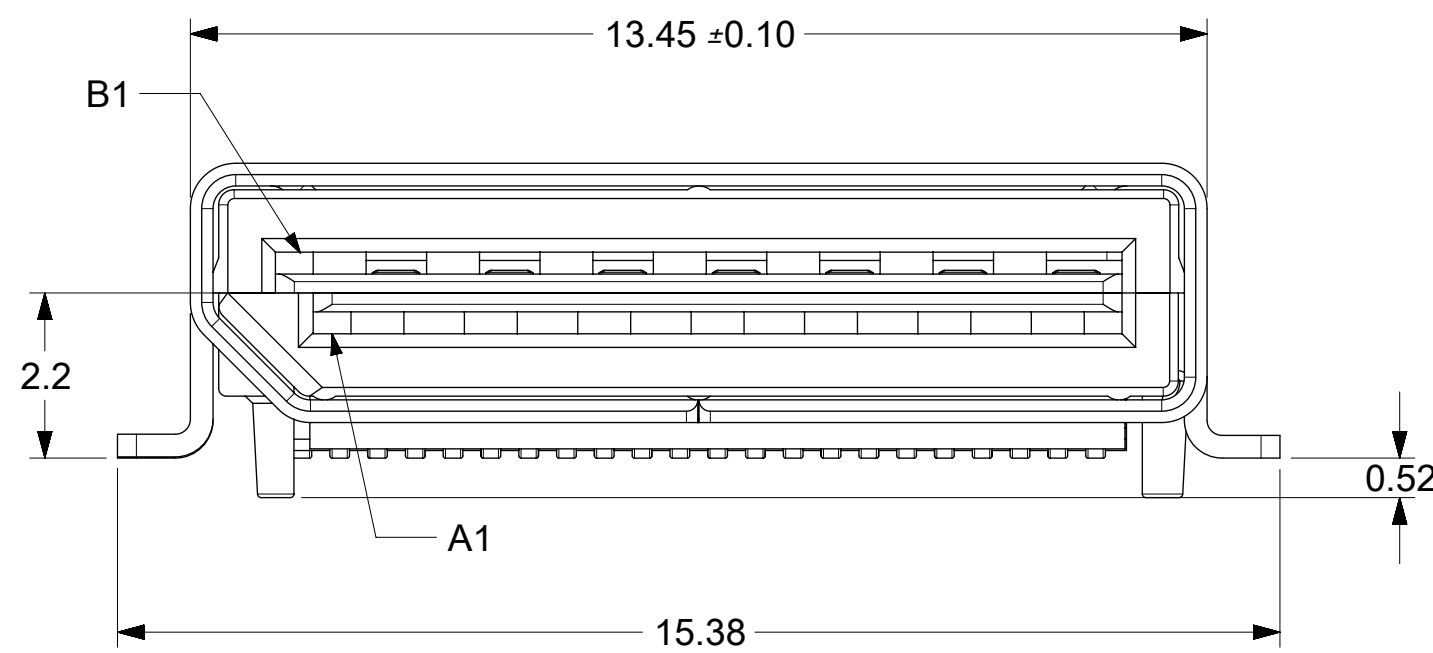
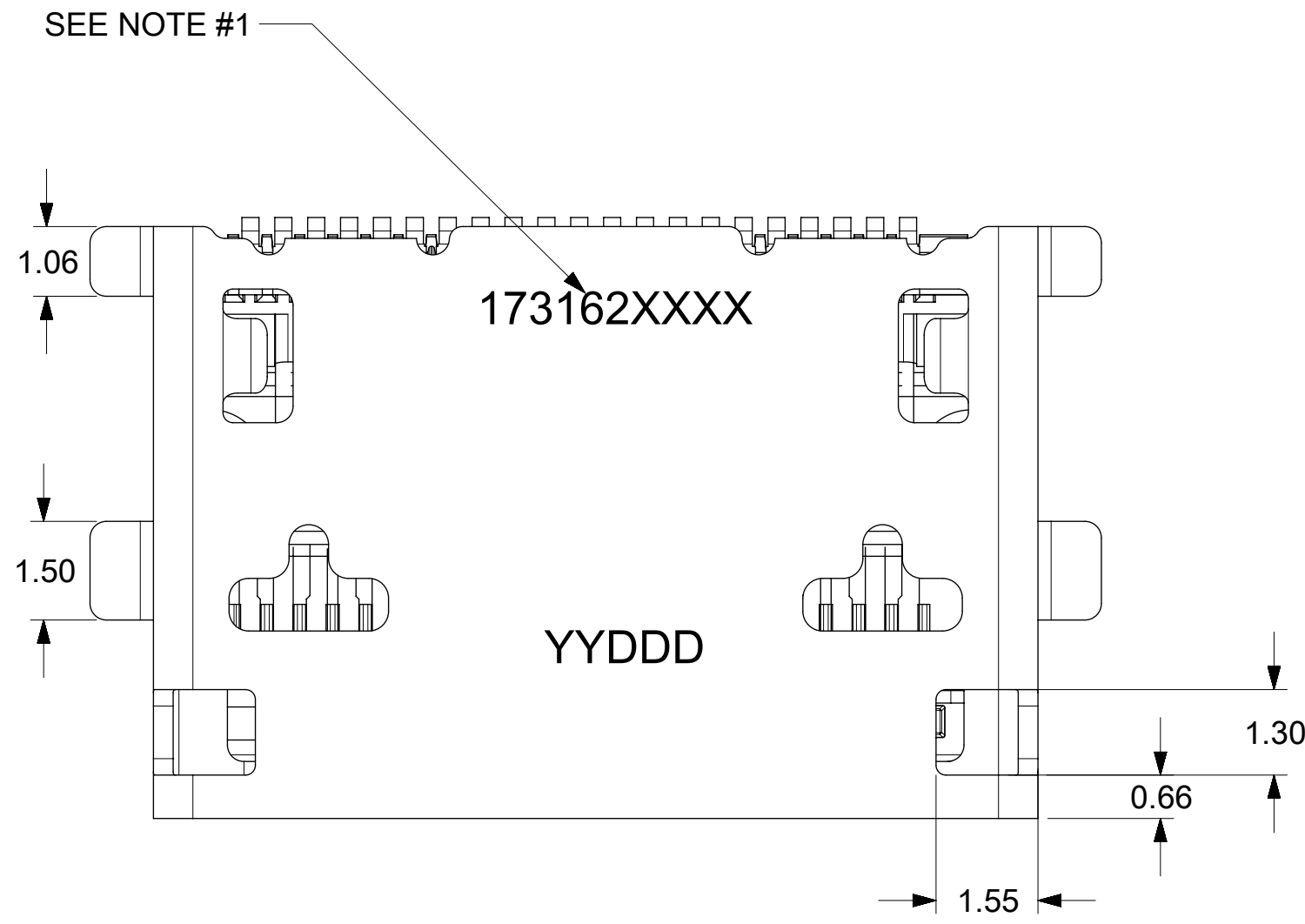
NOTES:

1. MANUFACTURED DATE CODE (JULIAN CALENDAR) AND PART NUMBER
2. SOLDER TAIL COPLANARITY, 0.10 MAX

THIS DRAWING CONTAINS INFORMATION THAT IS PROPRIETARY TO MOLEX ELECTRONIC TECHNOLOGIES, LLC AND SHOULD NOT BE USED WITHOUT WRITTEN PERMISSION

SEE REVISION TABLE	2017/05/26	GENERAL TOLERANCES (UNLESS SPECIFIED)		DIMENSION UNITS	SCALE	molex			
		MM	INCH	MM	10:1				
	EC NO:	DRWN:	CHKD:	DRWN BY	DATE	NANO PITCH I/O FIXED 25GB RIGHT ANGLE 4X AND 8X			
	D	CMN		BJANOWIAK	2015/05/11				
	REV	APPR:		CHK'D BY	DATE	PRODUCT CUSTOMER DRAWING			
			APPR BY	DATE	SERIES	MATERIAL NUMBER	CUSTOMER		
			MBANAKIS	2015/09/18	173162	SEE SHEET 1	GENERAL MARKET		
			ANGULAR TOL = 0.5	DRAWING SIZE	THIRD ANGLE PROJECTION	DOCUMENT NUMBER	DOC TYPE	DOC PART	SHEET NUMBER
			DRAFT WHERE APPLICABLE MUST REMAIN WITHIN DIMENSIONS	C		SD-173162-0001	PSD	001	3 OF 11

42 CIRCUIT SMT ASSEMBLY



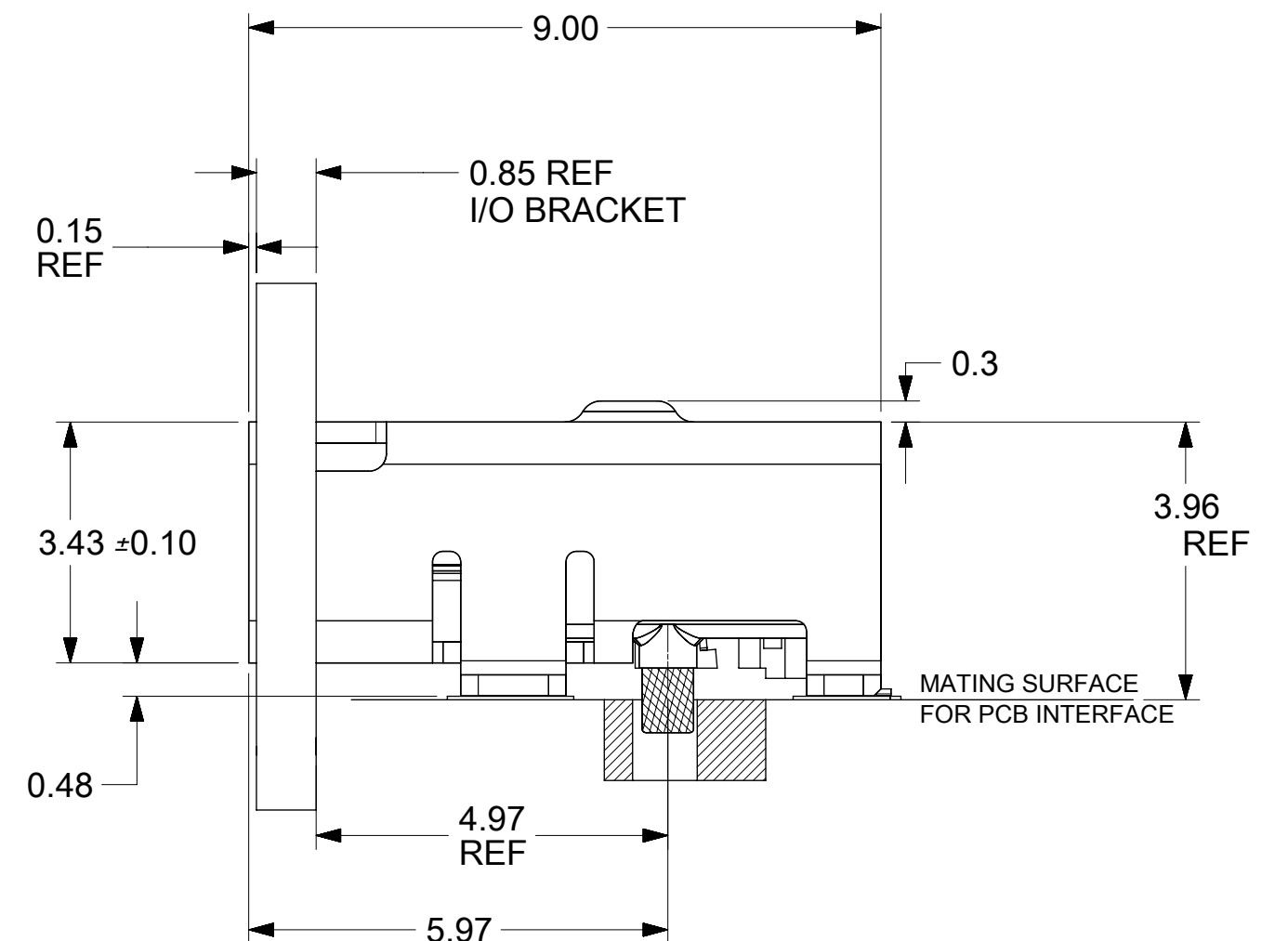
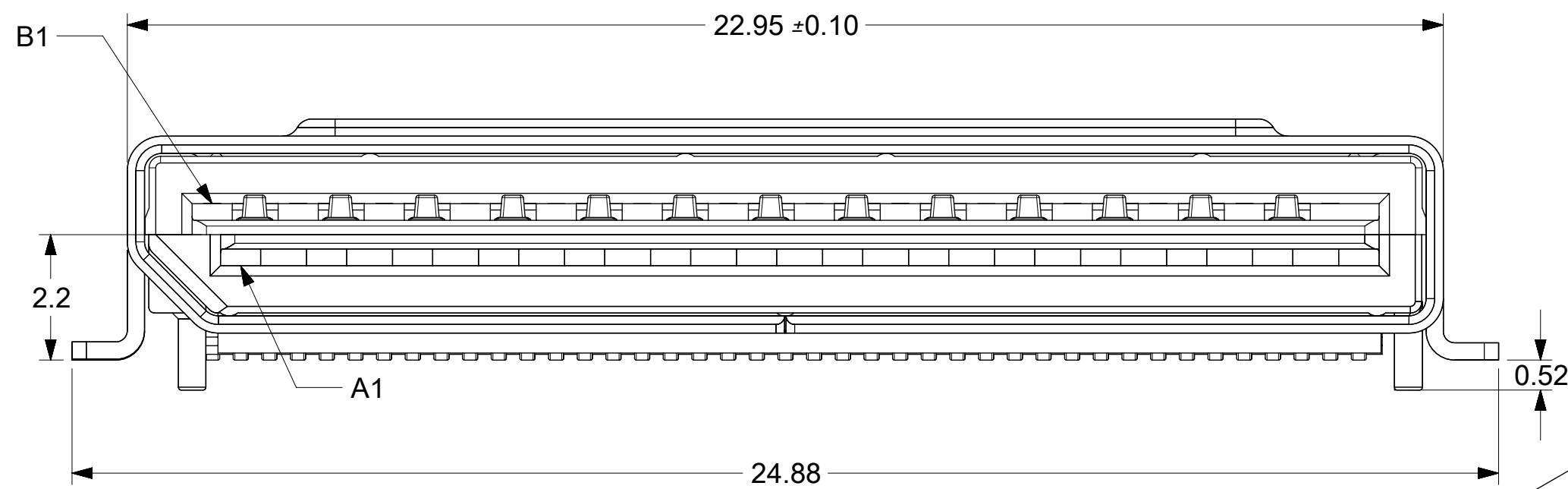
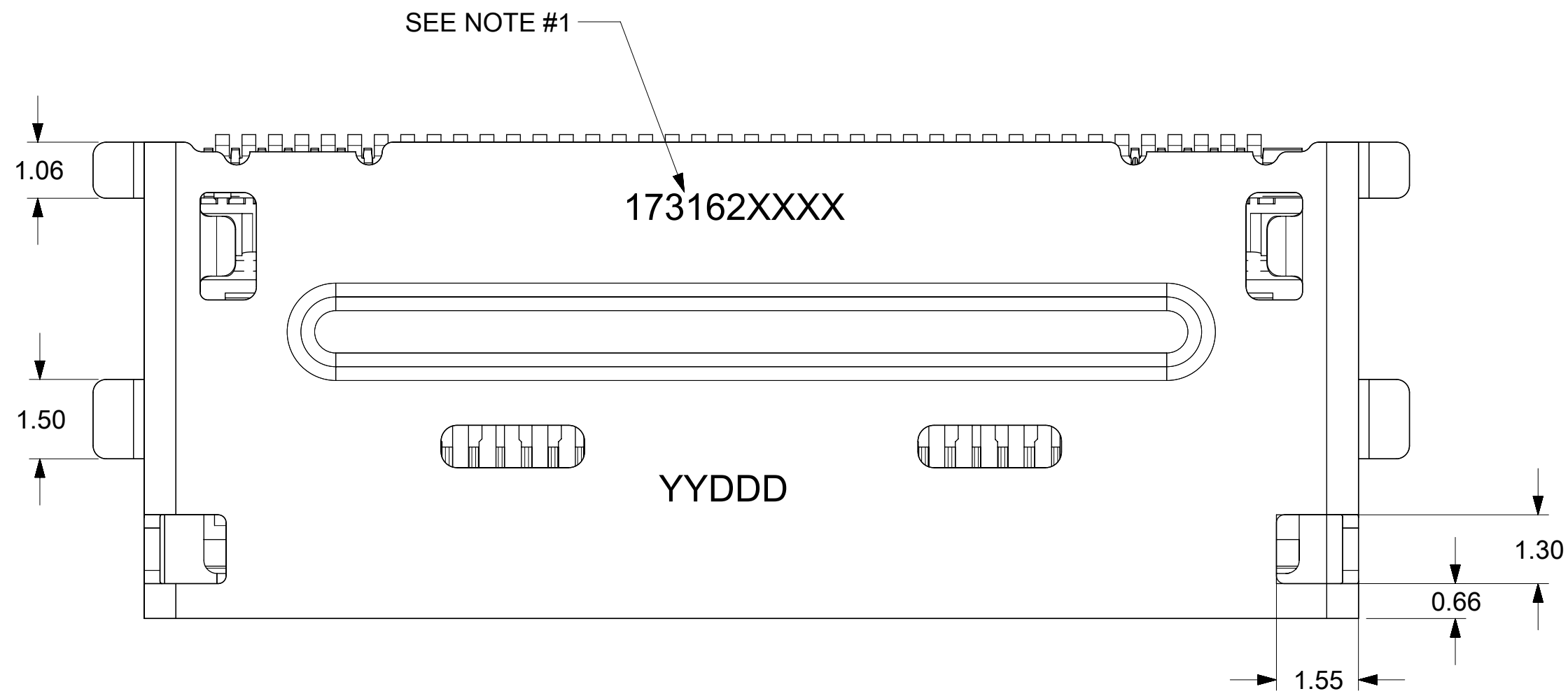
PRE-RELEASE
REFERENCE
USE ONLY

- NOTES:
1. MANUFACTURED DATE CODE (JULIAN CALENDAR) AND PART NUMBER
 2. SOLDER TAIL COPLANARITY, 0.10 MAX

THIS DRAWING CONTAINS INFORMATION THAT IS PROPRIETARY TO MOLEX ELECTRONIC TECHNOLOGIES, LLC AND SHOULD NOT BE USED WITHOUT WRITTEN PERMISSION

SEE REVISION TABLE	2017/05/26	GENERAL TOLERANCES (UNLESS SPECIFIED)		DIMENSION UNITS	SCALE	molex				
		MM	INCH	MM	10:1					
	EC NO:	DRWN: CMN	4 PLACES ±		DRWN BY	DATE	NANO PITCH I/O FIXED 25GB RIGHT ANGLE 4X AND 8X			
	CHKD:	APPR:	3 PLACES ±	BJANOWIAK	2015/05/11					
	REV:		2 PLACES ± 0.13	CHK'D BY	DATE	PRODUCT CUSTOMER DRAWING				
		1 PLACES ± 0.25	APPR BY	DATE	SERIES MATERIAL NUMBER CUSTOMER					
		0 PLACES ±	MBANAKIS	2015/09/18	173162	SEE SHEET 1	GENERAL MARKET			
		ANGULAR TOL = 0.5	DRAWING SIZE	THIRD ANGLE PROJECTION	DOCUMENT NUMBER		DOC TYPE	DOC PART	SHEET NUMBER	
		DRAFT WHERE APPLICABLE MUST REMAIN WITHIN DIMENSIONS	C		SD-173162-0001	PSD	001	4 OF 11		

80 CIRCUIT SMT ASSEMBLY



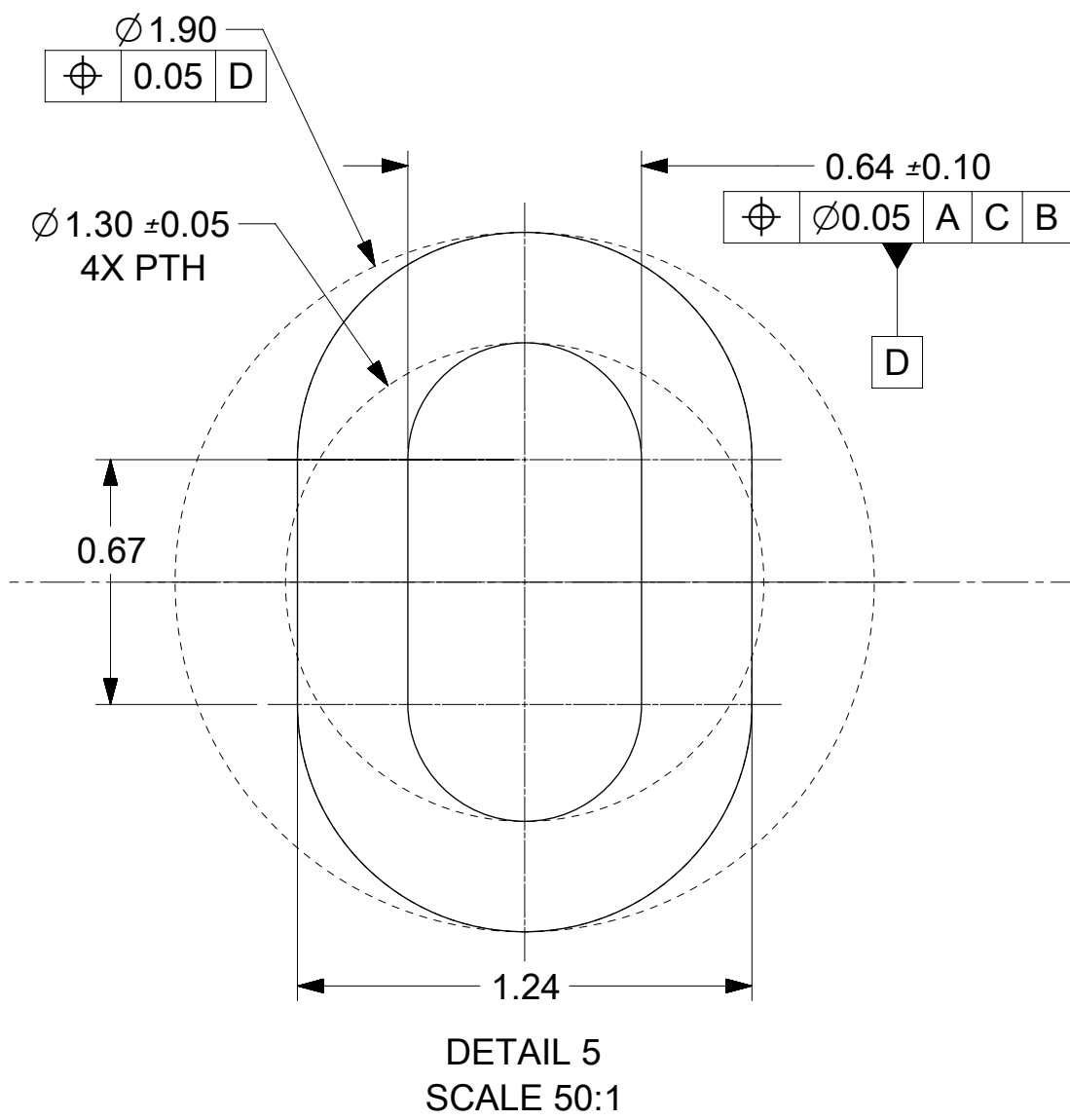
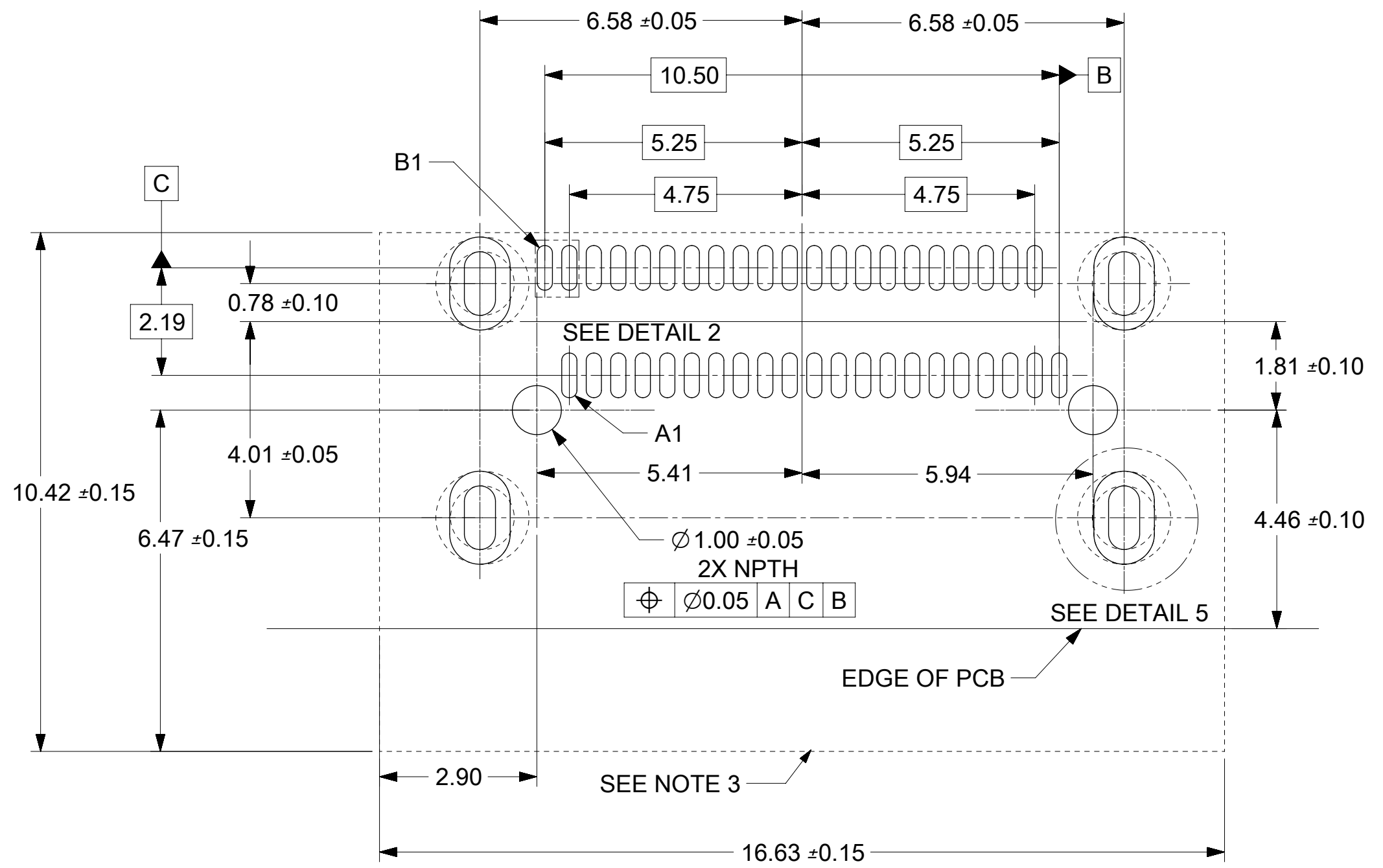
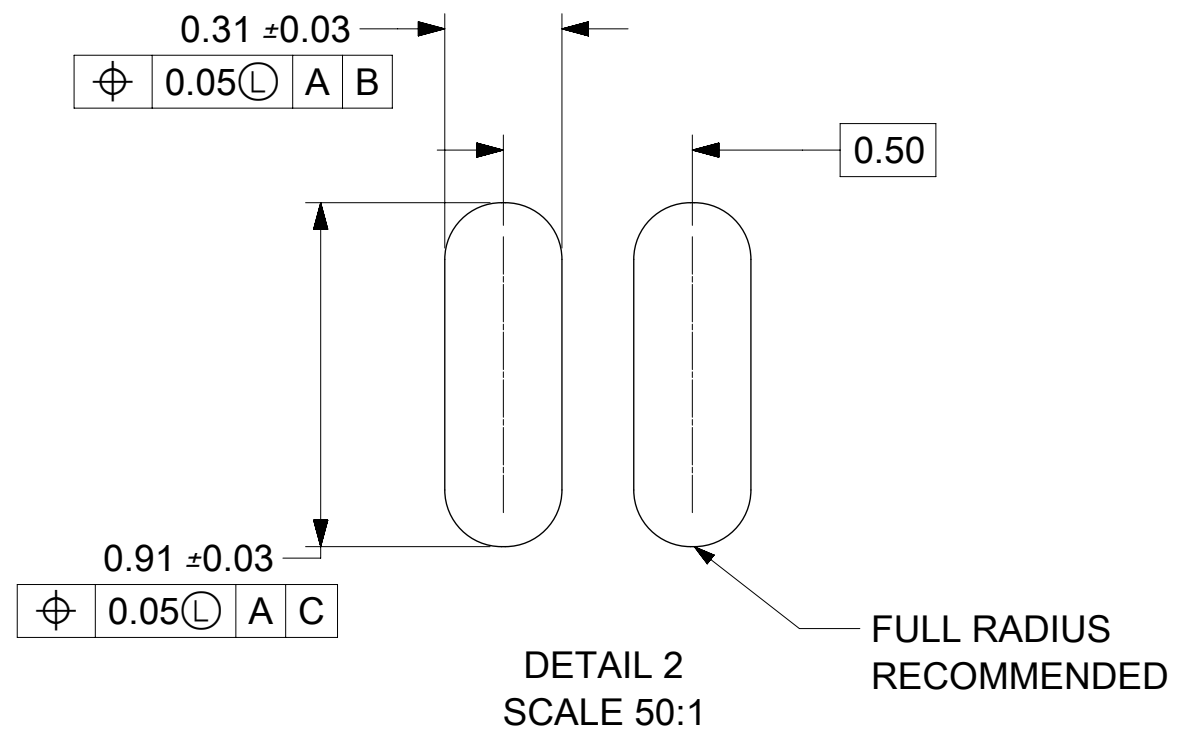
PRE-RELEASE
REFERENCE
USE ONLY

THIS DRAWING CONTAINS INFORMATION THAT IS PROPRIETARY TO MOLEX ELECTRONIC TECHNOLOGIES, LLC AND SHOULD NOT BE USED WITHOUT WRITTEN PERMISSION

SEE REVISION TABLE	2017/05/26	GENERAL TOLERANCES (UNLESS SPECIFIED)		DIMENSION UNITS	SCALE	molex				
		MM	INCH	MM	10:1					
	EC NO:	DRWN: CMN	4 PLACES ± ±		DRWN BY	DATE	NANO PITCH I/O FIXED 25GB RIGHT ANGLE 4X AND 8X			
	CHKD:	REV:	3 PLACES ± ±	BJANOWIAK	2015/05/11					
REV:	APPR:	2 PLACES ± 0.13 ±	CHK'D BY	DATE	PRODUCT CUSTOMER DRAWING					
		1 PLACES ± 0.25 ±								
		0 PLACES ± ±	APPR BY	DATE	SERIES		MATERIAL NUMBER		CUSTOMER	
		ANGULAR TOL = 0.5	MBANAKIS	2015/09/18	173162	SEE SHEET 1		GENERAL MARKET		
		DRAFT WHERE APPLICABLE MUST REMAIN WITHIN DIMENSIONS	DRAWING SIZE	THIRD ANGLE PROJECTION	DOCUMENT NUMBER		DOC TYPE	DOC PART	SHEET NUMBER	
D			C		SD-173162-0001		PSD	001	5 OF 11	

NOTES:
1. MANUFACTURED DATE CODE (JULIAN CALENDAR) AND PART NUMBER
2. SOLDER TAIL COPLANARITY, 0.10 MAX

42 CIRCUIT TAIL RECOMMENDED FOOTPRINT



PRE-RELEASE
REFERENCE
USE ONLY

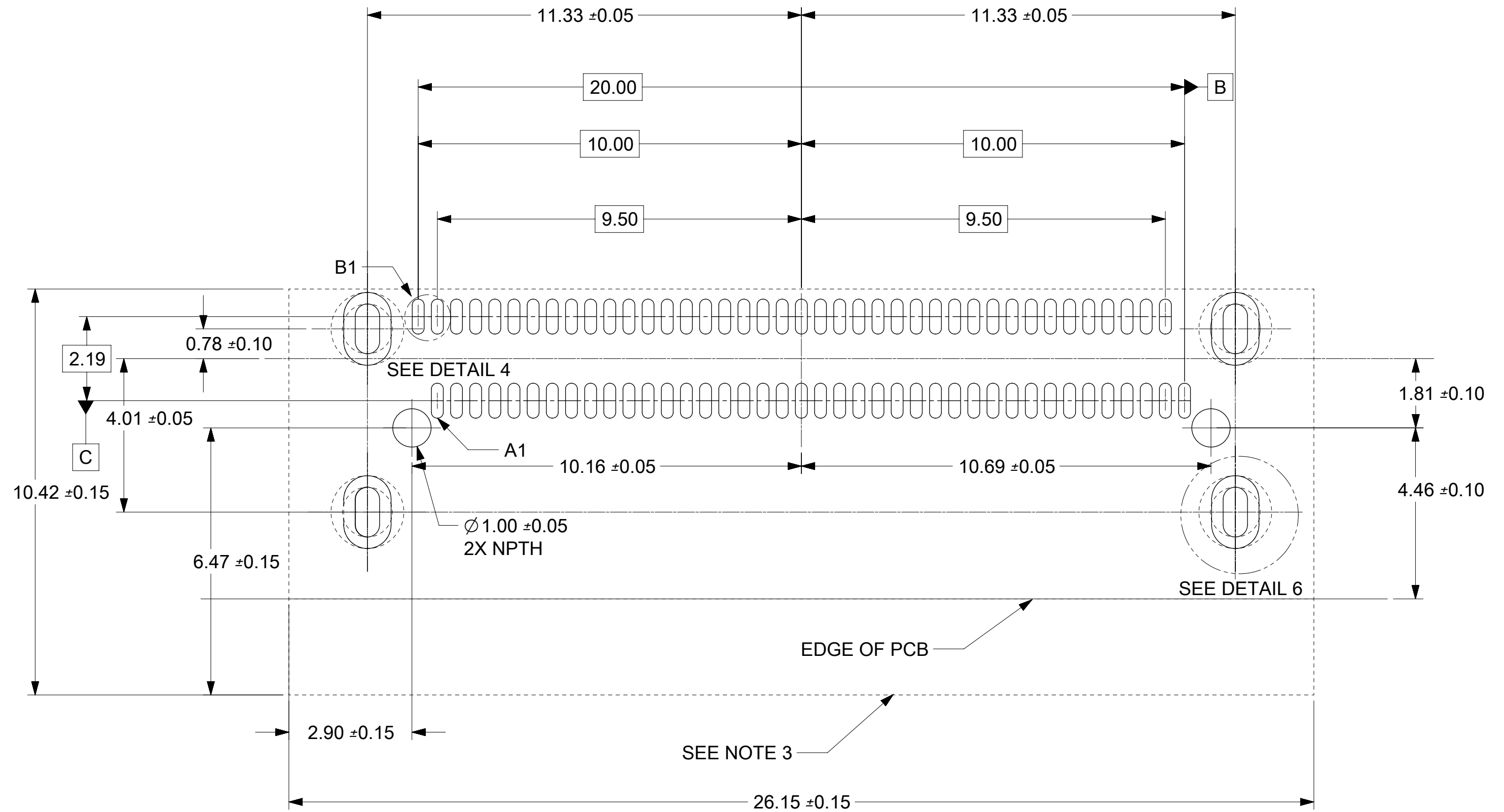
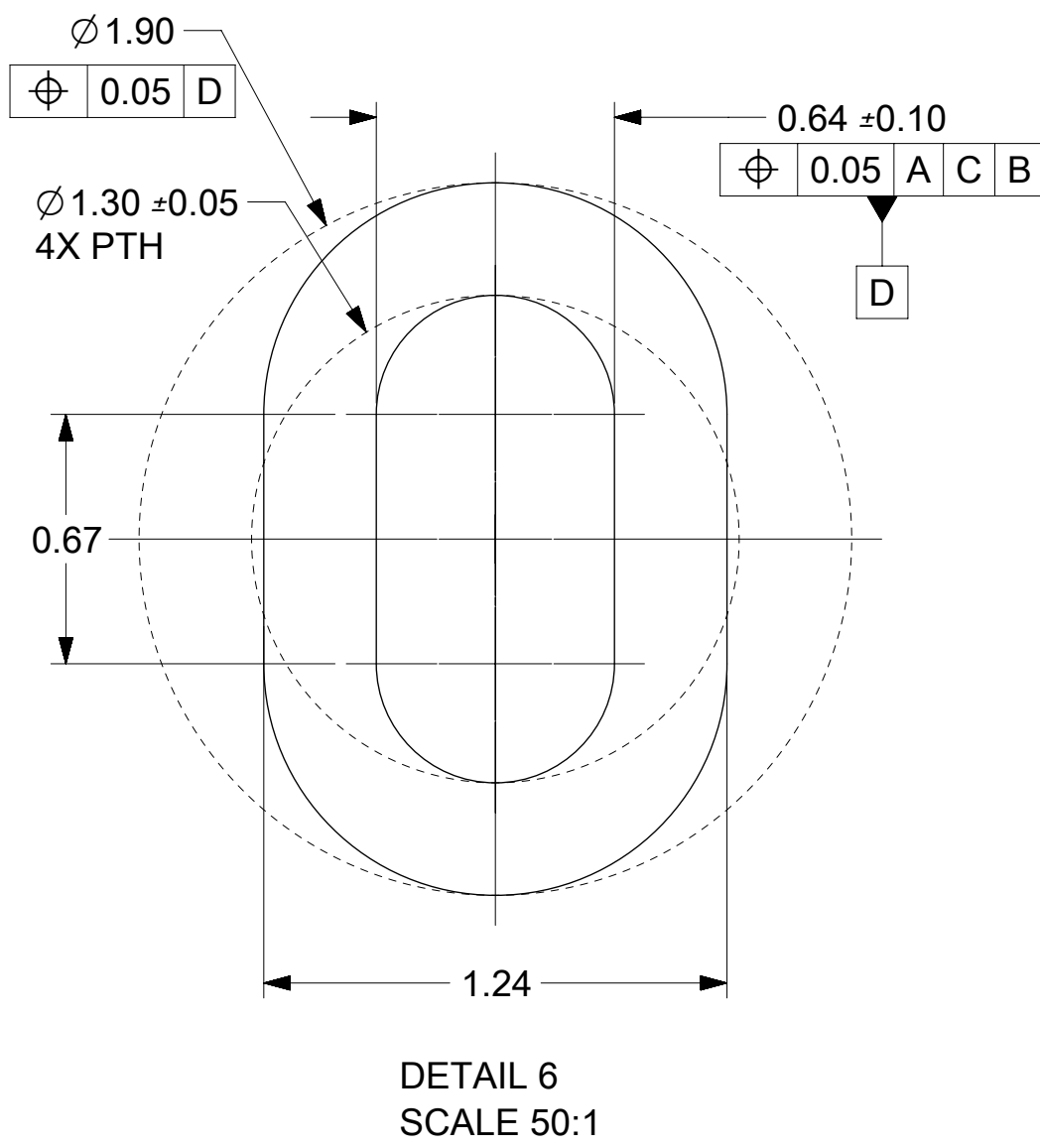
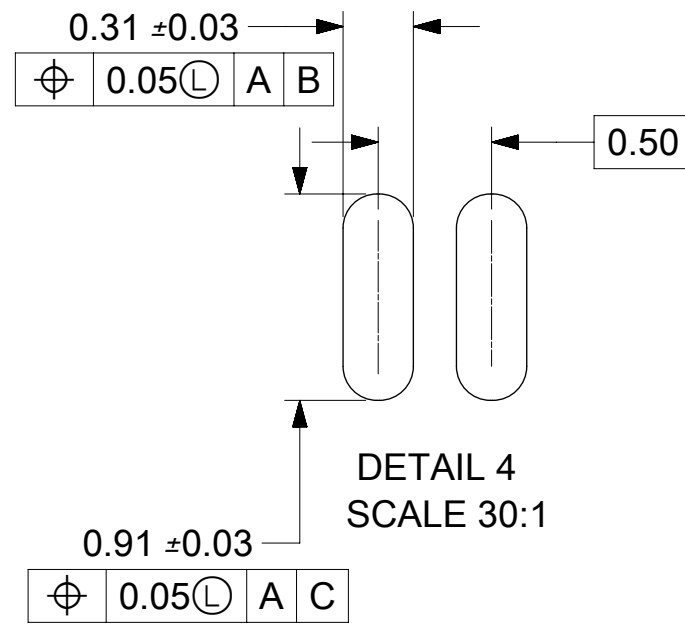
NOTES:

1. MINIMUM RECOMMENDED SPACING BETWEEN ADJACENT CONNECTOR IS 19.05mm
2. MINIMUM RECOMMENDED PCB THICKNESS: 1.57mm
3. CONNECTOR KEEP OUT AREA
4. DATUM -A- ESTABLISHED FROM TOP SURFACE OF PCB

THIS DRAWING CONTAINS INFORMATION THAT IS PROPRIETARY TO MOLEX ELECTRONIC TECHNOLOGIES, LLC AND SHOULD NOT BE USED WITHOUT WRITTEN PERMISSION

SEE REVISION TABLE	2017/05/26	GENERAL TOLERANCES (UNLESS SPECIFIED)		DIMENSION UNITS	SCALE	molex				
		MM	INCH	MM	10:1					
	EC NO: DRWN: CMN	4 PLACES	±	±	DRWN BY	DATE	NANO PITCH I/O FIXED 25GB RIGHT ANGLE 4X AND 8X			
	CHKD: CHKD:	3 PLACES	±	±	BJANOWIAK	2015/05/11				
	REV: APPR:	2 PLACES	±	0.13	±	CHK'D BY	DATE	PRODUCT CUSTOMER DRAWING		
	1 PLACES	±	0.25	±	APPR BY	DATE				
	0 PLACES	±	±	±	MBANAKIS	2015/09/18	SERIES	MATERIAL NUMBER	CUSTOMER	
		ANGULAR TOL = 0.5		DRAWING SIZE	THIRD ANGLE PROJECTION	173162	SEE SHEET 1	GENERAL MARKET		
		DRAFT WHERE APPLICABLE MUST REMAIN WITHIN DIMENSIONS		C		DOCUMENT NUMBER		DOC TYPE	DOC PART	SHEET NUMBER
						SD-173162-0001	PSD	001	6 OF 11	

80 CIRCUIT TAIL RECOMMENDED FOOTPRINT

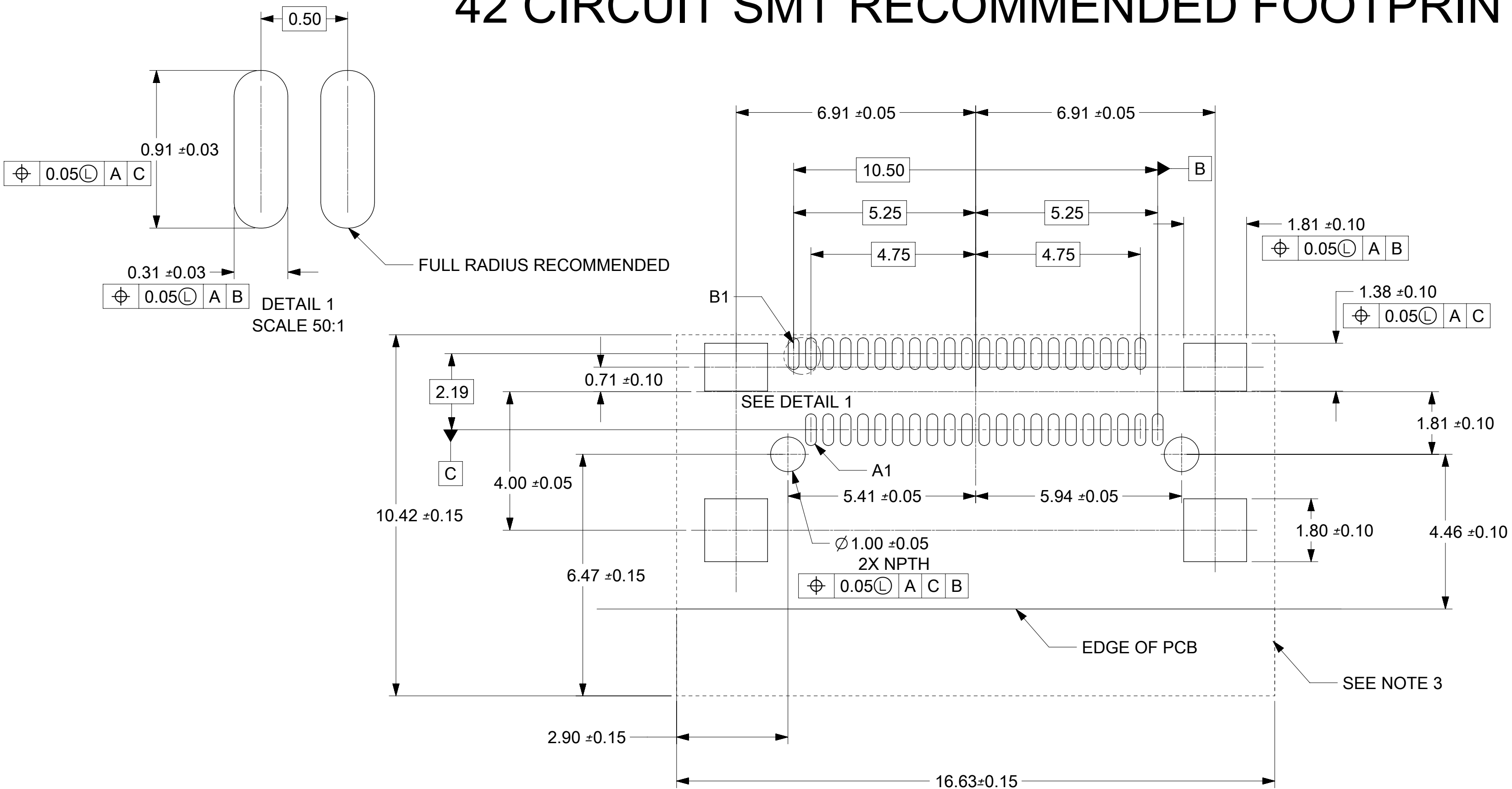


PRE-RELEASE
REFERENCE
USE ONLY

- NOTES:
1. MINIMUM RECOMMENDED SPACING BETWEEN ADJACENT CONNECTOR IS 28.50mm
 2. MINIMUM RECOMMENDED PCB THICKNESS: 1.57mm
 3. CONNECTOR KEEP OUT AREA
 4. DATUM -A- ESTABLISHED FROM TOP SURFACE OF PCB

THIS DRAWING CONTAINS INFORMATION THAT IS PROPRIETARY TO MOLEX ELECTRONIC TECHNOLOGIES, LLC AND SHOULD NOT BE USED WITHOUT WRITTEN PERMISSION										
SEE REVISION TABLE	2017/05/26	GENERAL TOLERANCES (UNLESS SPECIFIED)		DIMENSION UNITS	SCALE	molex				
		MM	INCH	MM	10:1					
		4 PLACES	±	±	DRWN BY	DATE	NANO PITCH I/O FIXED 25GB RIGHT ANGLE 4X AND 8X			
		3 PLACES	±	±	BJANOWIAK	2015/05/11				
		2 PLACES	±	0.13	±	CHK'D BY	DATE	PRODUCT CUSTOMER DRAWING		
1 PLACES	±	0.25	±	APPR BY	DATE					
0 PLACES	±	±	±	MBANAKIS	2015/09/18	SERIES	MATERIAL NUMBER	CUSTOMER		
ANGULAR TOL = 0.5	DRAWING SIZE	THIRD ANGLE PROJECTION	173162		SEE SHEET 1	GENERAL MARKET				
DRAFT WHERE APPLICABLE MUST REMAIN WITHIN DIMENSIONS	C		DOCUMENT NUMBER		SD-173162-0001	DOC TYPE	DOC PART	SHEET NUMBER		
					PSD	001	7 OF 11			

42 CIRCUIT SMT RECOMMENDED FOOTPRINT

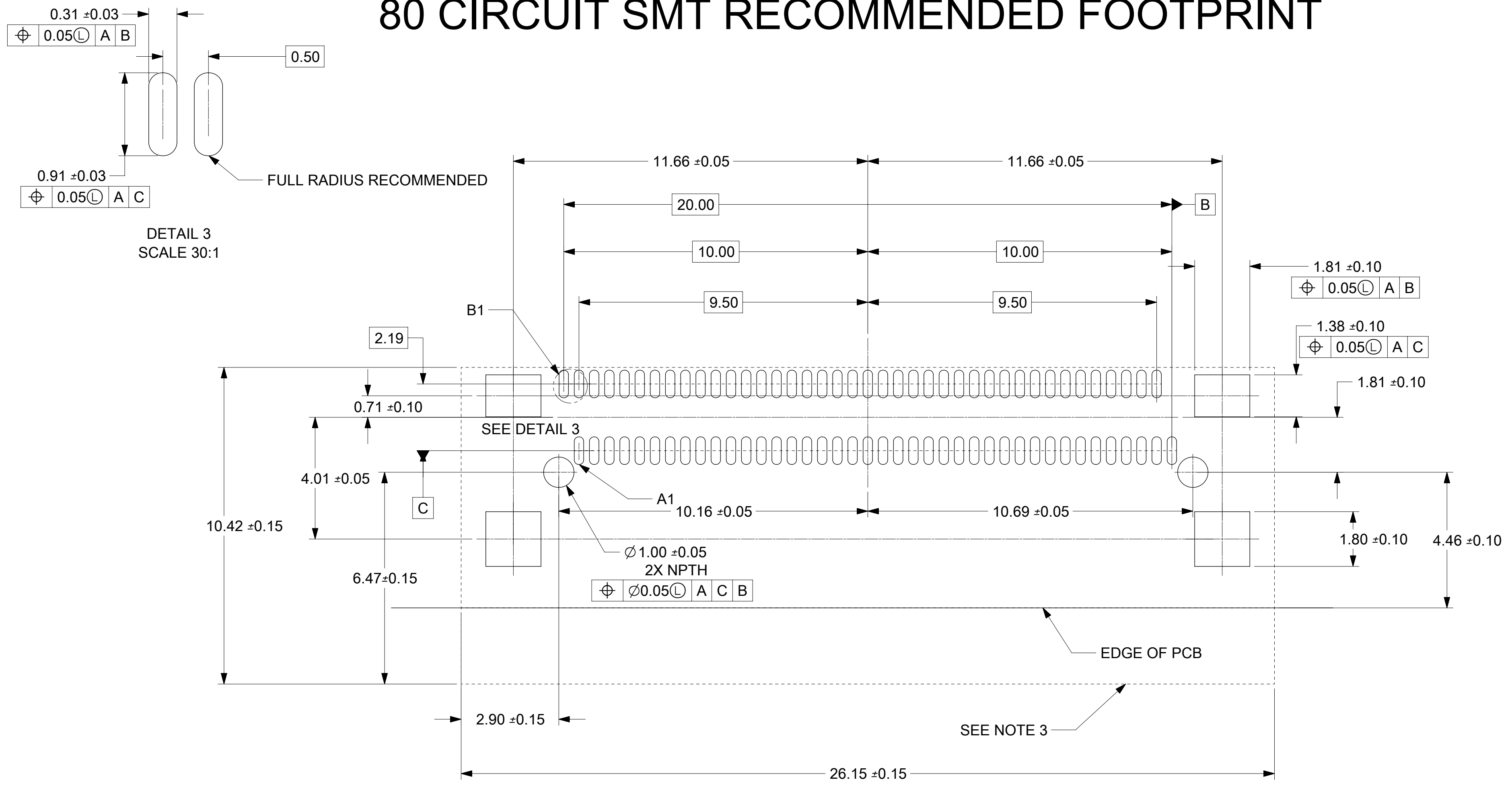


- NOTES:
1. MINIMUM RECOMMENDED SPACING BETWEEN ADJACENT CONNECTOR IS 19.05mm
 2. MINIMUM RECOMMENDED PCB THICKNESS: 1.57mm
 3. CONNECTOR KEEP OUT AREA
 4. DATUM -A- ESTABLISHED FROM TOP SURFACE OF PCB

PRE-RELEASE
REFERENCE
USE ONLY

THIS DRAWING CONTAINS INFORMATION THAT IS PROPRIETARY TO MOLEX ELECTRONIC TECHNOLOGIES, LLC AND SHOULD NOT BE USED WITHOUT WRITTEN PERMISSION										
SEE REVISION TABLE	2017/05/26	GENERAL TOLERANCES (UNLESS SPECIFIED)		DIMENSION UNITS	SCALE					
				MM	10:1					
				INCH						
		4 PLACES	±	±	DRWN BY	DATE	NANO PITCH I/O FIXED 25GB RIGHT ANGLE 4X AND 8X			
		3 PLACES	±	±	BJANOWIAK	2015/05/11				
		2 PLACES	±	0.13	±	CHK'D BY				
1 PLACES	±	0.25	±	APPR BY	DATE	PRODUCT CUSTOMER DRAWING				
0 PLACES	±	±	MBANAKIS	2015/09/18						
			ANGULAR TOL = 0.5	DRAWING SIZE	THIRD ANGLE PROJECTION	SERIES	MATERIAL NUMBER	CUSTOMER		
			DRAFT WHERE APPLICABLE MUST REMAIN WITHIN DIMENSIONS	C		173162	SEE SHEET 1	GENERAL MARKET		
						DOCUMENT NUMBER	DOC TYPE	DOC PART	SHEET NUMBER	
						SD-173162-0001	PSD	001	8 OF 11	

80 CIRCUIT SMT RECOMMENDED FOOTPRINT

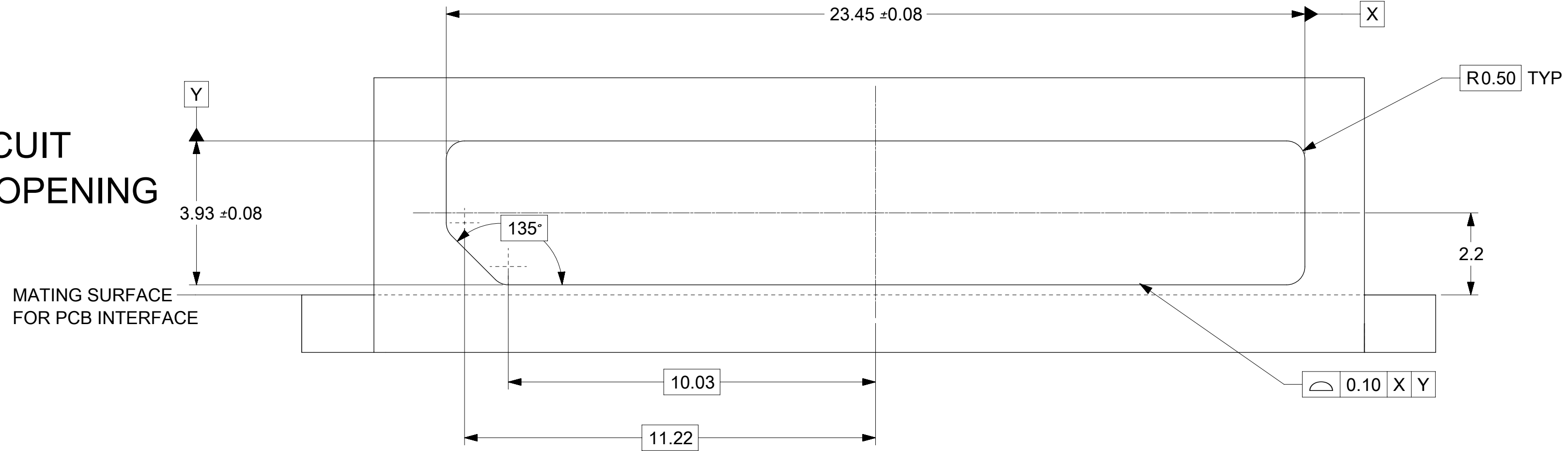


PRE-RELEASE
REFERENCE
USE ONLY

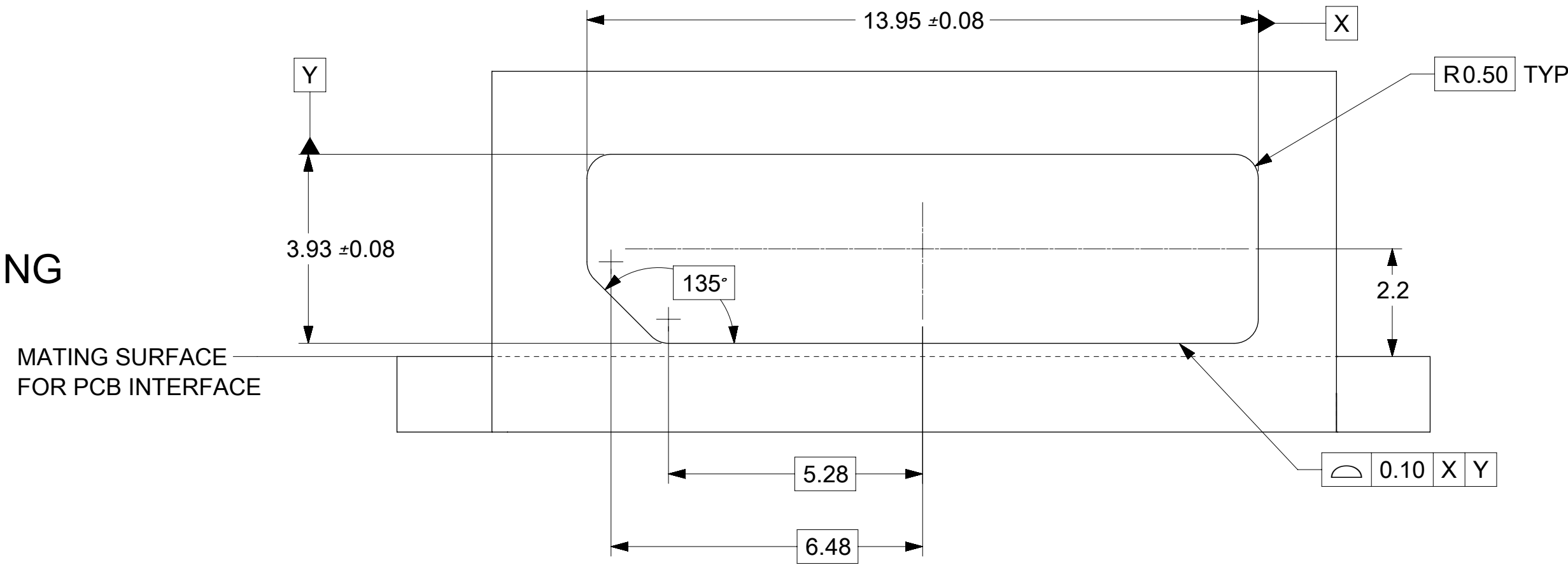
- NOTES:
1. MINIMUM RECOMMENDED SPACING BETWEEN ADJACENT CONNECTOR IS 28.50mm
 2. MINIMUM RECOMMENDED PCB THICKNESS: 1.57mm
 3. CONNECTOR KEEP OUT AREA
 4. DATUM -A- ESTABLISHED FROM TOP SURFACE OF PCB

THIS DRAWING CONTAINS INFORMATION THAT IS PROPRIETARY TO MOLEX ELECTRONIC TECHNOLOGIES, LLC AND SHOULD NOT BE USED WITHOUT WRITTEN PERMISSION												
SEE REVISION TABLE	2017/05/26	GENERAL TOLERANCES (UNLESS SPECIFIED)		DIMENSION UNITS		SCALE						
		MM	INCH	MM	INCH	MM	10:1					
		4 PLACES	±	±	DRWN BY	DATE	BJANOWIAK		2015/05/11		NANO PITCH I/O FIXED 25GB RIGHT ANGLE 4X AND 8X	
		3 PLACES	±	±	CHK'D BY	DATE						
		2 PLACES	±	0.13	±	APPR BY	DATE	MBANAKIS		2015/09/18		
1 PLACES	±	0.25	±	ANGULAR TOL = 0.5		DRAWING SIZE		THIRD ANGLE PROJECTION		PRODUCT CUSTOMER DRAWING		
0 PLACES	±	±	DRAFT WHERE APPLICABLE MUST REMAIN WITHIN DIMENSIONS		C				SERIES: 173162 MATERIAL NUMBER: SEE SHEET 1 CUSTOMER: GENERAL MARKET			
DOCUMENT NUMBER		DOC TYPE		DOC PART		SHEET NUMBER		SD-173162-0001 PSD 001 9 OF 11				

80 CIRCUIT PANEL OPENING



42 CIRCUIT PANEL OPENING



PRE-RELEASE
REFERENCE
USE ONLY


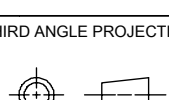
THIS DRAWING CONTAINS INFORMATION THAT IS PROPRIETARY TO MOLEX ELECTRONIC TECHNOLOGIES, LLC AND SHOULD NOT BE USED WITHOUT WRITTEN PERMISSION

SEE REVISION TABLE	2017/05/26	GENERAL TOLERANCES (UNLESS SPECIFIED)		DIMENSION UNITS	SCALE		
	EC NO: DRWN: CMN CHKD: REV / APPR:	MM	INCH	MM	10:1		
		4 PLACES ±	±	DRWN BY	DATE		
		3 PLACES ±	±	BJANOWIAK	2015/05/11		
		2 PLACES ±	0.13 ±	CHK'D BY	DATE		
1 PLACES ±	0.25 ±	APPR BY	DATE				
0 PLACES ±	±	MBANAKIS	2015/09/18	PRODUCT CUSTOMER DRAWING			
ANGULAR TOL = 0.5		DRAWING SIZE	THIRD ANGLE PROJECTION	SERIES	MATERIAL NUMBER	CUSTOMER	
DRAFT WHERE APPLICABLE MUST REMAIN WITHIN DIMENSIONS		C		173162	SEE SHEET 1	GENERAL MARKET	
				DOCUMENT NUMBER	DOC TYPE	DOC PART	SHEET NUMBER
				SD-173162-0001	PSD	001	10 OF 11

DATE	REVISION	DESCRIPTION
10/20/2017	D	REMASTERED IN ECTR, REMOVE INSPECTION WINDOWS FOR 80 CIRCUIT SMT AND TH SHELLS

PRE-RELEASE
REFERENCE
USE ONLY

THIS DRAWING CONTAINS INFORMATION THAT IS PROPRIETARY TO MOLEX ELECTRONIC TECHNOLOGIES, LLC AND SHOULD NOT BE USED WITHOUT WRITTEN PERMISSION

SEE REVISION TABLE EC NO: 2017/05/26 DRWN: CMN CHKD: REV / APPR:	GENERAL TOLERANCES (UNLESS SPECIFIED)		DIMENSION UNITS	SCALE	 NANO PITCH I/O FIXED 25GB RIGHT ANGLE 4X AND 8X PRODUCT CUSTOMER DRAWING							
	ANGULAR TOL ± 0.5 °		mm	1:1								
	4 PLACES ±	DRWN BY	DATE	SVANG01 2016/12/06								
	3 PLACES ±	CHKD BY	DATE	CHKD BY								
	2 PLACES ± 0.13	APPR BY	DATE	TMCCLELL 2017/04/24								
1 PLACE ± 0.25	DRAFT WHERE APPLICABLE MUST REMAIN WITHIN DIMENSIONS		DRAWING SIZE	THIRD ANGLE PROJECTION	SERIES	MATERIAL NUMBER	CUSTOMER					
0 PLACES ±	C			173162	SEE TABLE	GENERAL MARKET						
RELEASE STATUS		ER	RELEASE DATE	20.10.2017 22:17:40	DOCUMENT NUMBER		DOC TYPE	DOC PART	SHEET NUMBER			
12		11	10	9	8	7	6	5	4	3	2	1