



Chipsmall Limited consists of a professional team with an average of over 10 year of expertise in the distribution of electronic components. Based in Hongkong, we have already established firm and mutual-benefit business relationships with customers from,Europe,America and south Asia,supplying obsolete and hard-to-find components to meet their specific needs.

With the principle of “Quality Parts,Customers Priority,Honest Operation,and Considerate Service”,our business mainly focus on the distribution of electronic components. Line cards we deal with include Microchip,ALPS,ROHM,Xilinx,Pulse,ON,Everlight and Freescale. Main products comprise IC,Modules,Potentiometer,IC Socket,Relay,Connector.Our parts cover such applications as commercial,industrial, and automotives areas.

We are looking forward to setting up business relationship with you and hope to provide you with the best service and solution. Let us make a better world for our industry!



Contact us

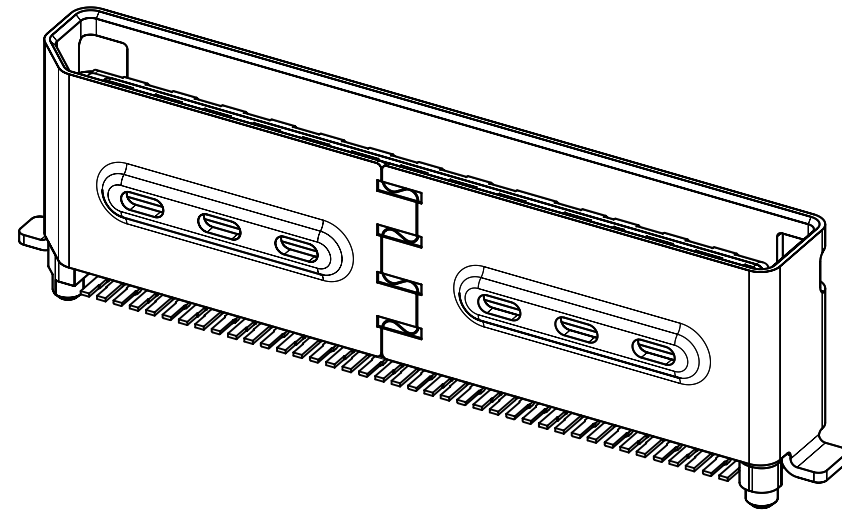
Tel: +86-755-8981 8866 Fax: +86-755-8427 6832

Email & Skype: info@chipsmall.com Web: www.chipsmall.com

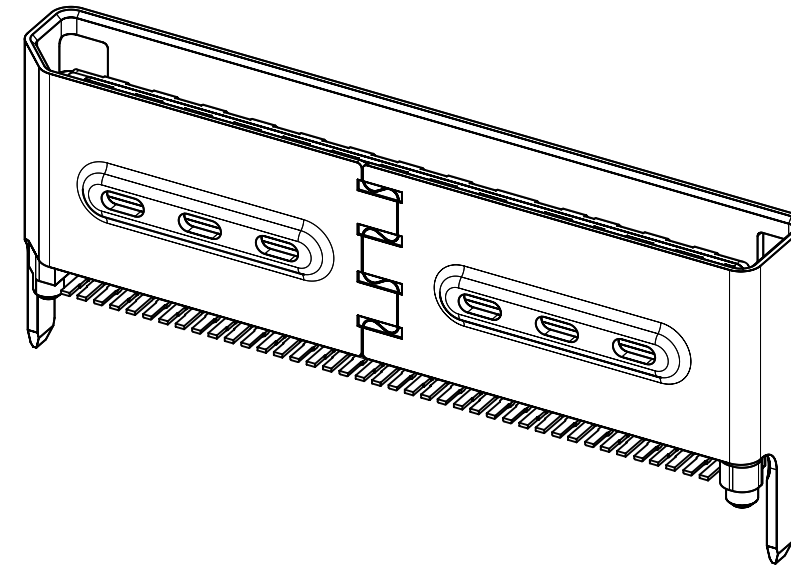
Address: A1208, Overseas Decoration Building, #122 Zhenhua RD., Futian, Shenzhen, China



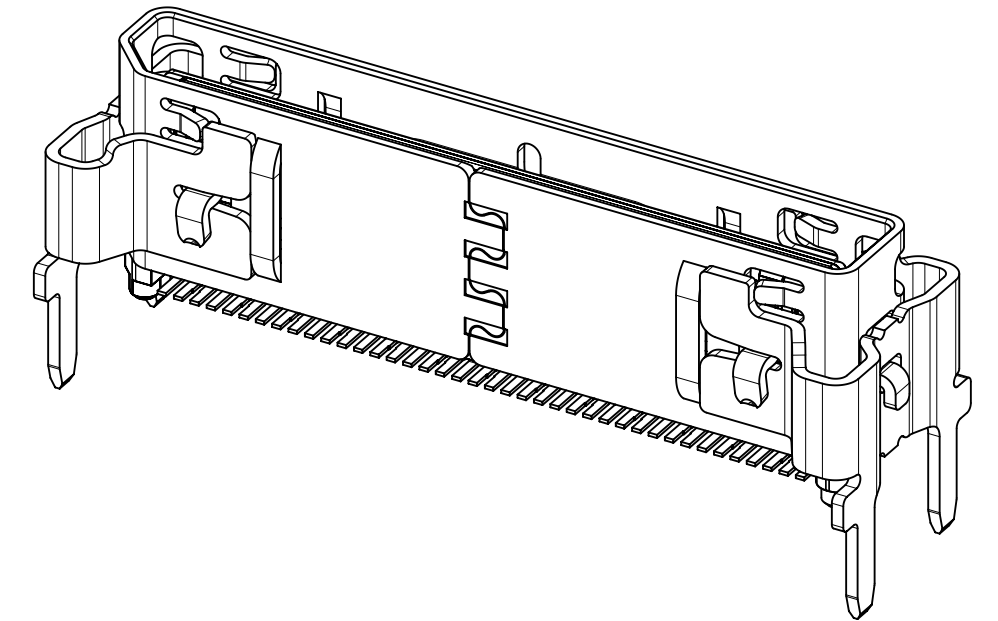
STATUS	MATERIAL NUMBER	GND TERMINAL OPTION	PICK AND PLACE CAP COLOR	DIM 'T'
TOOLED	173162-0331	SMT	N/A	N/A
TOOLED	173162-0332	TAIL	N/A	3.00
TOOLED	173162-0333	SMT	BLACK	N/A
TOOLED	173162-0334	TAIL	BLACK	3.00
NOT TOOLED	173162-0335	TAIL	BLACK	2.36
NOT TOOLED	173162-0336	TAIL	BLACK	1.57
TOOLED	173162-0338	XD	BLACK	3.00
NOT TOOLED	173162-0339	XD	BLACK	2.36
NOT TOOLED	173162-0340	XD	BLACK	1.57



80 CIRCUIT SMT



80 CIRCUIT TAIL



80 CIRCUIT XD

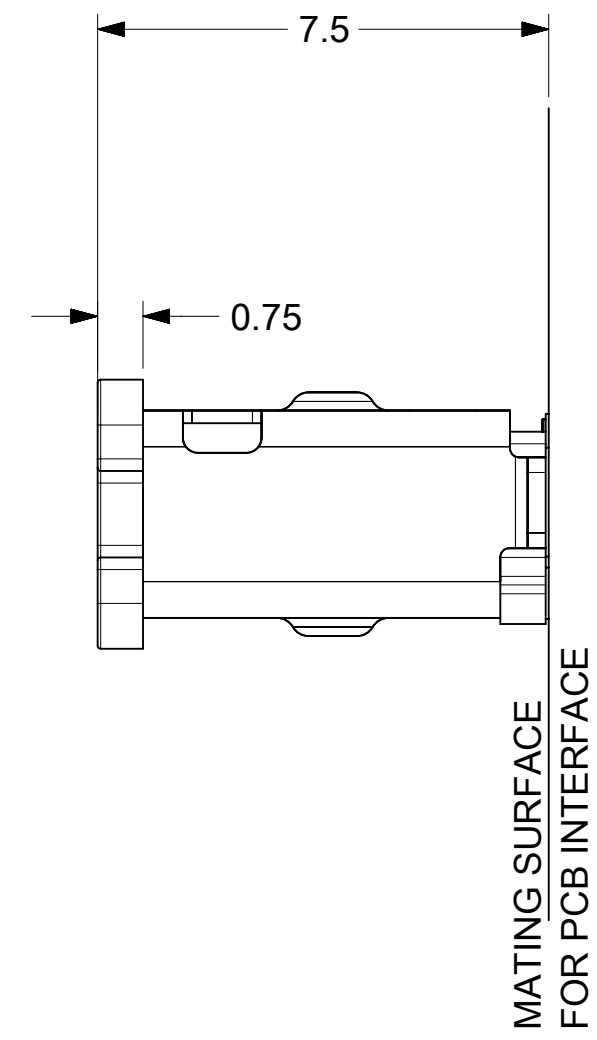
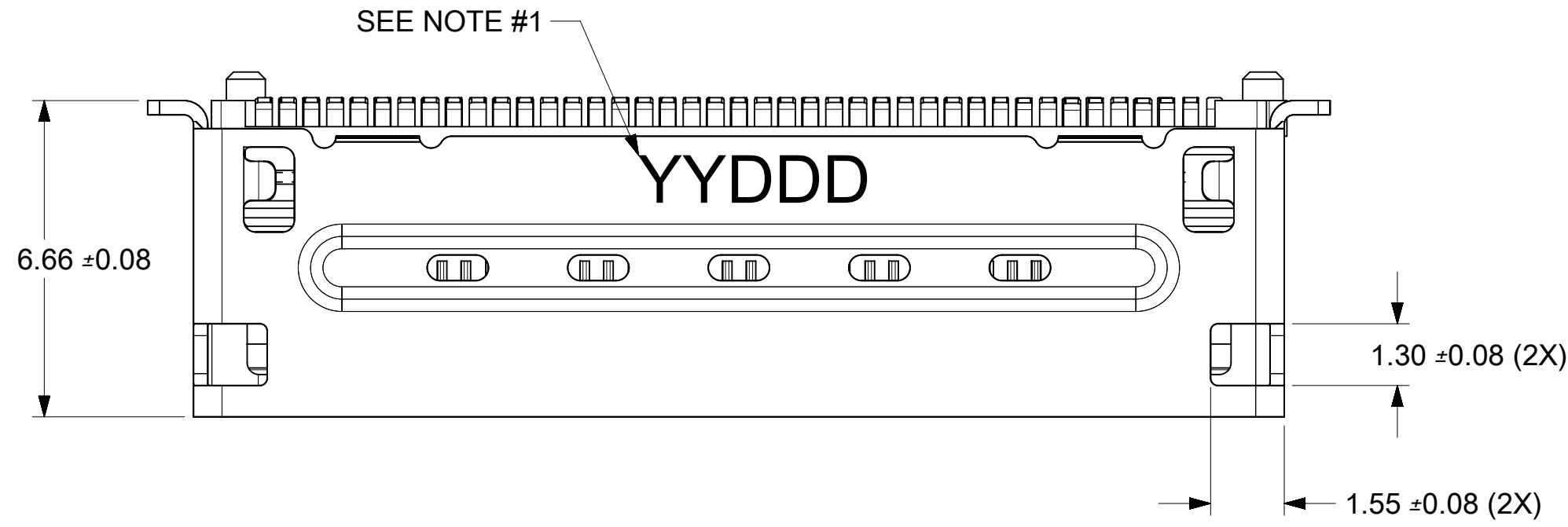
NOTES:

- MATERIALS:
HOUSING - GLASS FILLED THERMOPLASTIC, 94V-0
CONTACTS - HIGH PERFORMANCE COPPER ALLOY
SHIELD - STAINLESS STEEL
- FINISH:
CONTACTS - 0.76µm MIN. GOLD MATING SIDE
2.54µm TIN ON SOLDER TAILS
2.0µm MIN. NICKEL UNDERPLATE OVERALL

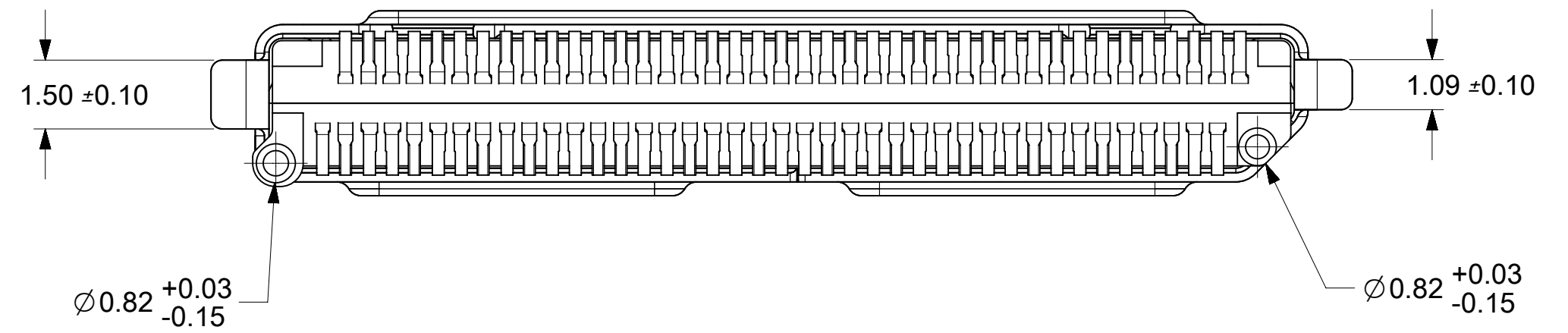
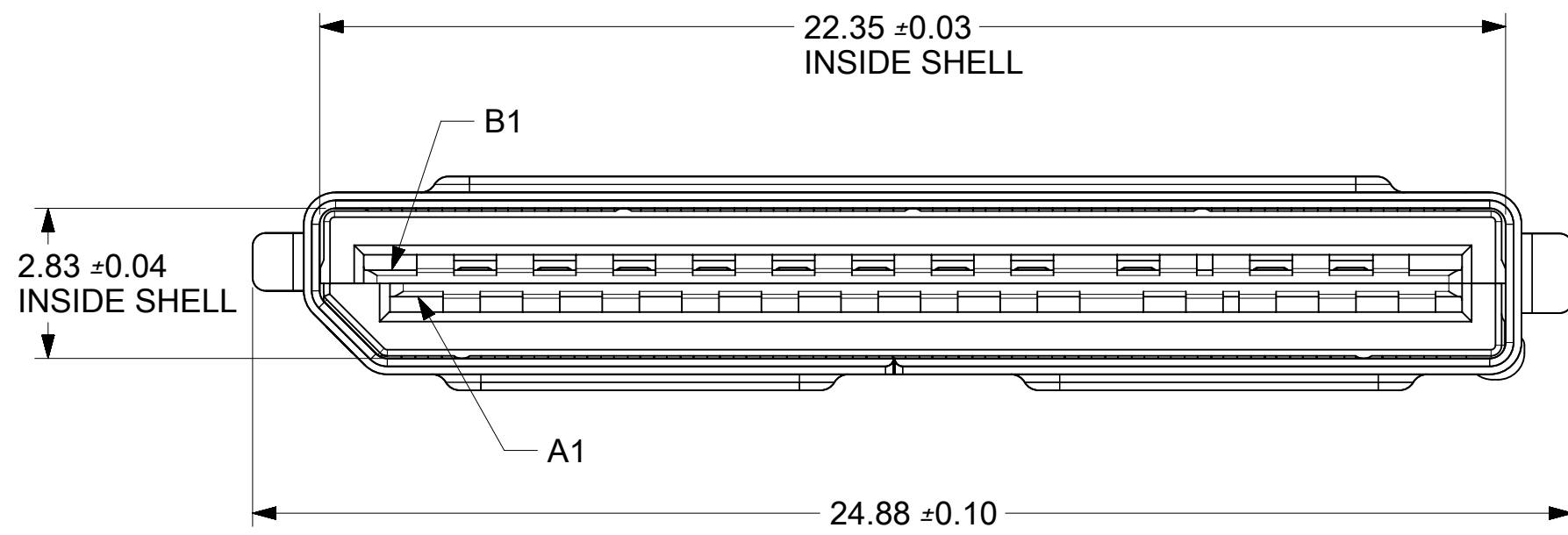
SHIELD - MATTE TIN OVER 1.27µm MIN. NICKEL
- PRODUCT SPECIFICATION: PS-173162-0001
- PACKAGING SPECIFICATION: PK-173307-0001
- MATES WITH: MOLEX CABLE SERIES 200226 OR 200227
PER INDUSTRY STANDARD PCIe OCuLink 1.0, SFF-8611
- APPLICATION SPECIFICATION: AS-173162-0001
- COSMETIC SPECIFICATION: PS-45499-002, CLASS B
- DATE CODE TO BE LOCATED APPROXIMATELY AS SHOWN, DATE CODE TO SHOW THE DATE AND YEAR OF ASSEMBLY (DDYY OR YYDD)

THIS DRAWING CONTAINS INFORMATION THAT IS PROPRIETARY TO MOLEX ELECTRONIC TECHNOLOGIES, LLC AND SHOULD NOT BE USED WITHOUT WRITTEN PERMISSION									
REMASTERED IN ECTR EC NO: 167964 DRWN: MJANTELEZIO CHKD: CCHEN103 REV / APPR: JKACHLIC	GENERAL TOLERANCES (UNLESS SPECIFIED)		DIMENSION UNITS		SCALE		molex		
			MM ONLY		5:1				
	4 PLACES	±	MM	INCH	DRWN BY	DATE	NANO PITCH I/O FIXED 25G VERTICAL 8X		
	3 PLACES	±			BJANOWIAK	2015/05/11			
	2 PLACES	± 0.13			CHK'D BY	DATE			
	1 PLACES	± 0.25			MJANTELEZIO	2015/05/11			
0 PLACES	±			APPR BY	DATE	PRODUCT CUSTOMER DRAWING			
		ANGULAR TOL = 0.5		MBANAKIS	2015/09/18	SERIES	MATERIAL NUMBER	CUSTOMER	
		DRAFT WHERE APPLICABLE MUST REMAIN WITHIN DIMENSIONS		DRAWING SIZE	THIRD ANGLE PROJECTION	173162	SEE CHART	GENERAL MARKET	
D				C		DOCUMENT NUMBER	DOC TYPE	DOC PART	SHEET NUMBER
						SD-173162-0002	PSD	001	1 OF 7

8X SMT ASSEMBLY



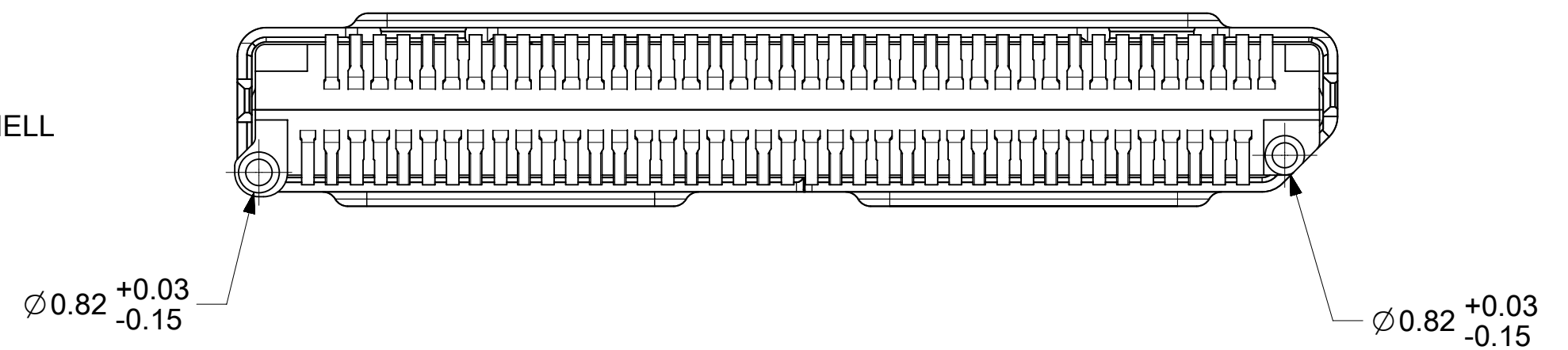
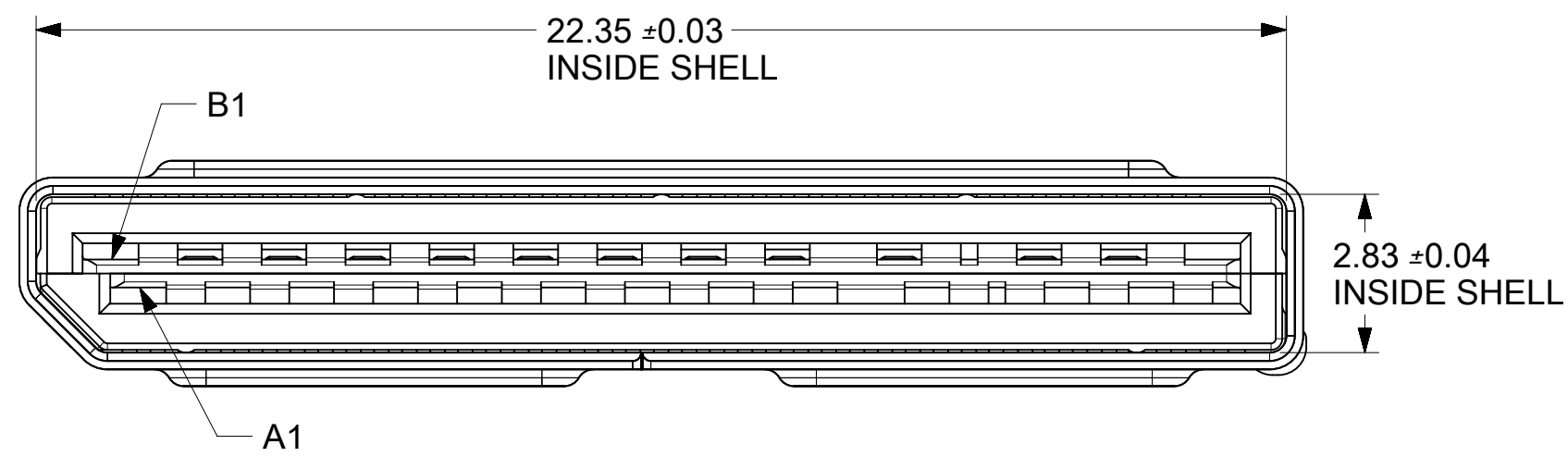
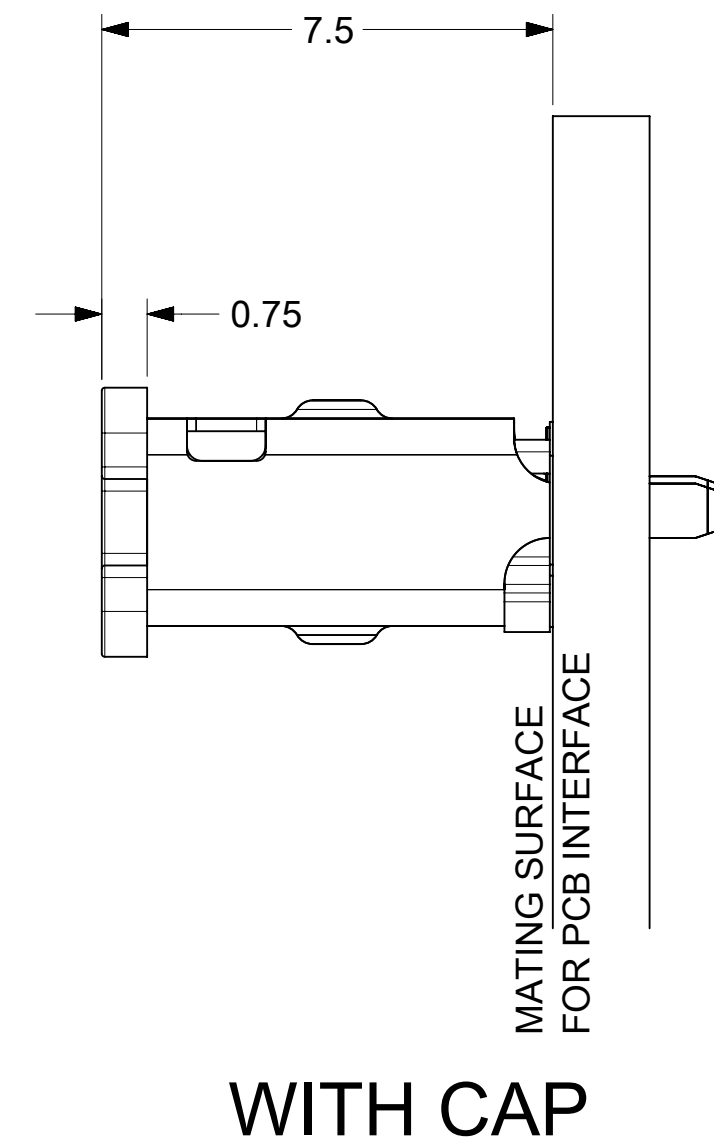
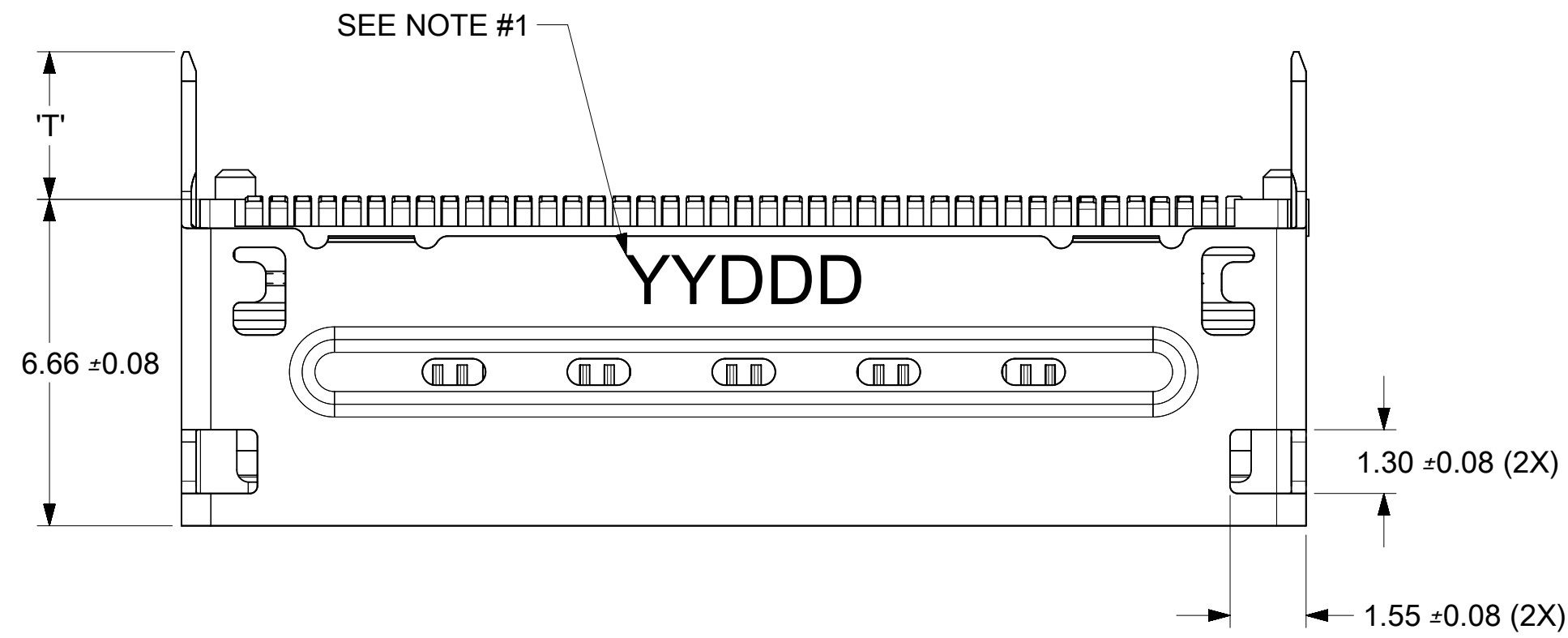
WITH CAP



- NOTES:
1. MANUFACTURED DATE CODE (JULIAN CALENDAR)
 2. SOLDER TAIL COPLANARITY, 0.10 MAX

THIS DRAWING CONTAINS INFORMATION THAT IS PROPRIETARY TO MOLEX ELECTRONIC TECHNOLOGIES, LLC AND SHOULD NOT BE USED WITHOUT WRITTEN PERMISSION												
REMASTERED IN ECTR EC NO: 167964 DRWN: MJANTELEZIO CHKD: CCHEN103 REV / APPR: JKACHLIC	2017/08/23		2017/11/10		2017/11/11		GENERAL TOLERANCES (UNLESS SPECIFIED)		DIMENSION UNITS		SCALE	
							MM INCH		MM ONLY		8:1	
	4 PLACES		±		±				DRWN BY		DATE	
	3 PLACES		±		±				BJANOWIAK		2015/05/11	
	2 PLACES		± 0.13		±				CHK'D BY		DATE	
1 PLACES		± 0.25		±				MJANTELEZIO		2015/05/11		
0 PLACES		±		±				APPR BY		DATE		
								MBANAKIS		2015/09/18		
						ANGULAR TOL = 0.5		DRAWING SIZE		THIRD ANGLE PROJECTION		
						DRAFT WHERE APPLICABLE MUST REMAIN WITHIN DIMENSIONS		C				
molex®			NANO PITCH I/O FIXED 25G VERTICAL 8X			PRODUCT CUSTOMER DRAWING			SERIES MATERIAL NUMBER CUSTOMER			
173162			SEE SHEET 1			GENERAL MARKET			DOCUMENT NUMBER DOC TYPE DOC PART SHEET NUMBER			
SD-173162-0002			PSD			001			2 OF 7			

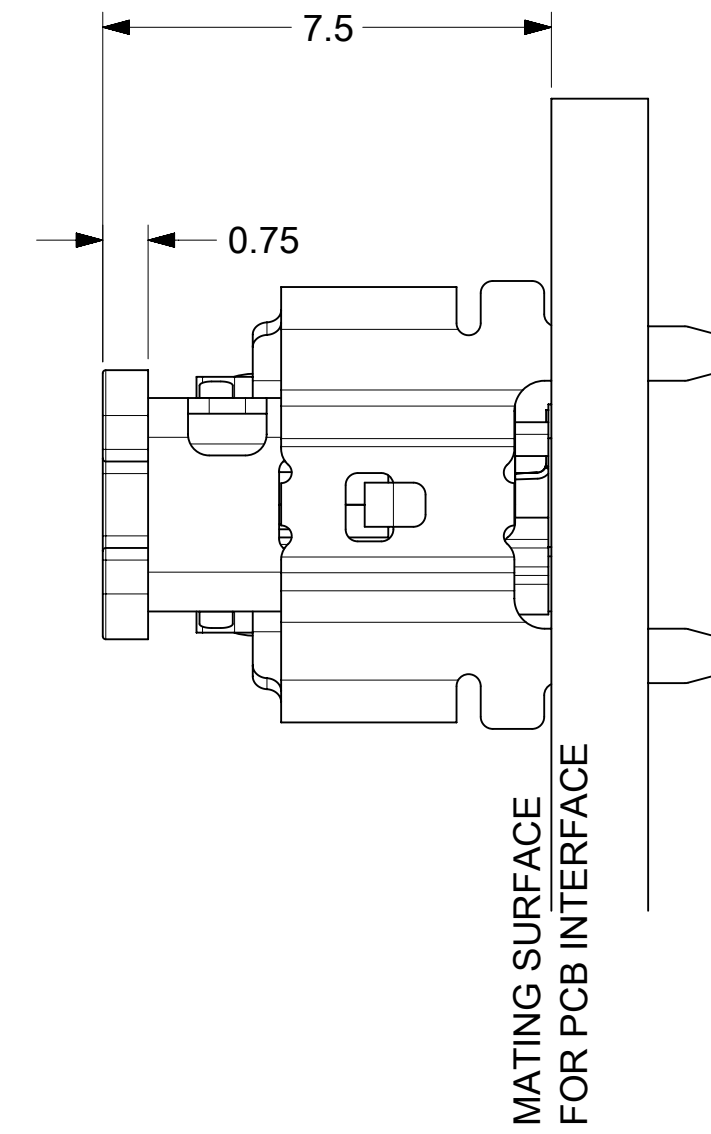
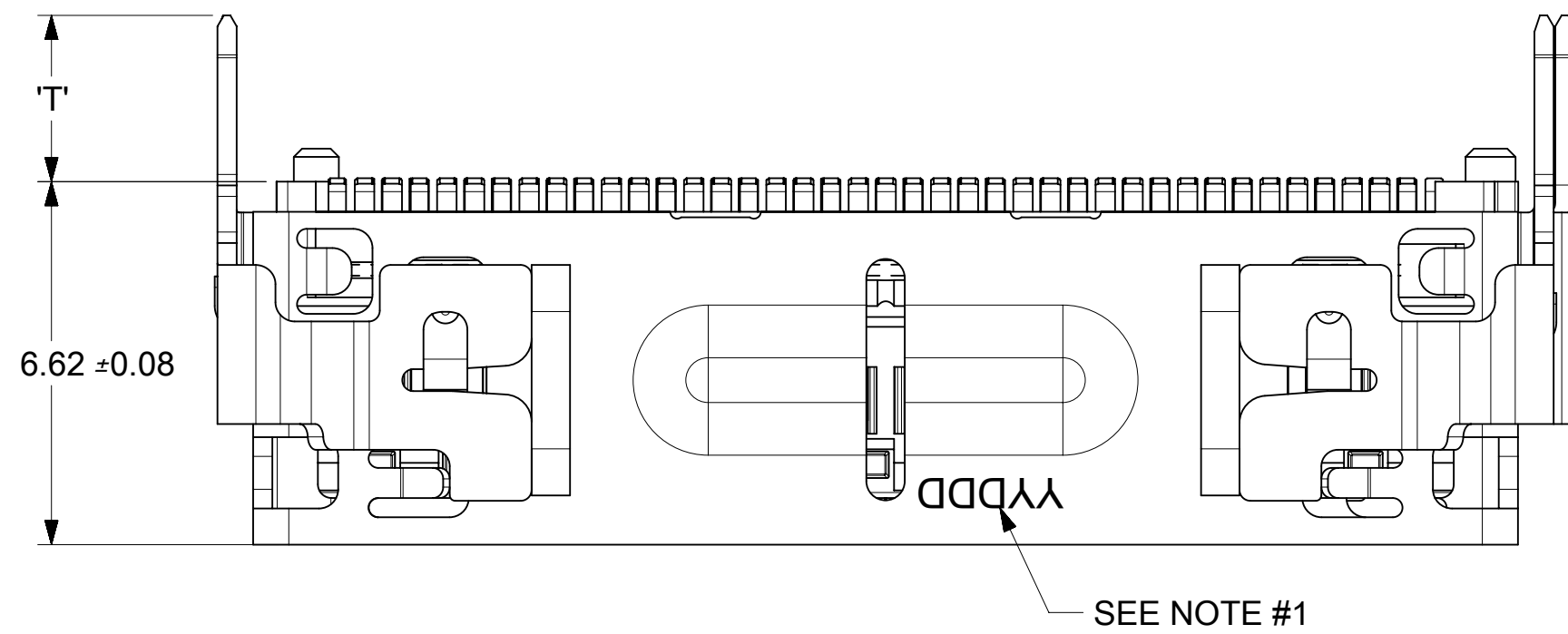
8X SOLDER TAIL ASSEMBLY



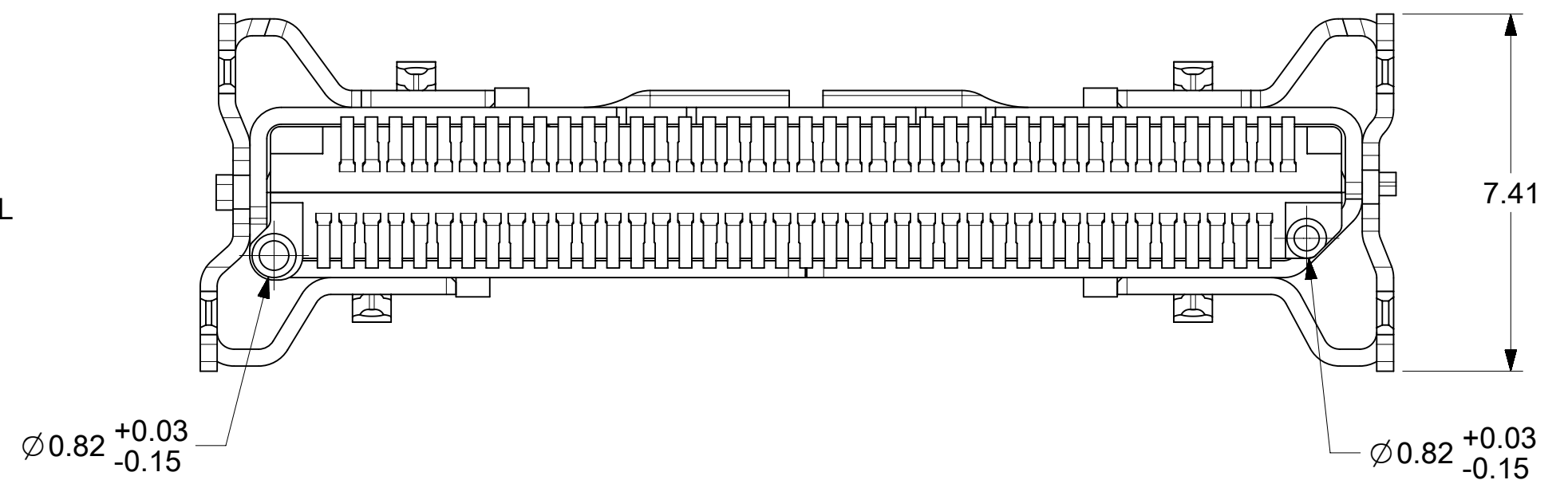
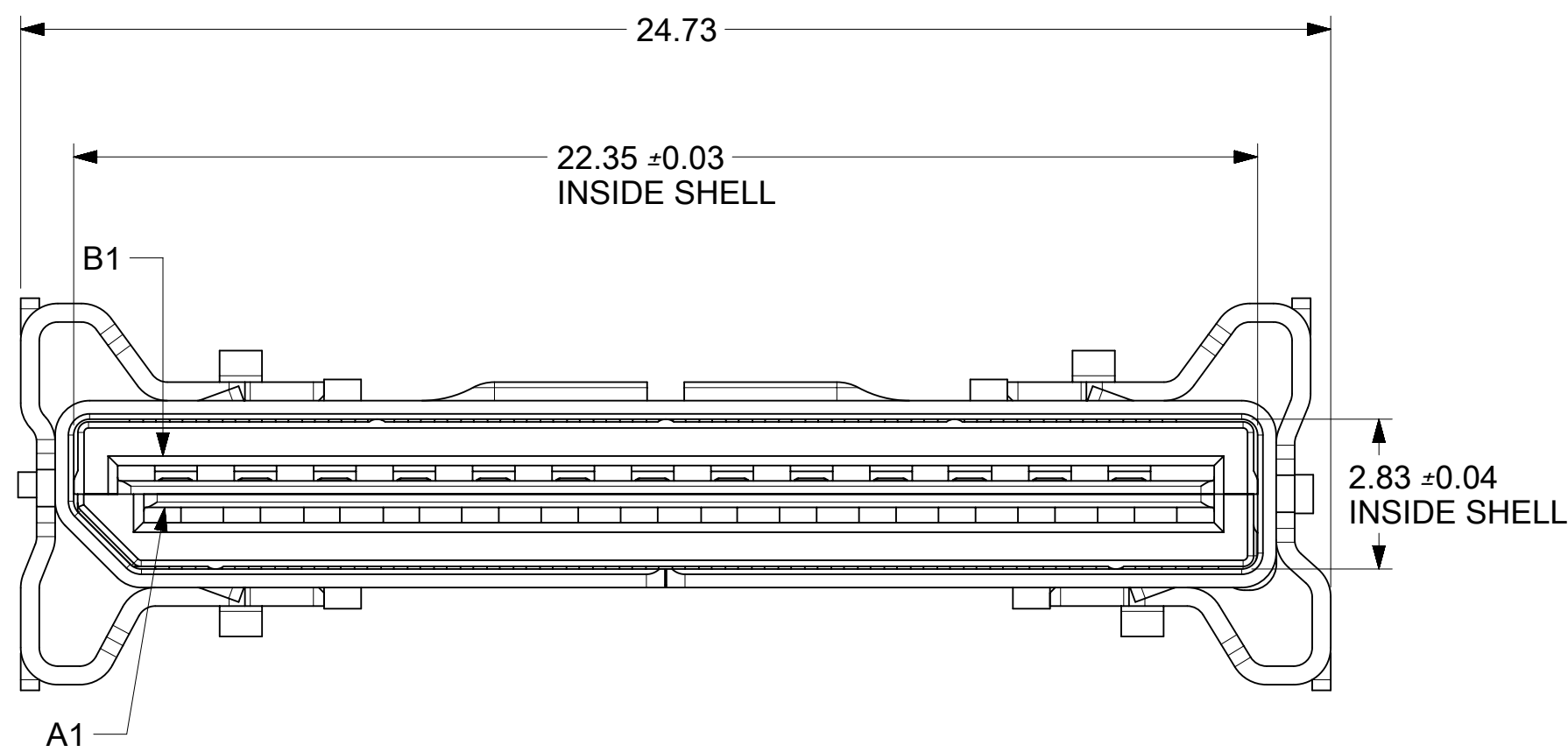
- NOTES:
1. MANUFACTURED DATE CODE (JULIAN CALENDAR)
 2. SOLDER TAIL COPLANARITY, 0.10 MAX

THIS DRAWING CONTAINS INFORMATION THAT IS PROPRIETARY TO MOLEX ELECTRONIC TECHNOLOGIES, LLC AND SHOULD NOT BE USED WITHOUT WRITTEN PERMISSION															
REMASTERED IN ECTR EC NO: 167964 DRWN: MJANTELEZIO CHKD: CHEN103 REV / APPR: JKACHLIC	GENERAL TOLERANCES (UNLESS SPECIFIED)		DIMENSION UNITS		SCALE		molex								
			MM ONLY		8:1										
	4 PLACES	±			DRWN BY	DATE	NANO PITCH I/O FIXED 25G VERTICAL 8X								
	3 PLACES	±			BJANOWIAK	2015/05/11									
	2 PLACES	± 0.13			CHK'D BY	DATE									
1 PLACES	± 0.25			MJANTELEZIO	2015/05/11										
0 PLACES	±			APPR BY	DATE										
				MBANAKIS	2015/09/18	PRODUCT CUSTOMER DRAWING									
				ANGULAR TOL = 0.5		DRAWING SIZE		THIRD ANGLE PROJECTION							
				DRAFT WHERE APPLICABLE MUST REMAIN WITHIN DIMENSIONS		C		<table border="1"> <tr> <td>SERIES</td> <td>MATERIAL NUMBER</td> <td>CUSTOMER</td> </tr> <tr> <td>173162</td> <td>SEE SHEET 1</td> <td>GENERAL MARKET</td> </tr> </table>		SERIES	MATERIAL NUMBER	CUSTOMER	173162	SEE SHEET 1	GENERAL MARKET
SERIES	MATERIAL NUMBER	CUSTOMER													
173162	SEE SHEET 1	GENERAL MARKET													
						<table border="1"> <tr> <td>DOCUMENT NUMBER</td> <td>DOC TYPE</td> <td>DOC PART</td> <td>SHEET NUMBER</td> </tr> <tr> <td>SD-173162-0002</td> <td>PSD</td> <td>001</td> <td>3 OF 7</td> </tr> </table>		DOCUMENT NUMBER	DOC TYPE	DOC PART	SHEET NUMBER	SD-173162-0002	PSD	001	3 OF 7
DOCUMENT NUMBER	DOC TYPE	DOC PART	SHEET NUMBER												
SD-173162-0002	PSD	001	3 OF 7												

8X XD ASSEMBLY



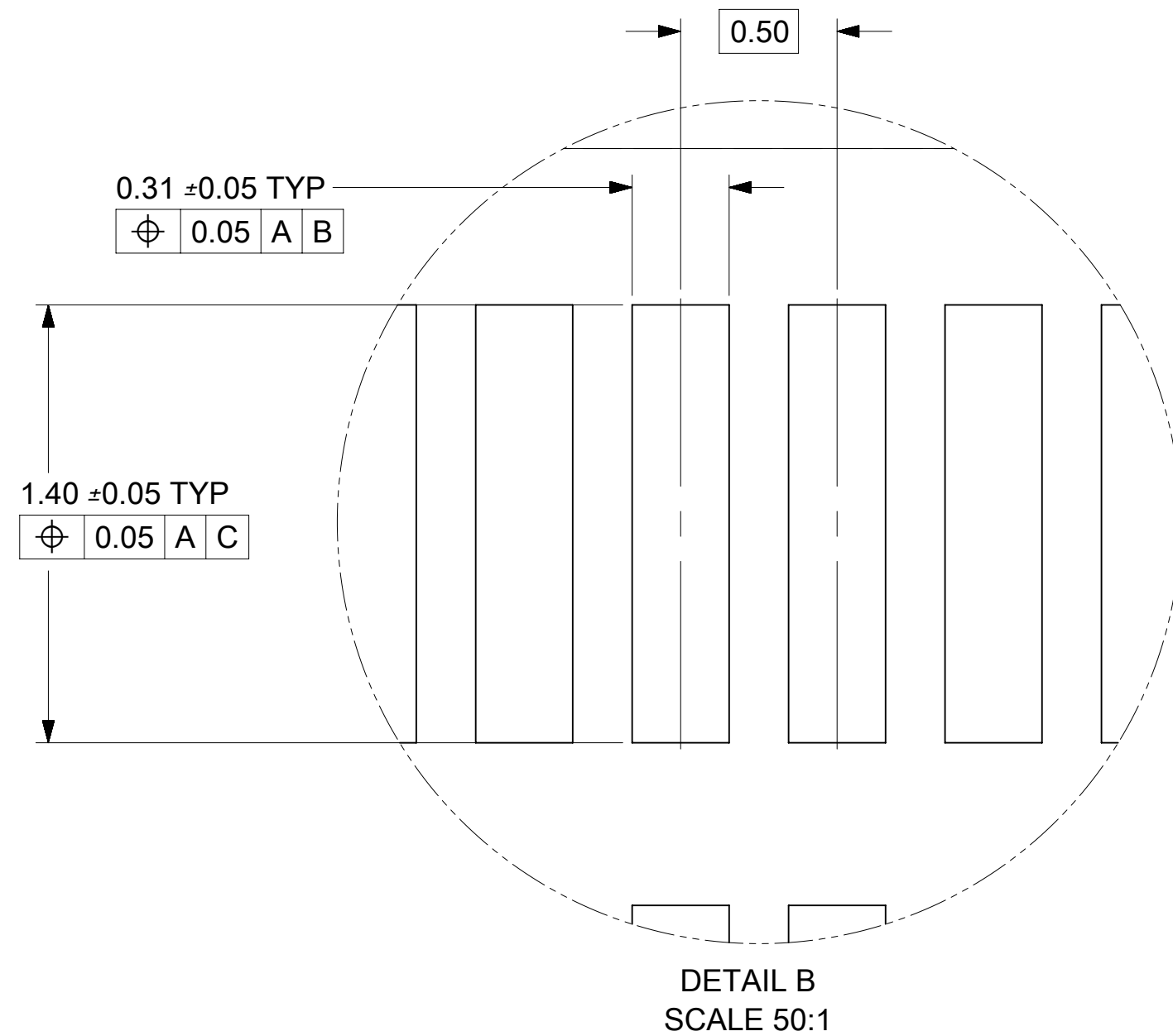
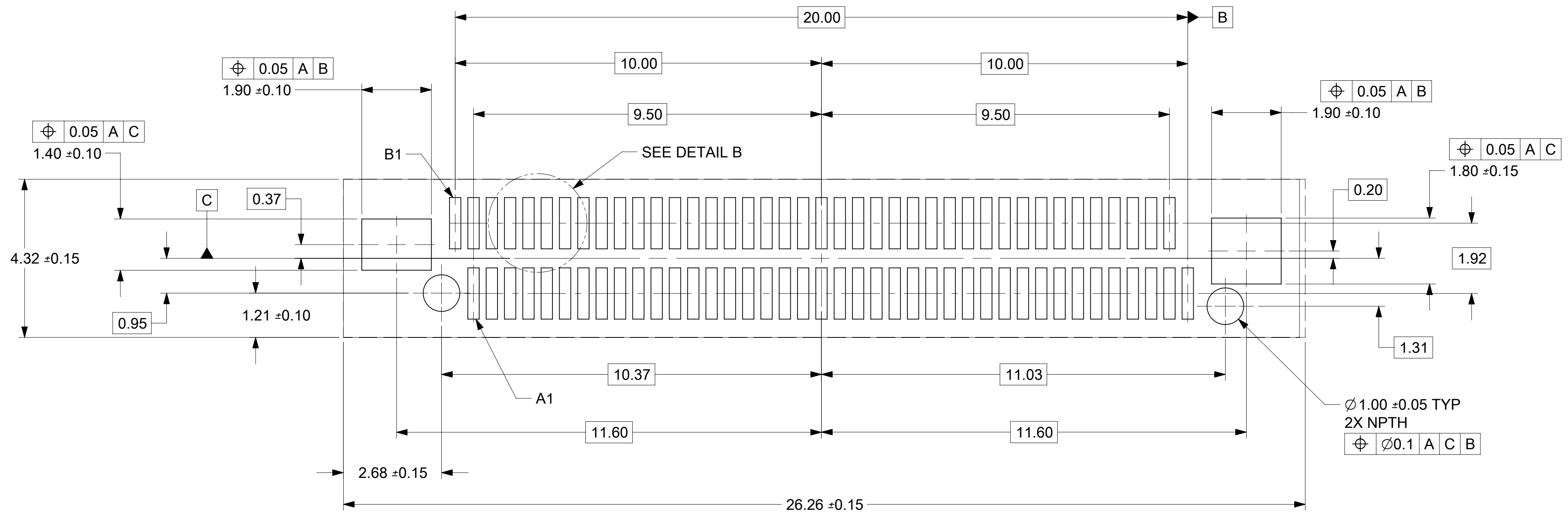
WITH CAP



- NOTES:
1. MANUFACTURED DATE CODE (JULIAN CALENDAR)
 2. SOLDER TAIL COPLANARITY, 0.10 MAX

THIS DRAWING CONTAINS INFORMATION THAT IS PROPRIETARY TO MOLEX ELECTRONIC TECHNOLOGIES, LLC AND SHOULD NOT BE USED WITHOUT WRITTEN PERMISSION										
REMASTERED IN ECTR EC NO: 167964 DRWN: MJANTELEZIO CHKD: CHEN103 REV / APPR: JKACHLIC	GENERAL TOLERANCES (UNLESS SPECIFIED)		DIMENSION UNITS		SCALE		molex			
			MM ONLY		8:1					
	4 PLACES	±		DRWN BY	DATE		NANO PITCH I/O FIXED 25G VERTICAL 8X			
	3 PLACES	±		BJANOWIAK	2015/05/11					
	2 PLACES	± 0.13		CHK'D BY	DATE					
1 PLACES	± 0.25		MJANTELEZIO	2015/05/11						
0 PLACES	±		APPR BY	DATE						
			MBANAKIS	2015/09/18		PRODUCT CUSTOMER DRAWING				
	ANGULAR TOL = 0.5		DRAWING SIZE	THIRD ANGLE PROJECTION		SERIES	MATERIAL NUMBER	CUSTOMER		
	DRAFT WHERE APPLICABLE MUST REMAIN WITHIN DIMENSIONS		C			173162	SEE SHEET 1	GENERAL MARKET		
D					DOCUMENT NUMBER		DOC TYPE	DOC PART	SHEET NUMBER	
					SD-173162-0002		PSD	001	4 OF 7	

8X SMT RECOMMENDED FOOTPRINT

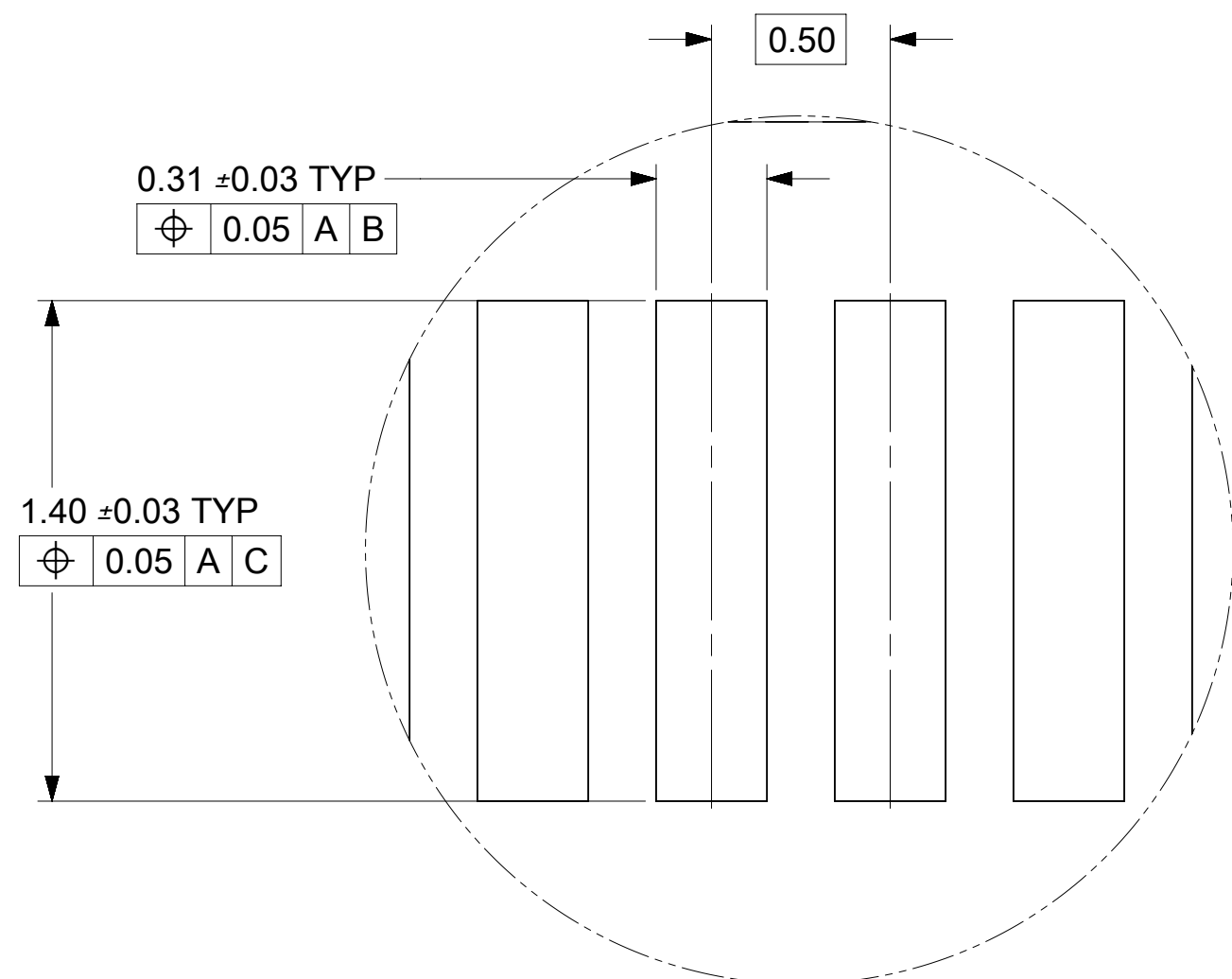
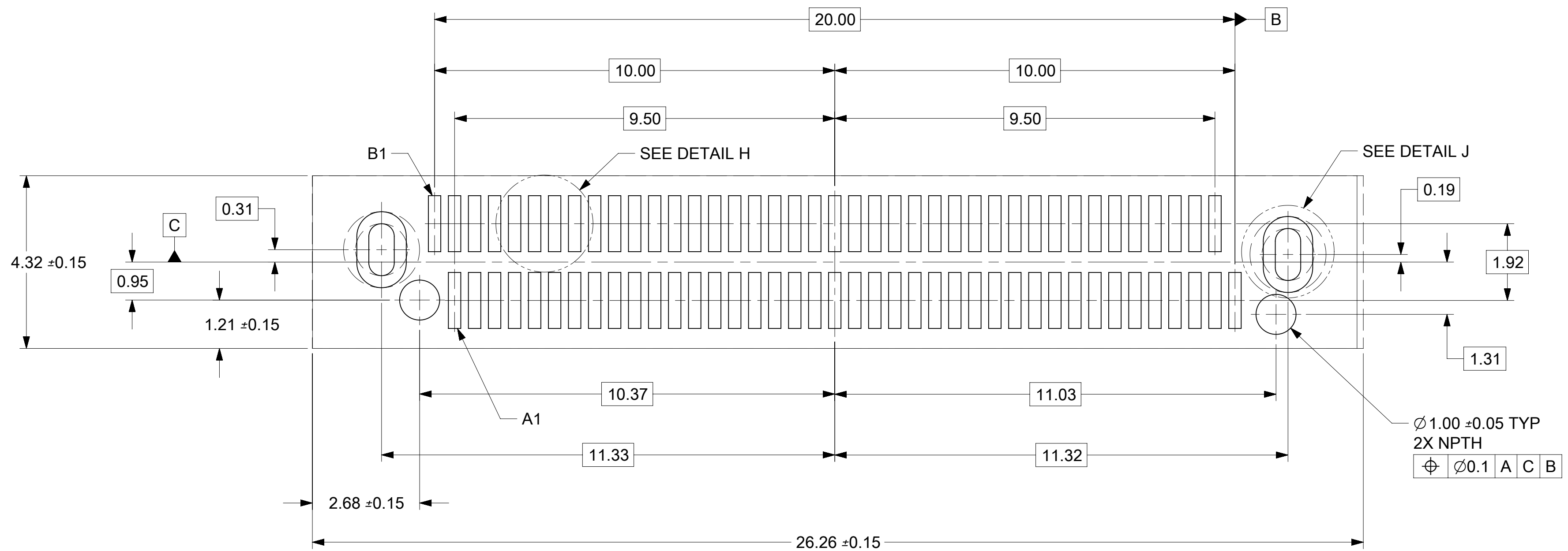


NOTES:

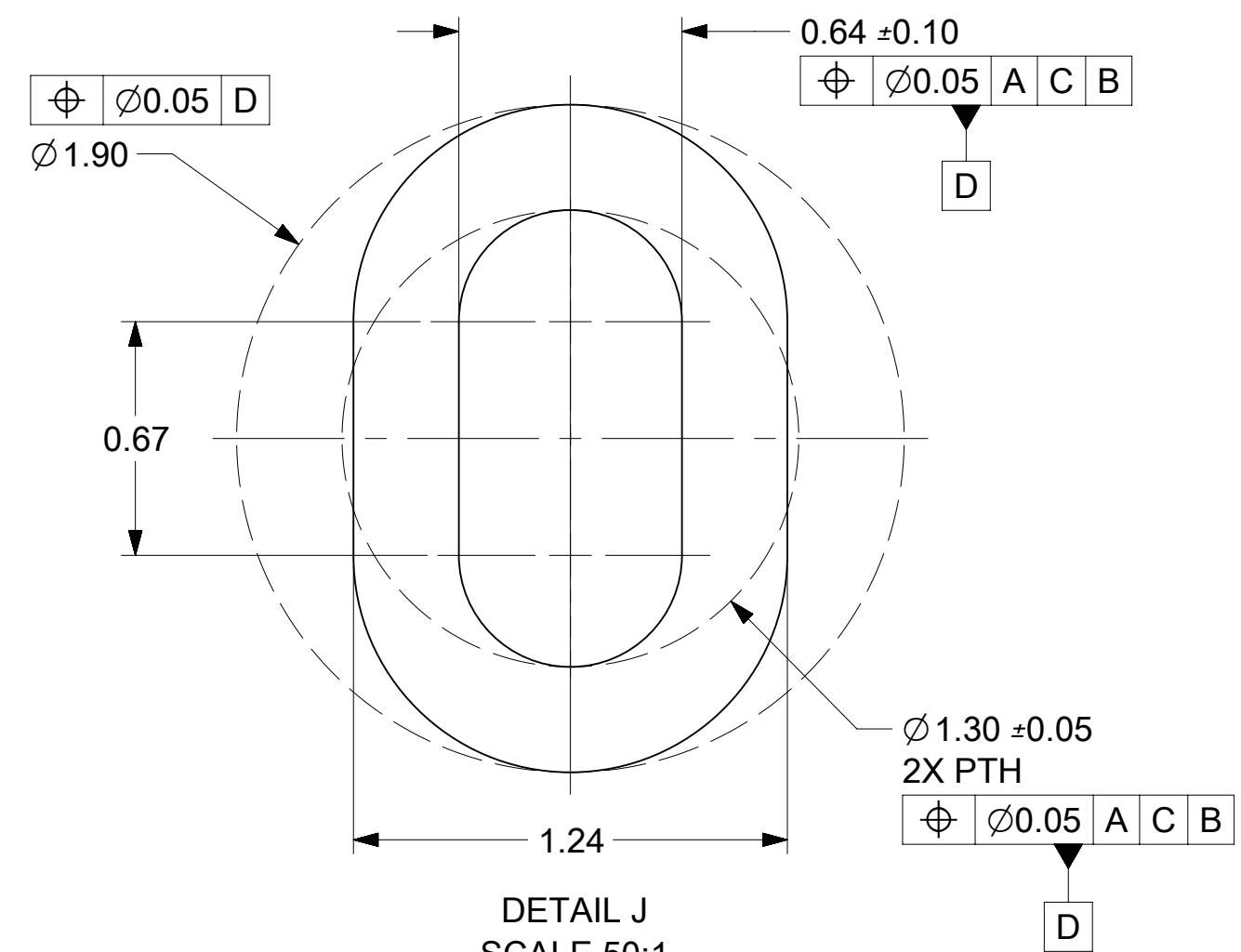
1. MINIMUM RECOMMENDED SPACING BETWEEN ADJACENT CONNECTOR IS 28.50mm
2. MINIMUM RECOMMENDED PCB THICKNESS: 1.57mm
3. CONNECTOR KEEP OUT AREA
4. DATUM -A- ESTABLISHED FROM TOP SURFACE OF PCB

THIS DRAWING CONTAINS INFORMATION THAT IS PROPRIETARY TO MOLEX ELECTRONIC TECHNOLOGIES, LLC AND SHOULD NOT BE USED WITHOUT WRITTEN PERMISSION										
REMASTERED IN ECTR EC NO: 167964 DRWN: MJANTELEZIO CHKD: CHEN103 REV / APPR: JKACHLIC	2017/08/23	2017/11/10	GENERAL TOLERANCES (UNLESS SPECIFIED)		DIMENSION UNITS		SCALE			
			MM	INCH	MM ONLY	12:1				
	4 PLACES	±	±	DRWN BY		DATE				
	3 PLACES	±	±	BJANOWIAK		2015/05/11				
	2 PLACES	±	0.13	±	CHK'D BY		DATE			
1 PLACES	±	0.25	±	MJANTELEZIO		2015/05/11				
0 PLACES	±	±	±	APPR BY		DATE				
				MBANAKIS		2015/09/18				
ANGULAR TOL = 0.5					DRAWING SIZE		THIRD ANGLE PROJECTION			
DRAFT WHERE APPLICABLE MUST REMAIN WITHIN DIMENSIONS					C					
SERIES			MATERIAL NUMBER			CUSTOMER				
173162			SEE SHEET 1			GENERAL MARKET				
DOCUMENT NUMBER					DOC TYPE		DOC PART	SHEET NUMBER		
SD-173162-0002					PSD		001	5 OF 7		

8X SOLDER TAIL RECOMMENDED FOOTPRINT



DETAIL H
SCALE 50:1



DETAIL J
SCALE 50:1

- NOTES:
1. MINIMUM RECOMMENDED SPACING BETWEEN ADJACENT CONNECTOR IS 28.50mm
 2. MINIMUM RECOMMENDED PCB THICKNESS: 1.57mm
 3. CONNECTOR KEEP OUT AREA
 4. DATUM -A- ESTABLISHED FROM TOP SURFACE OF PCB

THIS DRAWING CONTAINS INFORMATION THAT IS PROPRIETARY TO MOLEX ELECTRONIC TECHNOLOGIES, LLC AND SHOULD NOT BE USED WITHOUT WRITTEN PERMISSION

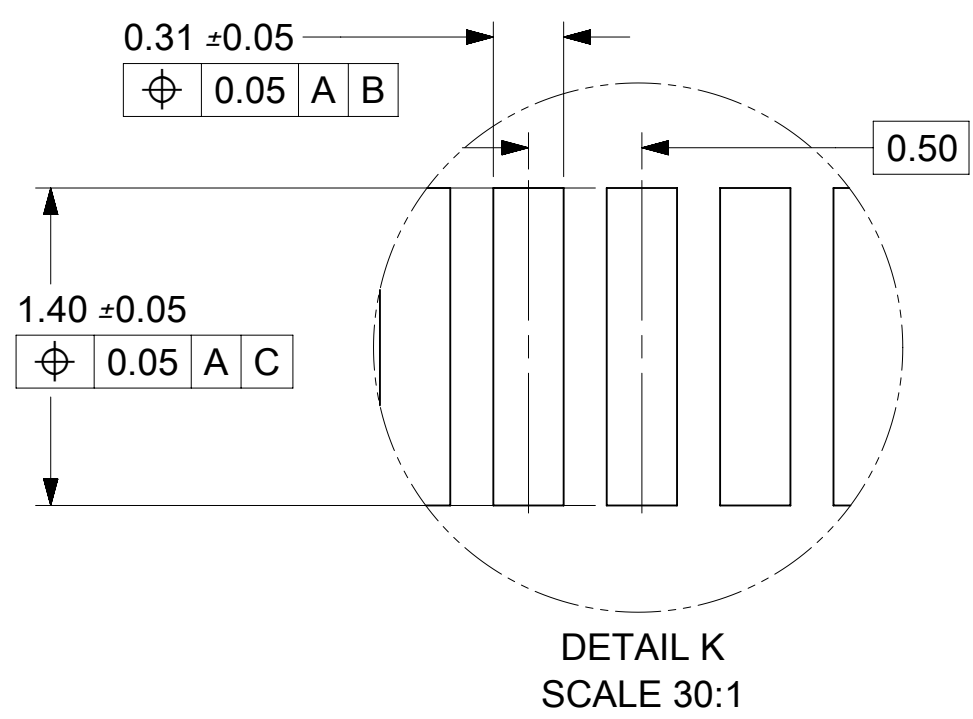
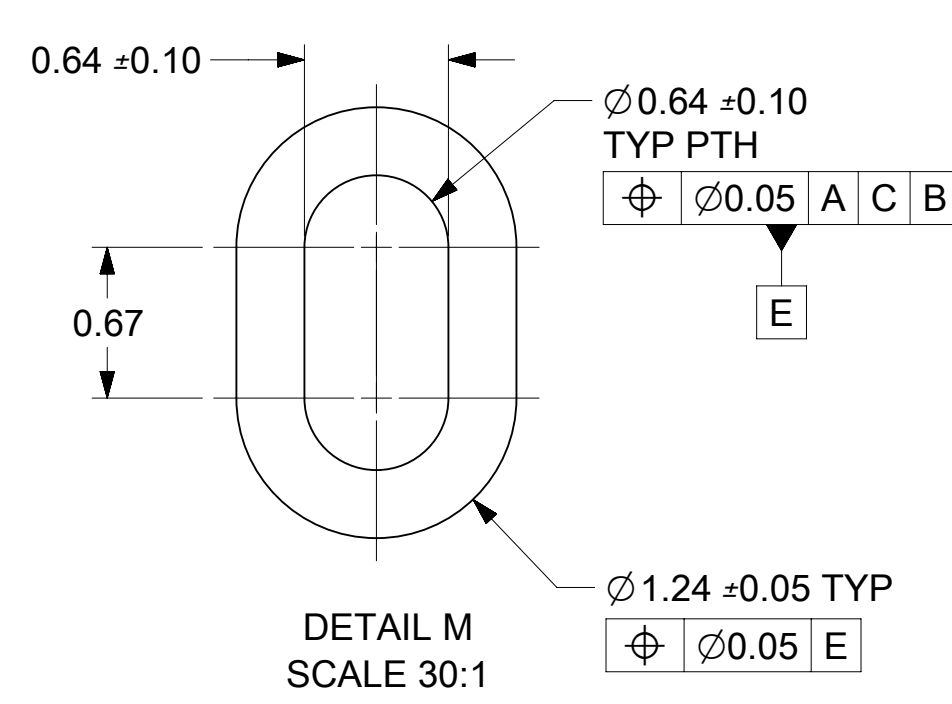
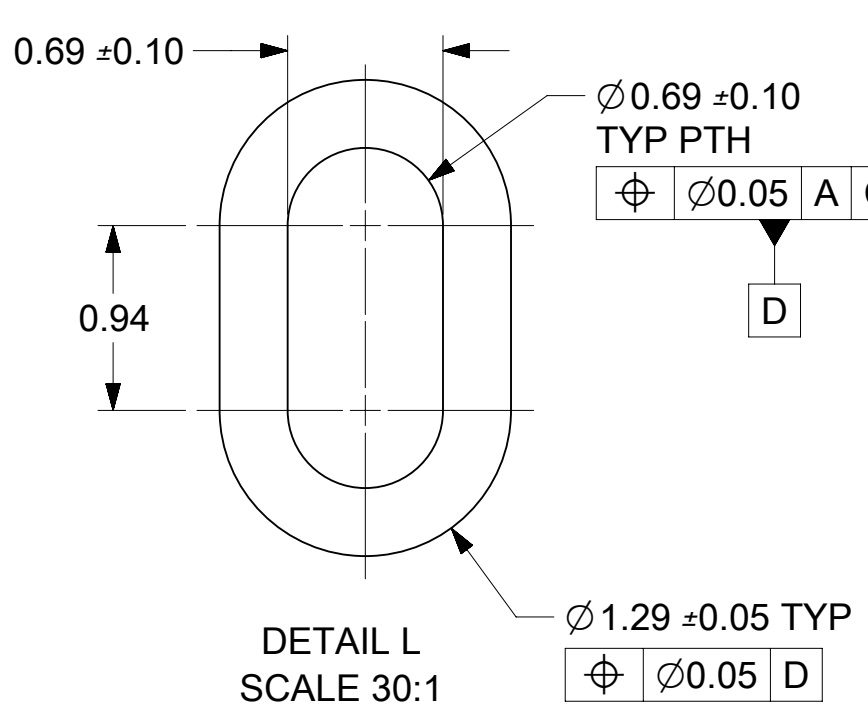
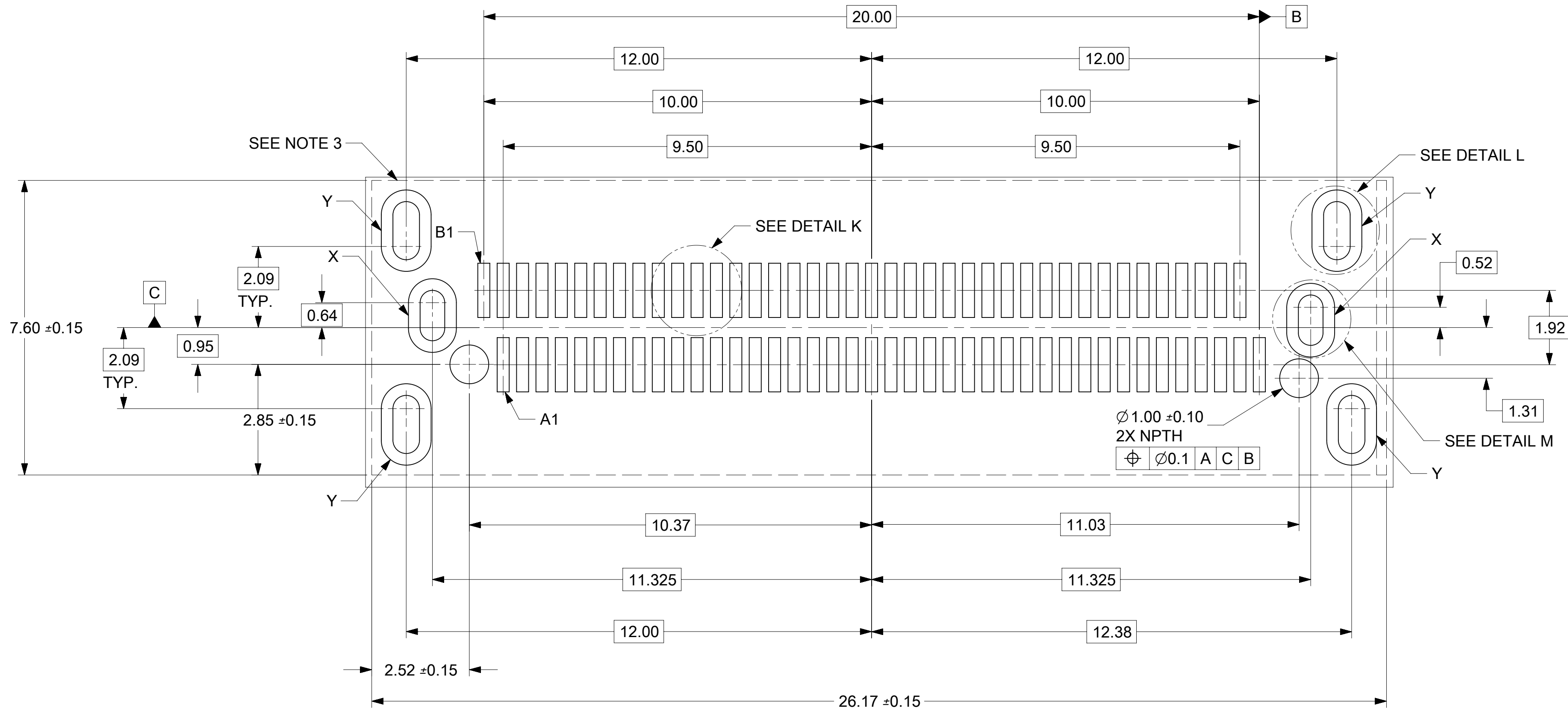
REMASTERED IN ECTR EC NO: 167964 DRWN: MJANTELEZIO CHKD: CCHEN103 REV / APPR: JKACHLIC	2017/08/23	2017/11/10	2017/11/11	GENERAL TOLERANCES (UNLESS SPECIFIED)		DIMENSION UNITS		SCALE				
				MM	INCH	MM ONLY	12:1	DRWN BY DATE				
	4 PLACES	±	±	BJANOWIAK		2015/05/11		CHK'D BY DATE				
	3 PLACES	±	±	MJANTELEZIO		2015/05/11		APPR BY DATE				
					2 PLACES	± 0.13	±	MBANAKIS		2015/09/18		
					1 PLACES	± 0.25	±	DRAWING SIZE		THIRD ANGLE PROJECTION		
					0 PLACES	±	±	C				
				ANGULAR TOL = 0.5		DRAFT WHERE APPLICABLE MUST REMAIN WITHIN DIMENSIONS		DOCUMENT NUMBER		DOC TYPE	DOC PART	SHEET NUMBER
D								173162		SEE SHEET 1	GENERAL MARKET	
								SD-173162-0002		PSD	001	6 OF 7

molex

NANO PITCH I/O FIXED 25G
VERTICAL 8X

PRODUCT CUSTOMER DRAWING

8X COMMON TAIL/XD RECOMMENDED FOOTPRINT



- NOTES:
1. MINIMUM RECOMMENDED SPACING BETWEEN ADJACENT CONNECTOR IS 28.50mm
 2. MINIMUM RECOMMENDED PCB THICKNESS: 1.57mm
 3. CONNECTOR KEEP OUT AREA
 4. DATUM -A- ESTABLISHED FROM TOP SURFACE OF PCB
 5. COMMON FOOTPRINT SHOWN FOR XD ONLY PATTERN USE ONLY PTH DENOTED "Y" FOR TAIL ONLY PATTERN USE ONLY PTH DENOTED "X"

THIS DRAWING CONTAINS INFORMATION THAT IS PROPRIETARY TO MOLEX ELECTRONIC TECHNOLOGIES, LLC AND SHOULD NOT BE USED WITHOUT WRITTEN PERMISSION

REMASTERED IN ECTR EC NO: 167964 DRWN: MJANTELEZIO CHKD: CCHEN103 REV / APPR: JKACHLIC	2017/08/23	2017/11/10	2017/11/11	GENERAL TOLERANCES (UNLESS SPECIFIED)		DIMENSION UNITS SCALE		molex		
				MM	INCH	MM ONLY	12:1			
	4 PLACES	±	±	DRWN BY DATE		BJANOWIAK 2015/05/11		PRODUCT CUSTOMER DRAWING		
	3 PLACES	±	±	CHK'D BY DATE		MJANTELEZIO 2015/05/11				
	2 PLACES	± 0.13	±	APPR BY DATE		MBANAKIS 2015/09/18		173162 SEE SHEET 1 GENERAL MARKET		
1 PLACES	± 0.25	±	ANGULAR TOL = 0.5		DRAWING SIZE THIRD ANGLE PROJECTION		DOCUMENT NUMBER DOC TYPE DOC PART SHEET NUMBER			
0 PLACES	±	±	DRAFT WHERE APPLICABLE MUST REMAIN WITHIN DIMENSIONS		C					SD-173162-0002 PSD 001 7 OF 7