



Chipsmall Limited consists of a professional team with an average of over 10 year of expertise in the distribution of electronic components. Based in Hongkong, we have already established firm and mutual-benefit business relationships with customers from,Europe,America and south Asia,supplying obsolete and hard-to-find components to meet their specific needs.

With the principle of “Quality Parts,Customers Priority,Honest Operation,and Considerate Service”,our business mainly focus on the distribution of electronic components. Line cards we deal with include Microchip,ALPS,ROHM,Xilinx,Pulse,ON,Everlight and Freescale. Main products comprise IC,Modules,Potentiometer,IC Socket,Relay,Connector.Our parts cover such applications as commercial,industrial, and automotives areas.

We are looking forward to setting up business relationship with you and hope to provide you with the best service and solution. Let us make a better world for our industry!



## Contact us

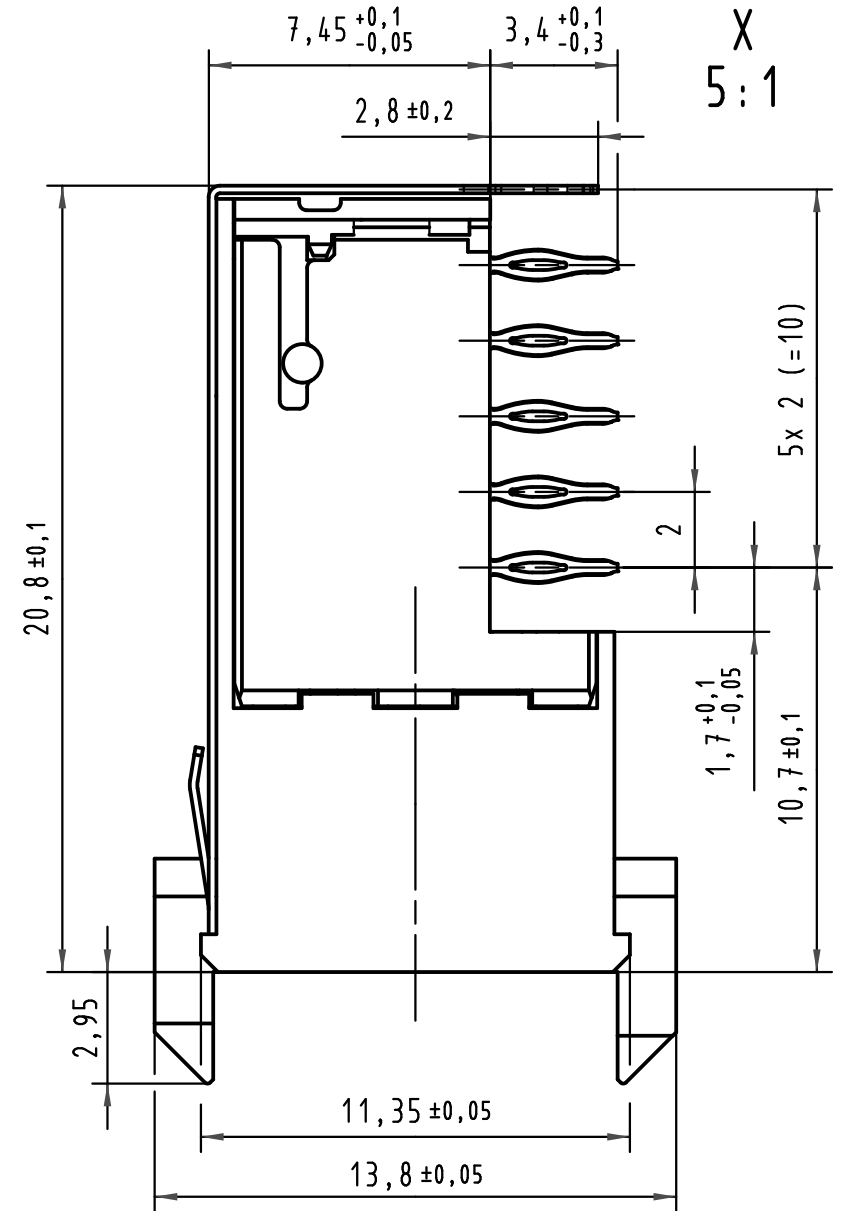
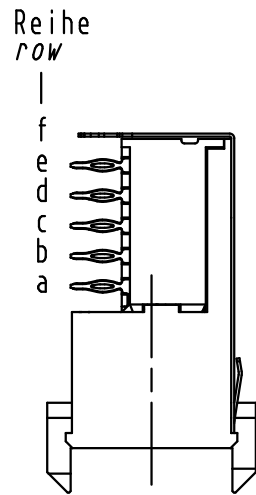
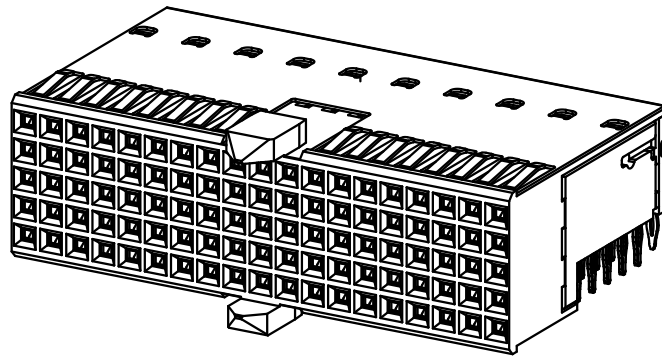
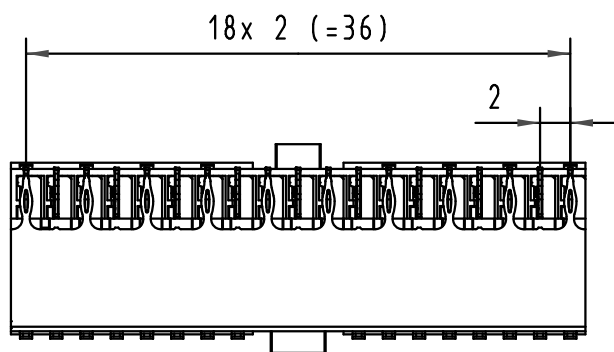
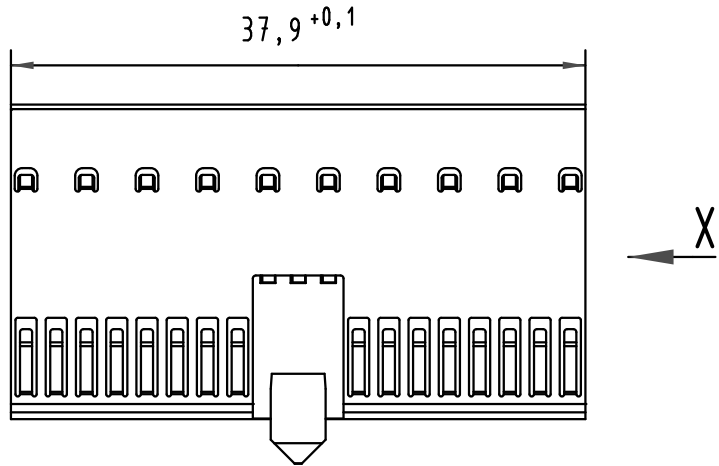
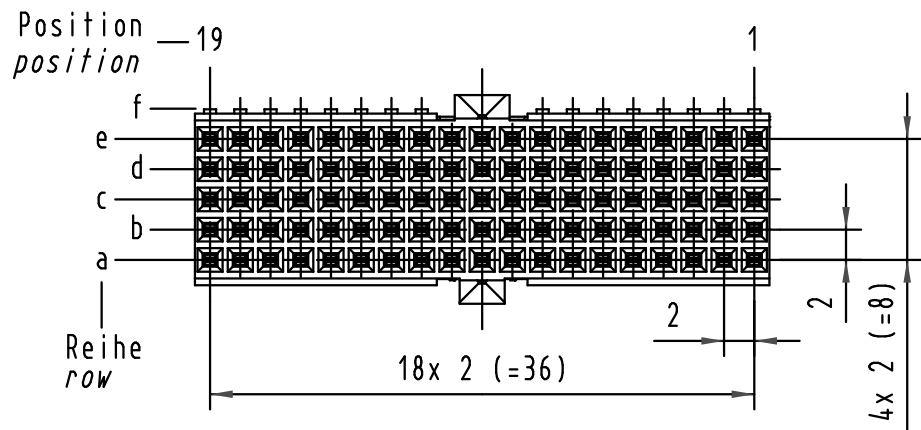
Tel: +86-755-8981 8866 Fax: +86-755-8427 6832

Email & Skype: info@chipsmall.com Web: www.chipsmall.com

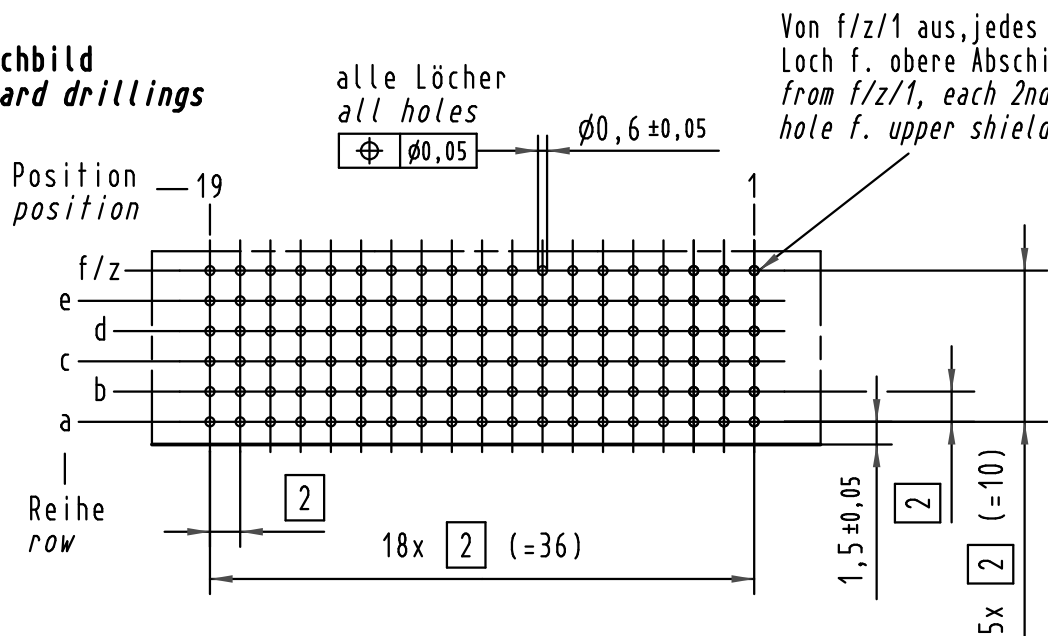
Address: A1208, Overseas Decoration Building, #122 Zhenhua RD., Futian, Shenzhen, China



Alle Rechte vorbehalten/ All rights reserved



**Lochbild  
board drillings**



Von f/z/1 aus, jedes 2. Loch f. obere Abschirmung  
from f/z/1, each 2nd hole f. upper shielding

Bohrlochdurchmesser:  $\phi 0,7 \pm 0,02$  mm  
Lochdurchmesser (mit Oberfläche):  $\phi 0,6 \pm 0,05$  mm  
drill hole dia.:  $\phi 0,7 \pm 0,02$  mm  
through hole dia. (after plating):  $\phi 0,6 \pm 0,05$  mm

17 33 095 <u>4</u> 102	—	min. $0,76 \mu\text{m}$ ( $30 \mu\text{m}$ ) Au über/over min. $1,27 \mu\text{m}$ ( $50 \mu\text{m}$ ) Ni
17 33 095 <u>2</u> 102	2	Au über/over Ni
17 33 095 <u>1</u> 102	1	Au über/over Ni
Bestell-Nr. part-no.	Anforderungsstufe nach IEC performance level acc. to IEC	Kontaktoberfläche contact plating

All Dimensions in mm Original Size DIN A 3			Techn. Character.			Nicht tolerierte Maße/Free size tolerances IEC 61076-4-101		
			Dat.		Name		har-bus HM Federleiste, Typ AB-19, 95 pol. mit Schirmblech Reihe-f har-bus HM female connector, type AB-19, 95 pol. with shield row-f	
			Detail.		Hm			
			Insp.		Ko			
			Stand.				<b>2:1</b> (5:1)	
35456			01.12.08		TD			
32387			19.11.04		HL.			
27619							<b>TB 17 33 095 x102</b>	
Mod.			Dat.		Name			
			HARTING Electronics GmbH & Co. KG D-32339 ESPELKAMP					Blatt/ page
						Sub.		