



Chipsmall Limited consists of a professional team with an average of over 10 year of expertise in the distribution of electronic components. Based in Hongkong, we have already established firm and mutual-benefit business relationships with customers from,Europe,America and south Asia,supplying obsolete and hard-to-find components to meet their specific needs.

With the principle of "Quality Parts,Customers Priority,Honest Operation,and Considerate Service",our business mainly focus on the distribution of electronic components. Line cards we deal with include Microchip,ALPS,ROHM,Xilinx,Pulse,ON,Everlight and Freescale. Main products comprise IC,Modules,Potentiometer,IC Socket,Relay,Connector.Our parts cover such applications as commercial,industrial, and automotives areas.

We are looking forward to setting up business relationship with you and hope to provide you with the best service and solution. Let us make a better world for our industry!



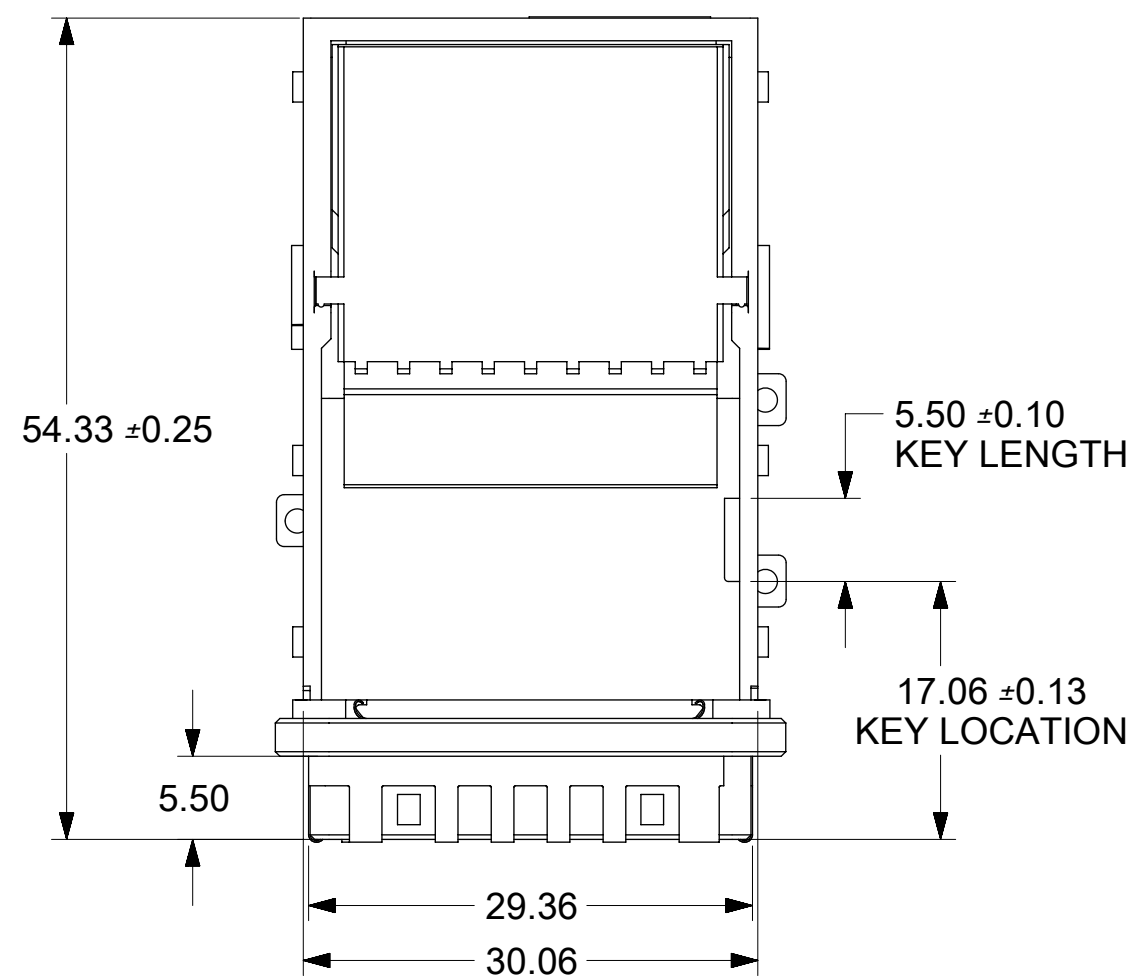
Contact us

Tel: +86-755-8981 8866 Fax: +86-755-8427 6832

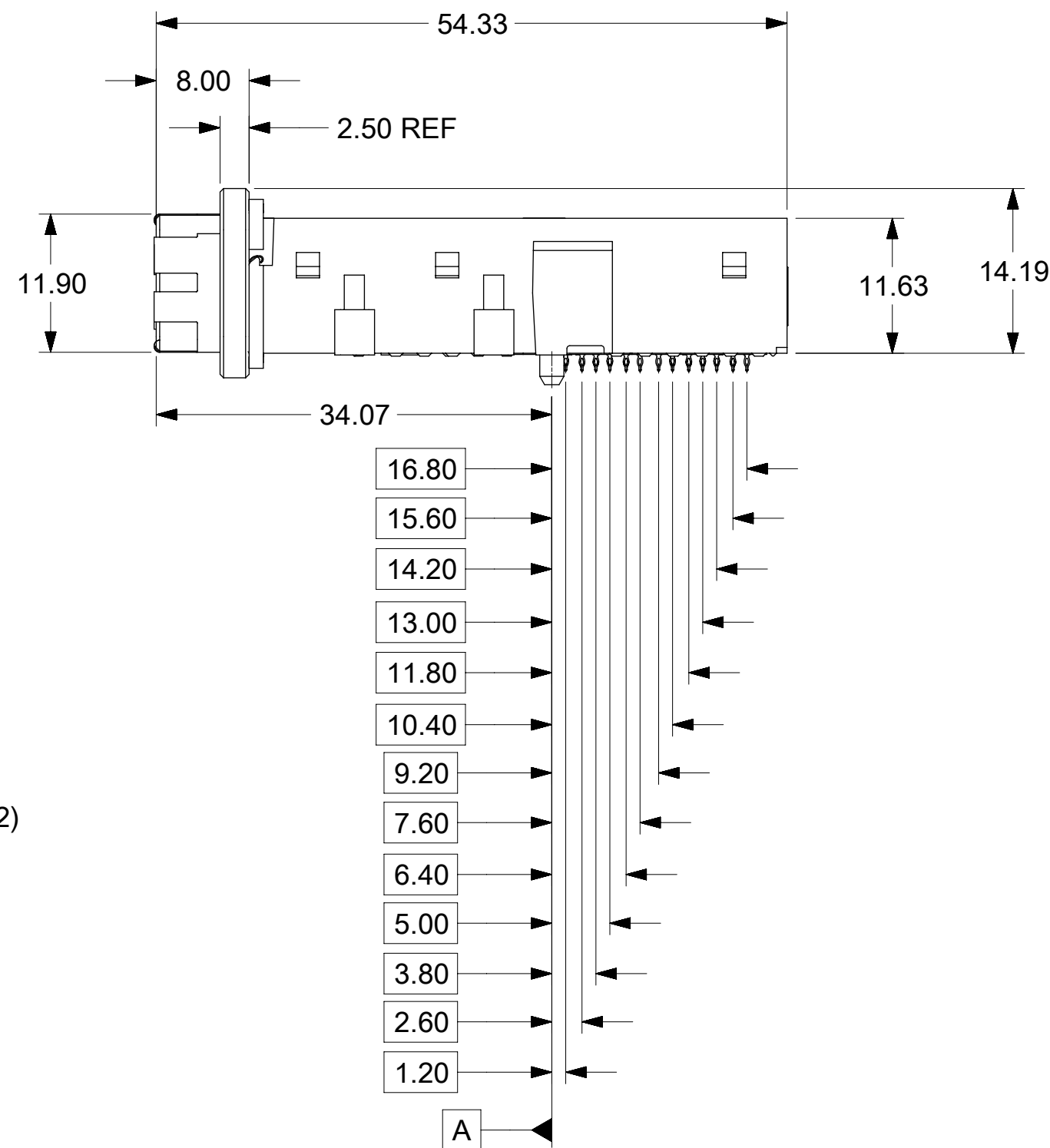
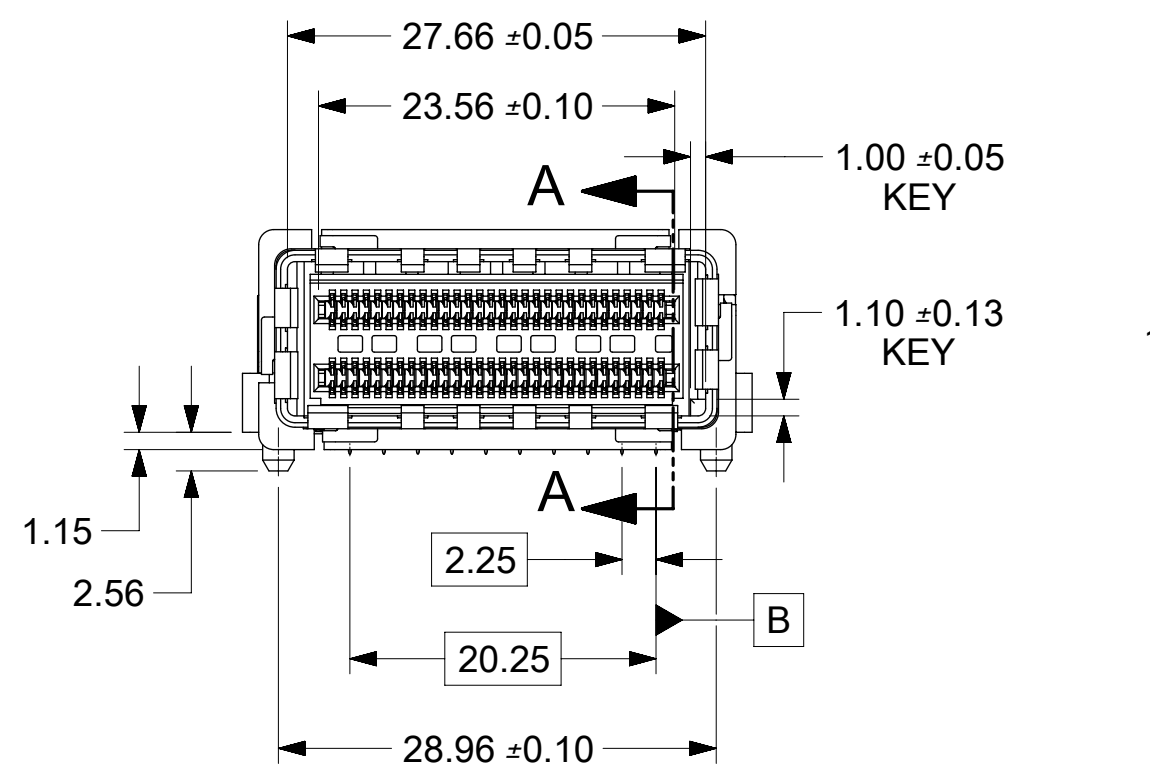
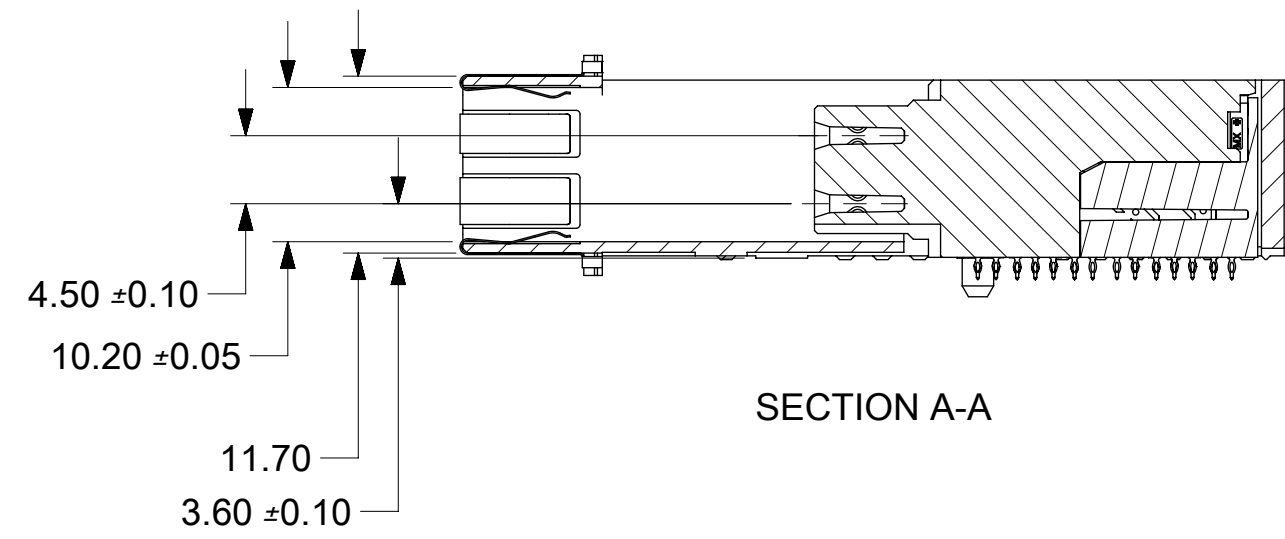
Email & Skype: info@chipsmall.com Web: www.chipsmall.com

Address: A1208, Overseas Decoration Building, #122 Zhenhua RD., Futian, Shenzhen, China



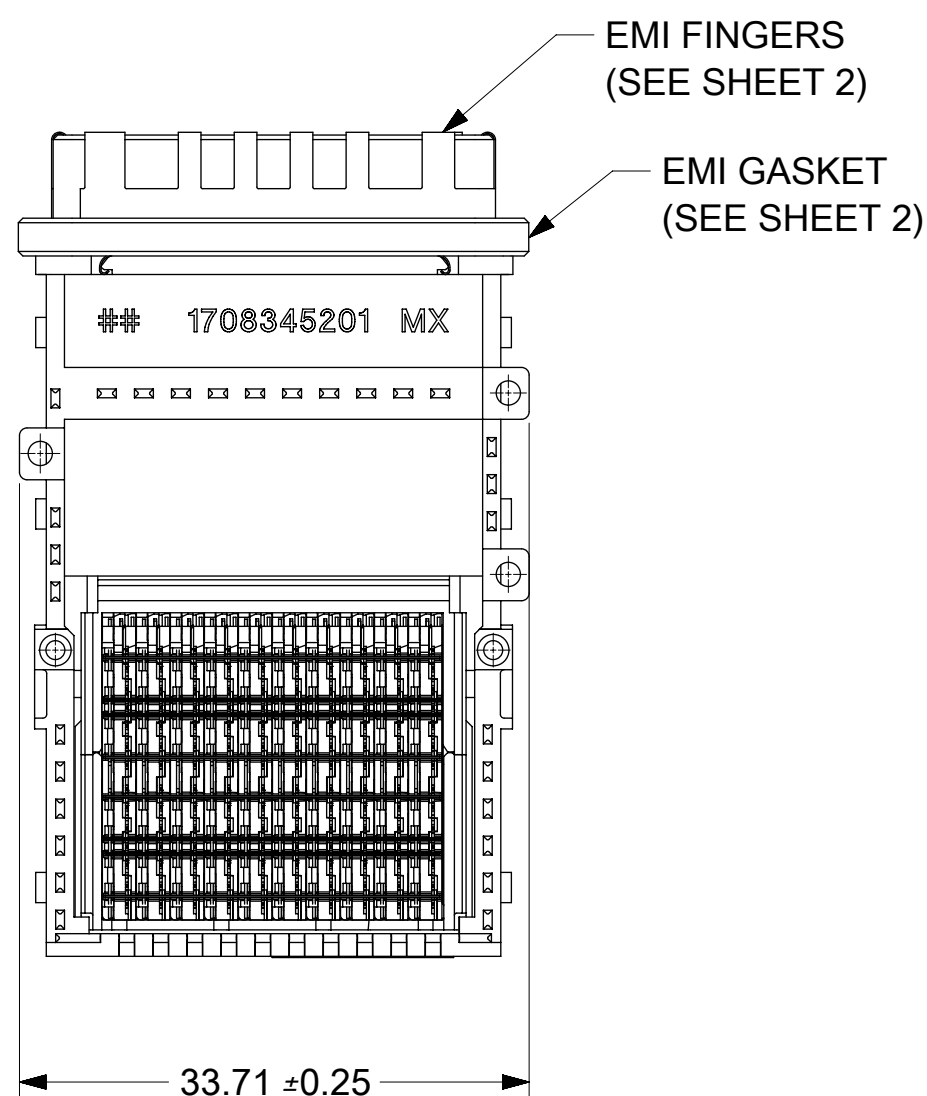


MATERIAL NUMBER
1733590001 SHOWN

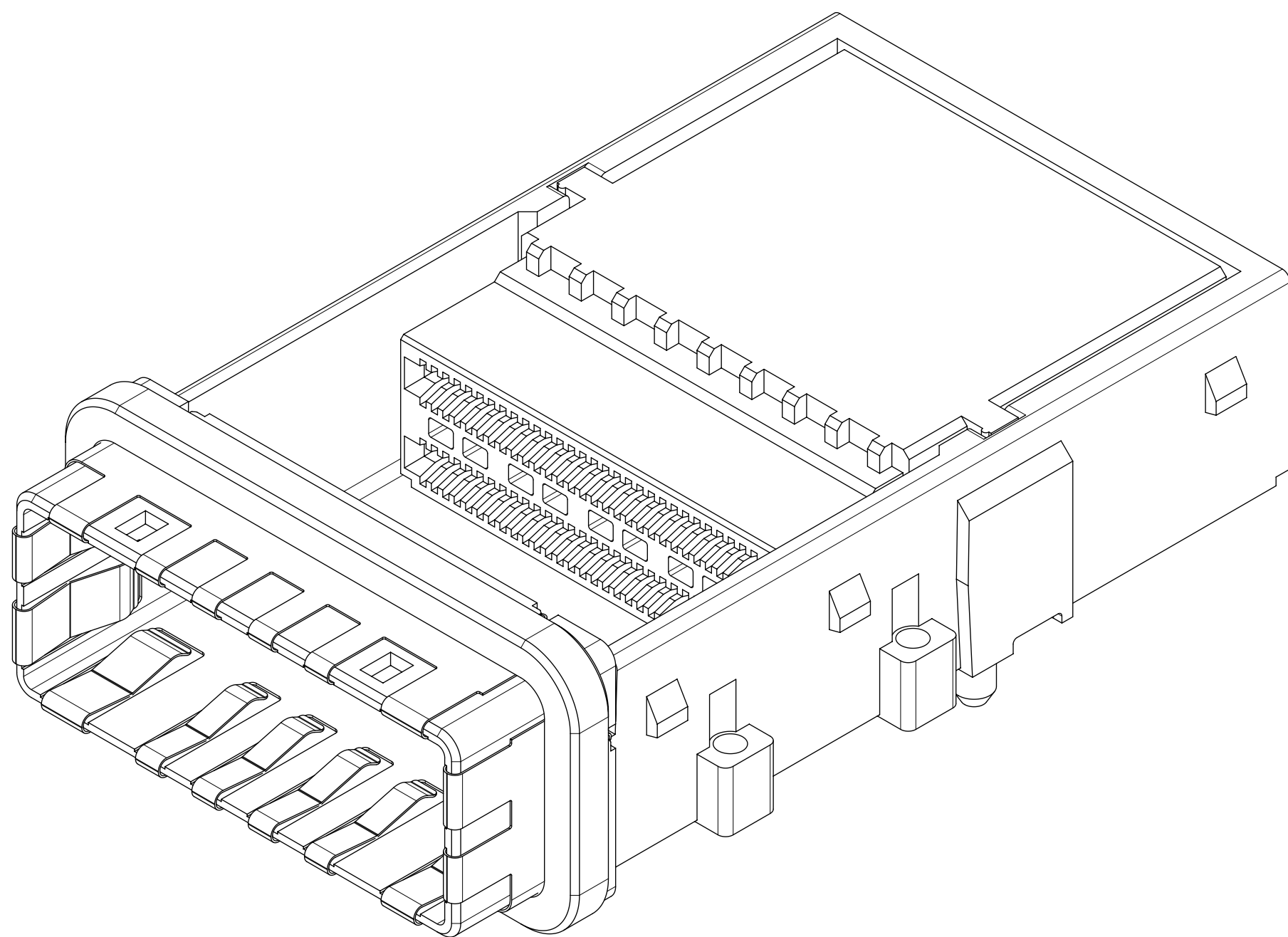


NOTES:

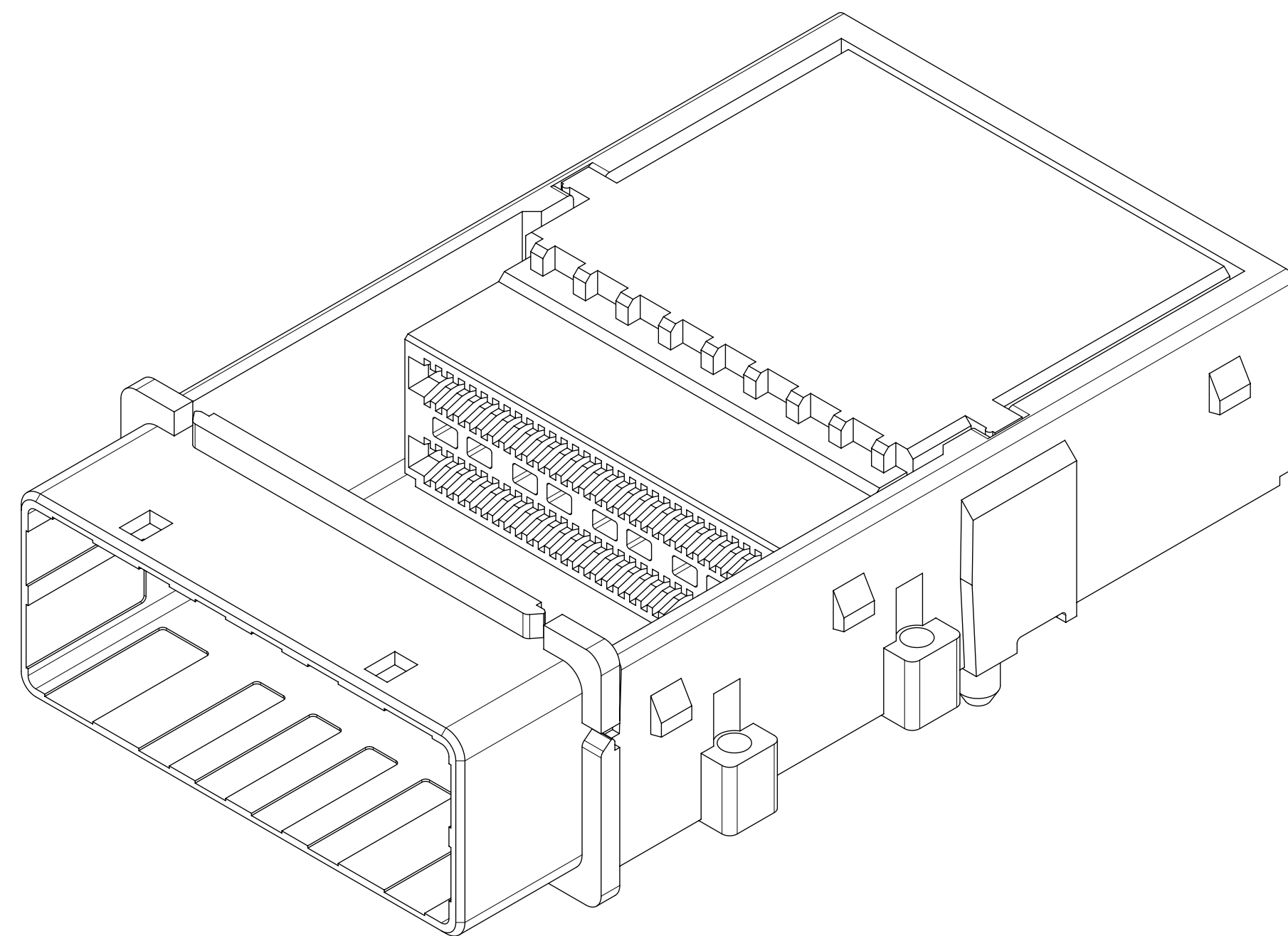
- MATERIALS:
 WAFER HOUSING
 HIGH TEMPERATURE THERMOPLASTIC
 GLASS-FILLED, UL 94V-0
 DIE CAST HOUSING: NICKEL PLATED DIE CAST ALLOY
 COVER: STAINLESS STEEL ALLOY
 EMI GASKET: CONDUCTIVE POLYMER
 EMI FINGERS: NICKEL PLATED COPPER ALLOY
- FINISHES:
 PLATING:
 CONTACT AREA
 0.76µm MIN GOLD OVER 2.54µm MIN NICKEL
 COMPLIANT TAIL AREA
 0.76-1.52µm TIN OVER 1.27µm MIN NICKEL
- PRODUCT SPECIFICATION: PS-173359-0001
- PACKAGING SPECIFICATION: PK-170834-0001
- MATES WITH: MOLEX CABLE SERIES 200433.
- MOUNTING HARDWARE REQUIRED:
 M2x0.4 CAP SCREWS (3)
 LENGTH: PCB THICKNESS + 3.0 MIN (6.0 MM MAX)
- APPLICATION SPECIFICATION: AS-173359-0002
- ROUTING GUIDELINE: AS-173359-0001



THIS DRAWING CONTAINS INFORMATION THAT IS PROPRIETARY TO MOLEX ELECTRONIC TECHNOLOGIES, LLC AND SHOULD NOT BE USED WITHOUT WRITTEN PERMISSION												
ADD SPECS EC NO: 113374 DRWN: MHANUMAPPARE CHKD: DACHAMMER REV APPR: SMILLER	2016/11/29		2017/02/09		2017/02/14		GENERAL TOLERANCES (UNLESS SPECIFIED)		DIMENSION UNITS		SCALE	
	4 PLACES		±		3 PLACES		±		MM ONLY		2:1	
	3 PLACES		±		2 PLACES		± 0.25		DACHAMME		DATE 2015/11/13	
	2 PLACES		±		1 PLACE		±		CHKD BY		DATE 2017/02/09	
	1 PLACE		±		0 PLACES		±		DACHAMMER		DATE 2017/02/09	
	0 PLACES		±		DRAFT WHERE APPLICABLE		MUST REMAIN WITHIN DIMENSIONS		SMILLER		DATE 2017/02/14	
	DRAWING SIZE		C		THIRD ANGLE PROJECTION		SERIES		MATERIAL NUMBER		CUSTOMER	
	173359		SEE SHEET 2		GENERAL MARKET		PRODUCT CUSTOMER DRAWING		DOCUMENT NUMBER		SD-173359-0001	
	DOCTYPE		PSD		DOC PART		000		SHEET NUMBER		1 OF 6	



1733590001 SHOWN
WITH EMI FINGERS AND EMI GASKET



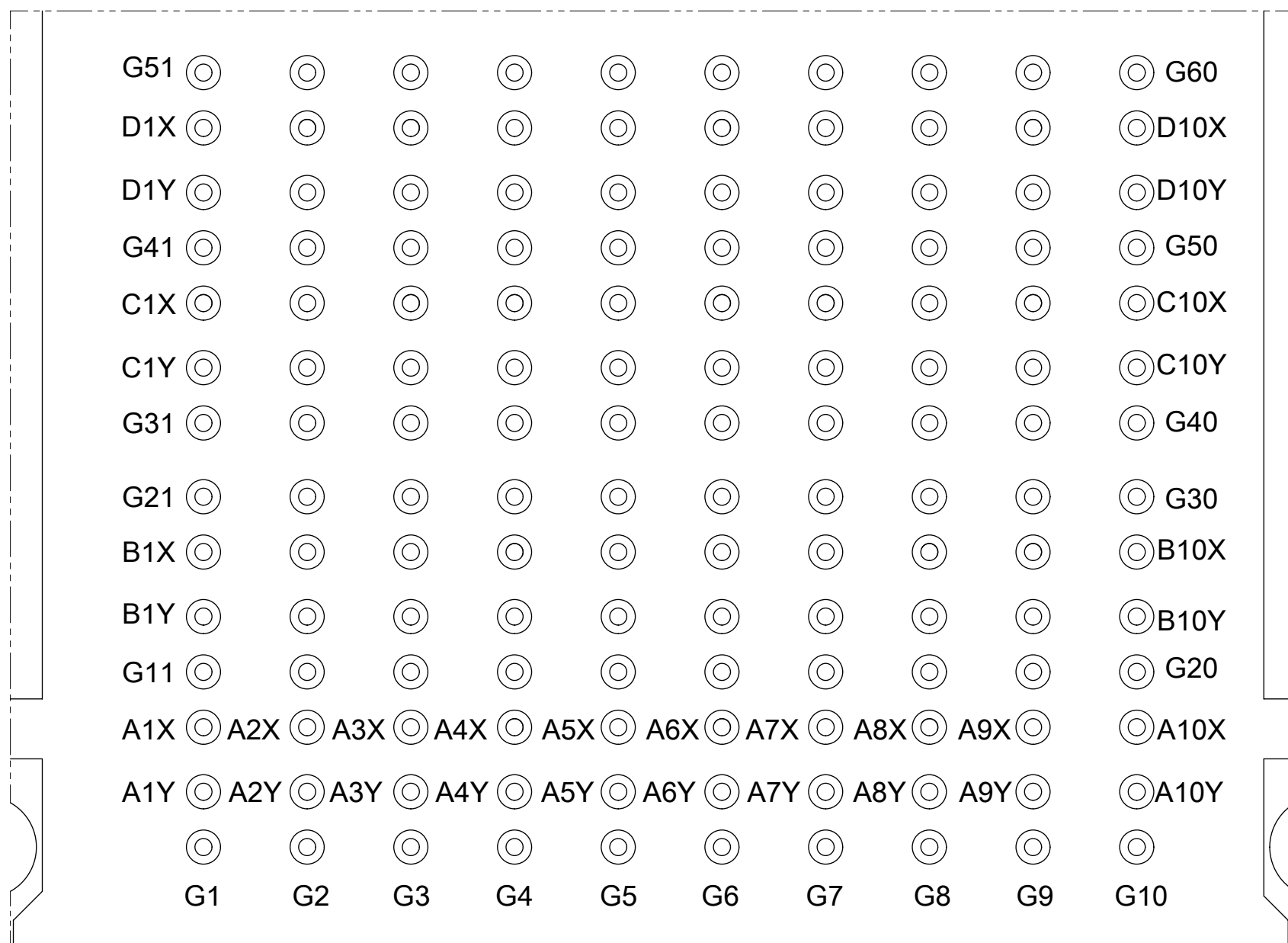
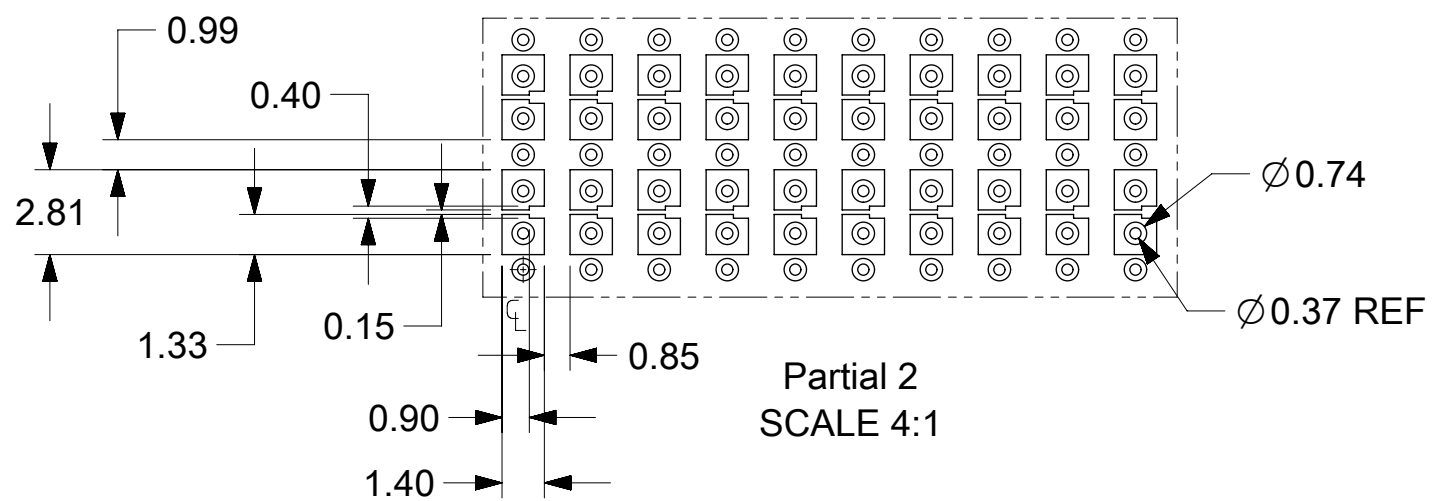
1733590002 SHOWN
NO EMI FINGERS AND NO GASKET

MATERIAL NUMBER	WITH EMI FINGERS	WITH EMI GASKET
1733590001	YES	YES
1733590002	NO	NO

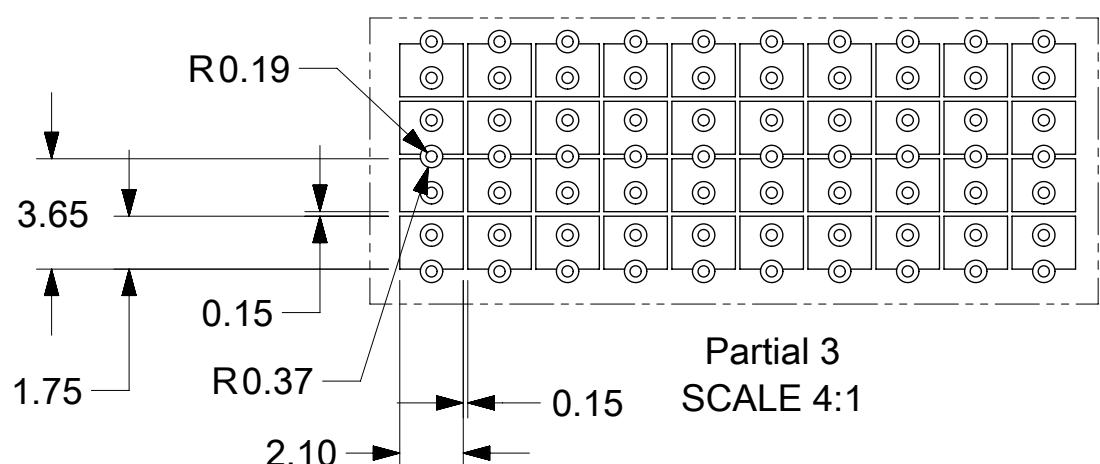
THIS DRAWING CONTAINS INFORMATION THAT IS PROPRIETARY TO MOLEX ELECTRONIC TECHNOLOGIES, LLC AND SHOULD NOT BE USED WITHOUT WRITTEN PERMISSION

ADD SPECS EC NO: 113374 DRWN: MHANUMAPPARE 2016/11/29 CHKD: DACHAMMER 2017/02/09 REV: APPR: SMILLER 2017/02/14	GENERAL TOLERANCES (UNLESS SPECIFIED)		DIMENSION UNITS	SCALE		
	ANGULAR TOL ± 0.5 °		MM ONLY	4:1		
	4 PLACES ±	DRWN BY	DATE			
	3 PLACES ±	DACHAMME	2015/11/13			
	2 PLACES ± 0.25	CHKD BY	DATE			
	1 PLACE ±	DACHAMMER	2017/02/09			
	0 PLACES ±	APPR BY	DATE			
	DRAFT WHERE APPLICABLE MUST REMAIN WITHIN DIMENSIONS		SMILLER	2017/02/14		
			DRAWING SIZE	THIRD ANGLE PROJECTION		
			C			
		SERIES	MATERIAL NUMBER	CUSTOMER		
		173359	SEE TABLE	GENERAL MARKET		
		DOCUMENT NUMBER		DOC TYPE		
		SD-173359-0001		PSD		
		DOC PART	SHEET NUMBER			
		000	2 OF 6			

ABOVE AND BELOW SIGNAL LAYERS



TOP AND BOTTOM EMI LAYER AND ALL OTHER LAYERS WITHIN BOARD

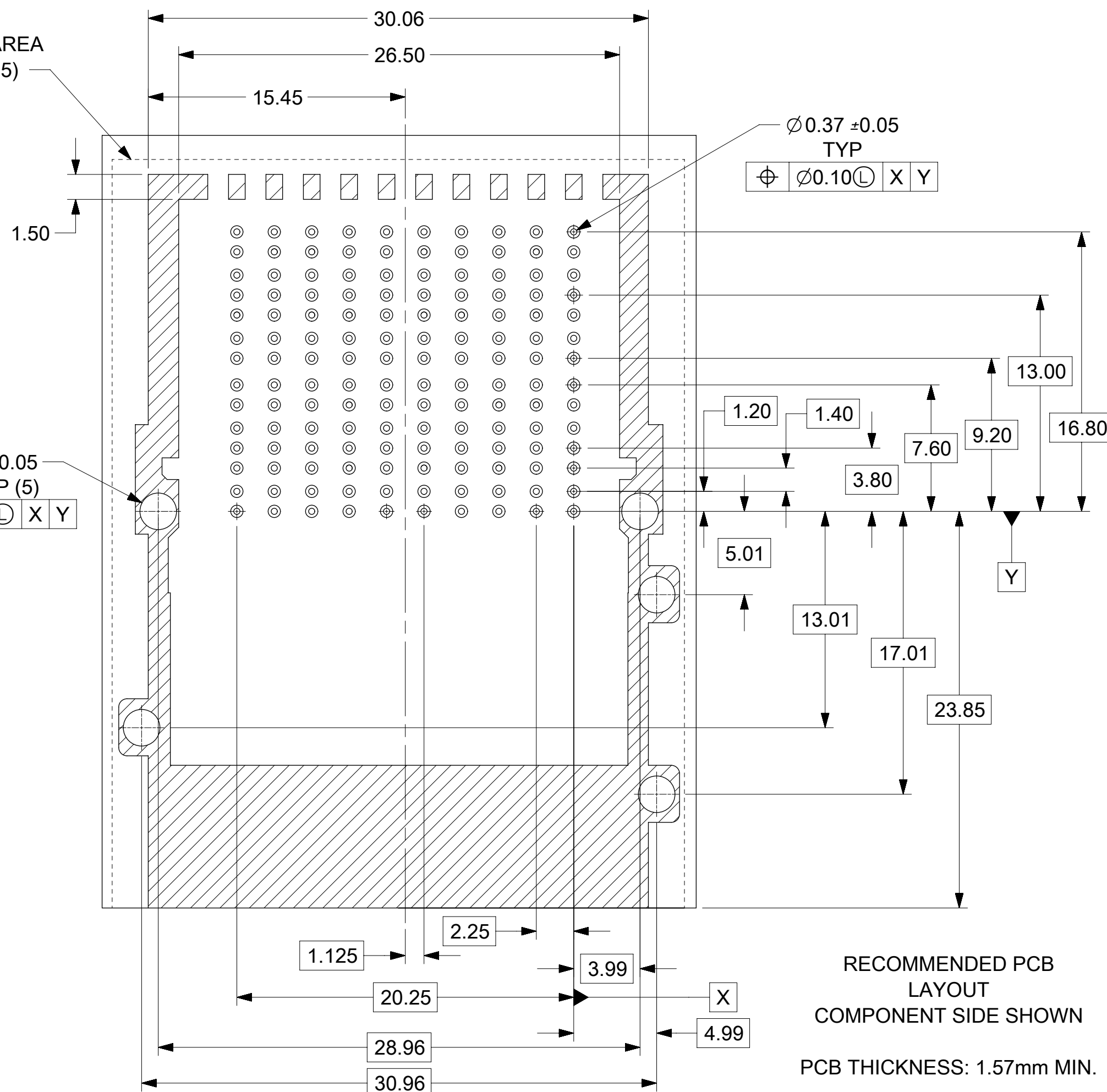


NOTES:

1. GROUNDS G1-G30 ARE ALL COMMON
GROUNDS G31-G60 ARE ALL COMMON
2. CROSS-HATCHED AREA TO BE CONDUCTIVE ON THE PCB.
3. RECOMMENDED DRILL SIZE FOR $0.37\varnothing$ FINISHED PTH IS $0.457\text{mm}\varnothing$ ($.018\text{in}\varnothing$ (#77. DRILL))
4. RECOMMENDED ANNULAR RING AROUND $0.37\varnothing$ FINISHED PTH IS $0.73\varnothing$
5. KEEP OUT AREA EXCEPTION:
WHEN ADJACENT CONNECTOR IS PRESENT IT WILL INTERLEAVE SHOWN KEEP OUT AREA)

KEEP OUT AREA (SEE NOTE 5)

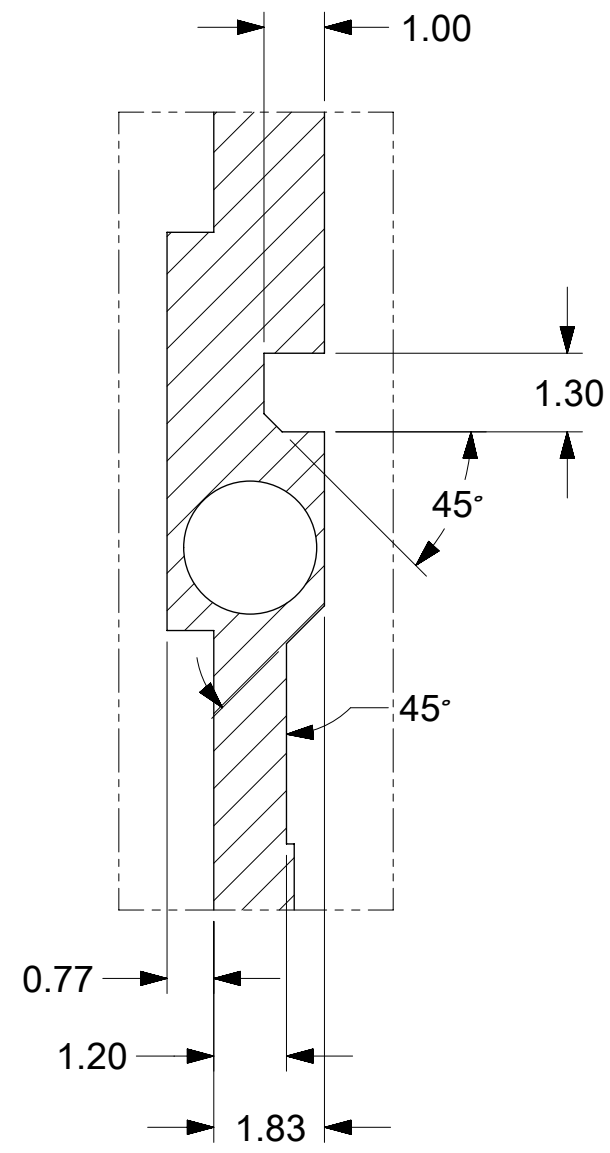
$\varnothing 2.20 \pm 0.05$
PTH TYP (5)



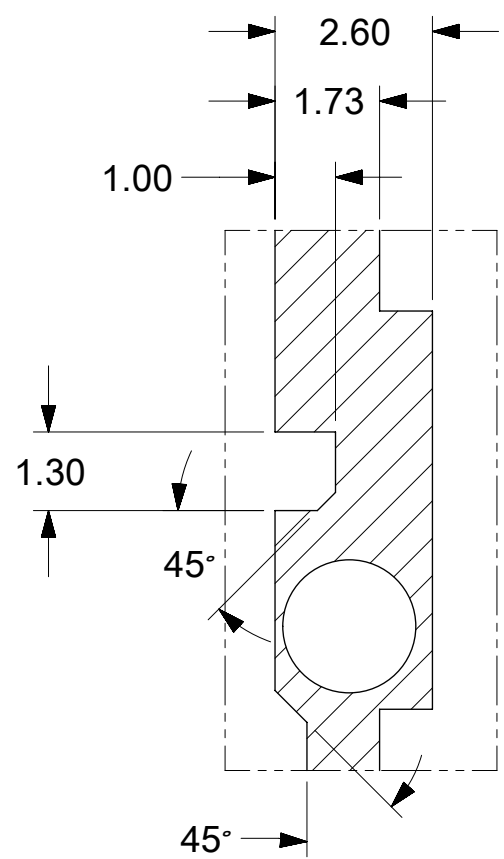
THIS DRAWING CONTAINS INFORMATION THAT IS PROPRIETARY TO MOLEX ELECTRONIC TECHNOLOGIES, LLC AND SHOULD NOT BE USED WITHOUT WRITTEN PERMISSION

ADD SPECS EC NO: 113374 DRWN: MHANUMAPPARE CHKD: DACHAMMER REV APPR: SMILLER	2016/11/29	2017/02/09	2017/02/14	GENERAL TOLERANCES (UNLESS SPECIFIED)	DIMENSION UNITS	SCALE	<p>ZCD 90 OHM 16X STYLE 1 ASSEMBLY</p> <p>PRODUCT CUSTOMER DRAWING</p>		
	4 PLACES	±		MM ONLY	4:1				
	3 PLACES	±		DRWN BY	DATE	DACHAMME 2015/11/13			
	2 PLACES	±	0.25	CHKD BY	DATE	DACHAMMER 2017/02/09			
1 PLACE	±		APPR BY	DATE	SMILLER 2017/02/14	SERIES	MATERIAL NUMBER	CUSTOMER	
0 PLACES	±		DRAWING SIZE	THIRD ANGLE PROJECTION	C	173359	SEE SHEET 2	GENERAL MARKET	
DRAFT WHERE APPLICABLE MUST REMAIN WITHIN DIMENSIONS						DOCUMENT NUMBER	DOC TYPE	DOC PART	SHEET NUMBER
						SD-173359-0001	PSD	000	3 OF 6

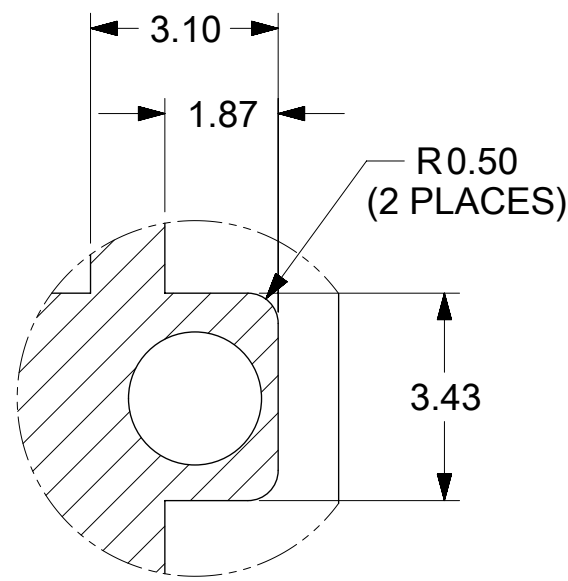
KEEP OUT AREAS



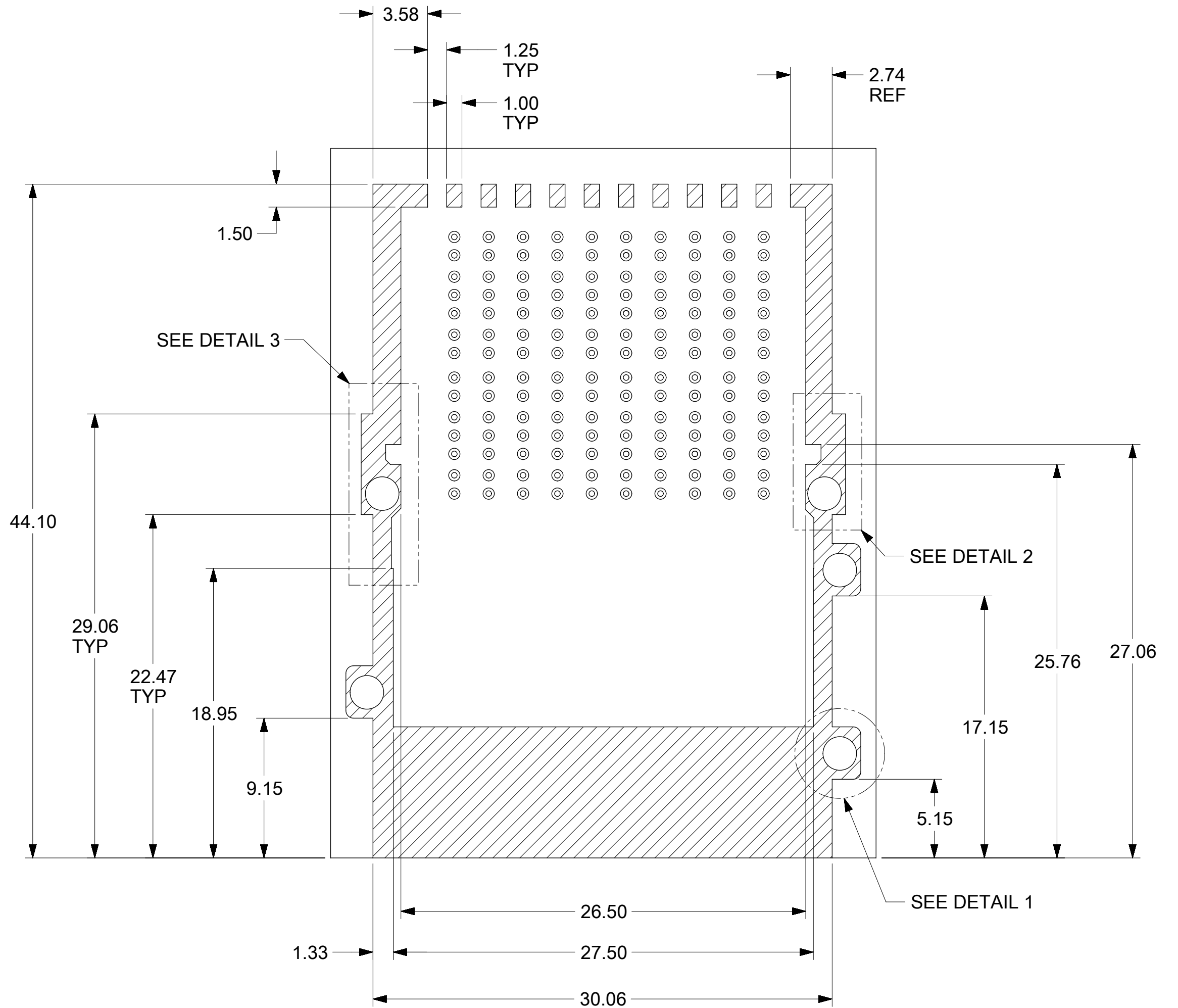
DETAIL 3
SCALE 8:1



DETAIL 2
SCALE 8:1

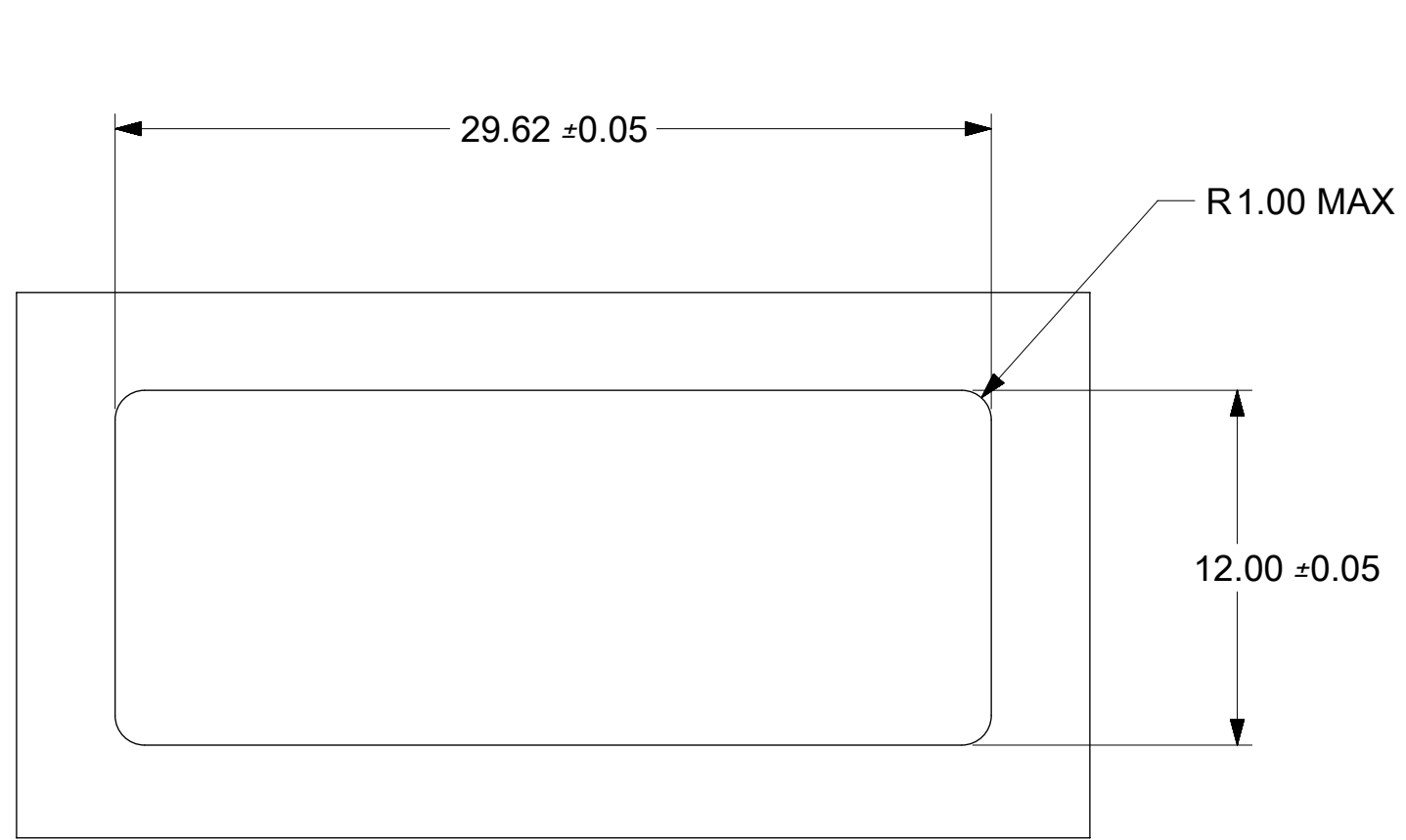


DETAIL 1
SCALE 8:1
(3 PLACES)

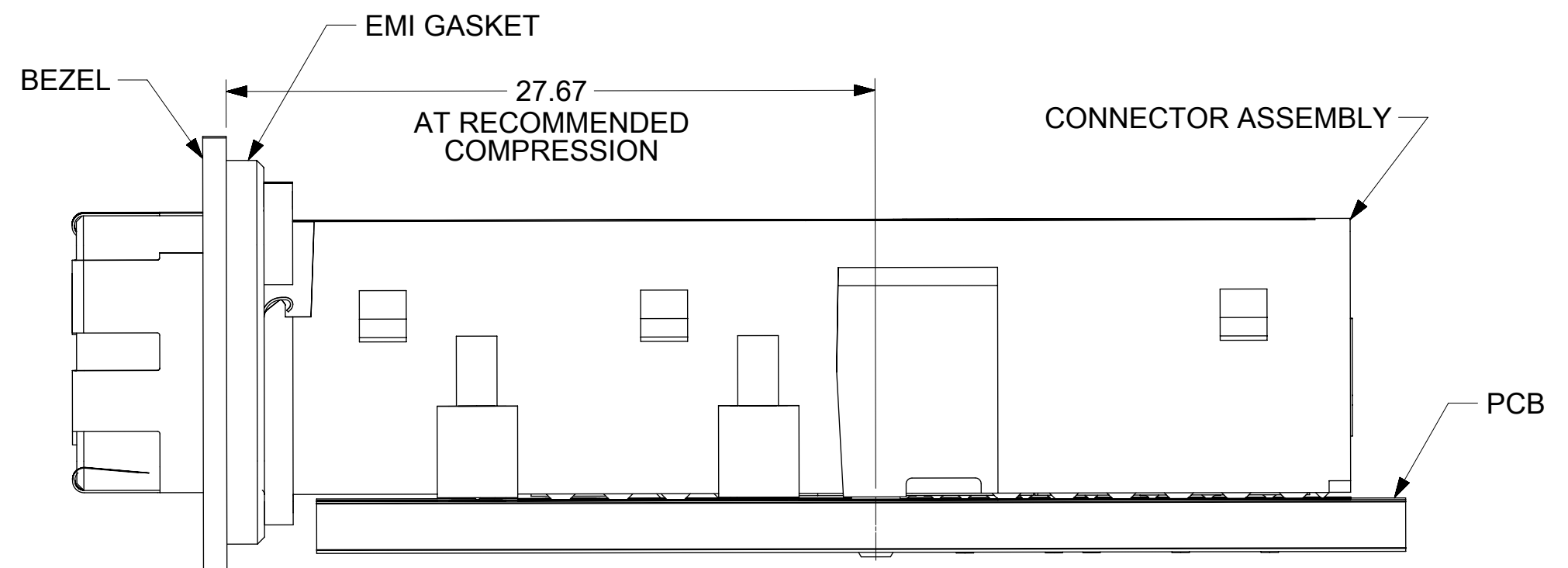
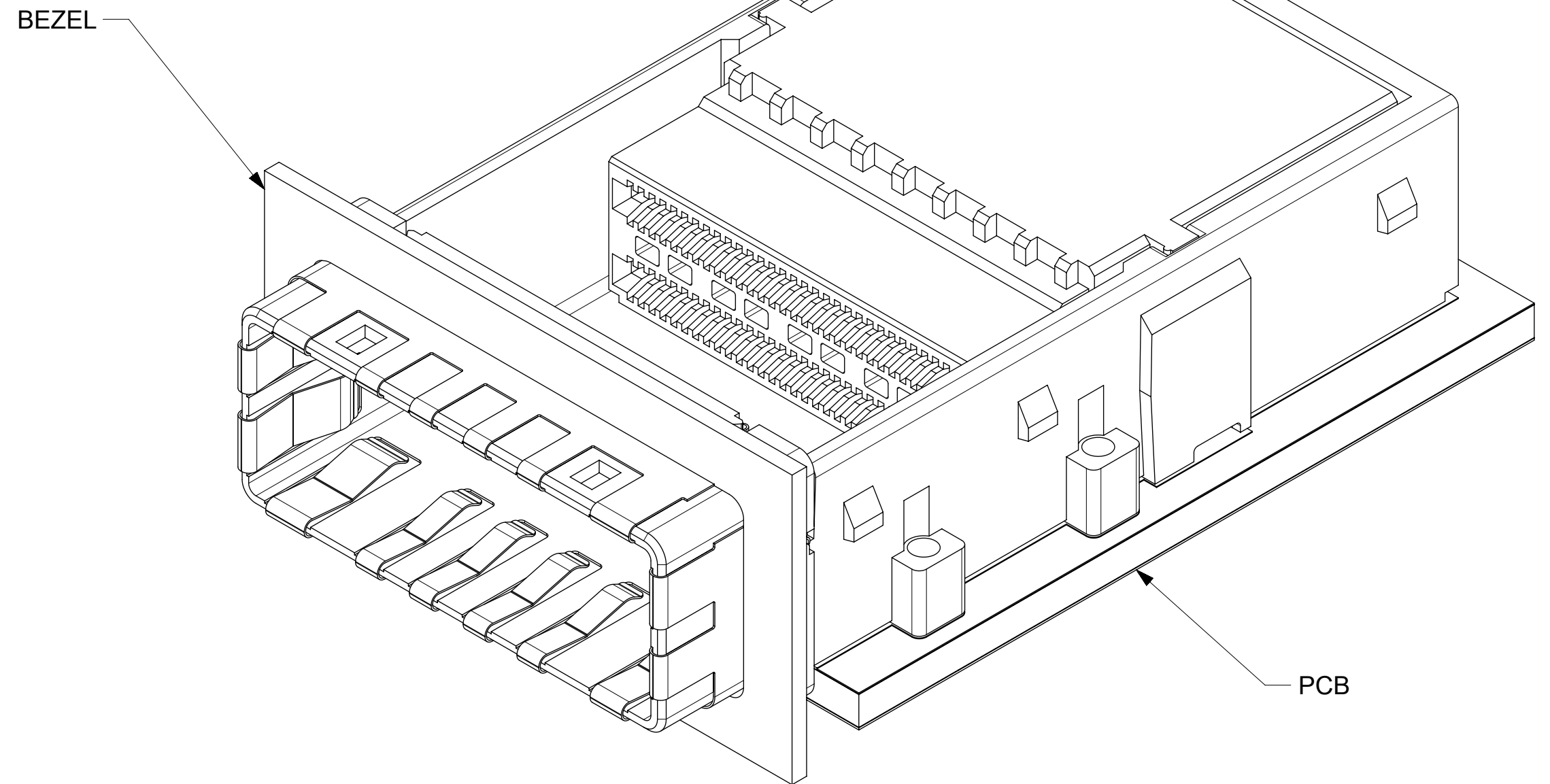
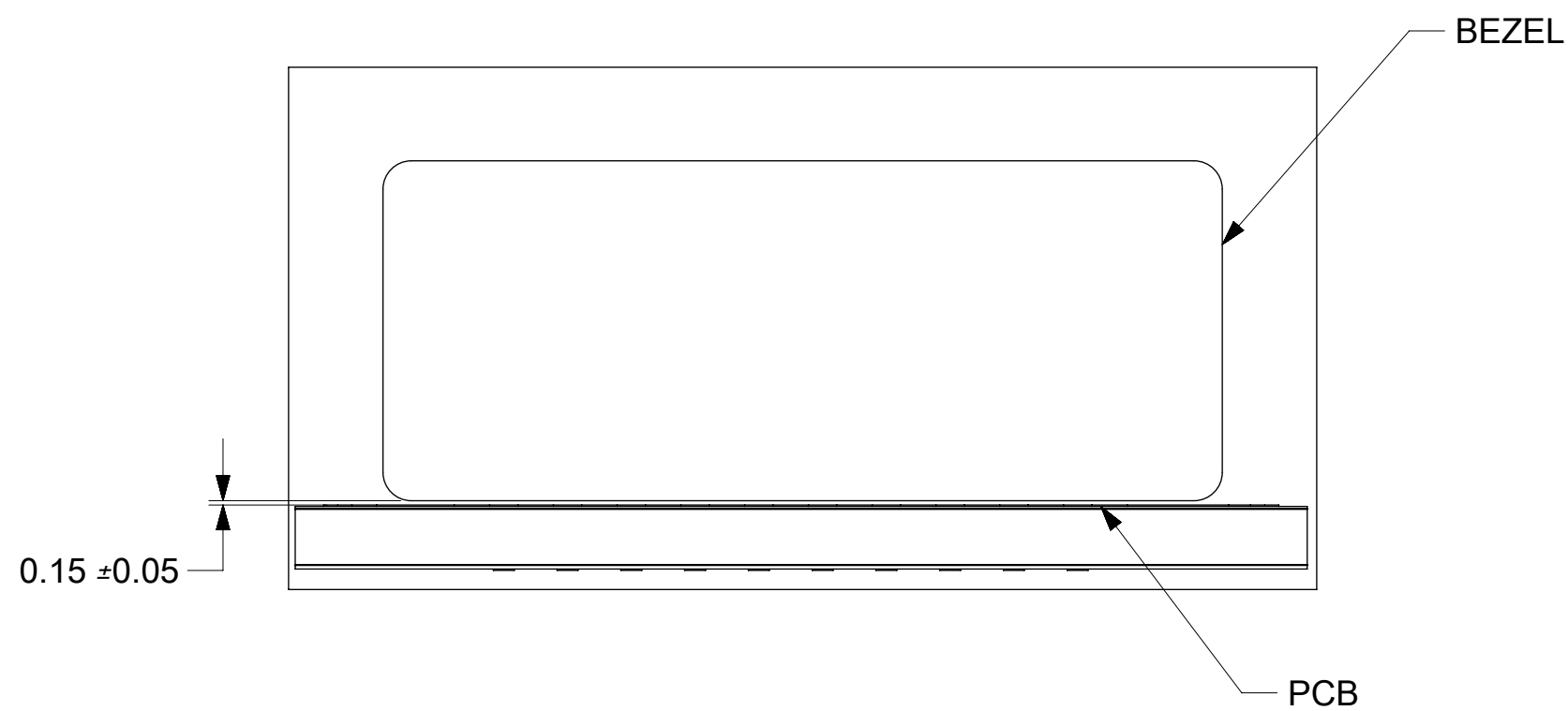


THIS DRAWING CONTAINS INFORMATION THAT IS PROPRIETARY TO MOLEX ELECTRONIC TECHNOLOGIES, LLC AND SHOULD NOT BE USED WITHOUT WRITTEN PERMISSION												
ADD SPECS EC NO: 113374 DRWN: MHANUMAPPARE CHKD: DACHAMMER REV / APPR: SMILLER	GENERAL TOLERANCES (UNLESS SPECIFIED)						DIMENSION UNITS MM ONLY		SCALE 4:1			
	ANGULAR TOL ± 0.5 °						DRWN BY DACHAMME		DATE 2015/11/13			
	4 PLACES ±						CHKD BY DACHAMMER		DATE 2017/02/09		PRODUCT CUSTOMER DRAWING SERIES: 173359 MATERIAL NUMBER: SEE SHEET 2 CUSTOMER: GENERAL MARKET	
	3 PLACES ±						APPR BY SMILLER		DATE 2017/02/14			
	2 PLACES ± 0.25						DRAWING SIZE C		THIRD ANGLE PROJECTION		DOCUMENT NUMBER SD-173359-0001	
	1 PLACE ±						DRAFT WHERE APPLICABLE MUST REMAIN WITHIN DIMENSIONS				DOC TYPE PSD	
0 PLACES ±										DOC PART 000		
										SHEET NUMBER 4 OF 6		

PANEL MOUNT CONFIGURATION



BEZEL CUT-OUT
(NOT SUPPLIED)



ASSEMBLED VIEW

NOTE:
1. MINIMUM PITCH BETWEEN TWO ADJACENT CONNECTORS IS 34mm.
2. BEZEL THICKNESS = 0.80 TO 2.4 mm

THIS DRAWING CONTAINS INFORMATION THAT IS PROPRIETARY TO MOLEX ELECTRONIC TECHNOLOGIES, LLC AND SHOULD NOT BE USED WITHOUT WRITTEN PERMISSION											
ADD SPECS EC NO: 113374 DRWN: MHANUMAPPARE CHKD: DACHAMMER REV / APPR: SMILLER	GENERAL TOLERANCES (UNLESS SPECIFIED)			DIMENSION UNITS	SCALE	molex ZCD 90 OHM 16X STYLE 1 ASSEMBLY					
	ANGULAR TOL ± 0.5 °			MM ONLY	4:1						
	4 PLACES ±	DRWN BY		DATE		PRODUCT CUSTOMER DRAWING					
	3 PLACES ±	DACHAMME		2015/11/13							
	2 PLACES ± 0.25	CHKD BY		DATE		SERIES MATERIAL NUMBER CUSTOMER					
	1 PLACE ±	DACHAMMER		2017/02/09							
0 PLACES ±	APPR BY		DATE		DOCUMENT NUMBER		DOC TYPE		DOC PART SHEET NUMBER		
DRAFT WHERE APPLICABLE MUST REMAIN WITHIN DIMENSIONS			DRAWING SIZE	THIRD ANGLE PROJECTION	SD-173359-0001		PSD		000 6 OF 6		