



Chipsmall Limited consists of a professional team with an average of over 10 year of expertise in the distribution of electronic components. Based in Hongkong, we have already established firm and mutual-benefit business relationships with customers from,Europe,America and south Asia,supplying obsolete and hard-to-find components to meet their specific needs.

With the principle of “Quality Parts,Customers Priority,Honest Operation,and Considerate Service”,our business mainly focus on the distribution of electronic components. Line cards we deal with include Microchip,ALPS,ROHM,Xilinx,Pulse,ON,Everlight and Freescale. Main products comprise IC,Modules,Potentiometer,IC Socket,Relay,Connector.Our parts cover such applications as commercial,industrial, and automotives areas.

We are looking forward to setting up business relationship with you and hope to provide you with the best service and solution. Let us make a better world for our industry!



Contact us

Tel: +86-755-8981 8866 Fax: +86-755-8427 6832

Email & Skype: info@chipsmall.com Web: www.chipsmall.com

Address: A1208, Overseas Decoration Building, #122 Zhenhua RD., Futian, Shenzhen, China



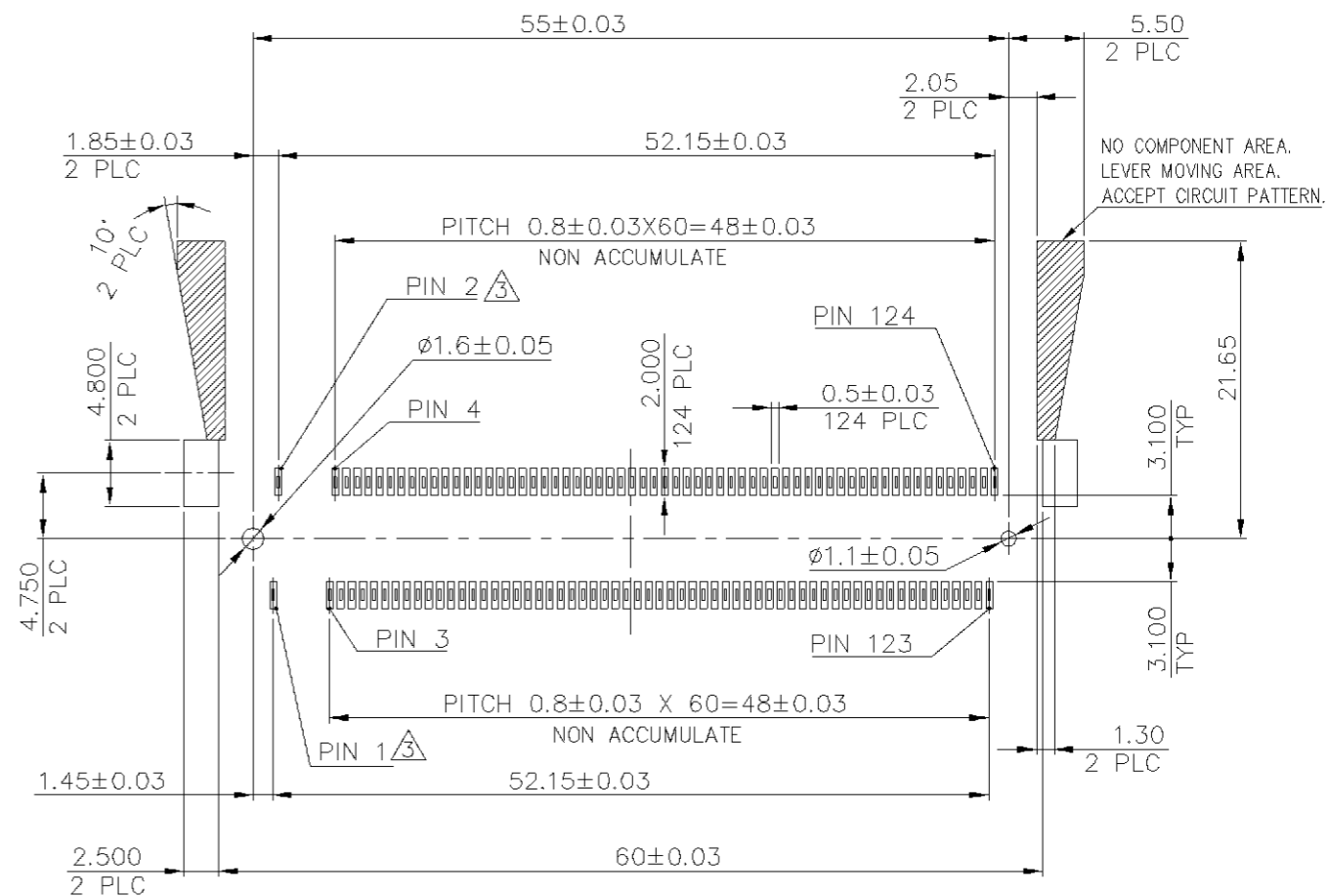
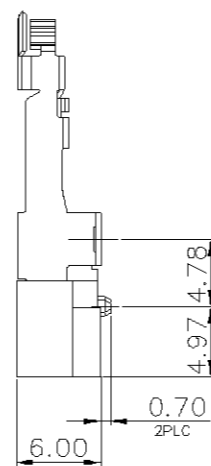
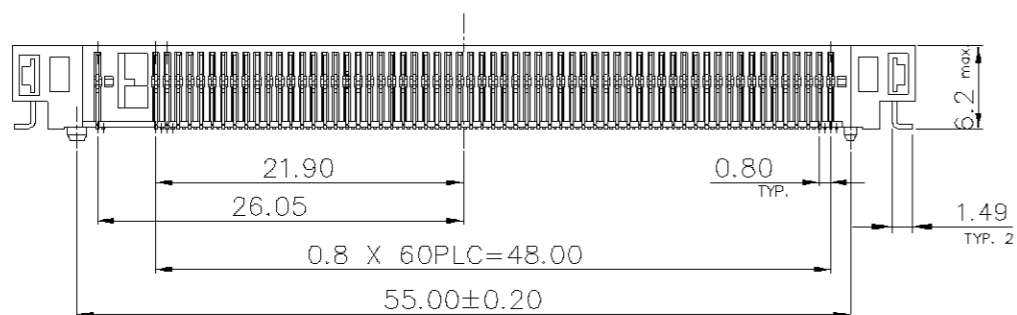
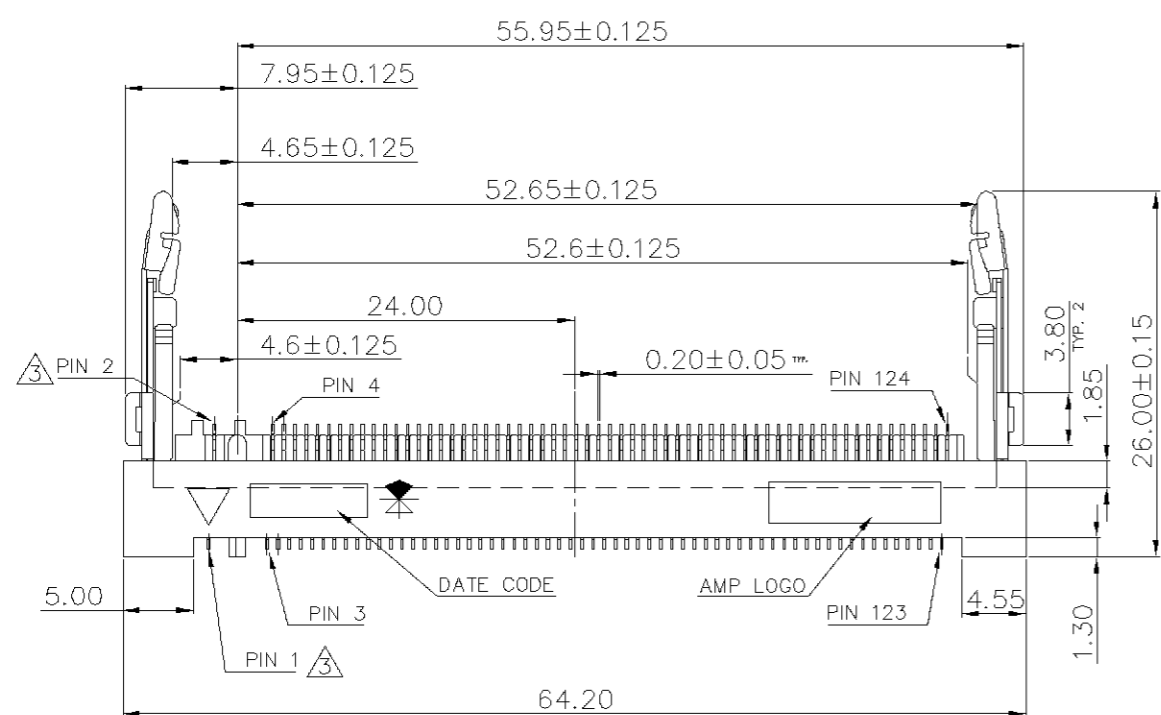
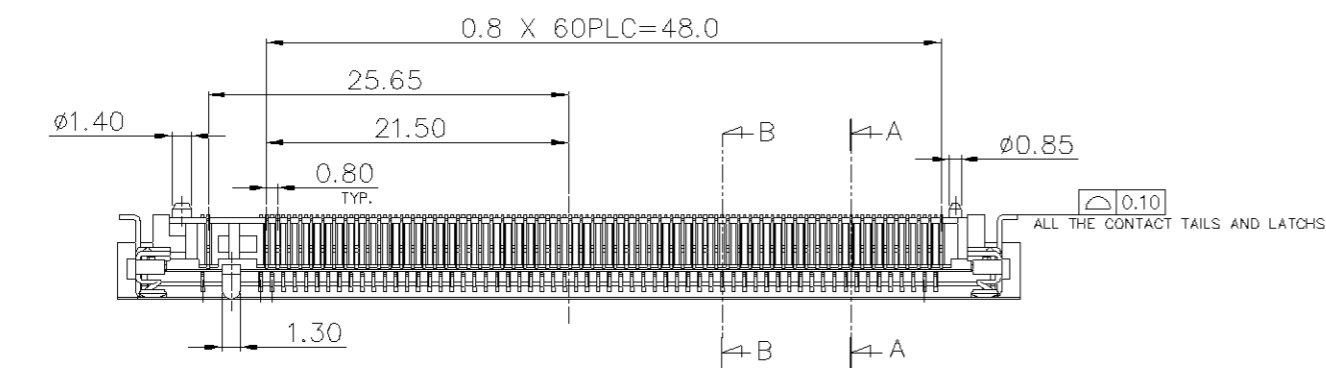
NUMBER
C-1734027

3RD ANGLE PROJECTION

METRIC

THIS INFORMATION IS CONFIDENTIAL AND IS DISCLOSED TO YOU ON CONDITION THAT NO FURTHER DISCLOSURE IS MADE BY YOU TO OTHER THAN AMP PERSONNEL WITHOUT WRITTEN AUTHORIZATION FROM AMP (TAIWAN) LTD. DIMENSIONS IN MILLIMETERS. DO NOT SCALE PRINT.

PRINT DIST DW



RECOMMENDED P.C.B. PATTERN LAYOUT
(CONNECTOR MOUNTING SIDE)

NOTE:

- MATERIAL:
HOUSING: HIGH TEMP. THERMOPLASTIC 30% GF, UL 94V-0, COLOR: BLACK.
CONTACTS: PHOSPHOR BRONZE.
LATCHES: STAINLESS STEEL.
- FINISH:
CONTACTS: 5μ" MIN. GOLD PLATED IN CONTACT AREA, 50μ" MIN. NICKEL UNDERPLATED ALL OVER, 100μ" MIN. TIN(MATTE) OVER 50μ" MIN. NICKEL ON SOLDER TAIL.
LATCHES: 80μ"~240μ" TIN(MATTE) OVER 50μ" MIN. NICKEL UNDERPLATING.

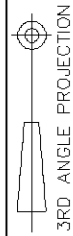
⚠ LACK OF PIN NO. 1 & 2

⚠ TAPE REEL	1-1734027-3
TAPE REEL	1734027-3
HARD TRAY	1734027-1
PACKAGE TYPE	PART NUMBER

TOLERANCES UNLESS OTHERWISE SPECIFIED: 0 PLC ± 0.25 1 PLC ± 0.15 2 PLC ± 0.1 3 PLC ± 0.05 ANGLES ± 2'	DWN S. HOU 03-SEP-2004	tyco TYCO HOLDINGS (BERMUDA) Electronics VII LTD. TAIWAN BRANCH NAME
MATERIAL SEE NOTE	CHK W.J. KE 03-SEP-2004	
FINISH SEE NOTE	APVD W.J. KE 03-SEP-2004	0.8 PITCH MINI PCI SOCKET, 6.0 HEIGHT, 124 POSITION
	PRODUCT SPEC 108-57437	LOC DW A ₃ C-1734027 REV B
	APPLICATION SPEC -	SCALE -- SHEET 1 OF 6
	WEIGHT 5.1 GRAM	

B	ADD P/N:1-3	FZ00-0205-04	SH WK	03SEP 2004
A	ADD P/N:-3	FZ00-0178-04	SH WK	13AUG 2004
O	FIRST RELEASED	FZ00-0250-03	JC JW	21OCT 2003
LTR	REVISION RECORD	ECN	DWN CHK	DATE

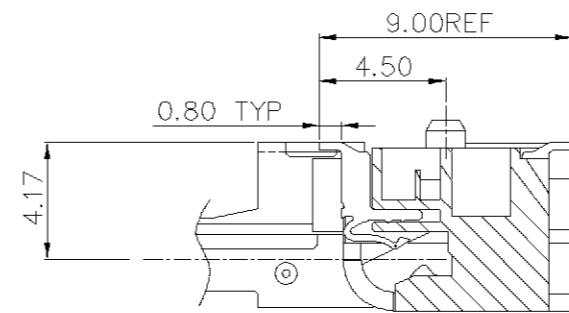
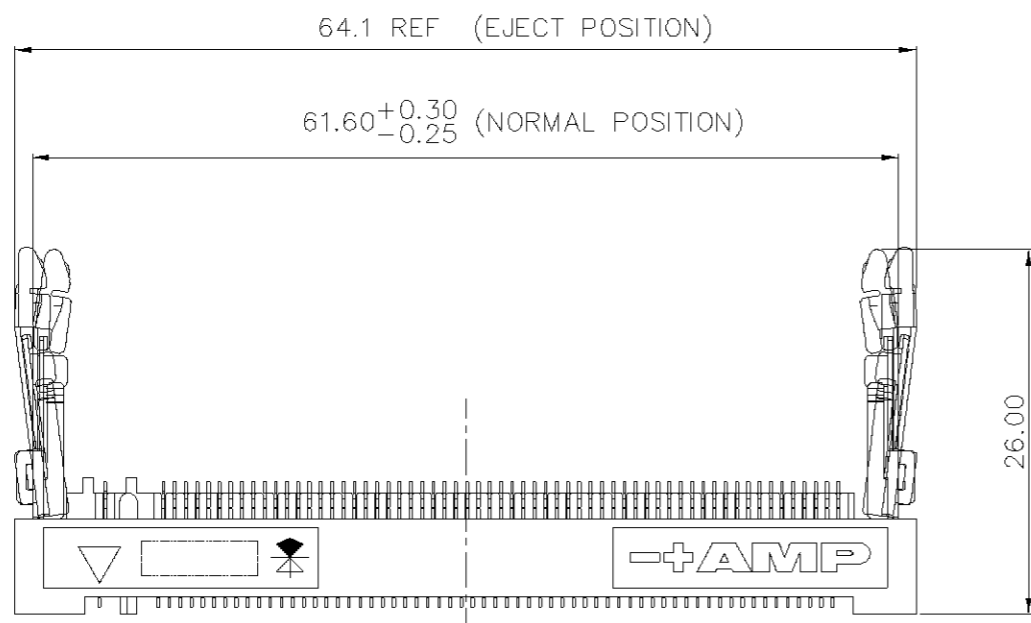
NUMBER
C-1734027



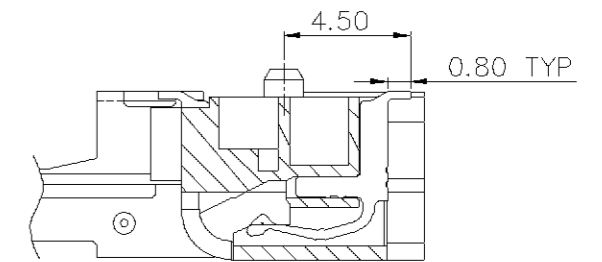
METRIC

THIS INFORMATION IS CONFIDENTIAL AND IS DISCLOSED TO YOU ON CONDITION THAT NO FURTHER DISCLOSURE IS MADE BY YOU TO OTHER THAN AMP PERSONNEL WITHOUT WRITTEN AUTHORIZATION FROM AMP (TAIWAN) LTD. DIMENSIONS IN MILLIMETERS. DO NOT SCALE PRINT.

PRINT DIST
DW



SEC A-A
SCALE 2:1



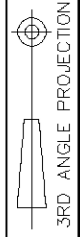
SEC B-B
SCALE 2:1

TOLERANCES UNLESS OTHERWISE SPECIFIED: 0 PLC ± 0.25 1 PLC ± 0.15 2 PLC ± 0.1 3 PLC ± 0.05 ANGLES ± 2'	DWN	S. HOU	tyco TYCO HOLDINGS (BERMUDA)			
	CHK	W.J. KE	VII LTD. TAIWAN BRANCH			
MATERIAL	APVD	W.J. KE	NAME 0.8 PITCH MINI PCI SOCKET, 6.0 HEIGHT, 124 POSITION			
-	PRODUCT SPEC	03-SEP-2004				
FINISH	APPLICATION SPEC	-	LOC	SIZE	DRAWING NO	REV
-	WEIGHT	-	DW	A ₃	C-1734027	B
SEE SHEET 1.	ECN	DWN	SCALE	SHEET		
REVISION RECORD	CHK	DATE	--	2 OF 6		

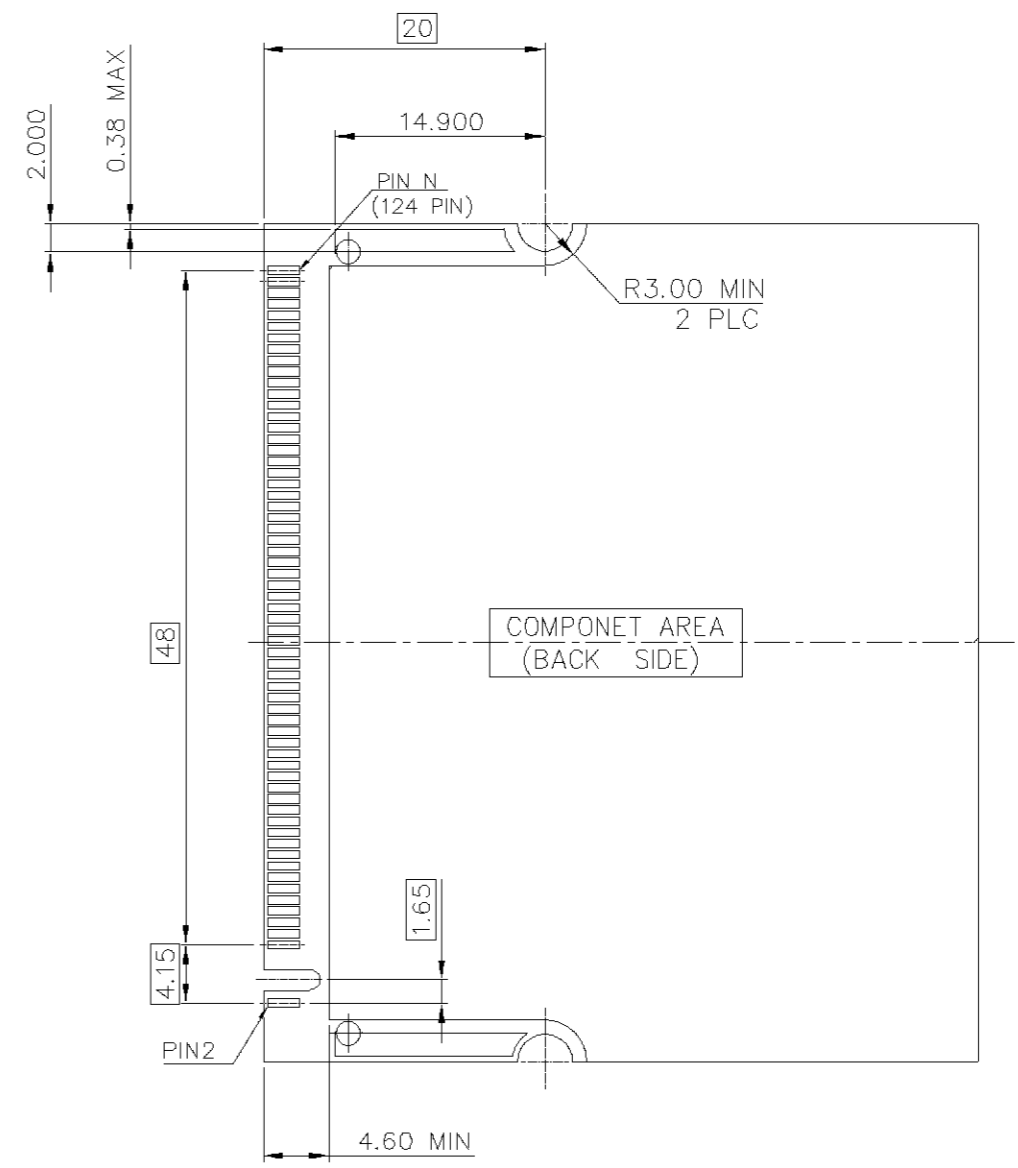
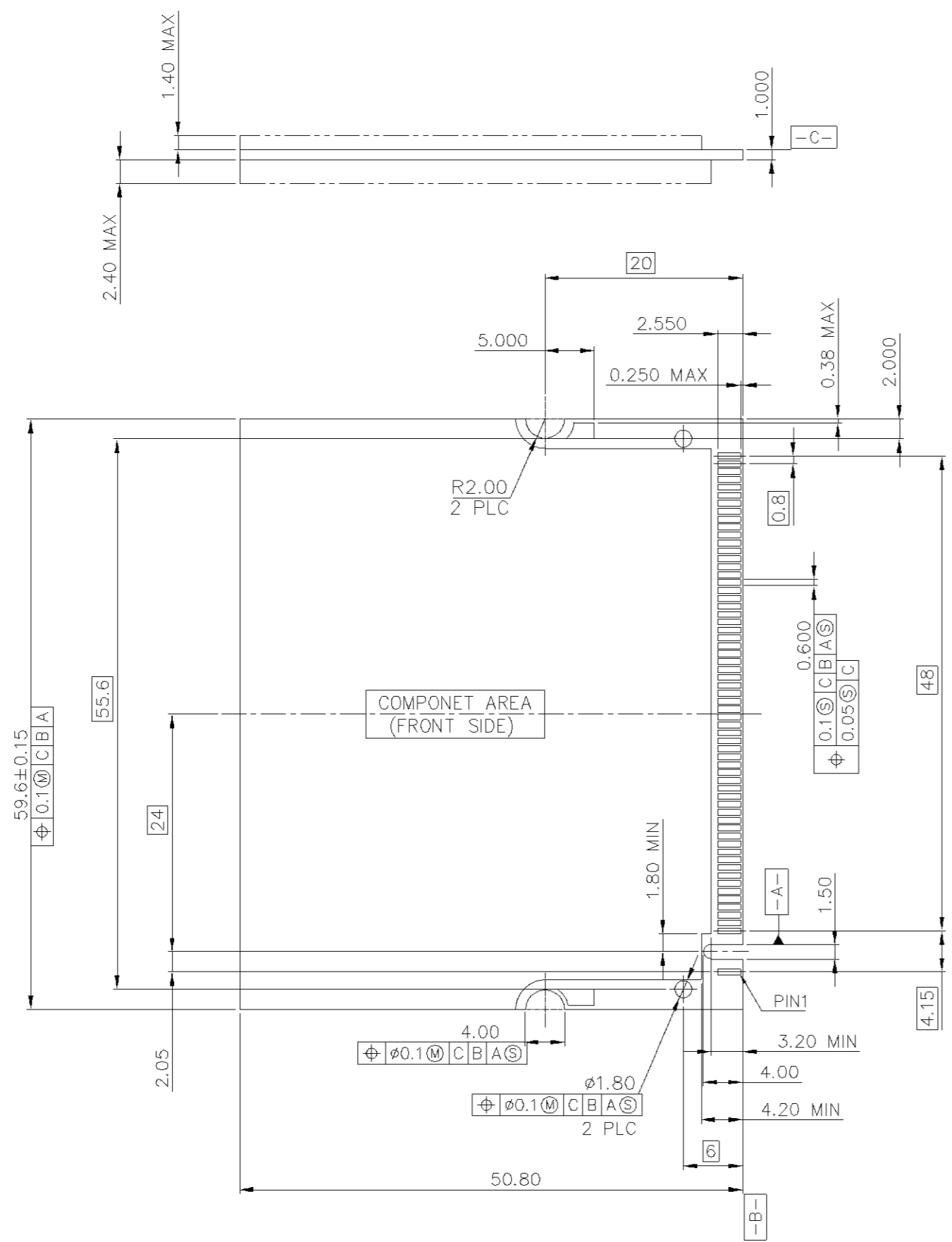
THIS INFORMATION IS CONFIDENTIAL AND IS DISCLOSED TO YOU ON CONDITION THAT NO FURTHER DISCLOSURE IS MADE BY YOU TO OTHER THAN AMP PERSONNEL WITHOUT WRITTEN AUTHORIZATION FROM AMP (TAIWAN) LTD. DIMENSIONS IN MILLIMETERS. DO NOT SCALE PRINT.

PRINT DIST
DW

METRIC



NUMBER
C-1734027



TOLERANCES UNLESS OTHERWISE SPECIFIED:		DWN	S. HOU	tyco TYCO HOLDINGS (BERMUDA) VII LTD. TAIWAN BRANCH
0 PLC ± 0.25		CHK	03-SEP-2004	
1 PLC ± 0.15		W.J. KE		NAME
2 PLC ± 0.1		03-SEP-2004		
3 PLC ± 0.05		W.J. KE		0.8 PITCH MINI PCI SOCKET, 6.0 HEIGHT, 124 POSITION
ANGLES ± 2'		03-SEP-2004		
MATERIAL	-	APVD	W.J. KE	LOC SIZE DRAWING NO REV DW A ₃ C-1734027 B
FINISH	-	PRODUCT SPEC	03-SEP-2004	
		APPLICATION SPEC		SCALE SHEET -- 3 OF 6
		WEIGHT		

SEE SHEET 1.	ECN	DWN	CHK	DATE
LTR	REVISION RECORD			

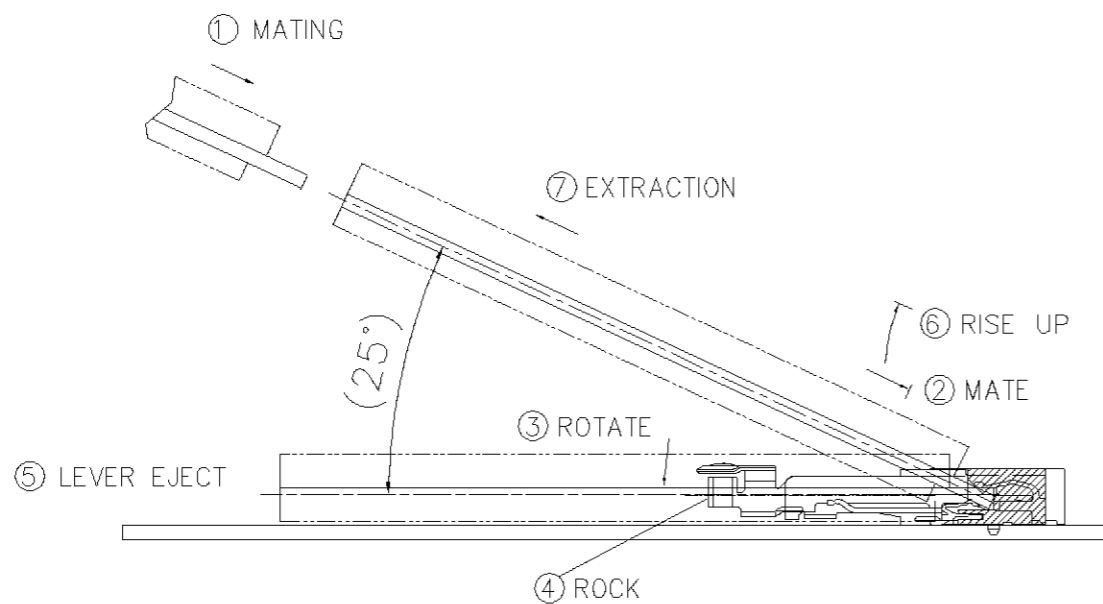
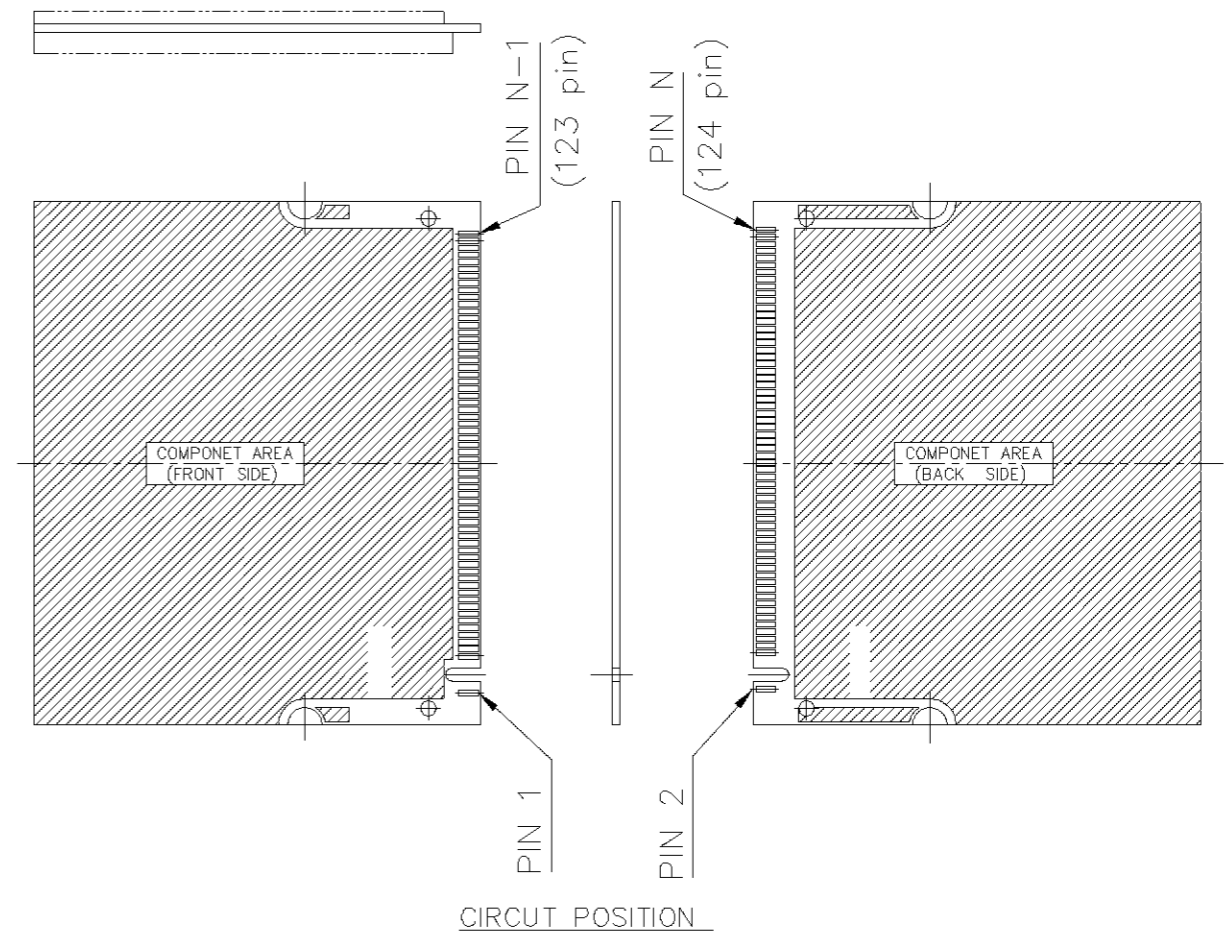
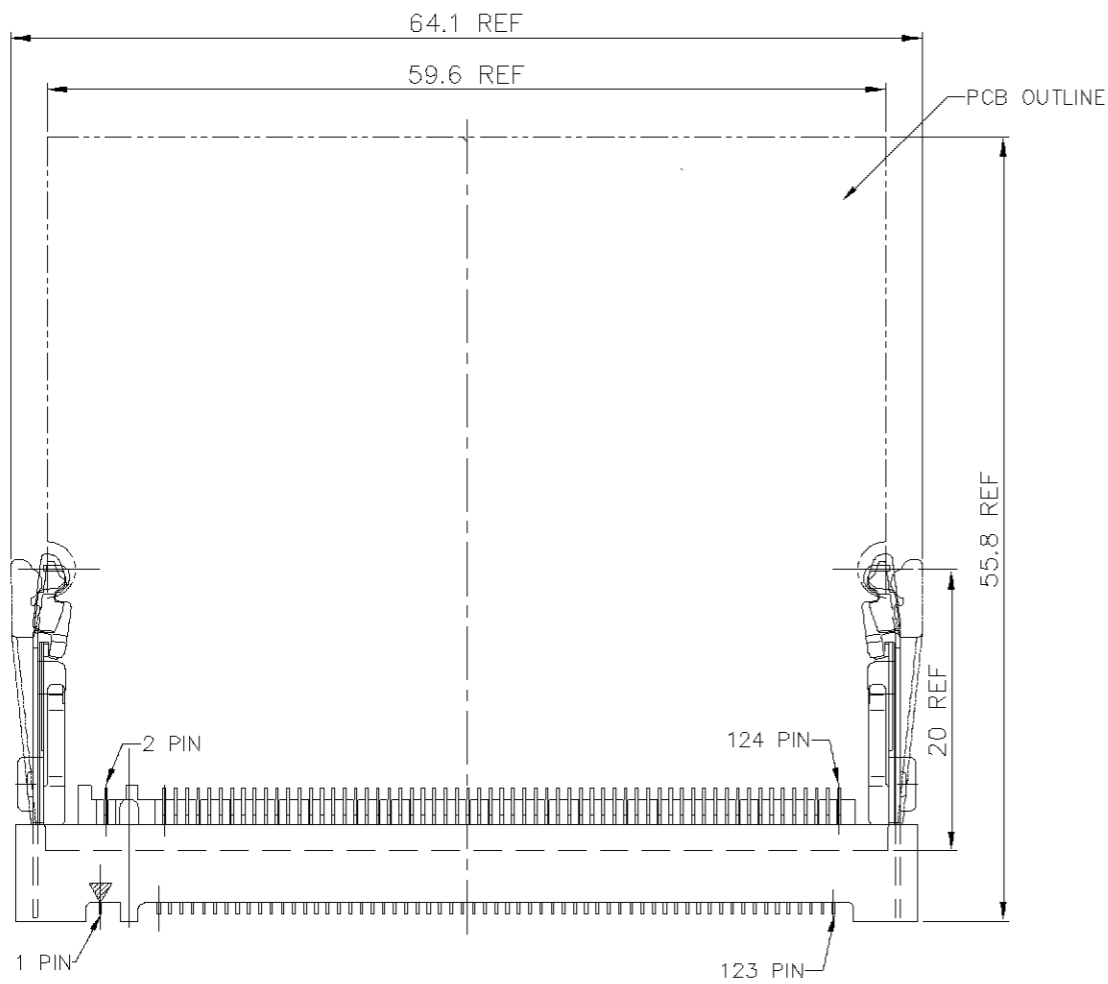
NUMBER
C-1734027

3RD ANGLE PROJECTION

METRIC

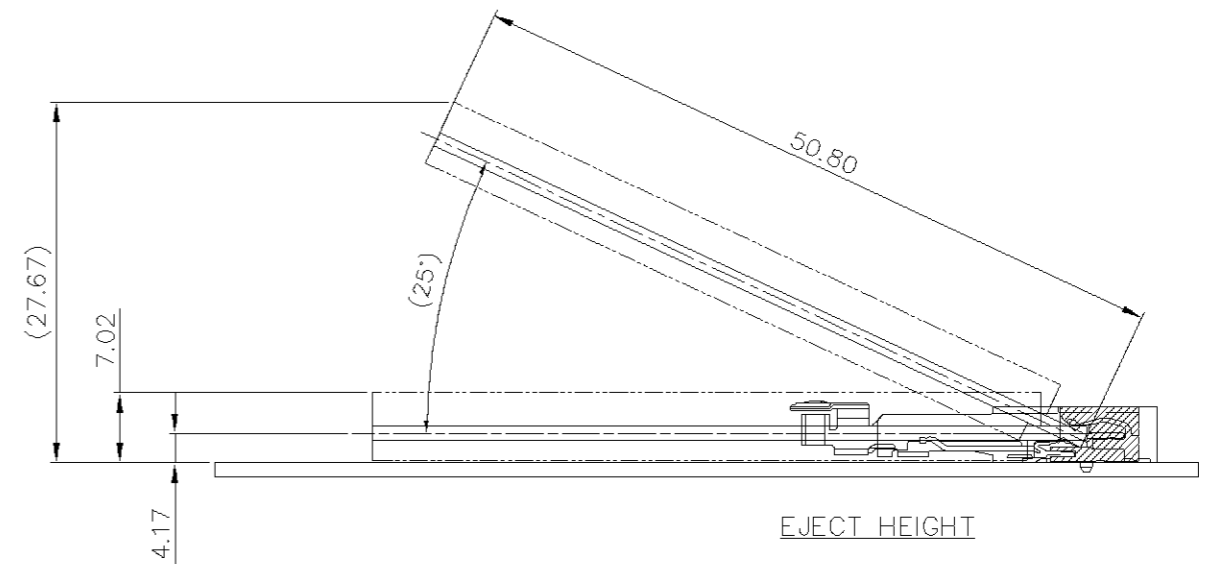
THIS INFORMATION IS CONFIDENTIAL AND IS DISCLOSED TO YOU ON CONDITION THAT NO FURTHER DISCLOSURE IS MADE BY YOU TO OTHER THAN AMP PERSONNEL WITHOUT WRITTEN AUTHORIZATION FROM AMP (TAIWAN) LTD. DIMENSIONS IN MILLIMETERS. DO NOT SCALE PRINT.

PRINT DIST
DW



HOW TO MATE AND UNMATE

MATE: ① ~ ④
UNMATE: ⑤ ~ ⑦



EJECT HEIGHT

TOLERANCES UNLESS OTHERWISE SPECIFIED: 0 PLC ±0.25 1 PLC ±0.15 2 PLC ±0.1 3 PLC ±0.05 ANGLES ±2'		DWN S. HOU 03-SEP-2004	tyco TYCO HOLDINGS (BERMUDA) Electronics VII LTD. TAIWAN BRANCH NAME
MATERIAL -		CHK W.J. KE 03-SEP-2004	
FINISH -		APVD W.J. KE 03-SEP-2004	0.8 PITCH MINI PCI SOCKET, 6.0 HEIGHT, 124 POSITION
		PRODUCT SPEC	LOC SIZE DRAWING NO REV DW A ₃ C-1734027 B
		APPLICATION SPEC	SCALE SHEET -- 4 OF 6
		WEIGHT	

SEE SHEET 1.			
LTR	REVISION RECORD	ECN	DWN CHK DATE

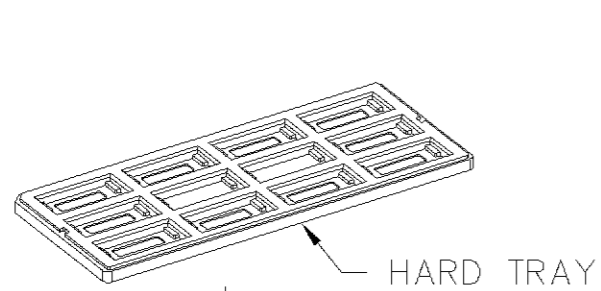
NUMBER
C-1734027

3RD ANGLE PROJECTION

METRIC

THIS INFORMATION IS CONFIDENTIAL AND IS DISCLOSED TO YOU ON CONDITION THAT NO FURTHER DISCLOSURE IS MADE BY YOU TO OTHER THAN AMP PERSONNEL WITHOUT WRITTEN AUTHORIZATION FROM AMP (TAIWAN) LTD. DIMENSIONS IN MILLIMETERS. DO NOT SCALE PRINT.

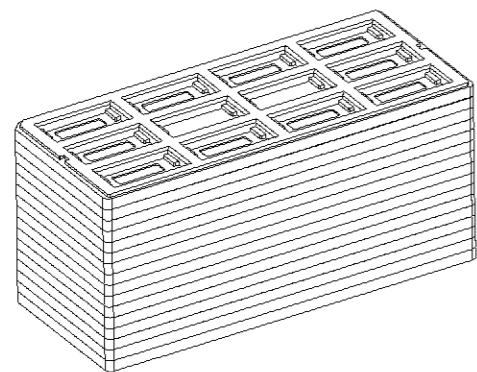
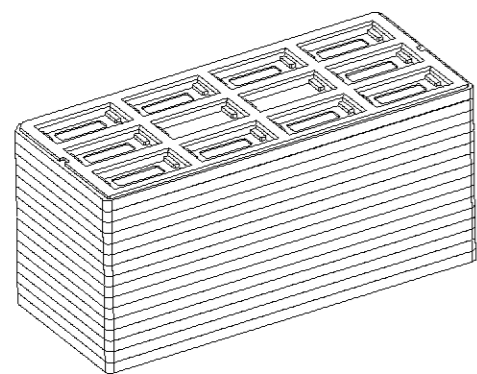
PRINT DIST
DW



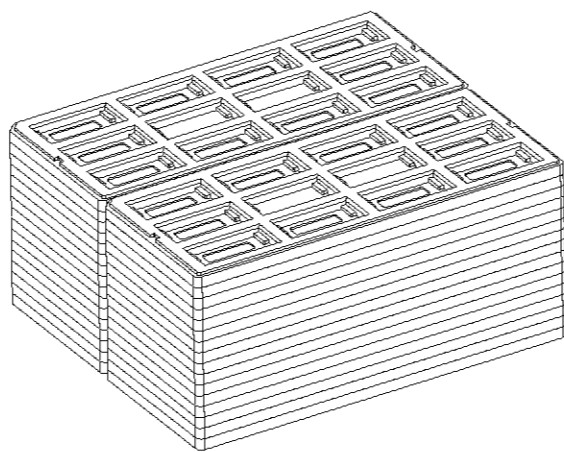
HARD TRAY



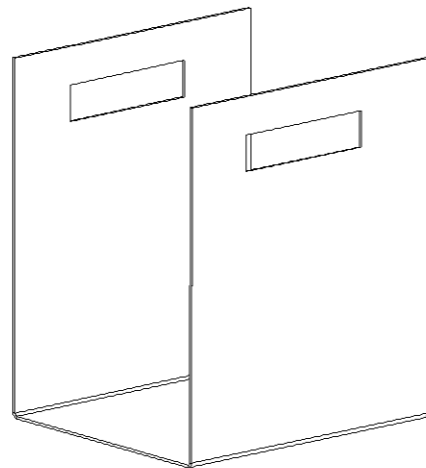
12PCS/HARDTRAY



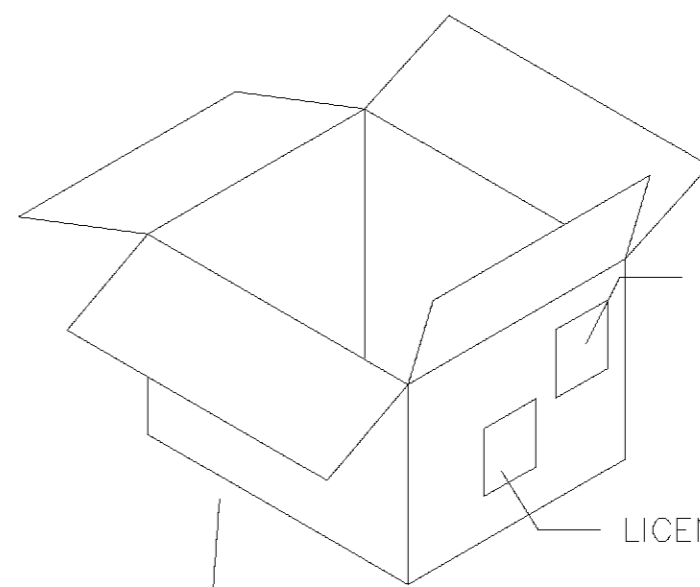
26 LAYERS HARDTRAY
THE TOP HARDTRAY IS EMPTY



CARTON
52PCS HARDTRAY/CARTON

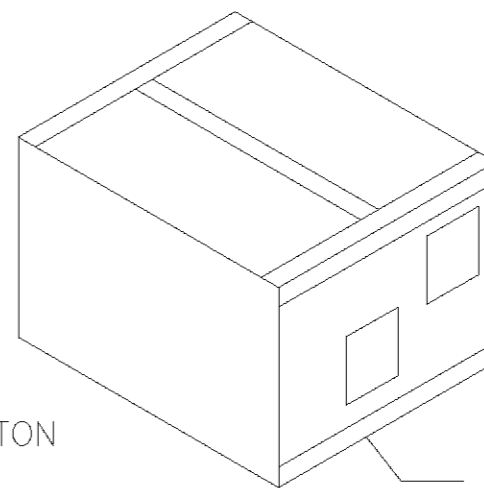


PAPER BOARD 1PCS/CARTON



LABEL

LICENCE TAG



TRANSPARENT SEAL TAPE

8.8KG/CARTON	350X305X294	600 PCS
GROSS WEIGHT	CARTON SIZE	QT'Y/CARTON

TOLERANCES UNLESS OTHERWISE SPECIFIED: 0 PLC ± 1 PLC ± 2 PLC ± 3 PLC ± ANGLES ±	DWN	S. HOU	tyco Electronics	TYCO HOLDINGS (BERMUDA) VII LTD. TAIWAN BRANCH		
	CHK	W.J. KE				
MATERIAL -	APVD	W.J. KE	0.8 PITCH MINI PCI SOCKET, 6.0 HEIGHT, 124 POSITION.			
	PRODUCT SPEC	03-SEP-2004				
FINISH -	APPLICATION SPEC	-	LOC	SIZE	DRAWING NO	REV
	WEIGHT	-	DW	A ₃	C-1734027	B
			SCALE	SHEET		
			--	5 OF 6		

SEE SHEET 1.	ECN	DWN	CHK	DATE
LTR	REVISION RECORD			

CUSTOMER DRAWING

8

7

6

5

4

3

2

1

D

C

B

A

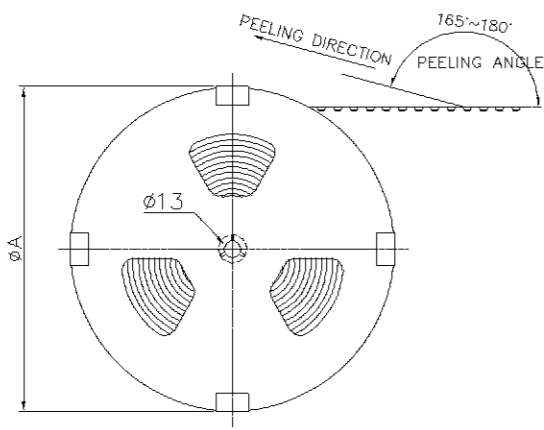
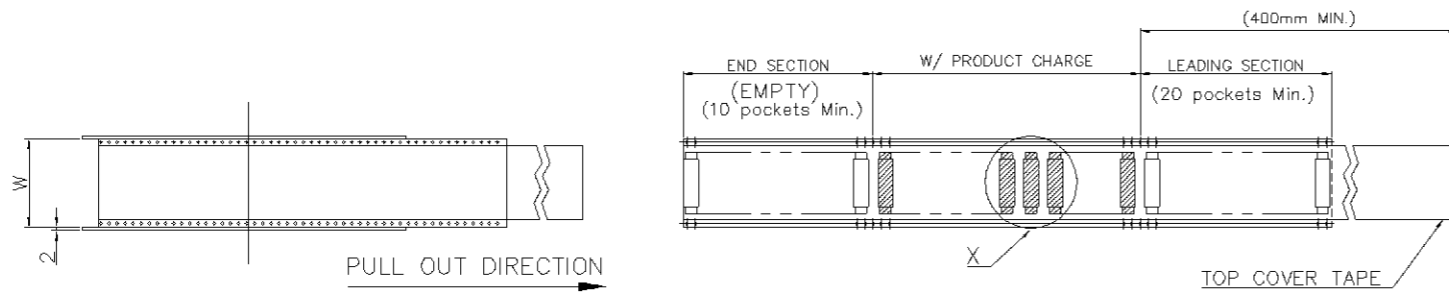
NUMBER
C-1470459

3RD ANGLE PROJECTION

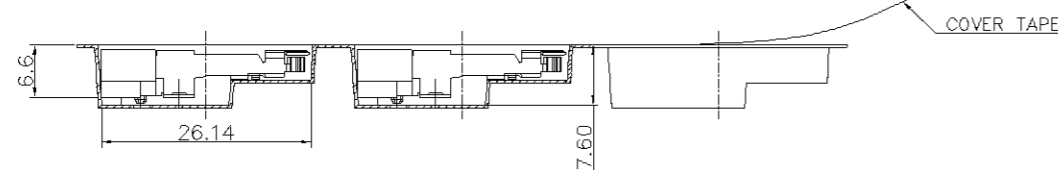
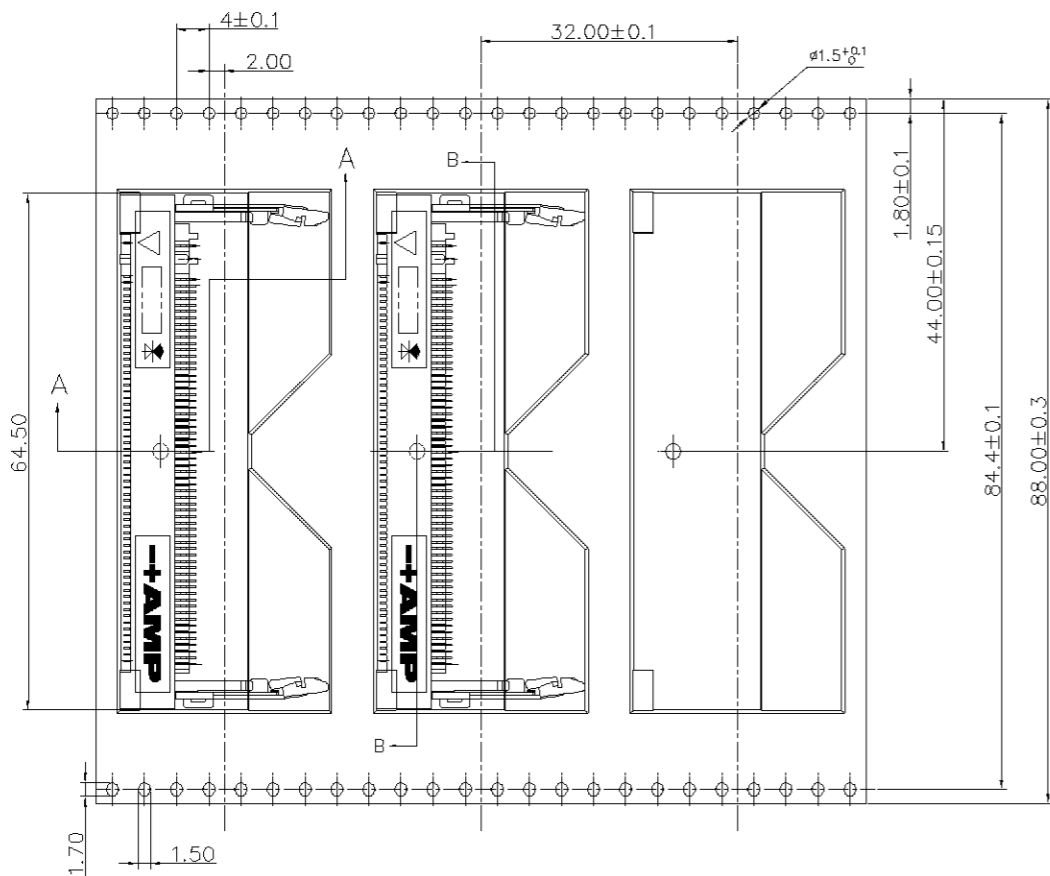
METRIC

THIS INFORMATION IS CONFIDENTIAL AND IS DISCLOSED TO YOU ON CONDITION THAT NO FURTHER DISCLOSURE IS MADE BY YOU TO OTHER THAN AMP PERSONNEL WITHOUT WRITTEN AUTHORIZATION FROM AMP (TAIWAN) LTD. DIMENSIONS IN MILLIMETERS. DO NOT SCALE PRINT.

PRINT DIST
DW

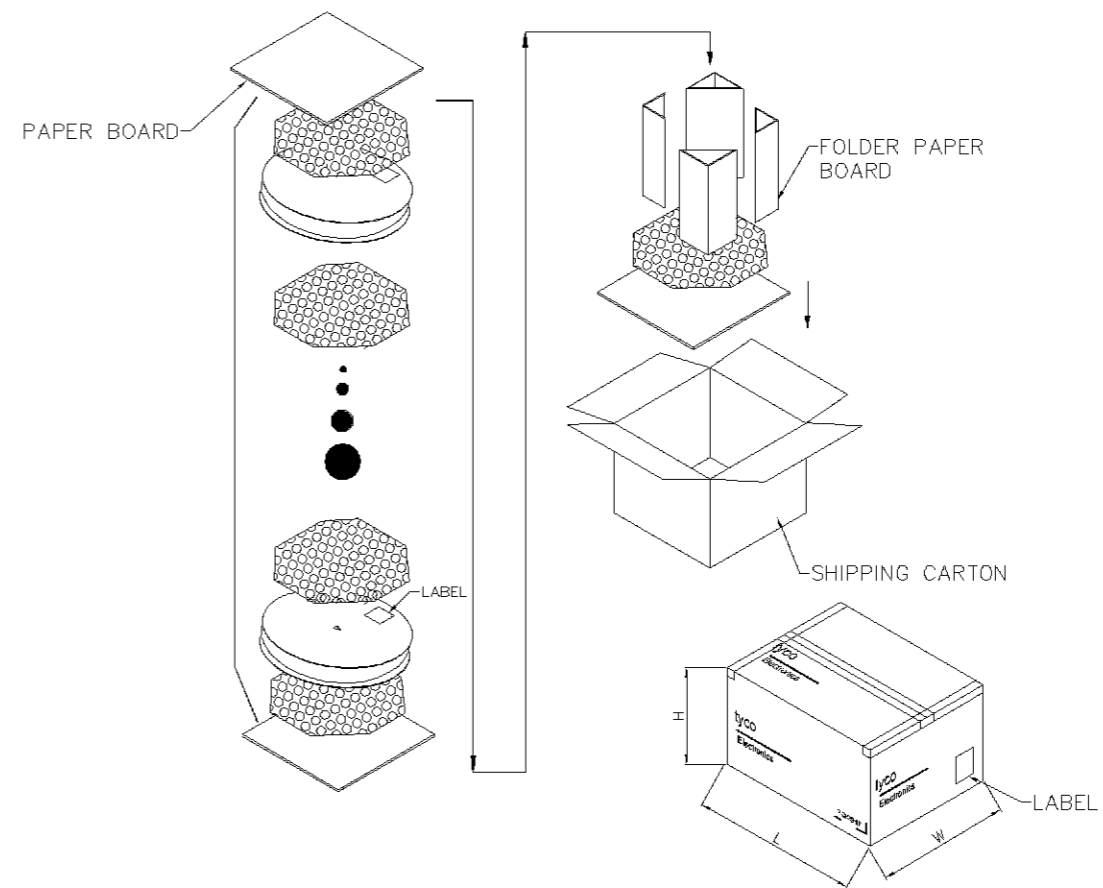


- NOTES:
- MATERIAL :
 - EMBOSSED CARRIER: PS
 - COVER TAPE: PS
 - SHIPPING CARTON: CORRUGATED FIBER
 - DIMENSION :
 - REEL: W=89.4, $\phi A=330$
 - SHIPPING CARTON: L=335, W=335, H=345
 - QUANTITY :
 - PRIMARY PACKING: 200PCS/REEL
 - SECONDARY PACKING: 3 REELS/CARTON(600PCS)
 - WEIGHT :
 - NET WEIGHT: 1.02Kg/REEL, 3.06Kg/CARTON.
 - GROSS WEIGHT: 1.51Kg/REEL, 5.98Kg/CARTON.
 - PEELING RESISTANCE: 0.1~0.7N(10.2gf~71.4gf).
 - PEELING SPEED: 300mm/minutes.



SECTION A-A

SECTION B-B



TOLERANCES UNLESS OTHERWISE SPECIFIED:		DWN	S. HOU	tyco TYCO HOLDINGS (BERMUDA)	
0 PLC ±		03-SEP-2004		Electronics VII LTD. TAIWAN BRANCH	
1 PLC ± 0.15		CHK	W.J. KE	NAME	
2 PLC ± 0.10		03-SEP-2004		0.8 PITCH MINI PCI SOCKET, 6.0 HEIGHT, 124 POSITION.	
3 PLC ± 0.05				LOC SIZE DRAWING NO REV	
ANGLES ±2'				DW A ₃ C-1734027 B	
MATERIAL	APVD	W.J. KE		SCALE SHEET	
-	PRODUCT SPEC	03-SEP-2004		-- 6 OF 6	
-	APPLICATION SPEC				
FINISH	WEIGHT				
-					

SEE SHEET 1.	ECN	DWN	CHK	DATE
LTR	REVISION RECORD			