



Chipsmall Limited consists of a professional team with an average of over 10 year of expertise in the distribution of electronic components. Based in Hongkong, we have already established firm and mutual-benefit business relationships with customers from,Europe,America and south Asia,supplying obsolete and hard-to-find components to meet their specific needs.

With the principle of “Quality Parts,Customers Priority,Honest Operation,and Considerate Service”,our business mainly focus on the distribution of electronic components. Line cards we deal with include Microchip,ALPS,ROHM,Xilinx,Pulse,ON,Everlight and Freescale. Main products comprise IC,Modules,Potentiometer,IC Socket,Relay,Connector.Our parts cover such applications as commercial,industrial, and automotives areas.

We are looking forward to setting up business relationship with you and hope to provide you with the best service and solution. Let us make a better world for our industry!



Contact us

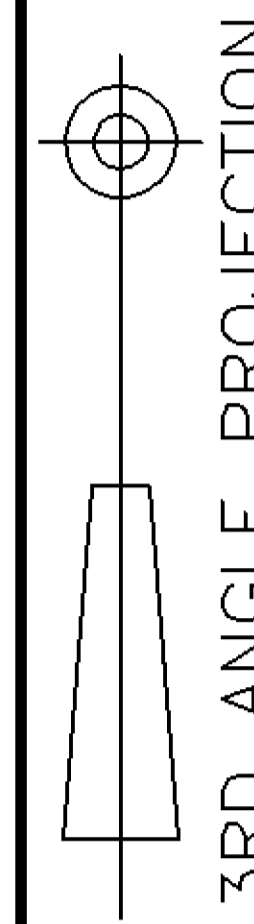
Tel: +86-755-8981 8866 Fax: +86-755-8427 6832

Email & Skype: info@chipsmall.com Web: www.chipsmall.com

Address: A1208, Overseas Decoration Building, #122 Zhenhua RD., Futian, Shenzhen, China



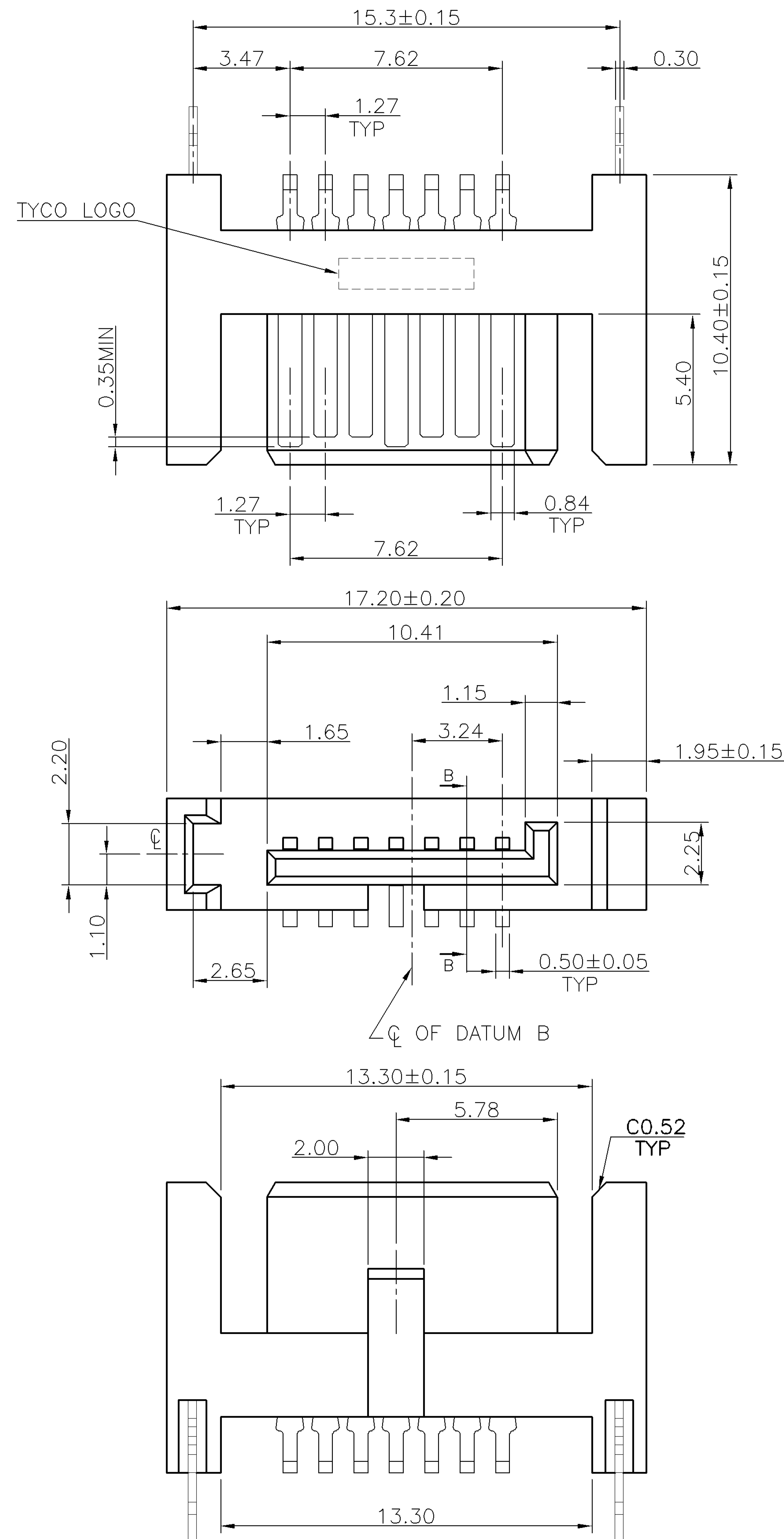
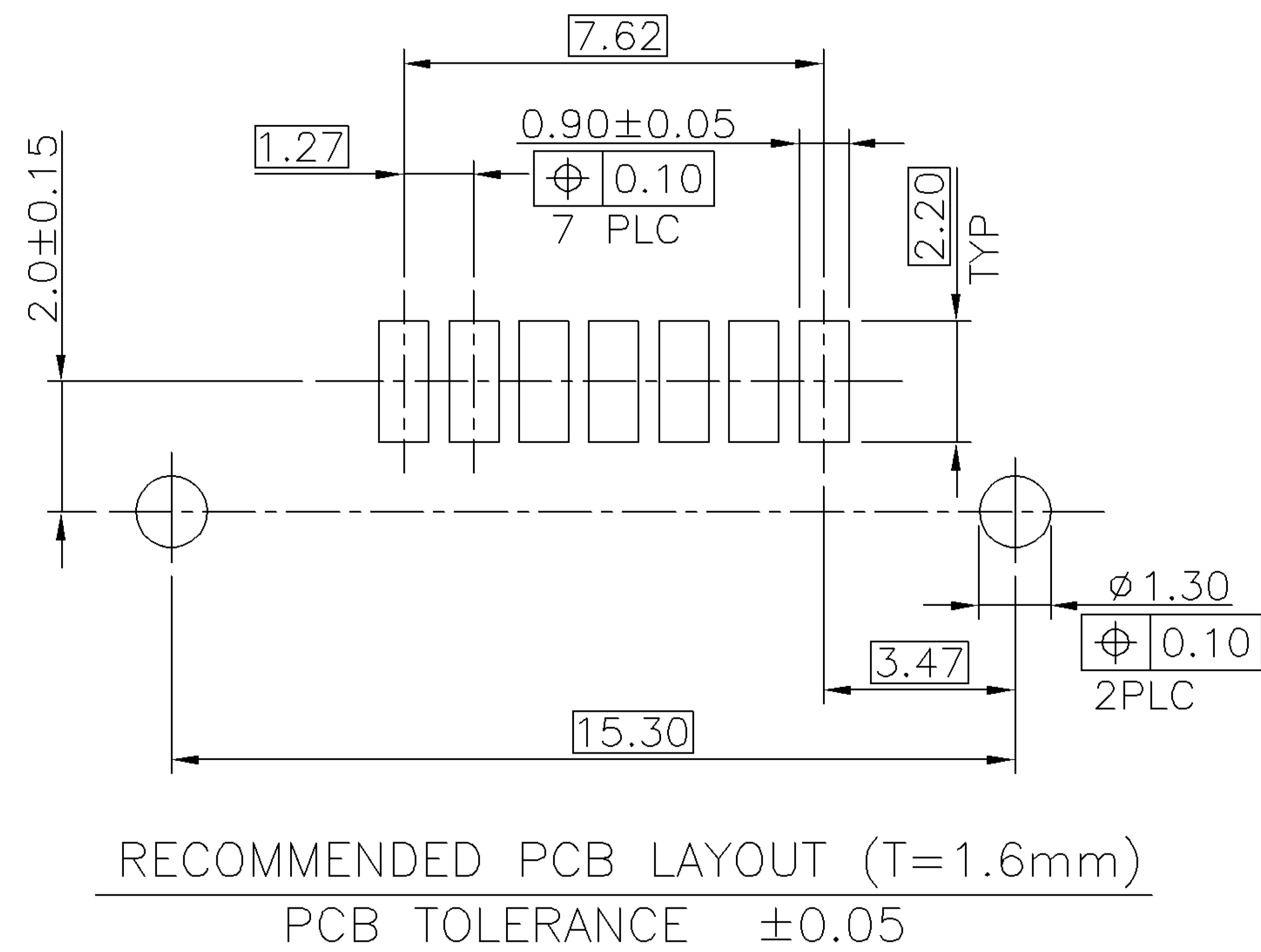
NUMBER
C-1734058



METRIC

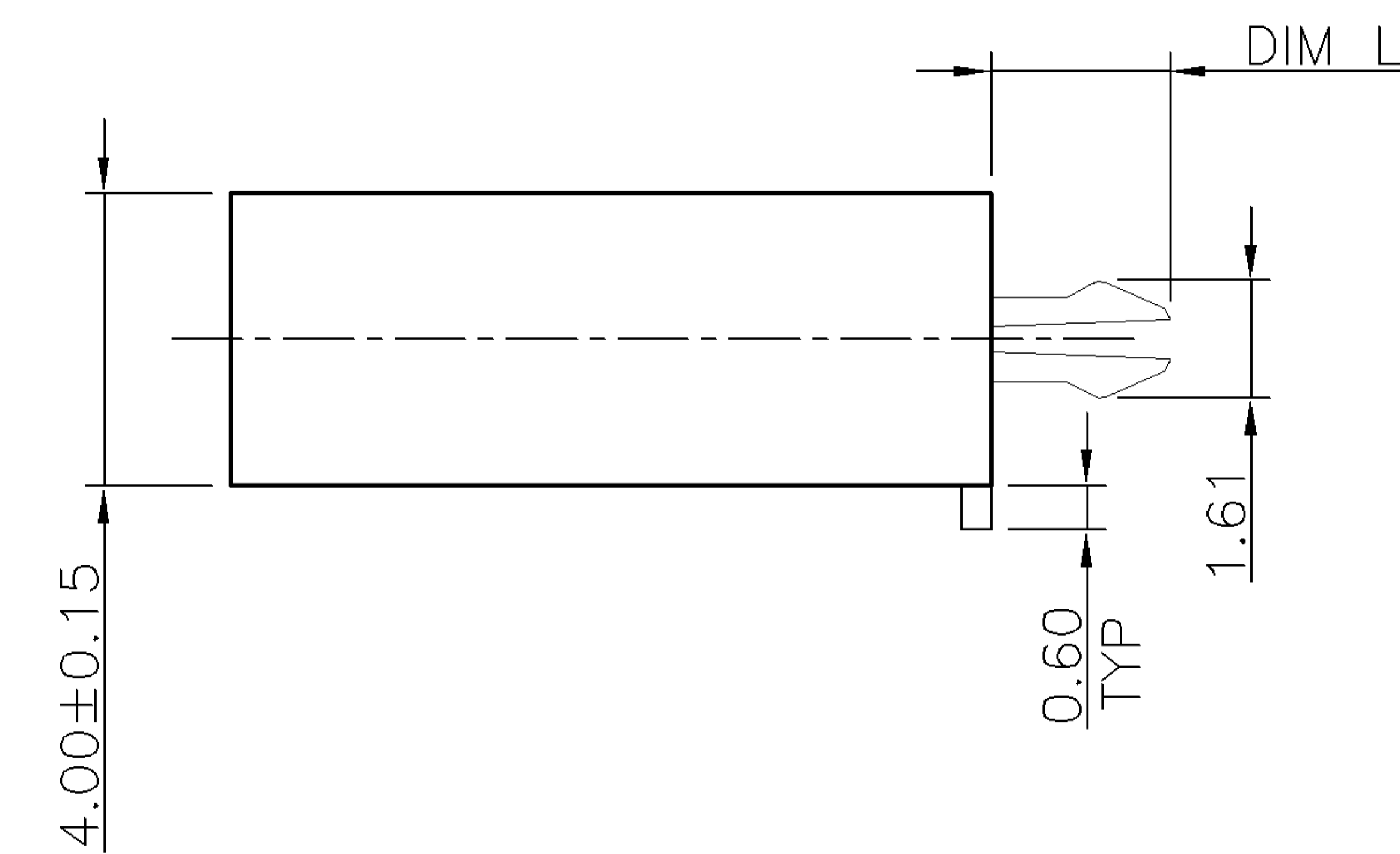
DIMENSIONS IN MILLIMETERS. DO NOT SCALE PRINT.

PRINT DIST
DW



NOTE:

- MATERIAL:
HOUSING: THERMOPLASTIC (LCP) WITH 30% GF, UL 94V-0, BLACK COLOR.
CONTACTS: BRASS.
BOARDLOCKS: BRASS.
- FINISH:
CONTACTS: (SEE TABLE) GOLD PLATED ON CONTACT AREA, 100μ" MIN. MATTE-TIN ON SOLDER TAIL, WITH ENTIRE CONTACT UNDERPLATED 50μ" MIN. NICKEL.
BOARDLOCKS: 100μ" MIN. MATTE-TIN OVER 50μ" MIN. NICKEL.
- REFLOW SOLDER CAPABLE TO 260°C AS PER **TE Connectivity** SPEC. 109-201, CONDITION B.
- NO DATE CODE ON THE PRODUCT.



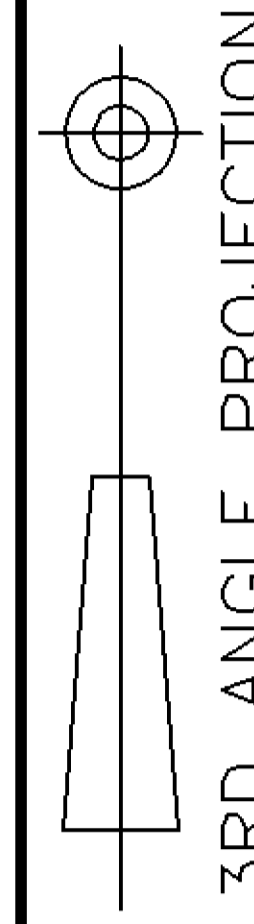
3.30	15μ"	1734058-4
2.45	30μ"	1734058-3
	15μ"	1734058-2
	GOLD FLASH	1734058-1
DIM L	GOLD PLATING	PART NUMBER

TOLERANCES UNLESS OTHERWISE SPECIFIED: 0 PLC ± - 1 PLC ± 0.3 2 PLC ± 0.25 3 PLC ± 0.2 ANGLES ± 3°		DWN A. WU 06-JUN-2006	TE Connectivity	
MATERIAL SEE NOTE		CHK S. HOU 06-JUN-2006	NAME SERIAL ATA, 7 POS., PLUG, VERTICAL, SMT TYPE.	
FINISH SEE NOTE		APVD W.J. KE 06-JUN-2006	LOC DW	SIZE A ₃
		PRODUCT SPEC 108-57261	DRAWING NO C-1734058	REV A1
		APPLICATION SPEC -	SCALE --	SHEET 1 OF 2
		WEIGHT 0.7 g		

A1	REVISION RECORD	REVISED PER ECO-11-005301	RK HMR	5APR11
LTR		eco	DWN CHK	DATE

CUSTOMER DRAWING

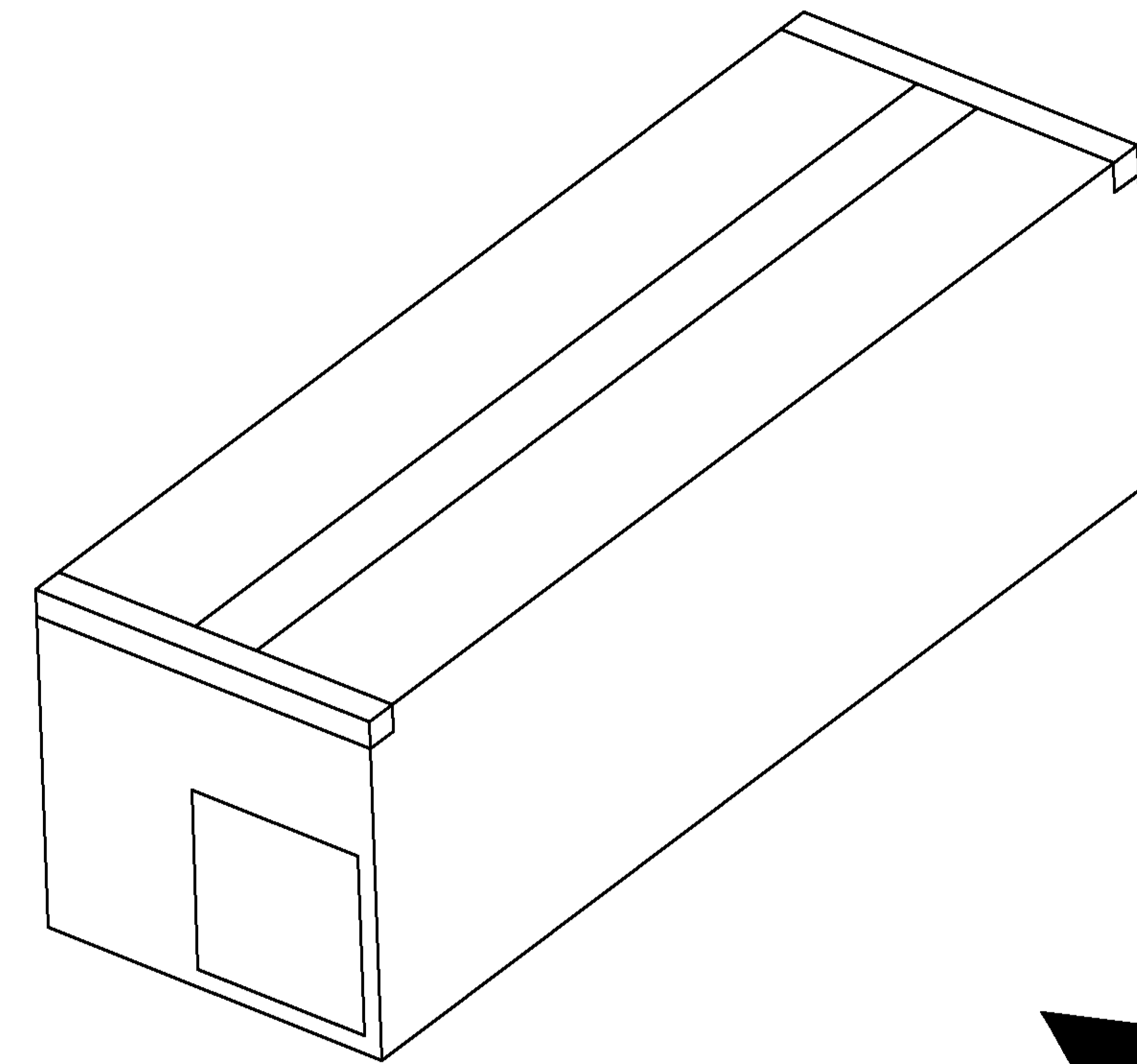
NUMBER
C-1734058



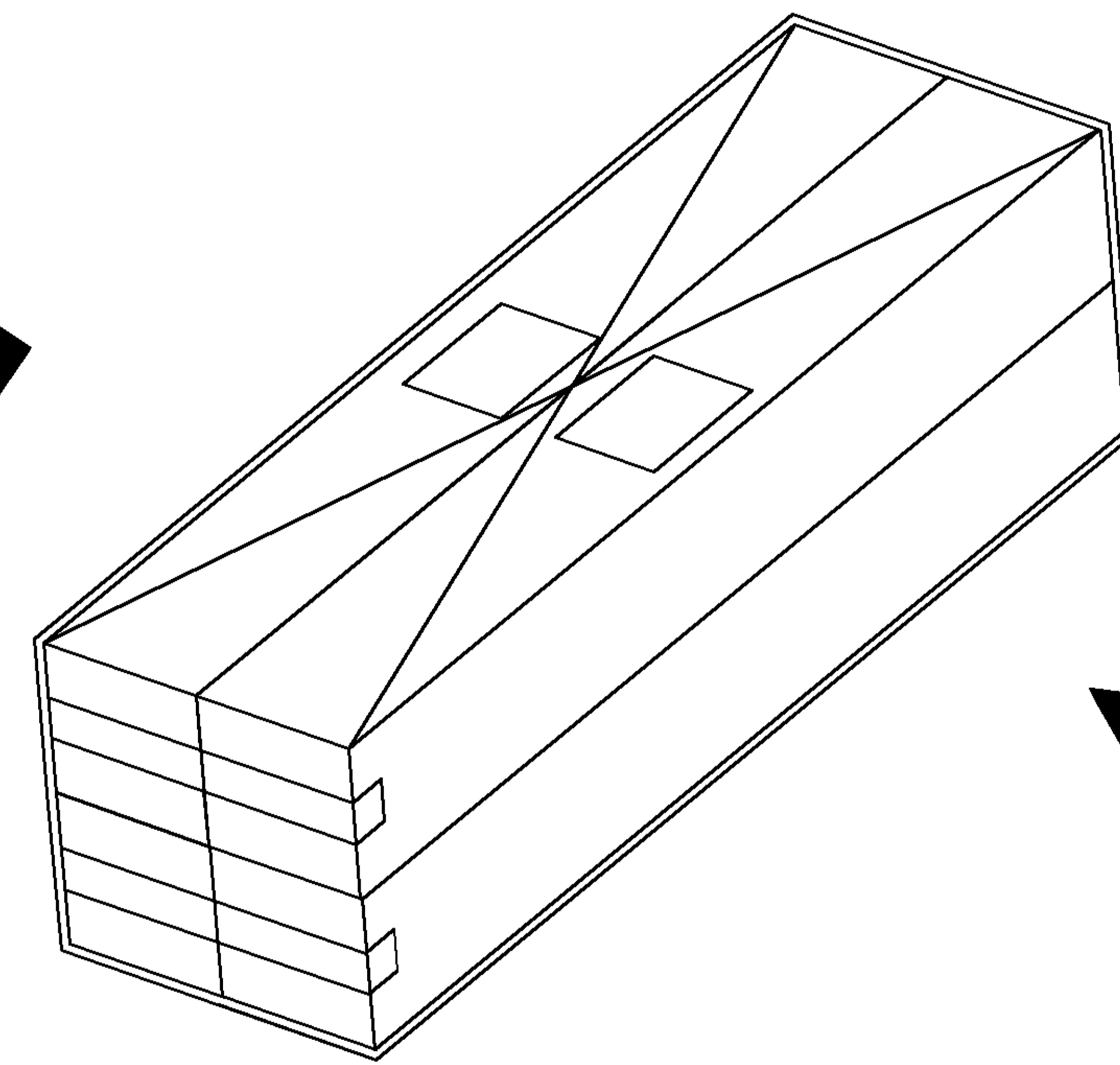
METRIC

DIMENSIONS IN MILLIMETERS. DO NOT SCALE PRINT.

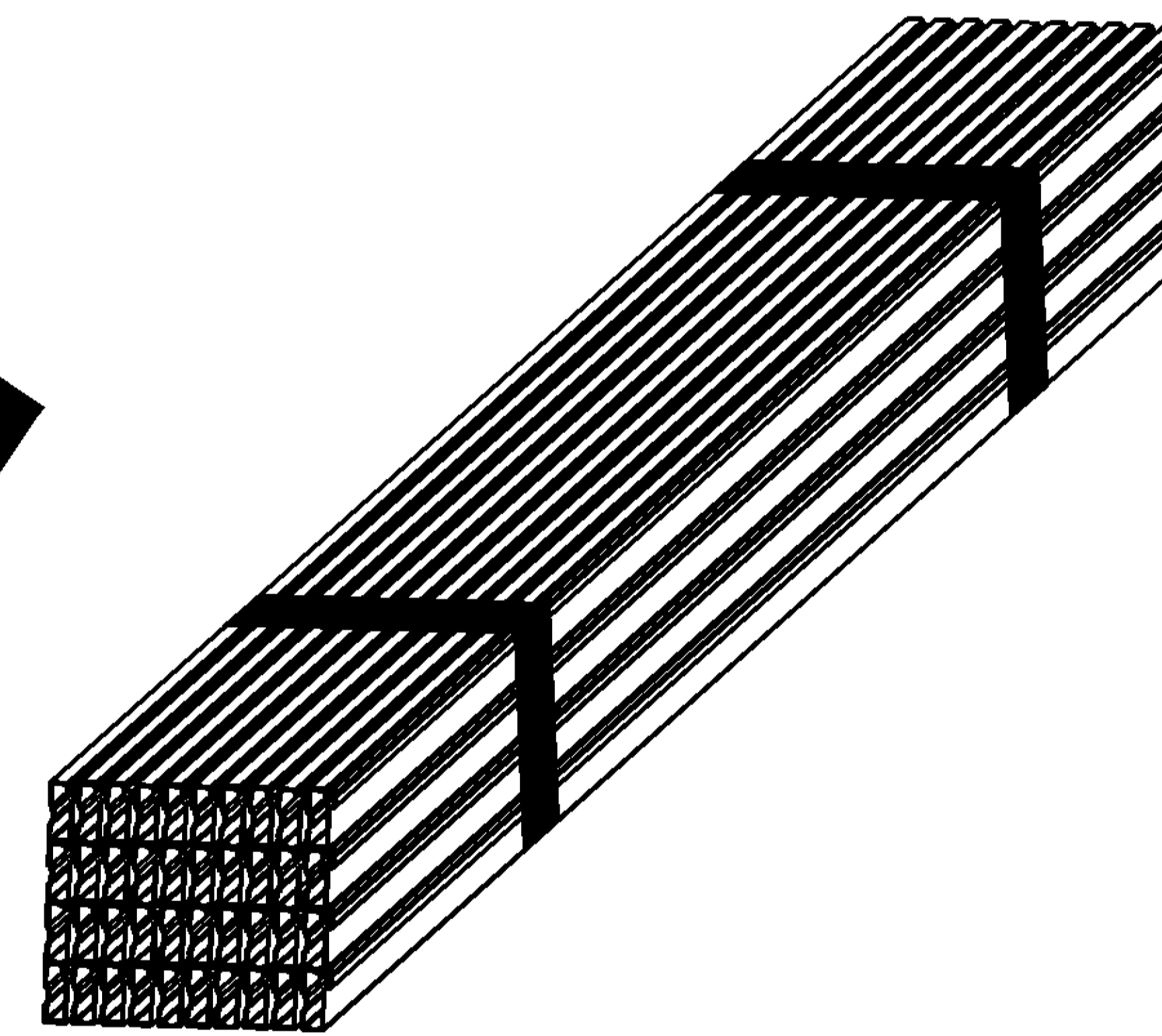
PRINT DIST
DW



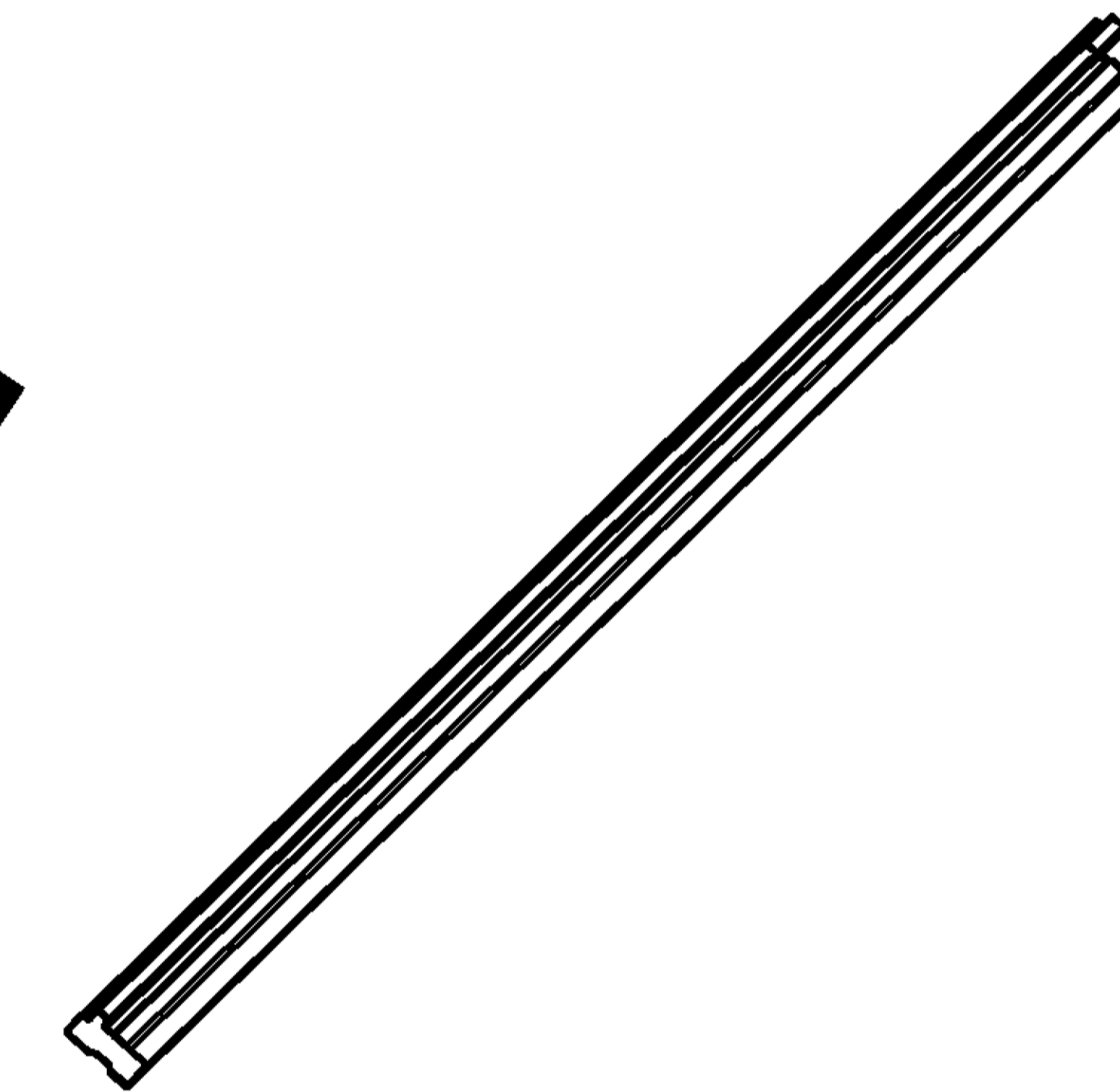
SHIPPING CARTON



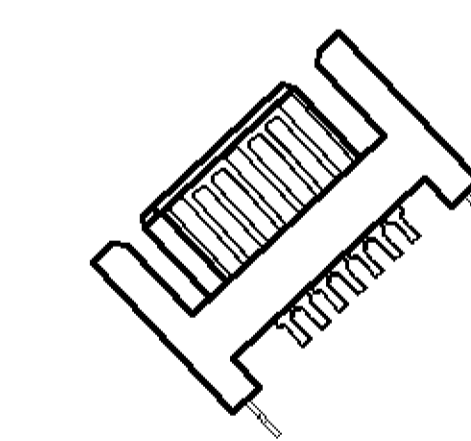
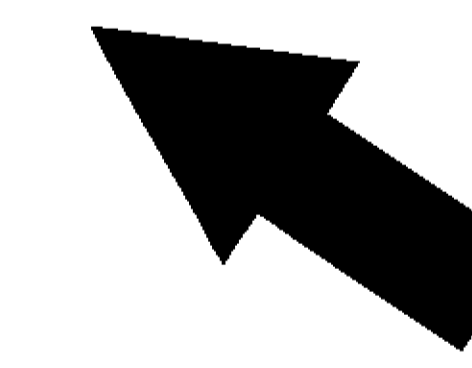
INNER CARTON



SHEAF



TUBE



PRODUCT

NOTE:

1. DIMENSION

TRAY: 460 X 7.5 X 15.8

INNER CARTON: 485 X 86 X 72

SHIPPING CARTON: 500 X 187 X 169

2. QUANTITY

25 PCS/TUBE

40 TUBES/SHEAF

1 SHEAF/INNER CARTON

4 INNER CARTON/SHIPPING CARTON

4000 PCS/SHIPPING CARTON

3. WEIGHT:

N.W: 5 KG

G.W: 6 KG

8 7 6 5 4 3 2 1

CUSTOMER DRAWING

LTR	REVISION RECORD	SEE SHEET 1	eco	DWN	CHK	DATE
-----	-----------------	-------------	-----	-----	-----	------

TOLERANCES UNLESS OTHERWISE SPECIFIED:		DWN		A. WU		TE Connectivity	
0 PLC ±		06-JUN-2006		S. HOU		NAME	
1 PLC ±		06-JUN-2006		W.J. KE		SERIAL ATA, 7 POS., PLUG,	
2 PLC ±		06-JUN-2006		APVD		VERTICAL, SMT TYPE.	
3 PLC ±		06-JUN-2006		PRODUCT SPEC		LOC	
ANGLES ±		-		APPLICATION SPEC		SIZE	
-		-		WEIGHT		DRAWING NO	
-		-		-		REV	
-		-		-		SCALE	
-		-		-		SHEET	
-		-		-		2 OF 2	

D
C
B
A