



Chipsmall Limited consists of a professional team with an average of over 10 year of expertise in the distribution of electronic components. Based in Hongkong, we have already established firm and mutual-benefit business relationships with customers from,Europe,America and south Asia,supplying obsolete and hard-to-find components to meet their specific needs.

With the principle of “Quality Parts,Customers Priority,Honest Operation,and Considerate Service”,our business mainly focus on the distribution of electronic components. Line cards we deal with include Microchip,ALPS,ROHM,Xilinx,Pulse,ON,Everlight and Freescale. Main products comprise IC,Modules,Potentiometer,IC Socket,Relay,Connector.Our parts cover such applications as commercial,industrial, and automotives areas.

We are looking forward to setting up business relationship with you and hope to provide you with the best service and solution. Let us make a better world for our industry!



Contact us

Tel: +86-755-8981 8866 Fax: +86-755-8427 6832

Email & Skype: info@chipsmall.com Web: www.chipsmall.com

Address: A1208, Overseas Decoration Building, #122 Zhenhua RD., Futian, Shenzhen, China



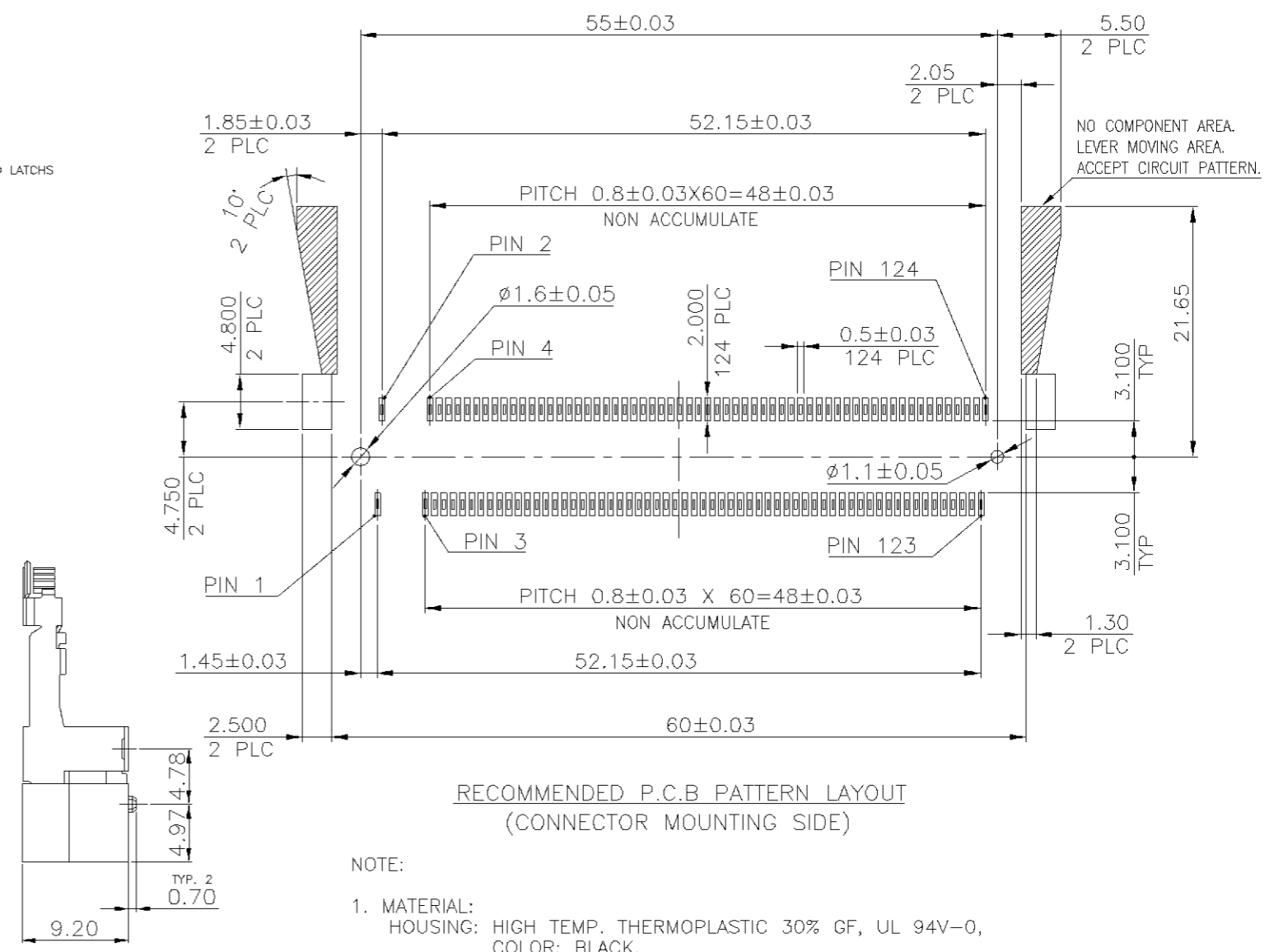
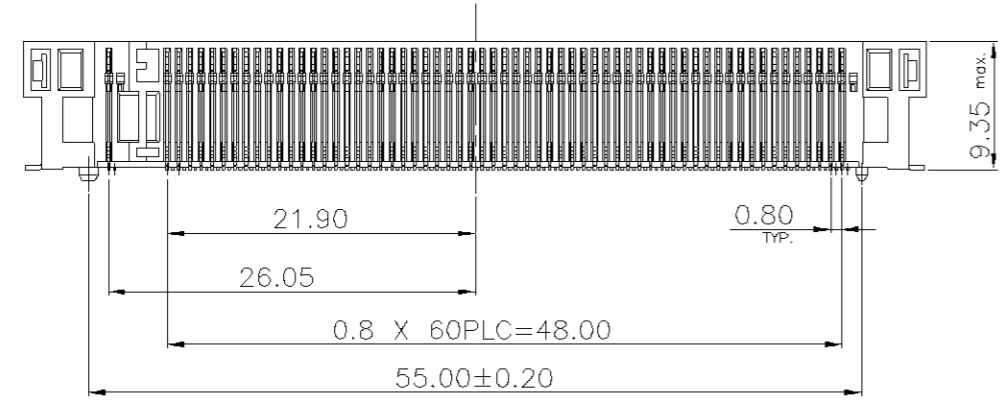
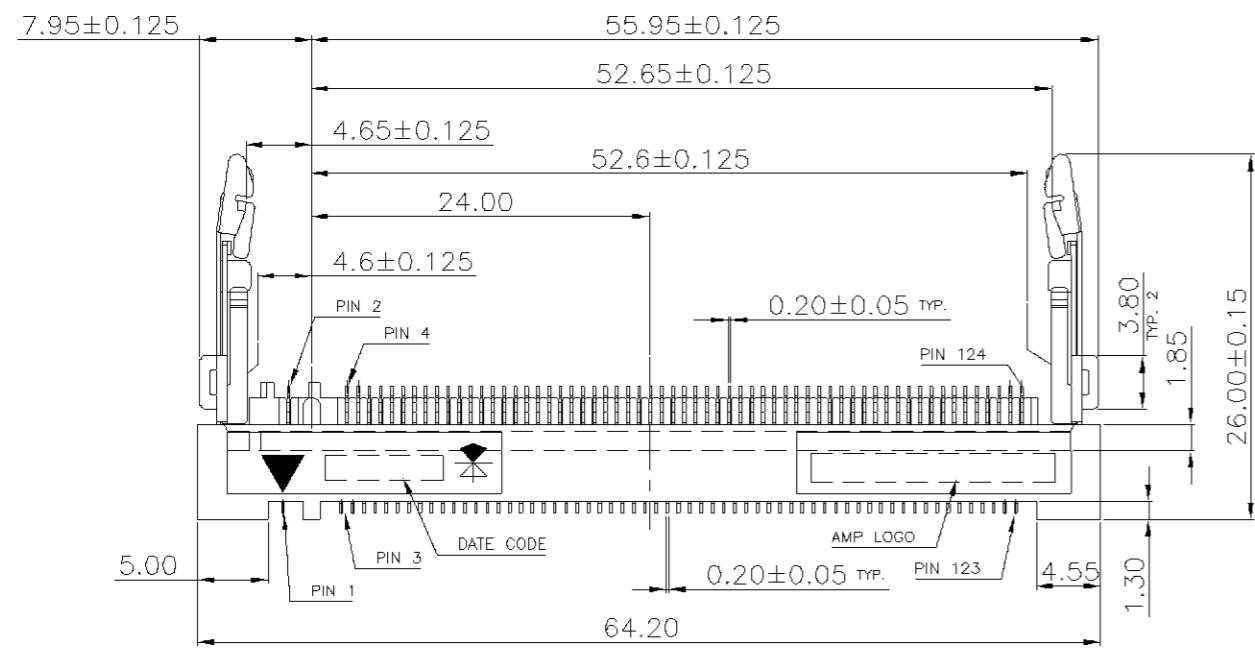
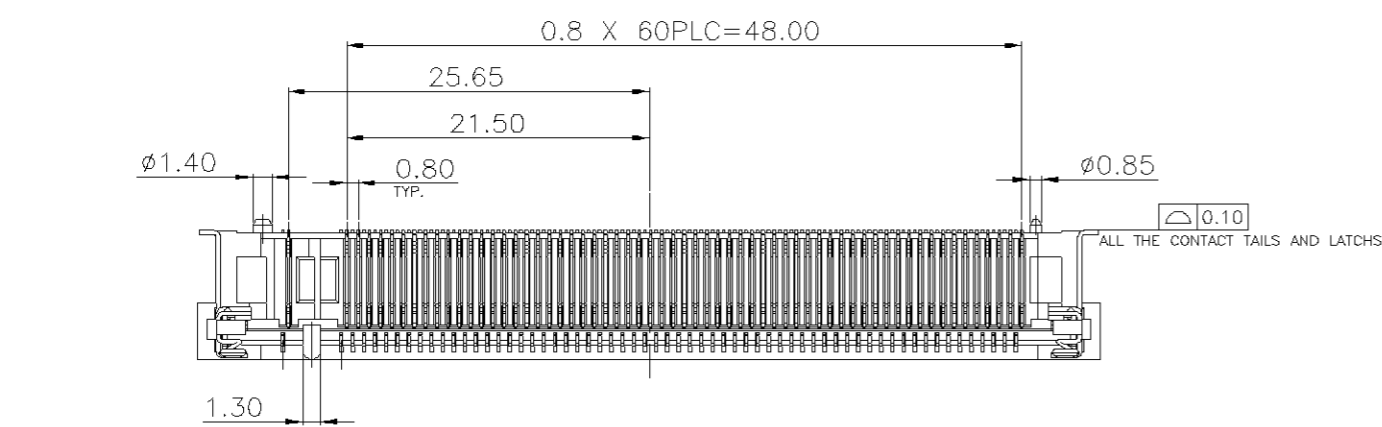
NUMBER
C-1734069

3RD ANGLE PROJECTION

METRIC

THIS INFORMATION IS CONFIDENTIAL AND IS DISCLOSED TO YOU ON CONDITION THAT NO FURTHER DISCLOSURE IS MADE BY YOU TO OTHER THAN AMP PERSONNEL WITHOUT WRITTEN AUTHORIZATION FROM AMP (TAIWAN) LTD. DIMENSIONS IN MILLIMETERS. DO NOT SCALE PRINT.

PRINT
DW



RECOMMENDED P.C.B. PATTERN LAYOUT
(CONNECTOR MOUNTING SIDE)

- NOTE:
- MATERIAL:
HOUSING: HIGH TEMP. THERMOPLASTIC 30% GF, UL 94V-0, COLOR: BLACK.
CONTACTS: PHOSPHOR BRONZE.
LATCHES: STAINLESS STEEL.
 - FINISH:
CONTACTS: 5μ" MIN. GOLD PLATED IN CONTACT AREA, 100μ" MIN. TIN(MATTE) OVER 50μ" MIN. NICKEL ON SOLDER TAIL, 50μ" MIN. NICKEL UNDERPLATED ALL OVER.
LATCHES: 100μ" MIN. TIN (MATTE) OVER 50μ" MIN. NICKEL.
 - PRODUCT NET WEIGHT: 6.4g/PC.

	TAPE REEL	1734069-3
NO PRODUCTION	TRAY	1734069-2
	HARD TRAY	1734069-1
	PACKAGE TYPE	PART NUMBER

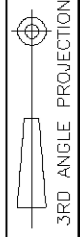
TOLERANCES UNLESS OTHERWISE SPECIFIED: 0 PLC ±0.25 1 PLC ±0.15 2 PLC ±0.1 3 PLC ±0.05 ANGLES ±2'	DWN J. LEE 11-JUN-2004	tyco TYCO HOLDINGS (BERMUDA) Electronics VII LTD. TAIWAN BRANCH NAME
MATERIAL SEE NOTE	CHK S. HOU 11-JUN-2004	
FINISH SEE NOTE	APVD W.J. KE 11-JUN-2004	0.8 PITCH MINI PCI SOCKET, 9.2 HEIGHT, 124 POSITION
	PRODUCT SPEC 108-57380	LOC DW
	APPLICATION SPEC -	SIZE A ₃
	WEIGHT	DRAWING NO C-1734069
		REV 0
		SCALE --
		SHEET 1 OF 6

O	FIRST RELEASED	FZ00-0113-04	JL SH	11JUN 2004
LTR	REVISION RECORD	ECN	DWN CHK	DATE

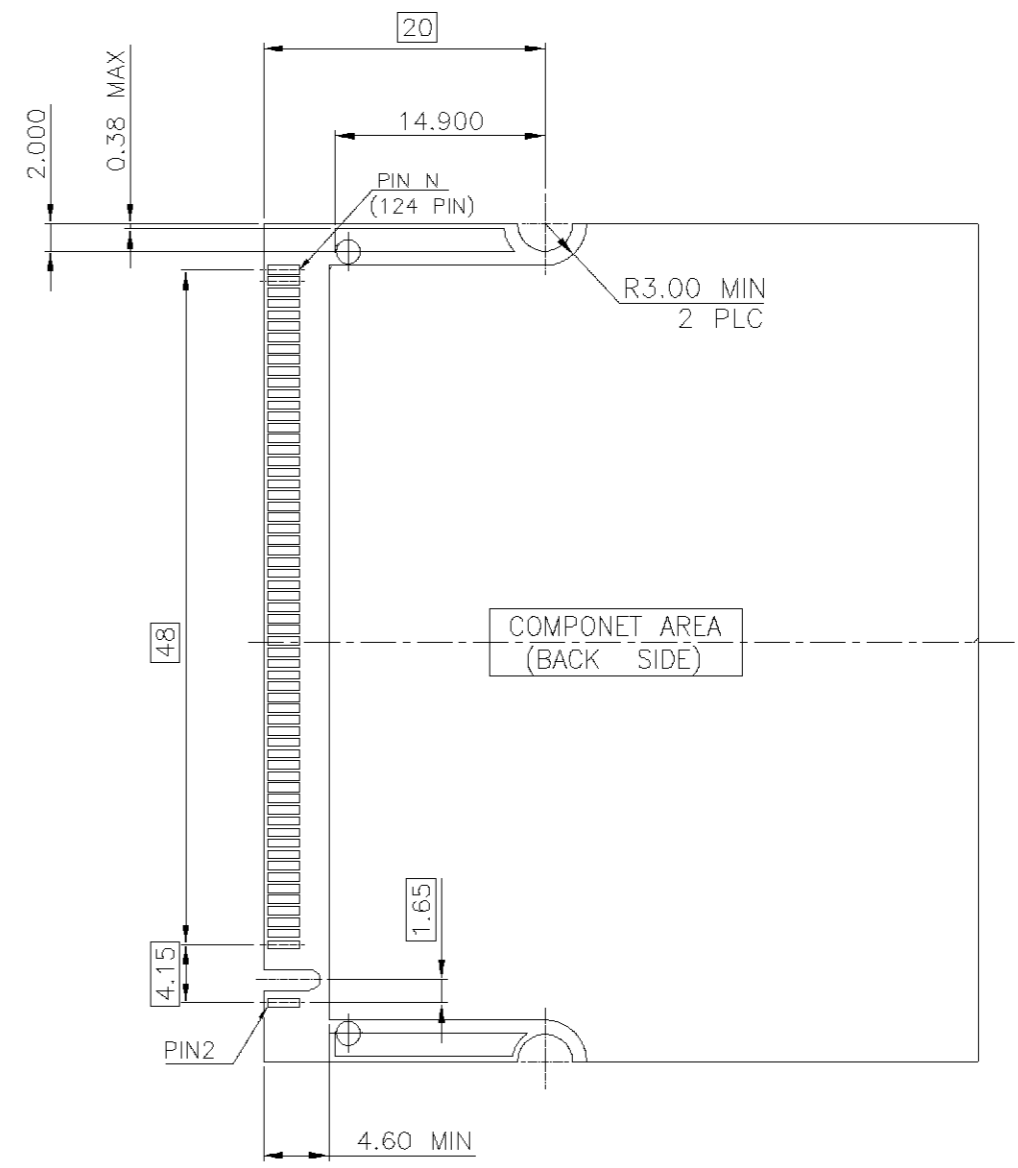
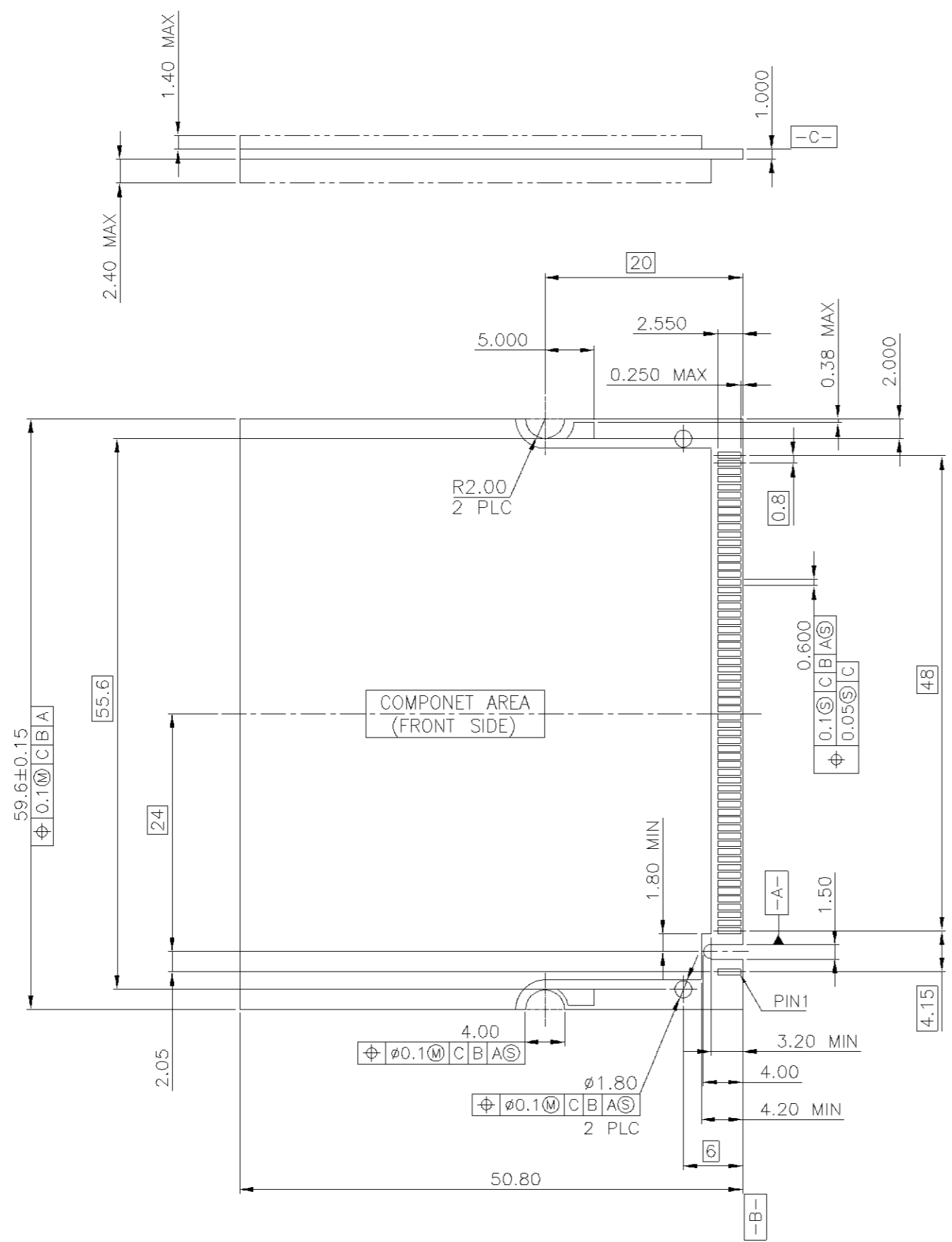
THIS INFORMATION IS CONFIDENTIAL AND IS DISCLOSED TO YOU ON CONDITION THAT NO FURTHER DISCLOSURE IS MADE BY YOU TO OTHER THAN AMP PERSONNEL WITHOUT WRITTEN AUTHORIZATION FROM AMP (TAIWAN) LTD. DIMENSIONS IN MILLIMETERS. DO NOT SCALE PRINT.

PRINT DIST
DW

METRIC



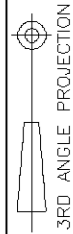
NUMBER
C-1734069



TOLERANCES UNLESS OTHERWISE SPECIFIED: 0 PLC ±0.25 1 PLC ±0.15 2 PLC ±0.1 3 PLC ±0.05 ANGLES ±2'	DWN	J. LEE 11-JUN-2004	TYCO HOLDINGS (BERMUDA) VII LTD. TAIWAN BRANCH 								
	CHK	S. HOU 11-JUN-2004									
MATERIAL	APVD	W.J. KE 11-JUN-2004	NAME 0.8 PITCH MINI PCI SOCKET, 9.2 HEIGHT, 124 POSITION								
FINISH	PRODUCT SPEC										
	APPLICATION SPEC		<table border="1"> <tr> <td>LOC</td> <td>SIZE</td> <td>DRAWING NO</td> <td>REV</td> </tr> <tr> <td>DW</td> <td>A₃</td> <td>C-1734069</td> <td>0</td> </tr> </table>	LOC	SIZE	DRAWING NO	REV	DW	A ₃	C-1734069	0
LOC	SIZE	DRAWING NO	REV								
DW	A ₃	C-1734069	0								
	WEIGHT		<table border="1"> <tr> <td>SCALE</td> <td>SHEET</td> </tr> <tr> <td>--</td> <td>2 OF 6</td> </tr> </table>	SCALE	SHEET	--	2 OF 6				
SCALE	SHEET										
--	2 OF 6										

SEE SHEET 1.	ECN	DWN	CHK	DATE
LTR	REVISION RECORD			

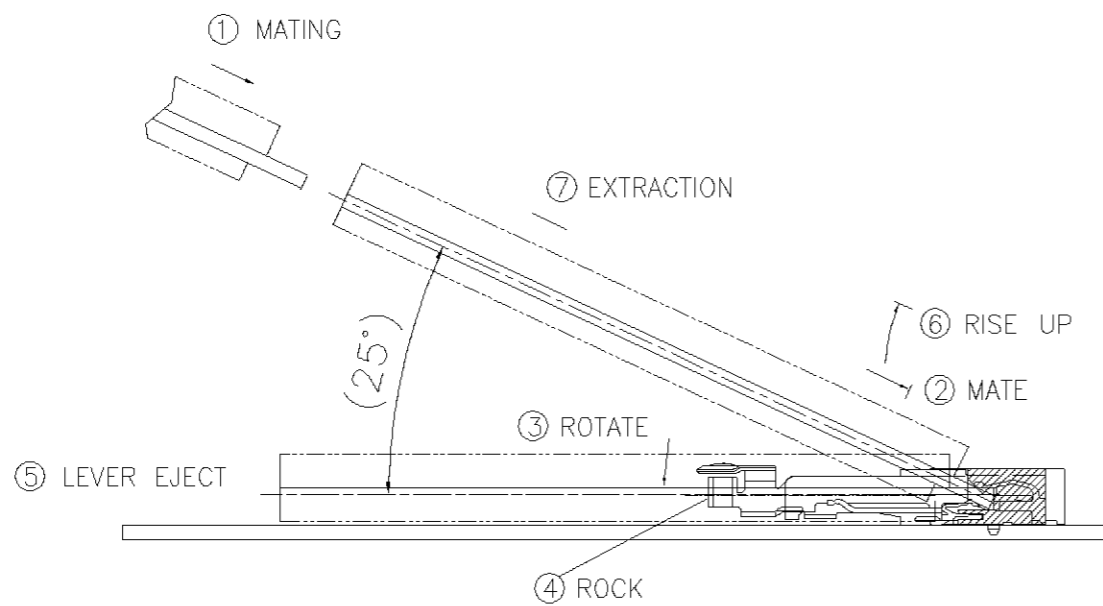
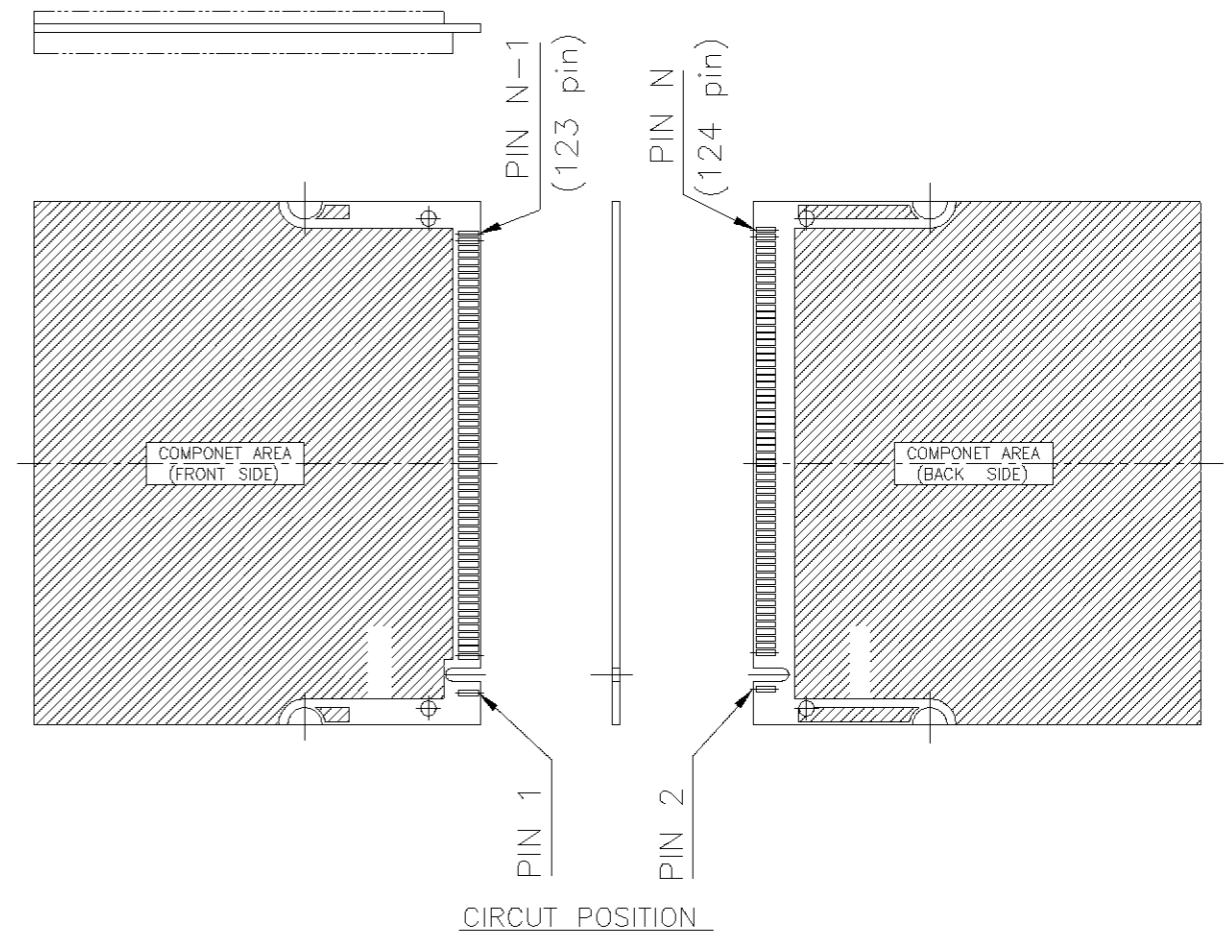
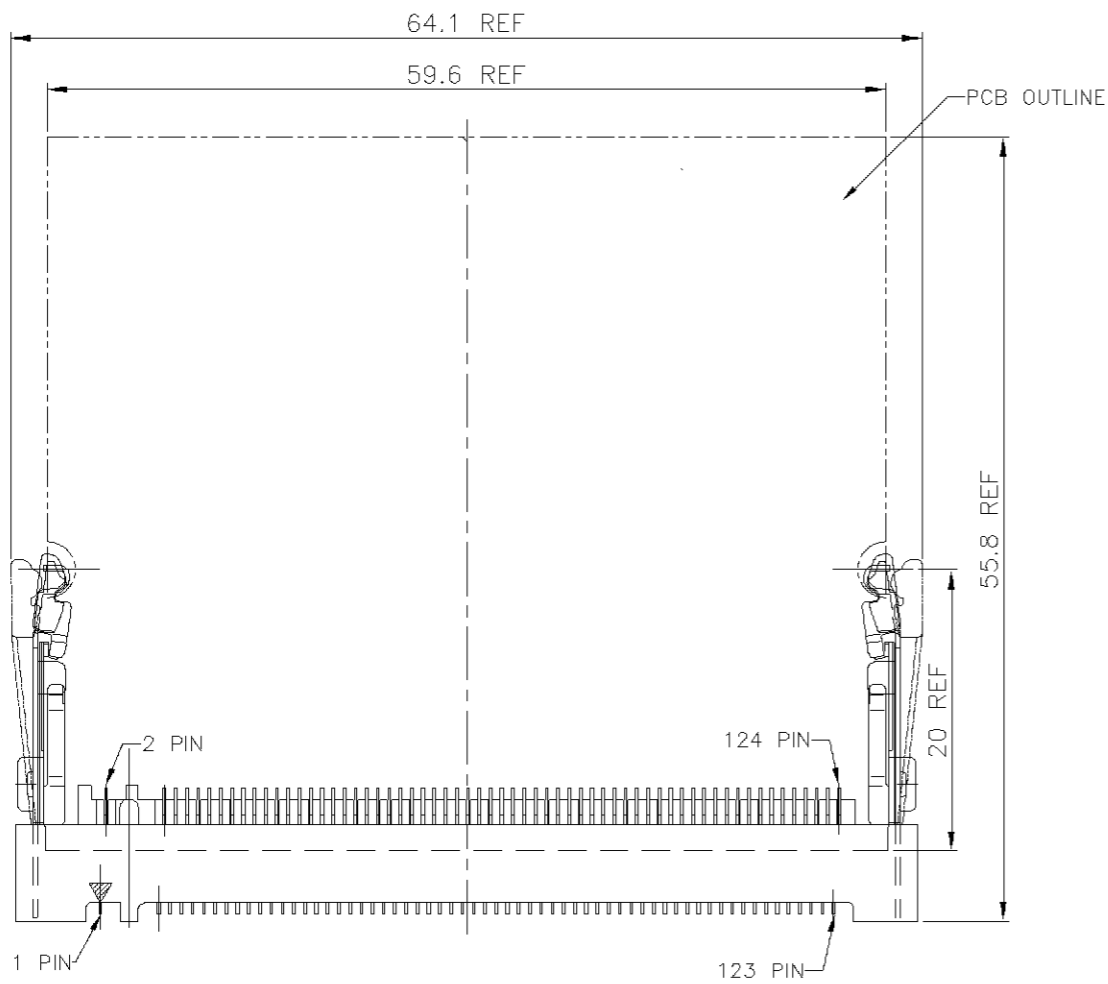
NUMBER
C-1734069



METRIC

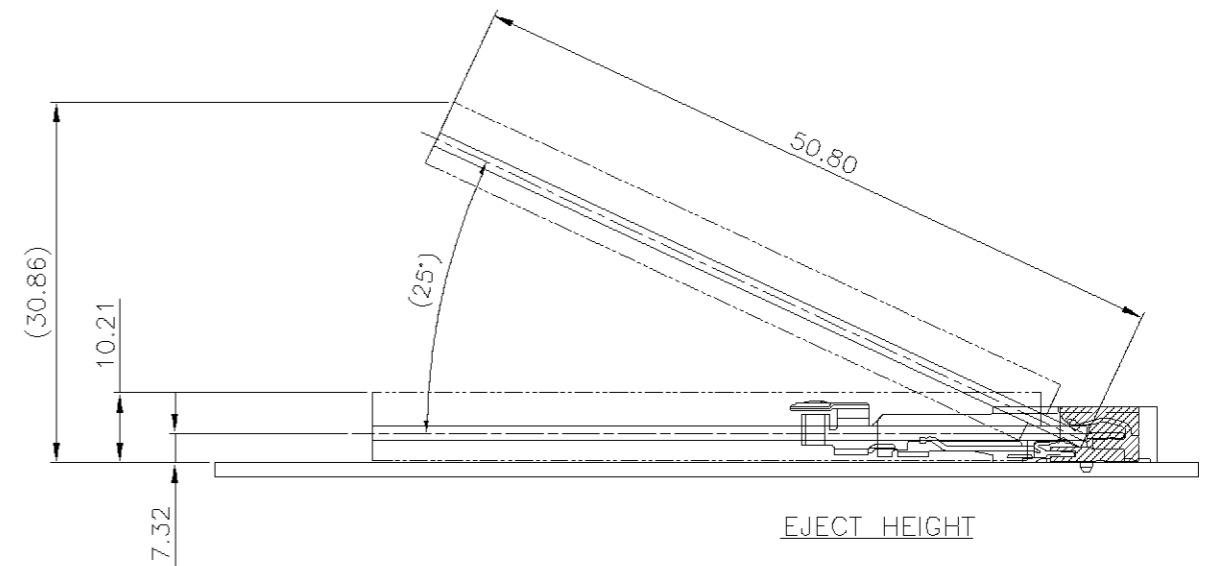
THIS INFORMATION IS CONFIDENTIAL AND IS DISCLOSED TO YOU ON CONDITION THAT NO FURTHER DISCLOSURE IS MADE BY YOU TO OTHER THAN AMP PERSONNEL WITHOUT WRITTEN AUTHORIZATION FROM AMP (TAIWAN) LTD. DIMENSIONS IN MILLIMETERS. DO NOT SCALE PRINT.

PRINT DIST
DW



HOW TO MATE AND UNMATE

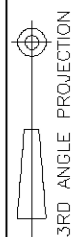
MATE: ① ~ ④
UNMATE: ⑤ ~ ⑦



TOLERANCES UNLESS OTHERWISE SPECIFIED:		DWN	J. LEE	tyco TYCO HOLDINGS (BERMUDA) VII LTD. TAIWAN BRANCH
0 PLC	±0.25	CHK	S. HOU	
1 PLC	±0.15	11-JUN-2004		NAME
2 PLC	±0.1	11-JUN-2004		
3 PLC	±0.05	11-JUN-2004		0.8 PITCH MINI PCI SOCKET, 9.2 HEIGHT, 124 POSITION
ANGLES	±2'	11-JUN-2004		
MATERIAL	-	APVD	W.J. KE	LOC SIZE DRAWING NO REV DW A ₃ C-1734069 0
FINISH	-	PRODUCT SPEC	11-JUN-2004	
		APPLICATION SPEC		SCALE SHEET -- 3 OF 6
		WEIGHT		

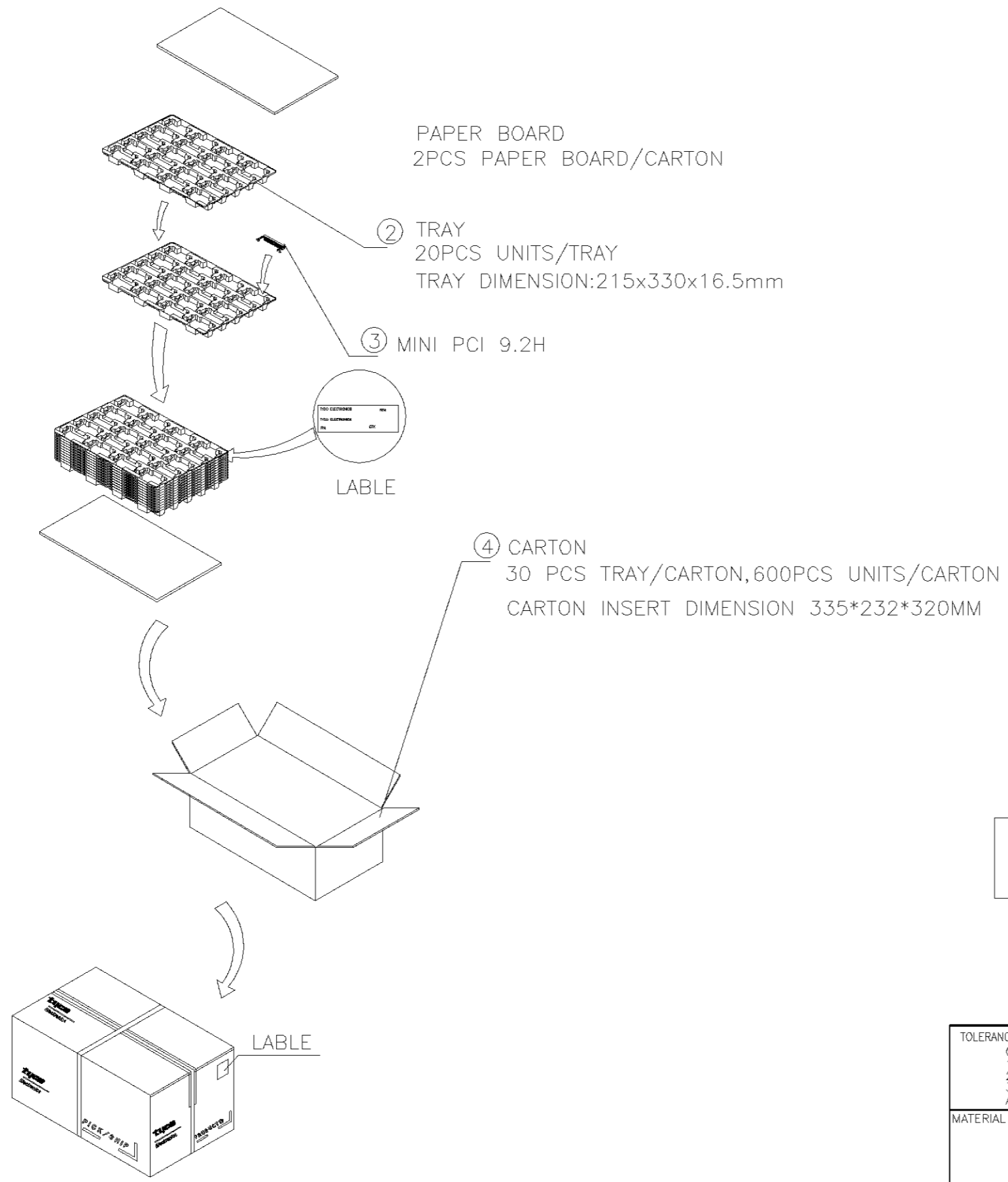
SEE SHEET 1.			
LTR	REVISION RECORD	ECN	DWN CHK DATE

NUMBER
C-1734069



METRIC

THIS INFORMATION IS CONFIDENTIAL AND IS DISCLOSED TO YOU ON CONDITION THAT NO FURTHER DISCLOSURE IS MADE BY YOU TO OTHER THAN AMP PERSONNEL WITHOUT WRITTEN AUTHORIZATION FROM AMP (TAIWAN) LTD. DIMENSIONS IN MILLIMETERS. DO NOT SCALE PRINT.



NOTES:

- 1.TRYA MATERIAL:PS, CLEAR CLEAR
- 2.PRIMARY PACKING:600PCS/CARTON
- 3.SECONDARY PACKING:20PCS/TRAY
- 4.NET WEIGHT: 6.4g/PC UNIT.
128g/TRAY,3.84kg/CARTON
- 5.GROSS WEIGHT:5.5Kg/CARTON.

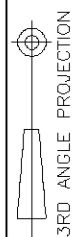
FOR 1734069-2

PRINT DIST
DW

SEE SHEET 1.	ECN	DWN	CHK	DATE
LTR	REVISION RECORD			

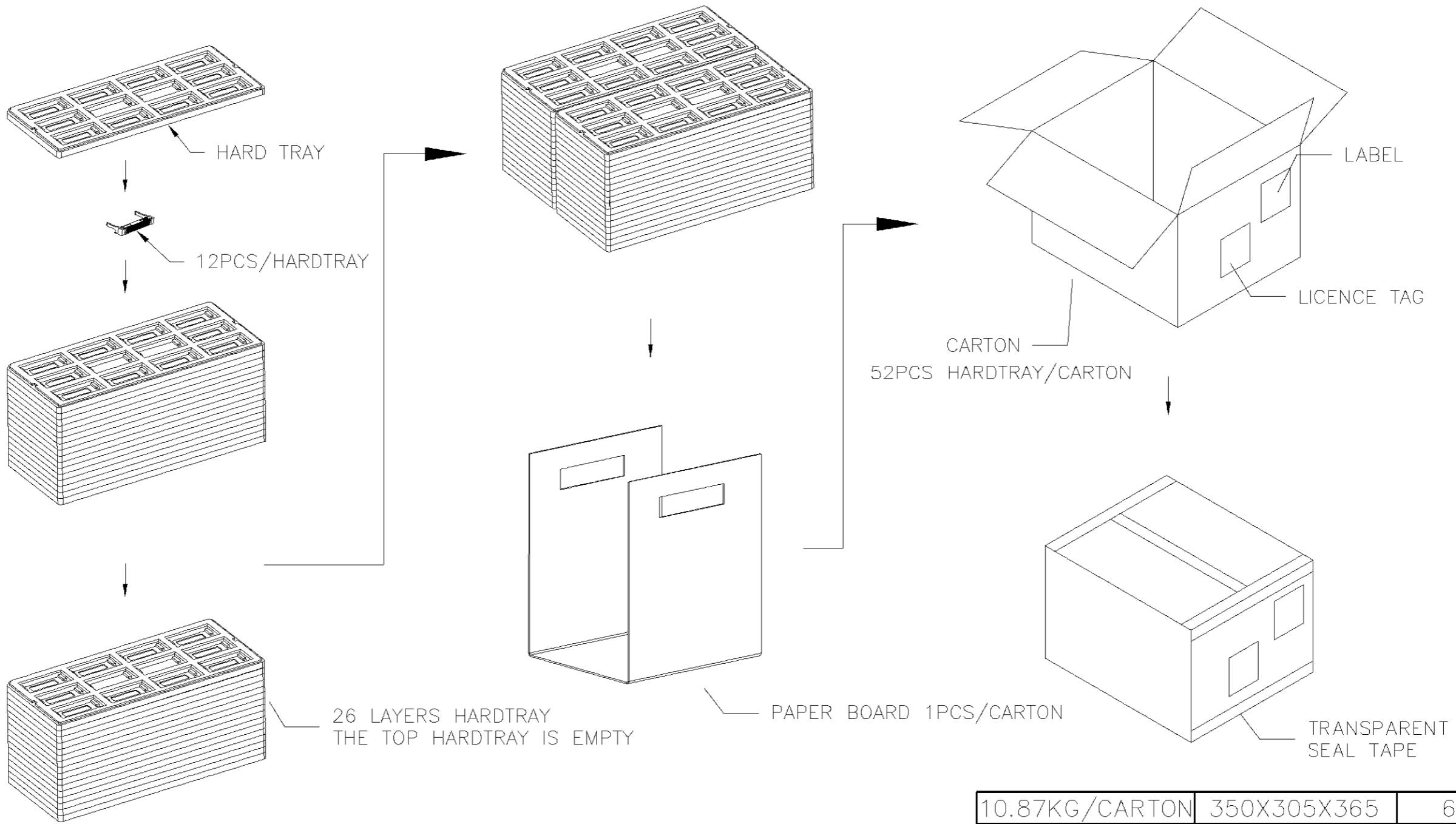
TOLERANCES UNLESS OTHERWISE SPECIFIED: 0 PLC ± 1 PLC ± 2 PLC ± 3 PLC ± ANGLES ±	DWN	J. LEE 11-JUN-2004	TYCO HOLDINGS (BERMUDA) VII LTD. TAIWAN BRANCH			
	CHK	S. HOU 11-JUN-2004				
MATERIAL	APVD	W.J. KE 11-JUN-2004	NAME 0.8 PITCH MINI PCI SOCKET, 9.2 HEIGHT, 124 POSITION			
-	PRODUCT SPEC					
FINISH	APPLICATION SPEC		LOC	SIZE	DRAWING NO	REV
-	WEIGHT		DW	A ₃	C-1734069	0
			SCALE	--	SHEET	4 OF 6

NUMBER
C-1734069



METRIC

THIS INFORMATION IS CONFIDENTIAL AND IS DISCLOSED TO YOU ON CONDITION THAT NO FURTHER DISCLOSURE IS MADE BY YOU TO OTHER THAN AMP PERSONNEL WITHOUT WRITTEN AUTHORIZATION FROM AMP (TAIWAN) LTD. DIMENSIONS IN MILLIMETERS. DO NOT SCALE PRINT.



FOR 1734069-1

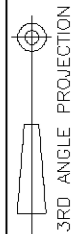
10.87KG/CARTON	350X305X365	600 PCS
GROSS WEIGHT	CARTON SIZE	QT'Y/CARTON

TOLERANCES UNLESS OTHERWISE SPECIFIED: 0 PLC ± 1 PLC ± 2 PLC ± 3 PLC ± ANGLES ±	DWN J. LEE 11-JUN-2004	tyco TYCO HOLDINGS (BERMUDA) Electronics VII LTD. TAIWAN BRANCH NAME
MATERIAL -	CHK S. HOU 11-JUN-2004	
FINISH -	APVD W.J. KE 11-JUN-2004	0.8 PITCH MINI PCI SOCKET, 9.2 HEIGHT, 124 POSITION.
	PRODUCT SPEC -	
	APPLICATION SPEC -	LOC SIZE DRAWING NO REV DW A ₃ C-1734069 0
	WEIGHT	SCALE SHEET -- 5 OF 6

	SEE SHEET 1.			
LTR	REVISION RECORD	ECN	DWN CHK	DATE

PRINT
DW

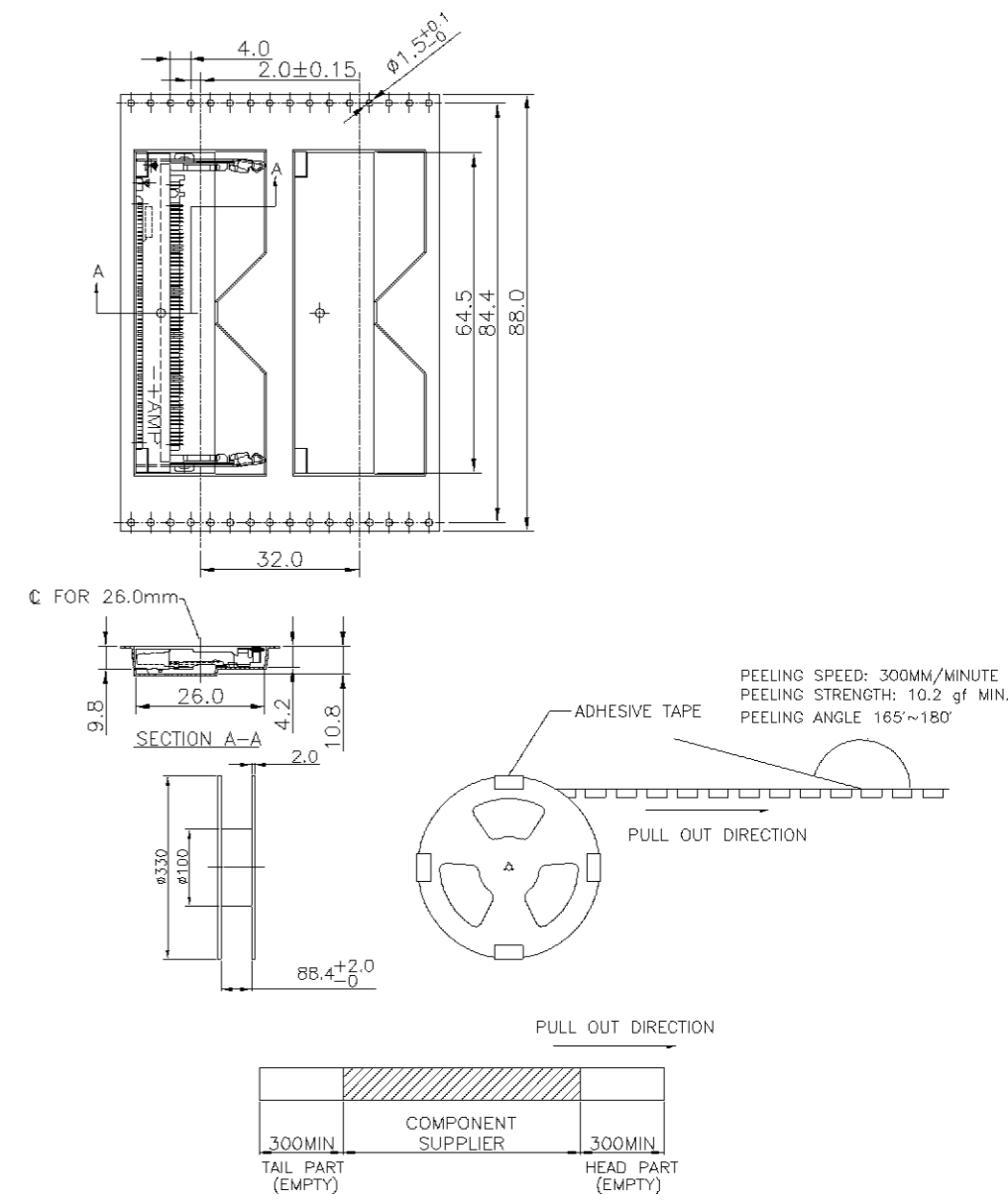
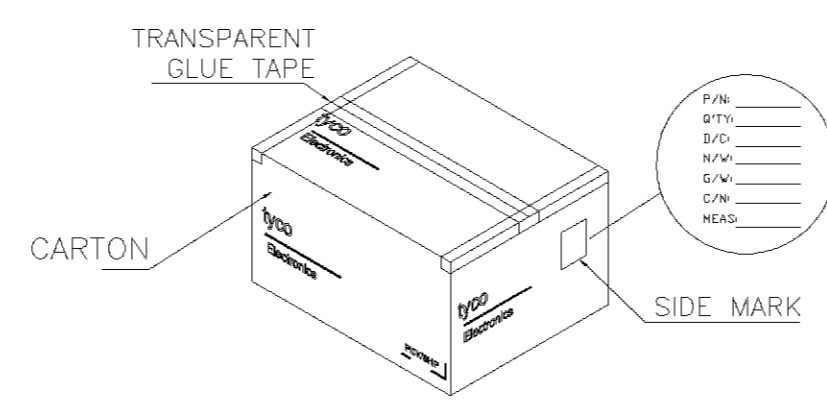
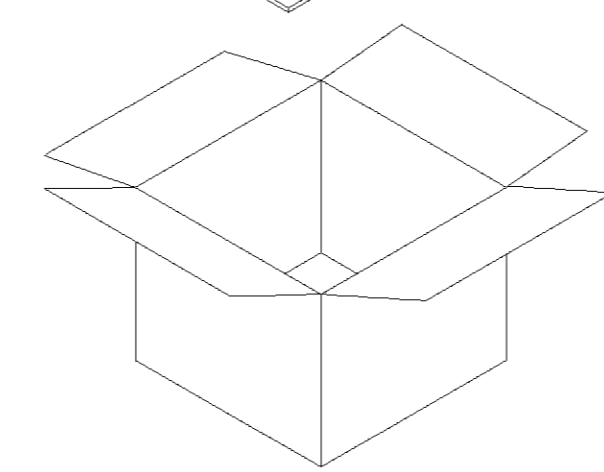
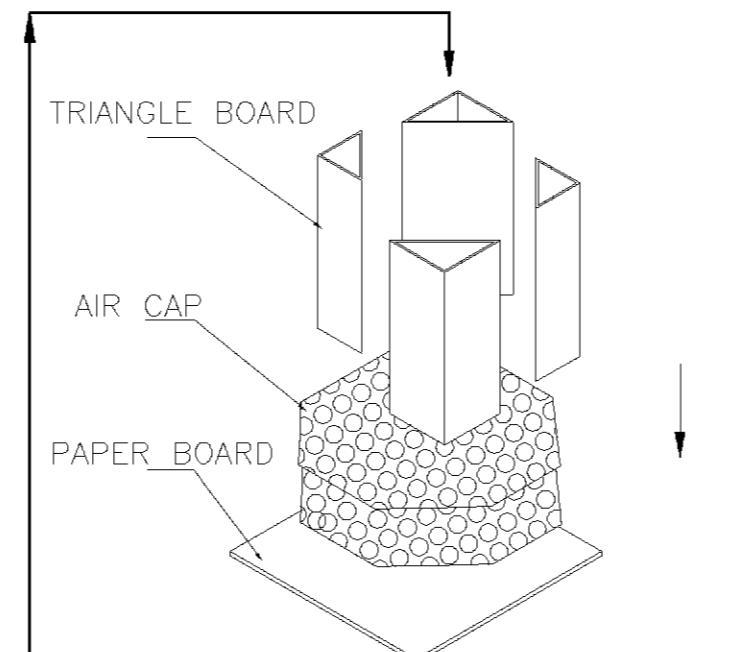
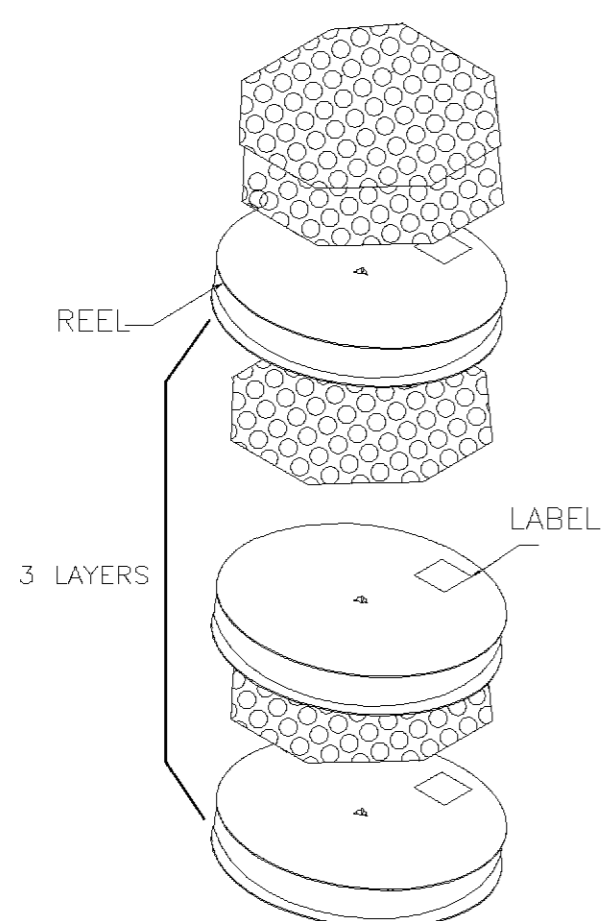
NUMBER
C-1734069



METRIC

THIS INFORMATION IS CONFIDENTIAL AND IS DISCLOSED TO YOU ON CONDITION THAT NO FURTHER DISCLOSURE IS MADE BY YOU TO OTHER THAN AMP PERSONNEL WITHOUT WRITTEN AUTHORIZATION FROM AMP (TAIWAN) LTD. DIMENSIONS IN MILLIMETERS. DO NOT SCALE PRINT.

PRINT DIST
DW



FOR 1734069-3

LTR	REVISION RECORD	ECN	DWN	CHK	DATE
	SEE SHEET 1.				

TOLERANCES UNLESS OTHERWISE SPECIFIED:		DWN		J. LEE		TYCO HOLDINGS (BERMUDA)			
0 PLC	±	11-JUN-2004		S. HOU		VII LTD. TAIWAN BRANCH			
1 PLC	±0.15	CHK		11-JUN-2004		NAME			
2 PLC	±0.10	APVD		W.J. KE		0.8 PITCH MINI PCI SOCKET, 9.2 HEIGHT, 124 POSITION.			
3 PLC	±0.05	PRODUCT SPEC		11-JUN-2004					
ANGLES ±2'		FINISH		APPLICATION SPEC		LOC	SIZE	DRAWING NO	REV
						DW	A ₃	C-1734069	0
		WEIGHT		SCALE		SHEET		6 OF 6	

5.8KG/CARTON	355X355X345	450 PCS
GROSS WEIGHT	CARTON SIZE	QT'Y/CARTON