



Chipsmall Limited consists of a professional team with an average of over 10 year of expertise in the distribution of electronic components. Based in Hongkong, we have already established firm and mutual-benefit business relationships with customers from,Europe,America and south Asia,supplying obsolete and hard-to-find components to meet their specific needs.

With the principle of "Quality Parts,Customers Priority,Honest Operation,and Considerate Service",our business mainly focus on the distribution of electronic components. Line cards we deal with include Microchip,ALPS,ROHM,Xilinx,Pulse,ON,Everlight and Freescale. Main products comprise IC,Modules,Potentiometer,IC Socket,Relay,Connector.Our parts cover such applications as commercial,industrial, and automotives areas.

We are looking forward to setting up business relationship with you and hope to provide you with the best service and solution. Let us make a better world for our industry!



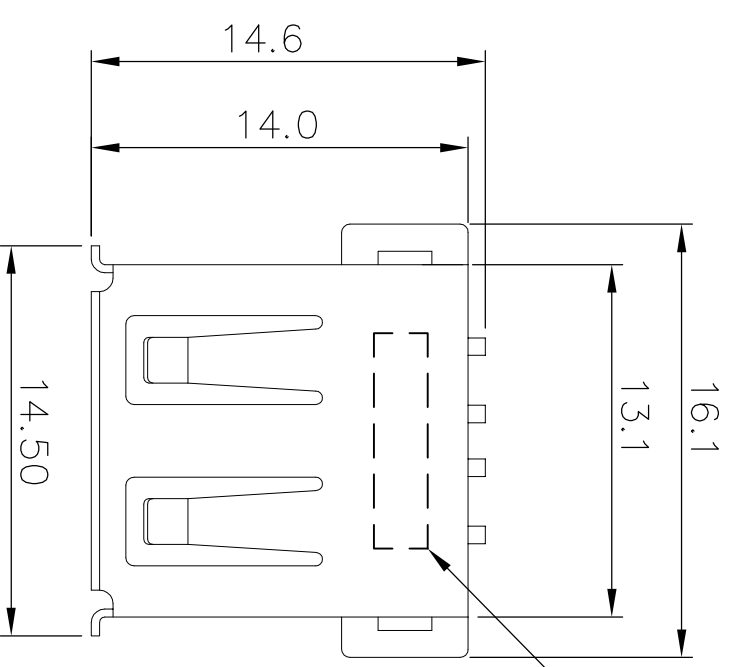
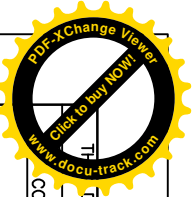
Contact us

Tel: +86-755-8981 8866 Fax: +86-755-8427 6832

Email & Skype: info@chipsmall.com Web: www.chipsmall.com

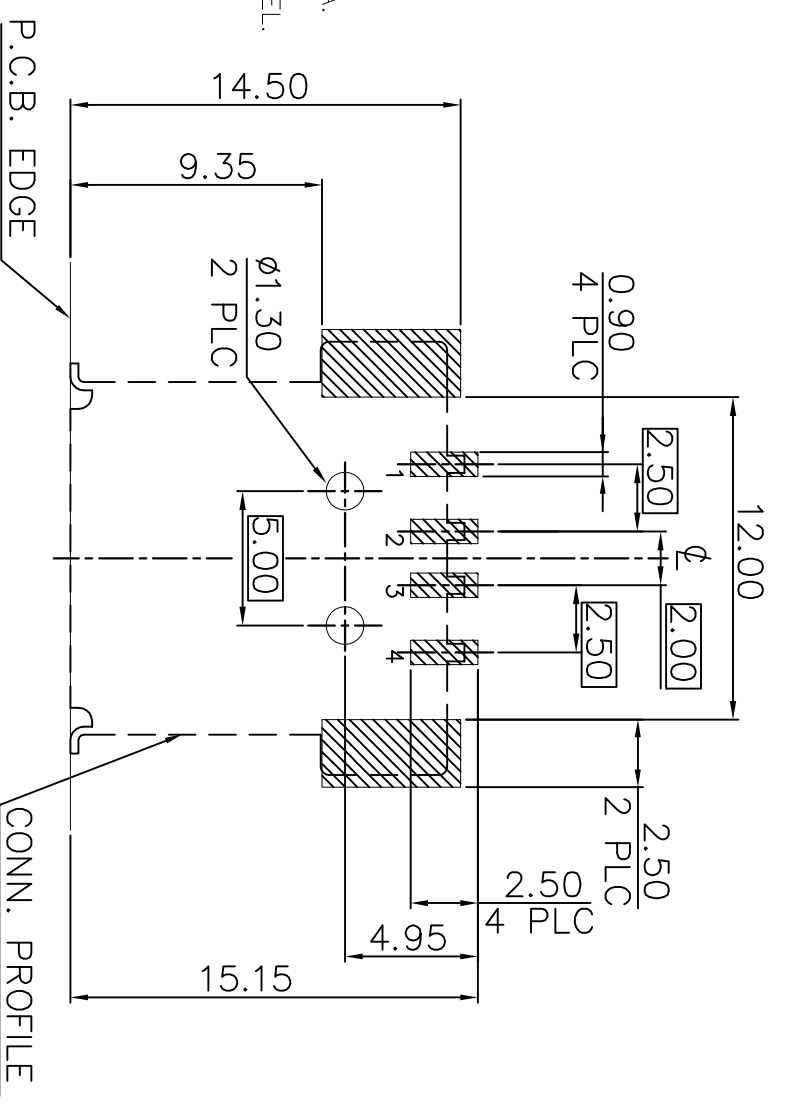
Address: A1208, Overseas Decoration Building, #122 Zhenhua RD., Futian, Shenzhen, China



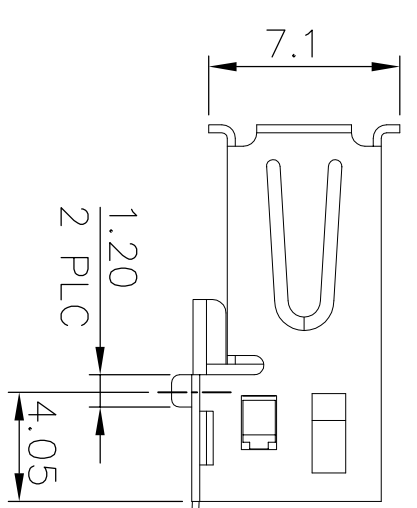
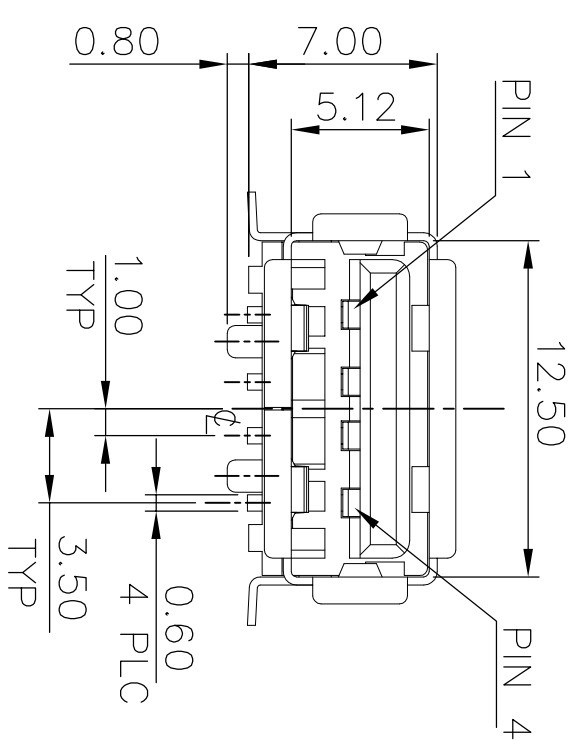


LOGO &
DATE CODE

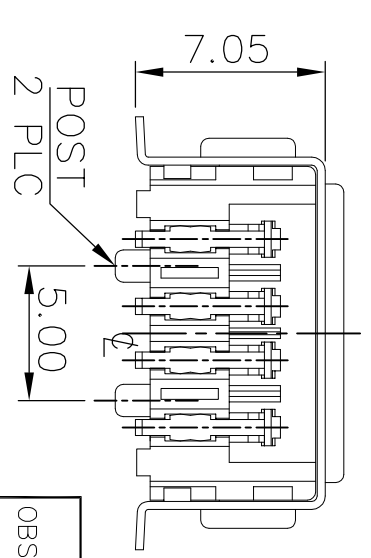
- NOTES:
1. MATERIAL: HOUSING: THERMOPLASTIC WITH 30% GF, UL 94V-0, COLOR: (SEE TABLE), CONTACTS: PHOSPHOR BRONZE, THICKNESS=0.25mm., SHIELD: BRASS, THICKNESS=0.30mm.
 2. FINISH: CONTACT: 0.762µm [30µ"] MIN. GOLD PLATED ON CONTACT AREA. 3.048µm [120µ"] MIN. BRIGHT-TIN ON SOLDER TAIL, WITH ENTIRE CONTACT UNDERPLATED 1.27µm [50µ"] MIN. NICKEL. SHIELD: 0.762µm [30µ"] MIN. NICKEL OVER 0.762µm [30µ"] MIN. REFLOW SOLDER CAPABLE TO 260°C PER TE TEST SPEC. 109-201, CONDITION B.



RECOMMENDED P.C.B. LAYOUT (THICKNESS=1.6mm)
 (TOP VIEW) TOLERANCES: ±0.05



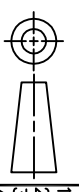
ALL CONTACTS AND PEGS 0.10



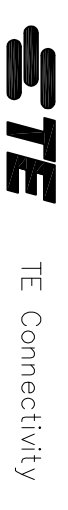
POST	COLOR	PART NUMBER
W/	BLACK	1-1734082-2
W/	WHITE	1-1734082-1
W/O	BLACK	1734082-2
W/O	WHITE	1734082-1

THIS DRAWING IS A CONTROLLED DOCUMENT.

DIMENSIONS:	TOLERANCES UNLESS OTHERWISE SPECIFIED:
MM	
0 PLC	± -
1 PLC	± 0.35
2 PLC	± 0.25
3 PLC	± 0.15
4 PLC	± -
ANGLES	± 3°

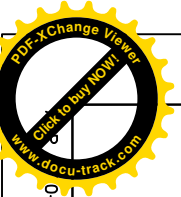


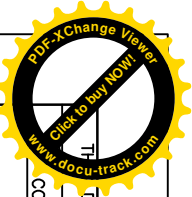
DMN	200C12005
O. HU	
CHK	200C12005
S. HSU	
APVD	200C12005
W. J. KE	
PRODUCT SPEC	108-57505
APPLICATION SPEC	501-57579
WEIGHT	1.82 GRAMS
CUSTOMER DRAWING	



USB CON, RCPT, ASS'Y, R/A SMT, A TYPE

NAME	SIZE	CAGE CODE	DRAWING NO	RESTRICTED TO
	A3	00779	1734082	



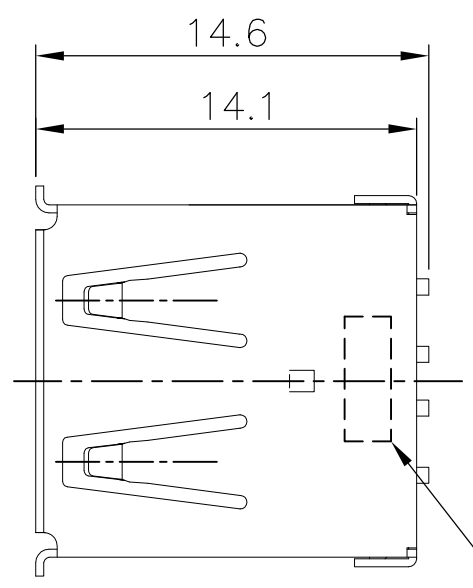


LOC DW
 DIST

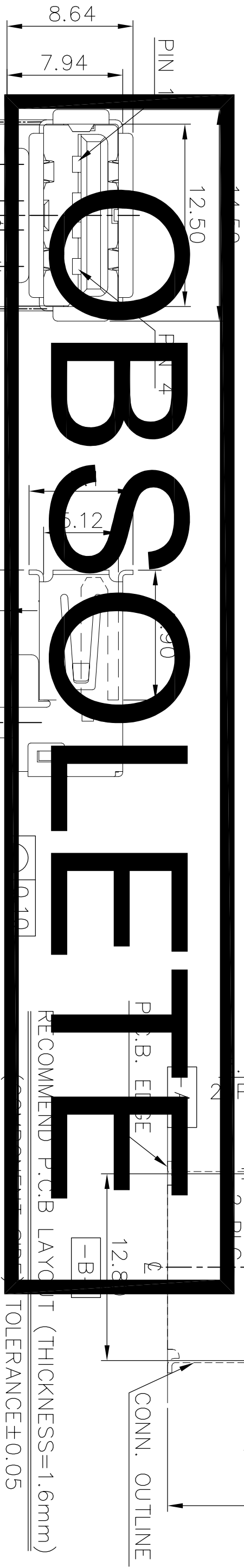
P	LTR	DESCRIPTION	DATE	DWN	APVD
		SEE SHEET 1.			

REVISIONS

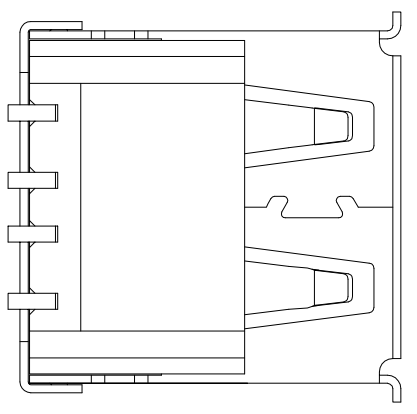
LOGO &
 DATE CODE



- NOTES:
- MATERIAL:
 HOUSING: THERMOPLASTIC WITH 30% GF, UL 94V-0, COLOR: BLACK.
 CONTACTS: PHOSPHOR BRONZE, THICKNESS=0.25mm.
 SHIELD: BRASS, THICKNESS=0.30mm.
 - FINISH:
 CONTACT: 0.762µm [30µ"] MIN. GOLD PLATED ON CONTACT AREA.
 3.048µm [120µ"] MIN. BRIGHT-TIN ON SOLDER TAIL, WITH ENTIRE CONTACT UNDERPLATED 1.27µm [50µ"] MIN. NICKEL.
 SHIELD: 0.762µm [30µ"] MIN. NICKEL OVER 0.762µm [30µ"] MIN. REFLOW SOLDER CAPABLE TO 260°C PER TEST SPEC. 109-201, CONDITION B.

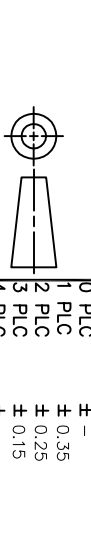


ALL CONTACTS
 AND PEGGS



THIS DRAWING IS A CONTROLLED DOCUMENT.

DIMENSIONS:
 MM



MATERIAL
 SEE NOTE

DWN	CHK	APVD	PRODUCT SPEC	APPLICATION SPEC	WEIGHT

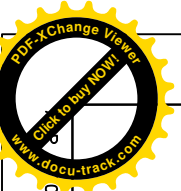
NAME
STE TE Connectivity

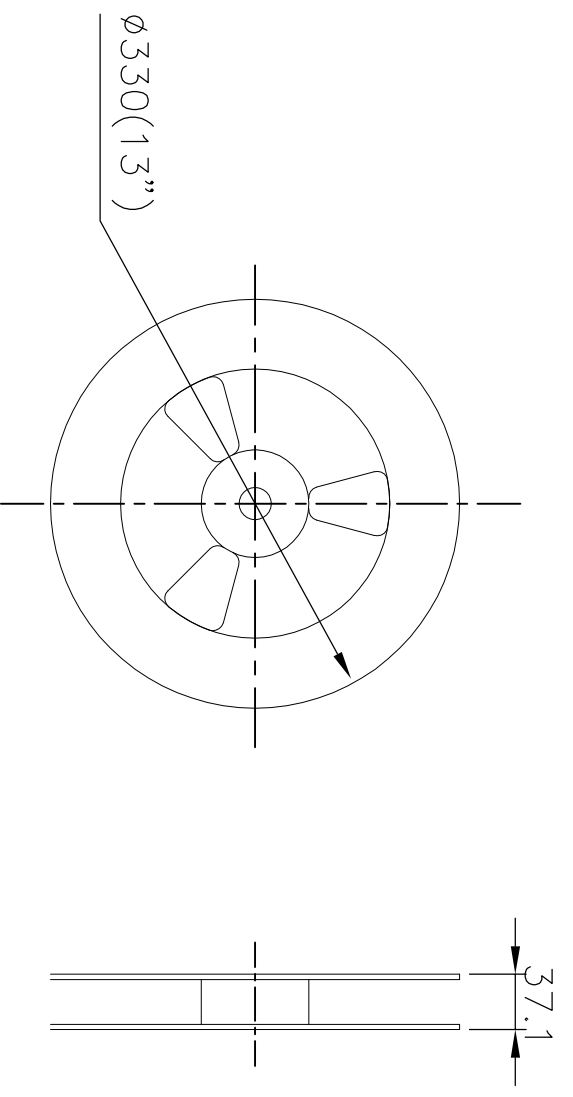
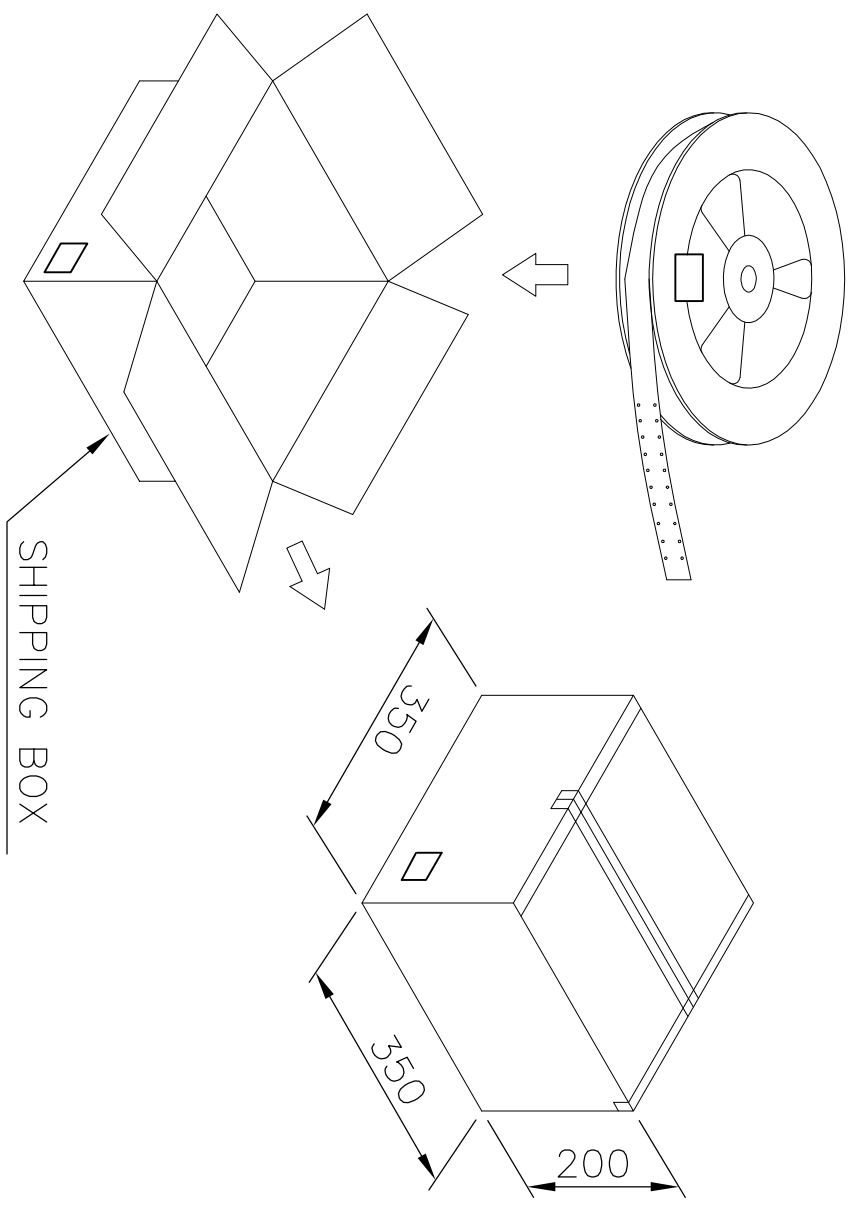
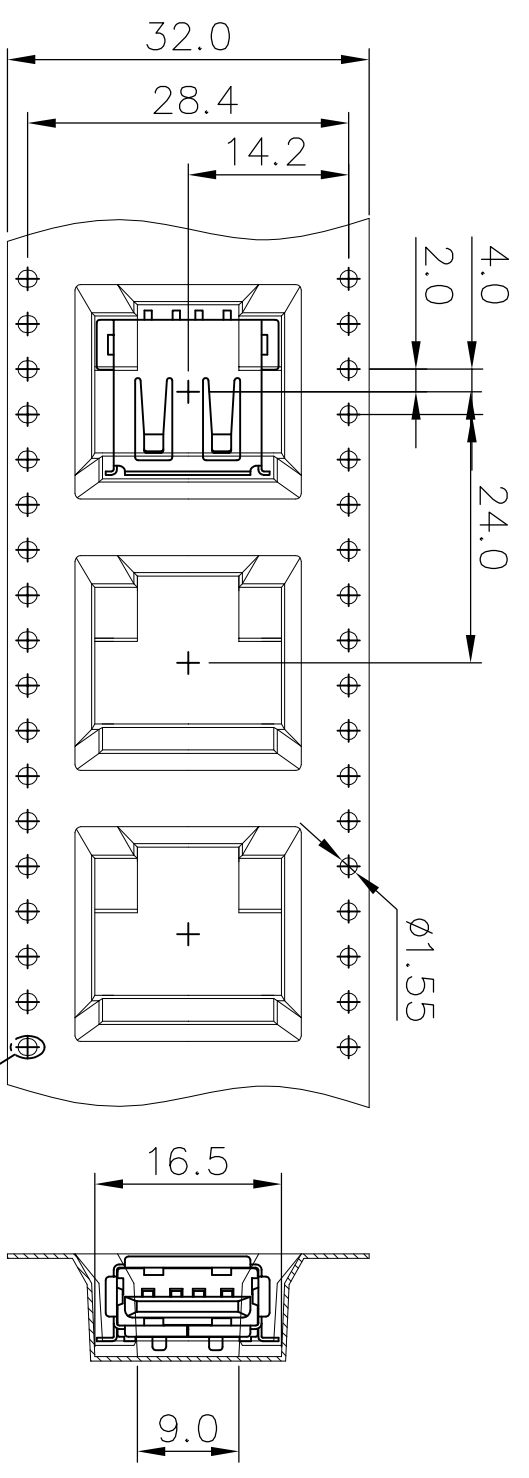
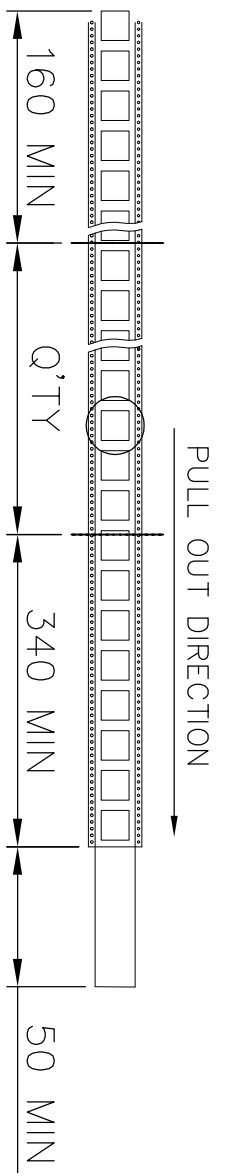
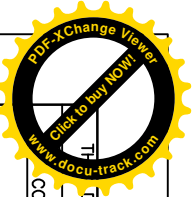
USB CON, RCPT, ASS'Y, R/A SMT, A TYPE

SIZE	CAGE CODE	DRAWING NO	RESTRICTED TO
A3	00779	G1734082	

CUSTOMER DRAWING	SCALE	SHEET	REV
		2 of 4	B4

2-1734082-1
 PART NUMBER



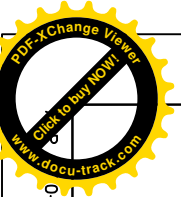


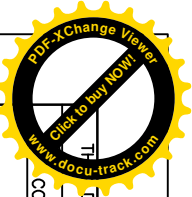
Loc	DIST	REV	DESCRIPTION	DATE	DWN	APVD
DW		P	LTR			
			SEE SHEET 1.			

PCS / REELS / REEL	REELS / BOX	QUANTITY (PCS)	G/W (kg)	N/W (kg)	PART NUMBER
300	5	1500	5.36	2.73	1-1734082-2
					1-1734082-1
					1734082-1
					1734082-2

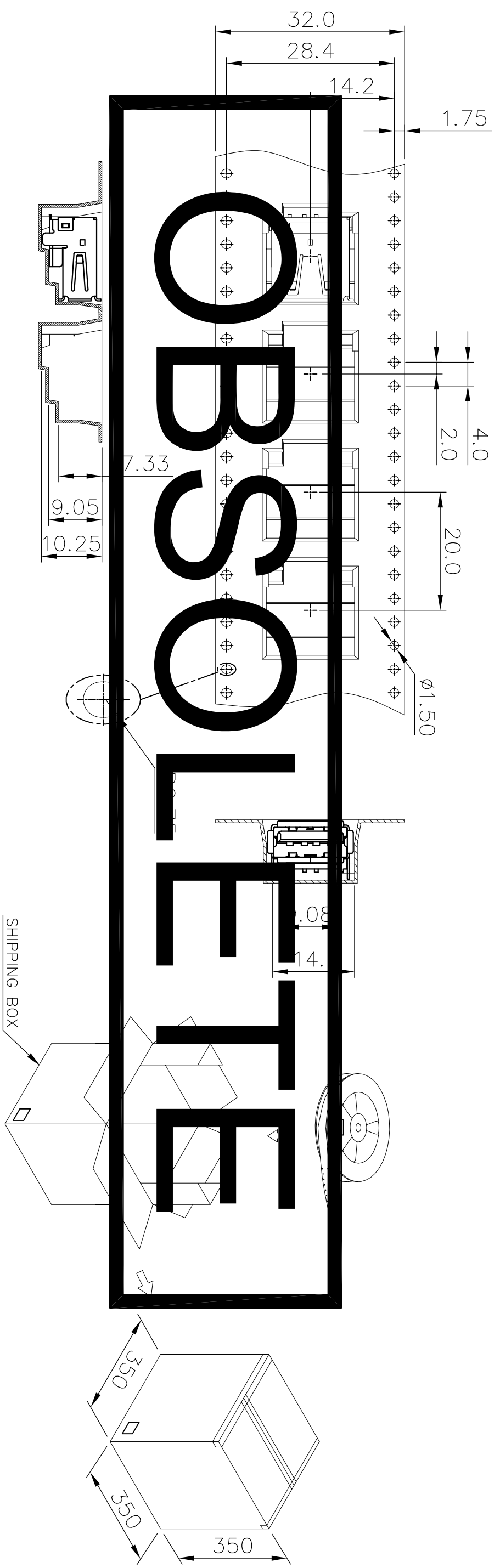
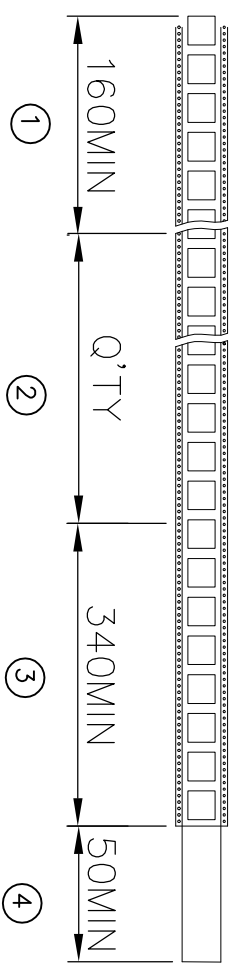
THIS DRAWING IS A CONTROLLED DOCUMENT.

DIMENSIONS: MM	TOLERANCES UNLESS OTHERWISE SPECIFIED:	DMN	CHK	APVD	NAME
	0 PLC ±				STE TE Connectivity USB CON, RCPT, ASS'Y, R/A SMT, A TYPE
	1 PLC ±				
	2 PLC ±				
	3 PLC ±				
	4 PLC ±				
MATERIAL	FINISH	PRODUCT SPEC	APPLICATION SPEC	WEIGHT	SIZE
					A3
					CAGE CODE
					A300779
					DRAWING NO
					G=1734082
					SCALE
					SHEET
					3 OF 4
					REV
					B4

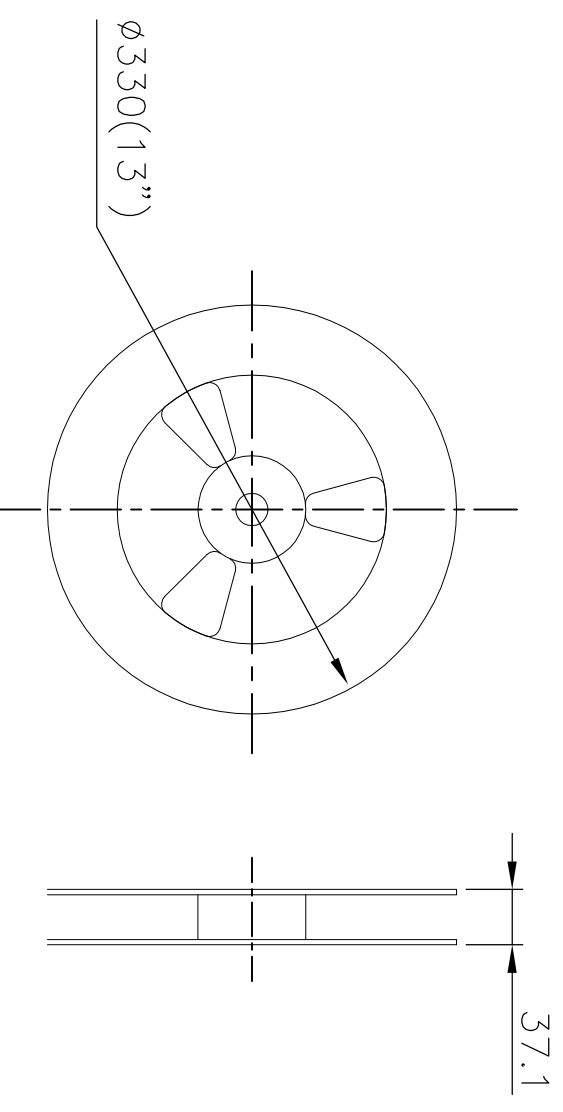
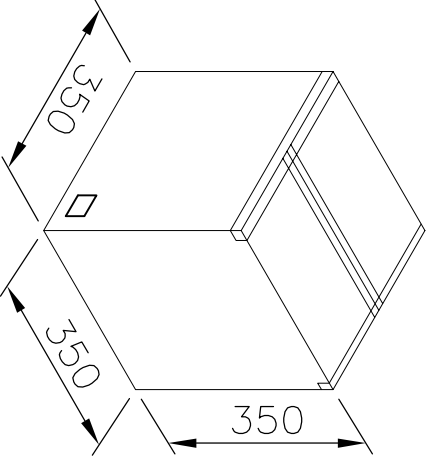




REV	DESCRIPTION	DATE	DWN	APVD
1	SEE SHEET 1.			



OBVIOUS



THIS DRAWING IS A CONTROLLED DOCUMENT.

DIMENSIONS: MM	TOLERANCES UNLESS OTHERWISE SPECIFIED:
	0 PLC ±
	1 PLC ±
	2 PLC ±
	3 PLC ±
	4 PLC ±
	ANGLES ±
MATERIAL	FINISH

PCS/ REEL	REELS/ CARTON	QUANTITY (PCS)	G/W (Kg)	N/W (Kg)	PART NUMBER
300	9	2700	12	5.94	1734082



TE Connectivity

USB CON, RCPT, ASS'Y, R/A SMT, A TYPE

DMN	CHK	APVD	PRODUCT SPEC	APPLICATION SPEC	WEIGHT	CUSTOMER DRAWING
NAME						
SIZE						
CAGE CODE						
DRAWING NO						
SCALE						
SHEET						
REV						
RESTRICTED TO						

