



Chipsmall Limited consists of a professional team with an average of over 10 year of expertise in the distribution of electronic components. Based in Hongkong, we have already established firm and mutual-benefit business relationships with customers from,Europe,America and south Asia,supplying obsolete and hard-to-find components to meet their specific needs.

With the principle of “Quality Parts,Customers Priority,Honest Operation,and Considerate Service”,our business mainly focus on the distribution of electronic components. Line cards we deal with include Microchip,ALPS,ROHM,Xilinx,Pulse,ON,Everlight and Freescale. Main products comprise IC,Modules,Potentiometer,IC Socket,Relay,Connector.Our parts cover such applications as commercial,industrial, and automotives areas.

We are looking forward to setting up business relationship with you and hope to provide you with the best service and solution. Let us make a better world for our industry!



Contact us

Tel: +86-755-8981 8866 Fax: +86-755-8427 6832

Email & Skype: info@chipsmall.com Web: www.chipsmall.com

Address: A1208, Overseas Decoration Building, #122 Zhenhua RD., Futian, Shenzhen, China

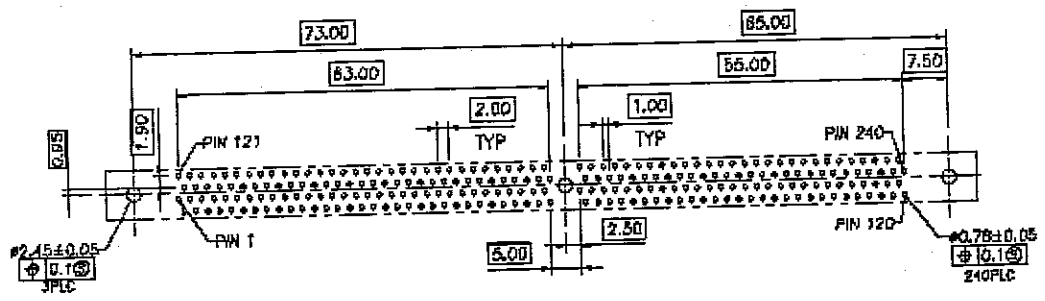
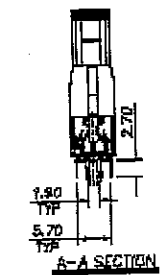
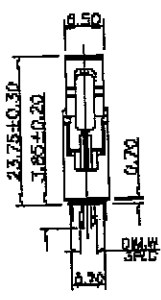
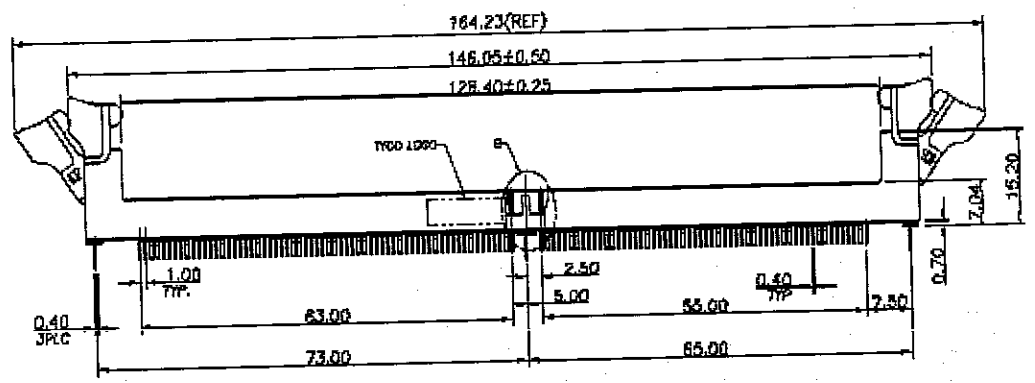
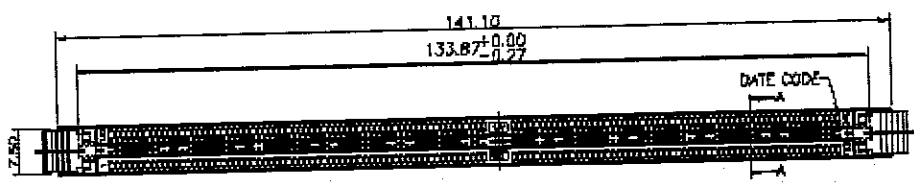


NUMBER C-1734097

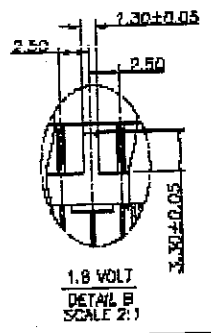
3RD ANGLE PROJECTION

METRIC

THIS DRAWING IS THE PROPERTY OF TAIYU ELECTRONIC CO., LTD. IT IS TO BE USED ONLY FOR THE PURPOSES SPECIFIED. IT IS NOT TO BE REPRODUCED OR TRANSMITTED IN ANY FORM OR BY ANY MEANS, ELECTRONIC OR MECHANICAL, INCLUDING PHOTOCOPYING, RECORDING, OR BY ANY INFORMATION STORAGE AND RETRIEVAL SYSTEM, WITHOUT PERMISSION IN WRITING FROM TAIYU ELECTRONIC CO., LTD. DIMENSIONS IN MILLIMETERS. DO NOT SCALE PRINT.



RECOMMENDED PCB LAYOUT
PCB TOLERANCE: ±0.05



Q	ADDED P/15-3,6-4,7-1,2-1	ECR-08-027558	HH	27NOV 2006
B	REVISED	ECR-09-007135	SH	24JUNE 2006
A	REVISED	ECR-06-016182	WK	23NOV 2005
C	FIRST RELEASED	F200-0028-04	WK	14MAY 2004
LTR	REVISION RECORD	EDM	WK	20MAY 2004

- NOTES:
- MATERIAL:
 - HOUSING: THERMOPLASTIC, PA46, UL94V-0, COLOR: SEE TABLE
 - EXTRACTOR: THERMOPLASTIC(PA66), UL94V-0, COLOR: WHITE
 - CONTACT: PHOSPHOR BRONZE
 - BOARD LOCK: BRASS
 - FINISH:
 - CONTACT:
 - GOLD PLATING ON CONTACT AREA, 2.54µm[100µ"]MIN. MATTE TIN PLATING ON SOLDER TAILS, 7.27µm[50µ"]MIN. NICKEL UNDERPLATING OVERALL.
 - BOARD LOCK:
 - 1.27µm[50µ"] MIN NICKEL UNDERPLATING OVERALL.
 - RECOMMENDED PCB THICKNESS: 1.27mm
 - WAVE SOLDERING CAPABLE TO 265±5°C, PER TYCO SPEC. 1D9-202 CONDITION B.

2.90	GREEN/3259C	GOLD FLASH	8-	-1
	BLUE/2548C	GOLD FLASH	7-	-1
	GREEN 347C	15u"	6-	-4
	PURPLE 2726U	15u"	6-	-2
		GOLD FLASH	6-	-1
	BLUE GREEN 338LU	15u"	5-	-2
2.65	ORANGE 137C	15u"	4-	-2
	APPLE GREEN 382V	GOLD FLASH	4-	-1
		15u"	3-	-2
2.90	BLUE 301C	15u"	2-	-2
	WHITE	GOLD FLASH	2-	-1
		15u"	1-	-2
	BLACK	30u"		-3
		15u"		-2
		GOLD FLASH		1734097-1
DIM. N°	HSIC. COLOR PALETTE	GOLD PLATING	PART NUMBER	

TOLERANCES UNLESS OTHERWISE SPECIFIED	DRN	A. HILARIO	27-NOV-2006	Taiyu Electronics Co., Ltd. TAIYU ELECTRONIC CO., LTD. TAIWAN BRANCH
Ø FUR ± 0.3	GRK	WLL KE	27-NOV-2006	NAME
Ø FUR ± 0.2		WLL KE	27-NOV-2006	NAME
Ø FUR ± 0.2		WLL KE	27-NOV-2006	NAME
ANGLES ± 3°		WLL KE	27-NOV-2006	NAME
MATERIAL	APVD	WLL KE	27-NOV-2006	DDRII 240PIN SOCKET
SEE NOTE	PRODUCIT SPEC	108-57350		
FINISH	APPLICATION SPEC			
SEE NOTE	WEIGHT	10 GRAM		

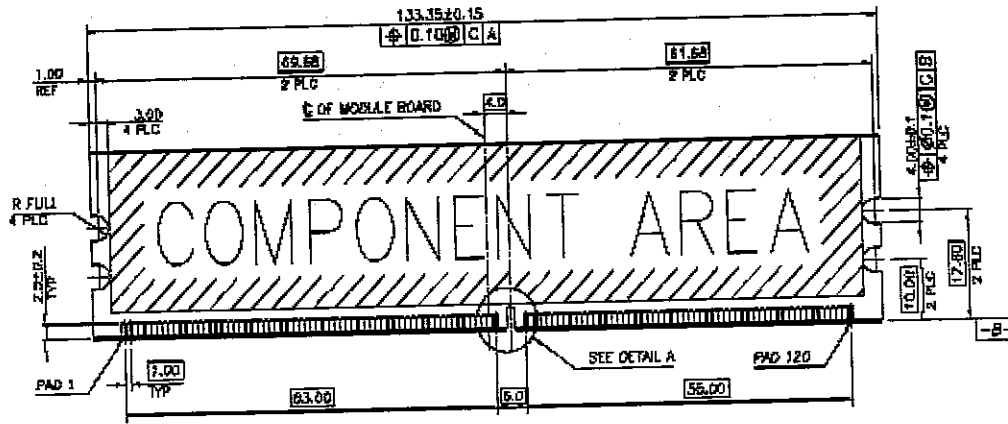
CUSTOMER DRAWING

8 7 6 5 4 3 2 1

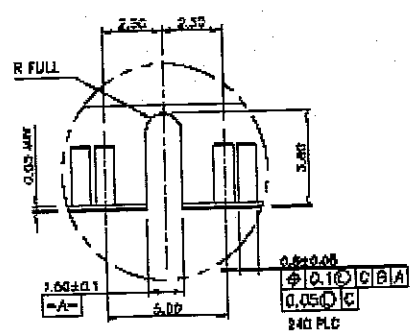
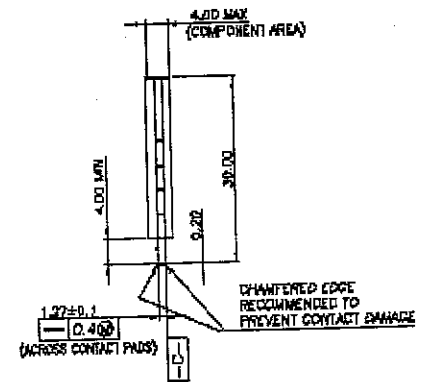
NUMBER C-1734097



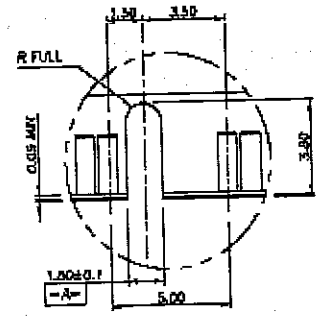
METRIC



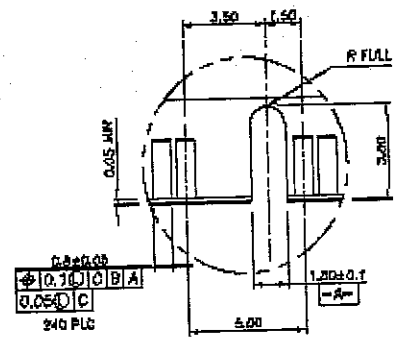
RECOMMENDED MODULE LAYOUT



1.8V
 DETAIL A
 SCALE 4:1



2.5V
 DETAIL A
 SCALE 4:1



3.3V
 DETAIL A
 SCALE 4:1

THIS INFORMATION IS CONFIDENTIAL AND IS TO BE USED ONLY FOR THE ORIGINAL PUR-
 PURCHASER. IT IS NOT TO BE REPRODUCED, COPIED, OR TRANSMITTED IN ANY FORM OR BY ANY MEANS,
 ELECTRONIC OR MECHANICAL, INCLUDING PHOTOCOPYING, RECORDING, OR BY ANY INFORMATION STORAGE AND RETRIEVAL SYSTEM.
 DIMENSIONS IN MILLIMETERS. DO NOT SCALE PRINT.

SIE SHEET 1		EEN		DATE	
LTR	REVISION REQUIRED				

TOLERANCES UNLESS OTHERWISE SPECIFIED:		DRN	N. HUIANG	 Teco Electronics (Malaysia) Sdn Bhd 14, LIDA, TAINAN BRANCH
0 PLC ± 0.3	1 PLC ± 0.2	CHK	S. HOU	
2 PLC ± 0.2	3 PLC ± 0.2	APVD	W.J. KE	NAME DDRII 240PIN SOCKET
ANGLES ± 3		PRODUCT SPEC	27-NOV-2009	
MATERIAL		APPLICATION SPEC		LOG SIZE DRAWING NO
		WEIGHT		DW A ₂ C-1734097
				SCALE SHEET
				2 OF 3

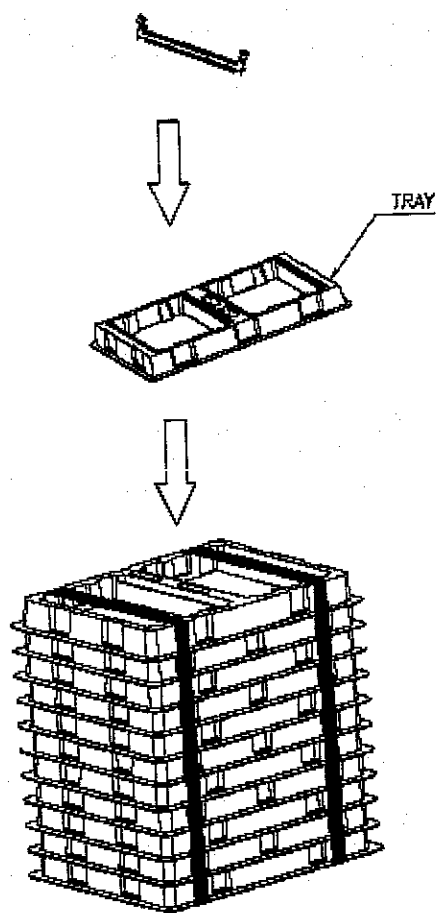
CUSTOMER DRAWING

NUMBER C-1734097

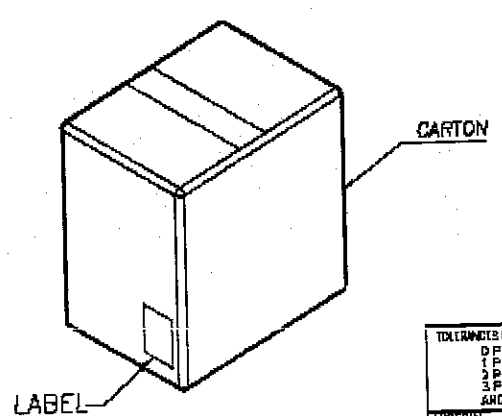
3RD ANGLE PROJECTION

METRIC

THIS INFORMATION IS CONFIDENTIAL AND IS EXCLUDED IN YOUR OWN CONTRACTS. YOU MAY NOT REPRODUCE OR TRANSMIT THIS INFORMATION IN ANY FORM OR BY ANY MEANS, ELECTRONIC OR MECHANICAL, INCLUDING PHOTOCOPYING, RECORDING, OR BY ANY INFORMATION STORAGE AND RETRIEVAL SYSTEM. DIMENSIONS IN MILLIMETERS. DO NOT SCALE PRINT.



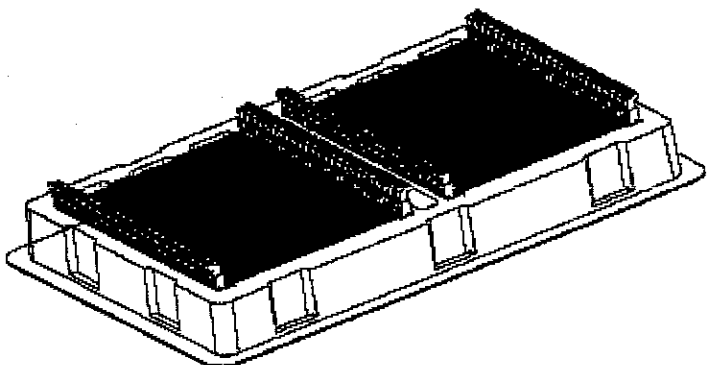
TRAY



CARTON

LABEL

- NOTE:
1. DIMENSION:
 TRAY: L = 365, W = 255, H = 33
 CARTON: L = 385, W = 270, H = 365
 2. QUANTITY:
 50 PCS/TRAY
 10 TRAYS/CARTON (500 PCS/CARTON)
 3. WEIGHT :
 NET WEIGHT : 5.0KG
 GROSS WEIGHT : 7.0KG



TRAY LAYOUT

SEE SHEET 1	ECN	DATE
LTR	REVISION RECORD	DATE

TOLERANCES UNLESS OTHERWISE SPECIFIED: 0 P/C ± 0.3 1 P/C ± 0.3 2 P/C ± 0.2 3 P/C ± 0.2 ANGLES ± 3°	DATE 27-NOV-2009	DESIGNER H. HUANG	TYPE type	TYPE HOLDING ORGANIZATION VI LTD. TAIWAN BRANCH
MATERIAL SEE NOTE	CHK S. HOU 27-NOV-2009	APVD W.J. KE 27-NOV-2009	NAME DDRII 240PIN SOCKET	
FINISH SEE NOTE	WEIGHT	APPLICATION SPEC	LOC DW A3	DRAWING NO. C-1734097
			SCALE	SHEET 3 OF 3

CUSTOMER DRAWING

DWG

8 7 6 5 4 3 2 1