



Chipsmall Limited consists of a professional team with an average of over 10 year of expertise in the distribution of electronic components. Based in Hongkong, we have already established firm and mutual-benefit business relationships with customers from,Europe,America and south Asia,supplying obsolete and hard-to-find components to meet their specific needs.

With the principle of “Quality Parts,Customers Priority,Honest Operation,and Considerate Service”,our business mainly focus on the distribution of electronic components. Line cards we deal with include Microchip,ALPS,ROHM,Xilinx,Pulse,ON,Everlight and Freescale. Main products comprise IC,Modules,Potentiometer,IC Socket,Relay,Connector.Our parts cover such applications as commercial,industrial, and automotives areas.

We are looking forward to setting up business relationship with you and hope to provide you with the best service and solution. Let us make a better world for our industry!



Contact us

Tel: +86-755-8981 8866 Fax: +86-755-8427 6832

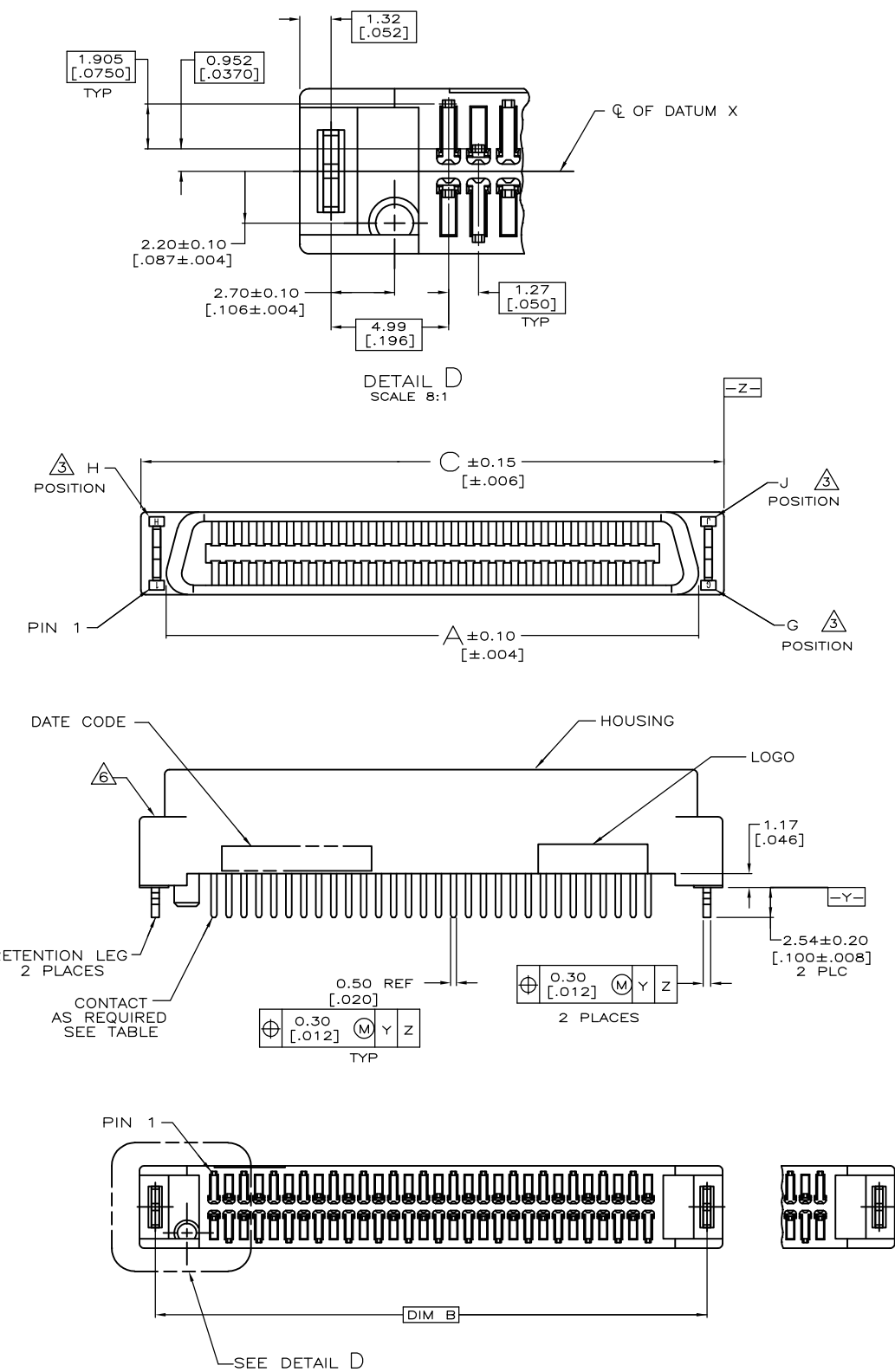
Email & Skype: info@chipsmall.com Web: www.chipsmall.com

Address: A1208, Overseas Decoration Building, #122 Zhenhua RD., Futian, Shenzhen, China



THIS DRAWING IS UNPUBLISHED. RELEASED FOR PUBLICATION
 © COPYRIGHT - By - ALL RIGHTS RESERVED.

LOC	DIST	REVISIONS					
		P	LTR	DESCRIPTION	DATE	DWN	APVD
DW	/		D2	REVISED. ECR-12-013026	22MAR13	K.M	E.T



NOTE:
 1. MATERIAL:
 HOUSING: LCP, MOLDING COMPOUND, UL 94V-0, BLACK COLOR.
 CONTACTS: PHOSPHOR BRONZE.
 BOARDLOCKS: BRASS.
 2. FINISH:
 CONTACTS: (SEE TABLE) GOLD PLATED ON CONTACT AREA,
 3.81μm [150μ"] MIN. MATTE-TIN ON SOLDERTAIL,
 1.27μm [50μ"] MIN. NICKEL UNDERPLATED OVERALL.
 BOARDLOCKS: 3.81μm [150μ"] MIN. TIN-Cu OVER
 1.27μm [50μ"] MIN. UNDERPLATED.
 ⚠ G, J, H INDICATE NUMBER OF POSITION MARKED ON ASSEMBLY.
 ALSO SEE TABLE.
 ⚠ ALL DIMENSIONS SHOWN ARE MAXIMUM UNLESS OTHERWISE SPECIFIED.
 ⚠ RETENTION LEGS NOT PRESENT.
 ⚠ TOP OF RETENTION LEG MAY NOT PROTRUDE ABOVE THIS SURFACE.
 ⚠ HOUSING BOW UP TO 0.30 [.012] ALLOWED.
 8. 60 POSITION AS SHOWN.
 9. WAVE SOLDER CAPABLE TO 265°C PER TEST SPEC.
 109-202, CONDITION B.
 ⚠ GOLD FLASH OVER
 0.762μm [30μ"] MIN. PALLADIUM-NICKEL PLATED.

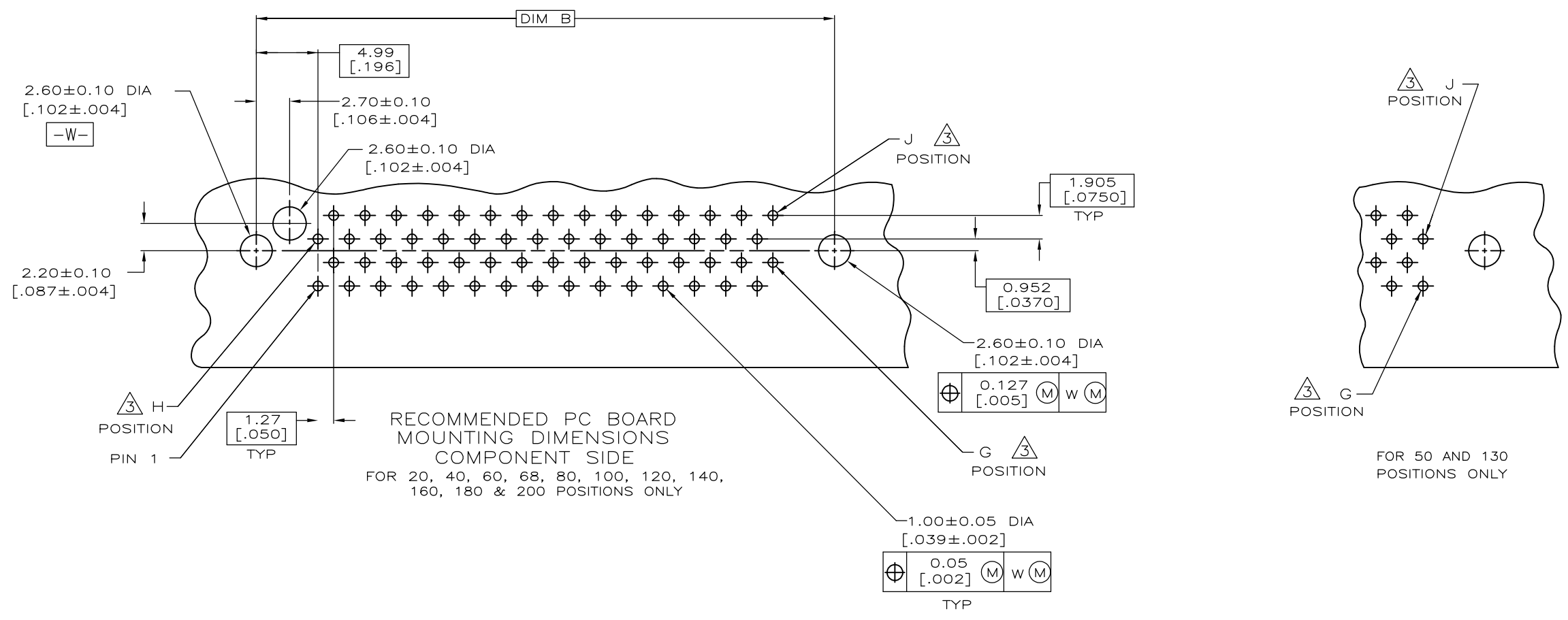
PCB THICKNESS	E	C	B	A	G	J	H	CONTACT PLATED	PART NUMBER	POS.	
OBSOLETE	0.80-1.60 [.031-.063]	2.54 [.100]	125.65 [4.947]	123.01 [4.843]	121.37 [4.778]	90	180	91	GOLD FLASH 0.381mm[15m"] 1-1734100-8	180	
	OBSOLETE	0.80-1.60 [.031-.063]	2.54 [.100]	112.95 [4.447]	110.31 [4.343]	108.67 [4.278]	80	160	81	GOLD FLASH 0.381mm[15m"] 3-1734100-6	160
										GOLD FLASH 0.381mm[15m"] 1-1734100-6	
OBSOLETE	0.80-1.60 [.031-.063]	2.54 [.100]	93.90 [3.697]	91.26 [3.593]	89.62 [3.528]	65	130	66	GOLD FLASH 0.381mm[15m"] 3-1734100-3	130	
									GOLD FLASH 0.381mm[15m"] 1-1734100-3		
OBSOLETE	0.80-1.60 [.031-.063]	2.54 [.100]	87.55 [3.447]	84.91 [3.343]	83.27 [3.278]	60	120	61	GOLD FLASH 0.381mm[15m"] 3-1734100-2	120	
									GOLD FLASH 0.381mm[15m"] 1-1734100-2		
OBSOLETE	2.08 [.082]	3.17 [.125]	74.85 [2.947]	72.21 [2.843]	70.57 [2.778]	50	100	51	GOLD FLASH 0.381mm[15m"] 5-1734100-1	100	
									GOLD FLASH 0.381mm[15m"] 1-1734100-1		
OBSOLETE	0.80-1.60 [.031-.063]	2.54 [.100]	74.85 [2.947]	72.21 [2.843]	70.57 [2.778]	50	100	51	GOLD FLASH 0.381mm[15m"] 3-1734100-0	80	
									GOLD FLASH 0.381mm[15m"] 1-1734100-0		
OBSOLETE	0.80-1.60 [.031-.063]	2.54 [.100]	62.15 [2.447]	59.51 [2.343]	57.87 [2.278]	40	80	41	GOLD FLASH 0.381mm[15m"] 4-1734100-9	80	
									GOLD FLASH 0.381mm[15m"] 2-1734100-9		
OBSOLETE	0.80-1.60 [.031-.063]	2.54 [.100]	62.15 [2.447]	59.51 [2.343]	57.87 [2.278]	40	80	41	GOLD FLASH 0.381mm[15m"] 4-1734100-8	80	
									GOLD FLASH 0.381mm[15m"] 1734100-8		
OBSOLETE	0.80-1.60 [.031-.063]	2.54 [.100]	54.53 [2.147]	57.89 [2.043]	50.25 [1.978]	34	68	35	GOLD FLASH 0.381mm[15m"] 2-1734100-7	68	
									GOLD FLASH 0.381mm[15m"] 1734100-7		
OBSOLETE	0.80-1.60 [.031-.063]	2.54 [.100]	49.45 [1.947]	45.81 [1.843]	45.17 [1.778]	30	60	31	GOLD FLASH 0.381mm[15m"] 2-1734100-6	60	
									GOLD FLASH 0.381mm[15m"] 1734100-6		
OBSOLETE	2.08 [.082]	3.17 [.125]	43.10 [1.697]	40.46 [1.593]	38.82 [1.528]	25	50	26	GOLD FLASH 0.381mm[15m"] 5-1734100-9	50	
									GOLD FLASH 0.381mm[15m"] 1-1734100-9		
OBSOLETE	0.80-1.60 [.031-.063]	2.54 [.100]	43.10 [1.697]	40.46 [1.593]	38.82 [1.528]	25	50	26	GOLD FLASH 0.381mm[15m"] 4-1734100-5	40	
									GOLD FLASH 0.381mm[15m"] 1734100-5		
OBSOLETE	0.80-1.60 [.031-.063]	2.54 [.100]	36.75 [1.447]	34.11 [1.343]	32.47 [1.278]	20	40	21	GOLD FLASH 0.381mm[15m"] 2-1734100-4	30	
									GOLD FLASH 0.381mm[15m"] 1734100-4		
OBSOLETE	0.80-1.60 [.031-.063]	2.54 [.100]	30.40 [1.197]	27.76 [1.093]	26.12 [1.025]	15	30	16	GOLD FLASH 0.381mm[15m"] 2-1734100-3	20	
									GOLD FLASH 0.381mm[15m"] 1734100-3		
OBSOLETE	2.08 [.082]	3.17 [.125]	24.05 [.947]	21.41 [.843]	19.77 [.778]	10	20	11	GOLD FLASH 0.381mm[15m"] 4-1734100-2	20	
									GOLD FLASH 0.381mm[15m"] 1734100-2		

THIS DRAWING IS A CONTROLLED DOCUMENT.

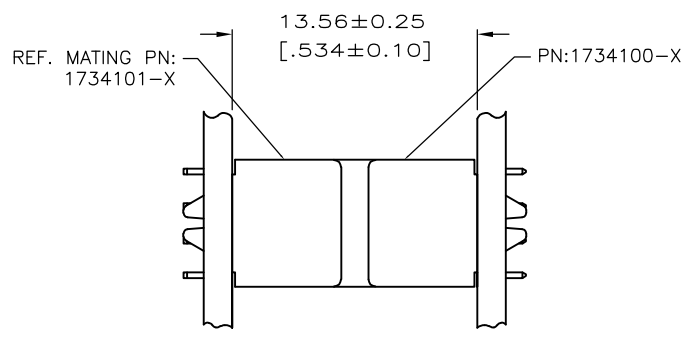
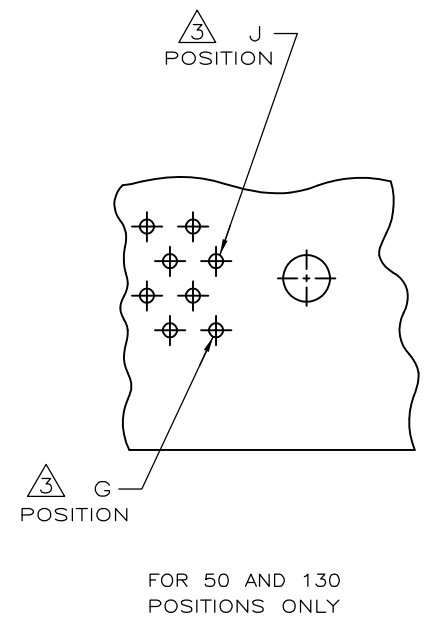
DIMENSIONS: mm	TOLERANCES UNLESS OTHERWISE SPECIFIED: 0 PLC ± - 1 PLC ± - 2 PLC ± - ⚠ 3 PLC ± - 4 PLC ± - ANGLES ± -	DWN F. YANG 31MAR2009	TE Connectivity PLUG ASSEMBLY, VERTICAL BOARD-TO-BOARD, CHAMP .050, SERIES I
MATERIAL SEE NOTE	FINISH SEE NOTE	CHK S. CHIEN 31MAR2009	
		APVD W. KODAMA 31MAR2009	
		NAME 108-57876	
		PRODUCT SPEC 108-57876	RESTRICTED TO
		WEIGHT -	SIZE A3
		CUSTOMER DRAWING	CAGE CODE 00779
			DRAWING NO C-1734100
			SHEET 1 of 4
			REV D2

THIS DRAWING IS UNPUBLISHED. RELEASED FOR PUBLICATION
 © COPYRIGHT - By - ALL RIGHTS RESERVED.

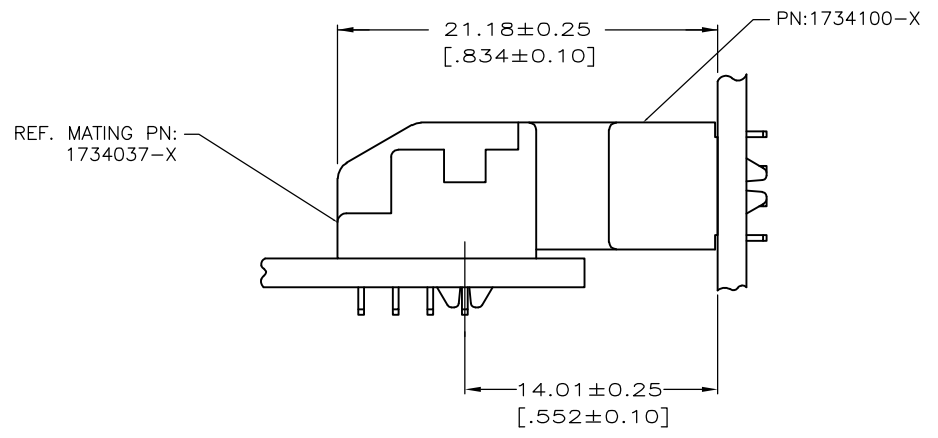
LOC	DIST	REVISIONS			
P	LTR	DESCRIPTION	DATE	DWN	APVD
		SEE SHEET 1	-	-	-



RECOMMENDED PC BOARD MOUNTING DIMENSIONS COMPONENT SIDE FOR 20, 40, 60, 68, 80, 100, 120, 140, 160, 180 & 200 POSITIONS ONLY



VERTICAL PLUG ASSEMBLY MATED TO VERTICAL RECEPTACLE ASSEMBLY

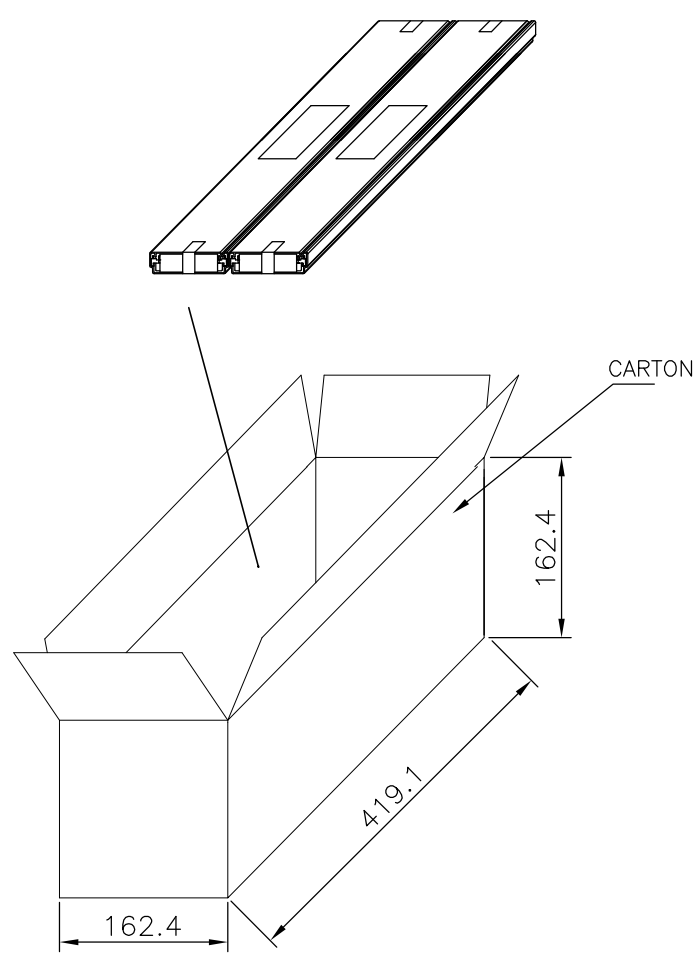
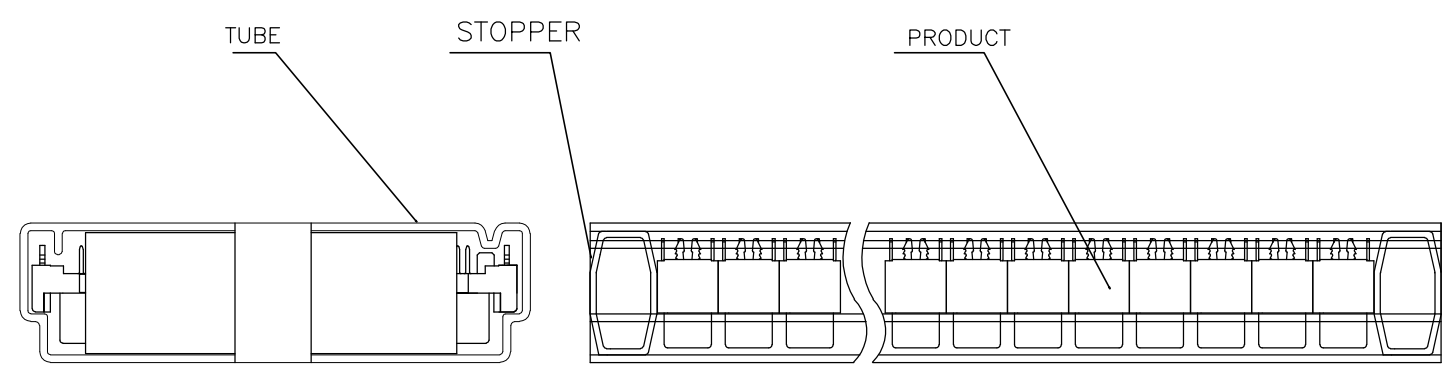


VERTICAL PLUG ASSEMBLY MATED TO RIGHT ANGLE RECEPTACLE ASSEMBLY

THIS DRAWING IS A CONTROLLED DOCUMENT.		DWN	-		
DIMENSIONS: mm		CHK	-		
TOLERANCES UNLESS OTHERWISE SPECIFIED:		APVD	-		
0 PLC ± -		PRODUCT SPEC	-		
1 PLC ± -		APPLICATION SPEC	-		
2 PLC ± -		WEIGHT	-		
3 PLC ± -		TE Connectivity			
4 PLC ± -		PLUG ASSEMBLY, VERTICAL BOARD-TO-BOARD, CHAMP .050, SERIES I			
ANGLES ± -		SIZE	CAGE CODE	DRAWING NO	RESTRICTED TO
FINISH		A3 00779		C=1734100	-
MATERIAL		CUSTOMER DRAWING		SCALE	SHEET 2 OF 4
				REV	D2

THIS DRAWING IS UNPUBLISHED. RELEASED FOR PUBLICATION
 © COPYRIGHT - By - ALL RIGHTS RESERVED.

LOC	DIST	REVISIONS				
P	LTR	DESCRIPTION	DATE	DWN	APVD	
	-	SEE SHEET 1	-	-	-	



	G.W./CARTON	N.W./CARTON	PCS/TUBE	TUBES/CARTON	QUANTITY/CARTON (PCS)	PART NUMBER	POS.
OBSOLETE	4.88	3.42	54	8	432	5-1734100-2 3-1734100-2 1-1734100-2	120
	7.70	5.58	54	16	864	5-1734100-0 3-1734100-0 1-1734100-0	100
	5.28	3.80	54	16	864	4-1734100-9 2-1734100-9 1734100-9	80
5.38	3.90	4-1734100-8 2-1734100-8 1734100-8					
OBSOLETE	4.76	3.37	54	16	864	4-1734100-7 2-1734100-7 1734100-7	68
	4.36	3.11	54	16	864	4-1734100-6 2-1734100-6 1734100-6	60
	5.72	4.08	54	24	1296	5-1734100-9 3-1734100-9 1-1734100-9	50
5.70	4.07	4-1734100-5 2-1734100-5 1734100-5					
OBSOLETE	4.77	3.50	54	24	1296	4-1734100-4 2-1734100-4 1734100-4	40
	4.46	3.03	54	24	1296	4-1734100-3 2-1734100-3 1734100-3	30

THIS DRAWING IS A CONTROLLED DOCUMENT.

DIMENSIONS: mm

TOLERANCES UNLESS OTHERWISE SPECIFIED:

0 PLC	± -
1 PLC	± -
2 PLC	± -
3 PLC	± -
4 PLC	± -
ANGLES	± -
FINISH	

MATERIAL

STE TE Connectivity

PLUG ASSEMBLY, VERTICAL BOARD-TO-BOARD, CHAMP .050, SERIES I

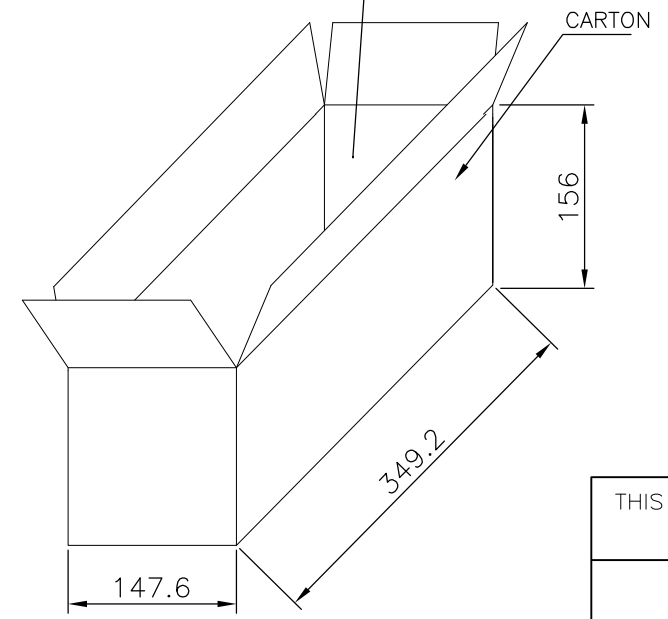
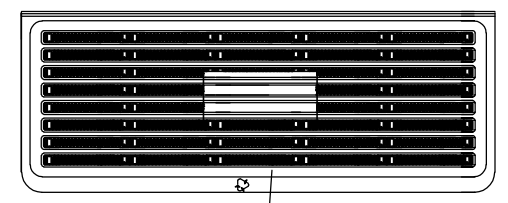
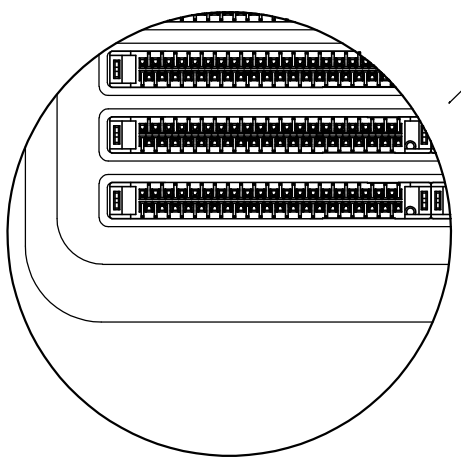
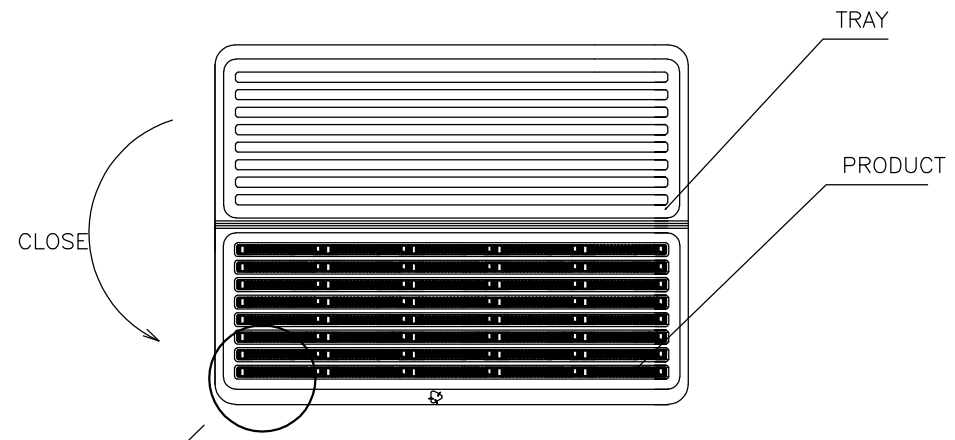
SIZE: A3 CAGE CODE: 00779 DRAWING NO: C-1734100 RESTRICTED TO: -

WEIGHT: -

CUSTOMER DRAWING SCALE: - SHEET: 3 OF 4 REV: D2

THIS DRAWING IS UNPUBLISHED. RELEASED FOR PUBLICATION
 © COPYRIGHT - By - ALL RIGHTS RESERVED.

LOC		DIST		REVISIONS				
P	LTR	DESCRIPTION			DATE	DWN	APVD	
	-	SEE SHEET 1			-	-	-	



D2 OBSOLETE	2.85	1.97	16	10	160	5-1734100-8	180
						3-1734100-8	
						1-1734100-8	
	2.62	1.73	16	10	160	5-1734100-6	160
						3-1734100-6	
						1-1734100-6	
	G.W./CARTON (KG)	N.W./CARTON (KG)	PCS/TRAY	TRAYS/CARTON	QUANTITY/CARTON (PCS)	PART NUMBER	POS.

THIS DRAWING IS A CONTROLLED DOCUMENT.

DIMENSIONS: mm	TOLERANCES UNLESS OTHERWISE SPECIFIED:	DWN	TE Connectivity			
0 PLC ± - 1 PLC ± - 2 PLC ± - 3 PLC ± - 4 PLC ± - ANGLES ± - FINISH	DWN - CHK - APVD - PRODUCT SPEC - APPLICATION SPEC - WEIGHT -	NAME				
MATERIAL		PLUG ASSEMBLY, VERTICAL BOARD-TO-BOARD, CHAMP .050, SERIES I				
		SIZE	CAGE CODE	DRAWING NO	RESTRICTED TO	
		A3	00779	C-1734100	-	
CUSTOMER DRAWING		SCALE	SHEET	REV		
		-	4 OF 4	D2		