



Chipsmall Limited consists of a professional team with an average of over 10 year of expertise in the distribution of electronic components. Based in Hongkong, we have already established firm and mutual-benefit business relationships with customers from,Europe,America and south Asia,supplying obsolete and hard-to-find components to meet their specific needs.

With the principle of “Quality Parts,Customers Priority,Honest Operation,and Considerate Service”,our business mainly focus on the distribution of electronic components. Line cards we deal with include Microchip,ALPS,ROHM,Xilinx,Pulse,ON,Everlight and Freescale. Main products comprise IC,Modules,Potentiometer,IC Socket,Relay,Connector.Our parts cover such applications as commercial,industrial, and automotives areas.

We are looking forward to setting up business relationship with you and hope to provide you with the best service and solution. Let us make a better world for our industry!



Contact us

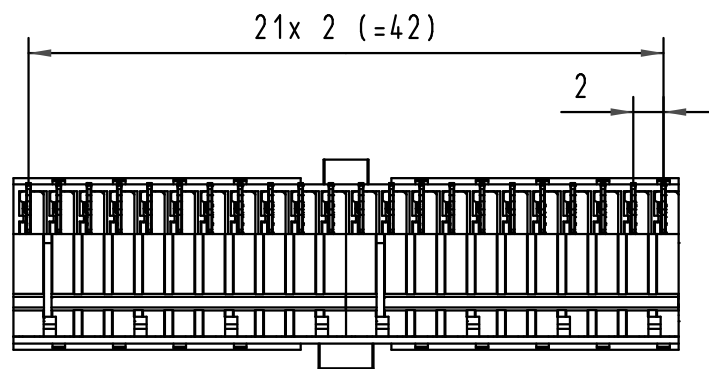
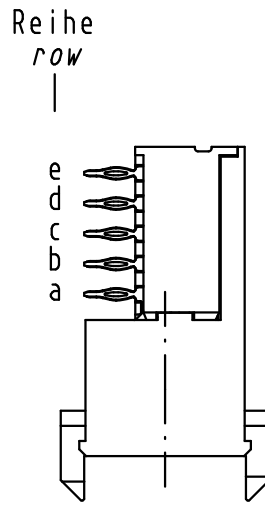
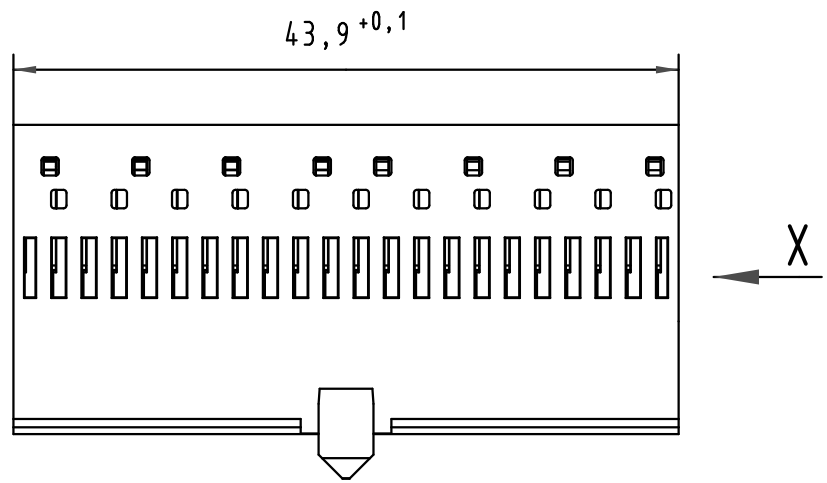
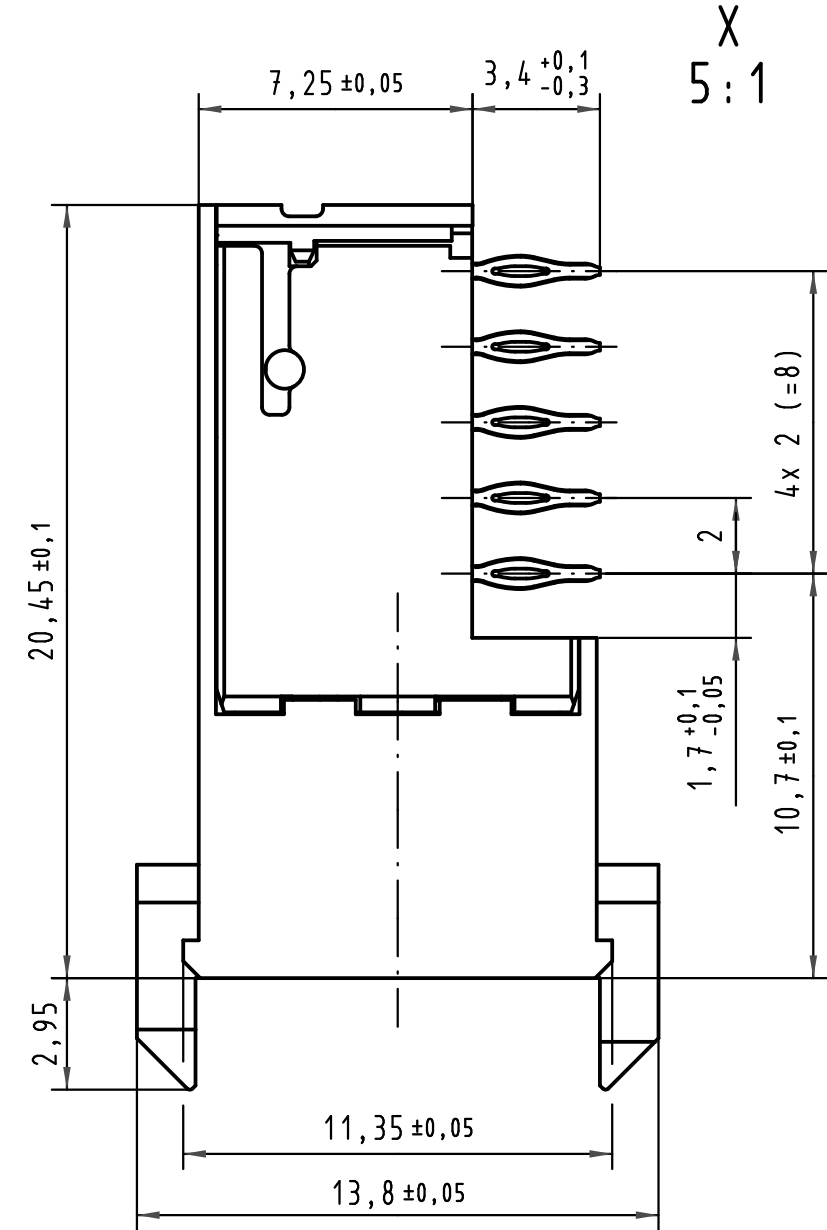
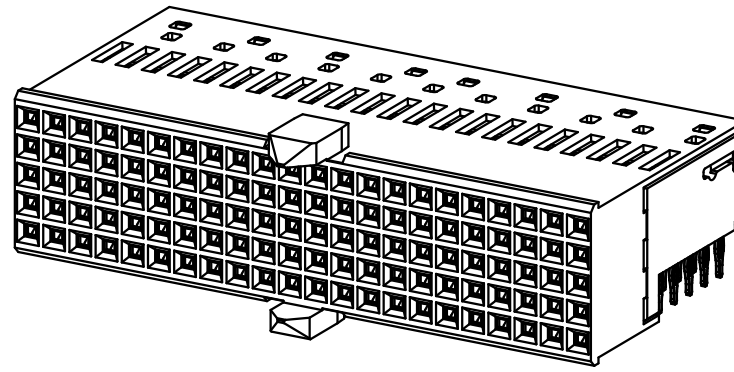
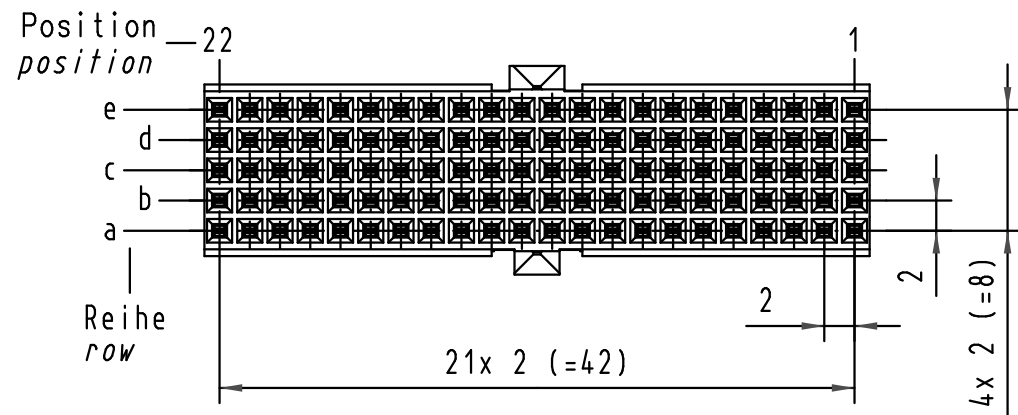
Tel: +86-755-8981 8866 Fax: +86-755-8427 6832

Email & Skype: info@chipsmall.com Web: www.chipsmall.com

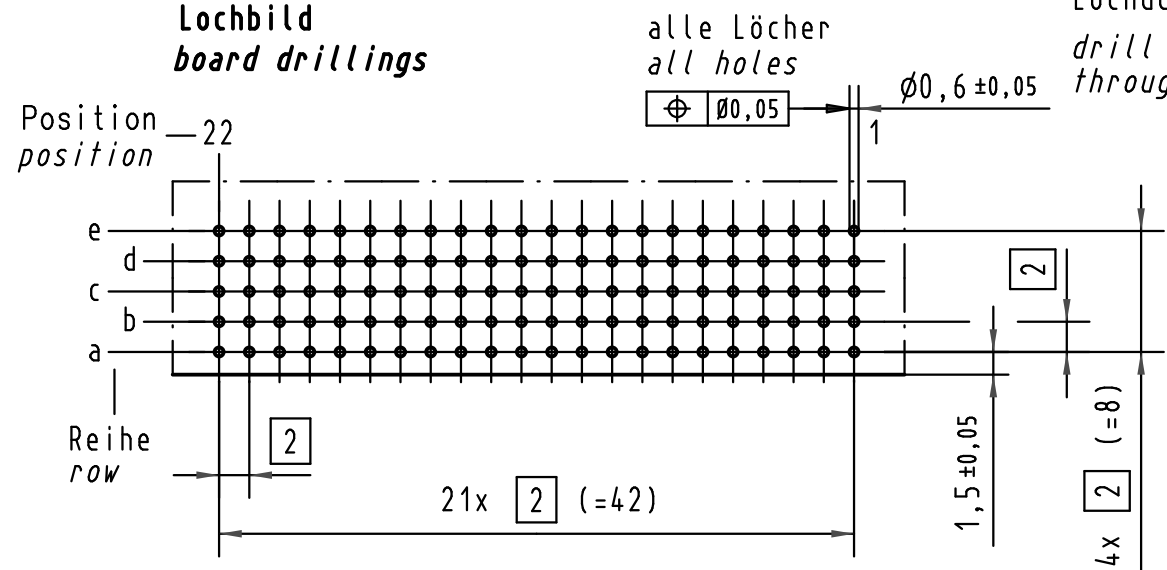
Address: A1208, Overseas Decoration Building, #122 Zhenhua RD., Futian, Shenzhen, China



Alle Rechte vorbehalten/ All rights reserved



**Lochbild
board drillings**



alle Löcher
all holes
Ø 0,6 ± 0,05

Bohrlochdurchmesser: $\varnothing 0,7 \pm 0,02$ mm
 Lochdurchmesser (mit Oberfläche): $\varnothing 0,6 \pm 0,05$ mm
 drill hole dia.: $\varnothing 0,7 \pm 0,02$ mm
 through hole dia. (after plating): $\varnothing 0,6 \pm 0,05$ mm

| | | |
|-------------------------|---|--|
| 17 34 110 4101 | — | min. 0,76 μ m (30 μ m) Au über/over min. 1,27 μ m (50 μ m) Ni |
| 17 34 110 2101 | 2 | Au über/over Ni |
| 17 34 110 1101 | 1 | Au über/over Ni |
| Bestell-Nr. part-no. | Anforderungsstufe nach IEC performance level acc. to IEC | Kontaktoberfläche contact plating |

| | | | | | | | | |
|----------------------|--|--|--|--|------|--|--|---------------------------|
| | | | Techn. Character. | | | Nicht tolerierte Maß/Free size tolerances IEC 61076-4-101 | | |
| | | | Dat. | | Name | | Maßstab/Scale | |
| | | | Detail. 01.06.01 | | Hm | | 2:1 | |
| | | | Insp. 01.06.01 | | Ko | | 5:1 | |
| 34650 04.02.08 Hage. | | | Stand. | | | | har-bus HM Federleiste, Typ AB-22, 110 pol. har-bus HM female connector, type AB-22, 110 pol. | |
| 30073 06.08.01 Wi | | | | | | | | |
| 27619 | | | | | | | | |
| Mod. Dat. Name | | | HARTING Electronics GmbH & Co. KG D-32339 ESPELKAMP | | | | | TB 17 34 110 x101 Sub. |