



Chipsmall Limited consists of a professional team with an average of over 10 year of expertise in the distribution of electronic components. Based in Hongkong, we have already established firm and mutual-benefit business relationships with customers from,Europe,America and south Asia,supplying obsolete and hard-to-find components to meet their specific needs.

With the principle of “Quality Parts,Customers Priority,Honest Operation,and Considerate Service”,our business mainly focus on the distribution of electronic components. Line cards we deal with include Microchip,ALPS,ROHM,Xilinx,Pulse,ON,Everlight and Freescale. Main products comprise IC,Modules,Potentiometer,IC Socket,Relay,Connector.Our parts cover such applications as commercial,industrial, and automotives areas.

We are looking forward to setting up business relationship with you and hope to provide you with the best service and solution. Let us make a better world for our industry!



Contact us

Tel: +86-755-8981 8866 Fax: +86-755-8427 6832

Email & Skype: info@chipsmall.com Web: www.chipsmall.com

Address: A1208, Overseas Decoration Building, #122 Zhenhua RD., Futian, Shenzhen, China



4

3

2

1

THIS DRAWING IS UNPUBLISHED.

RELEASED FOR PUBLICATION

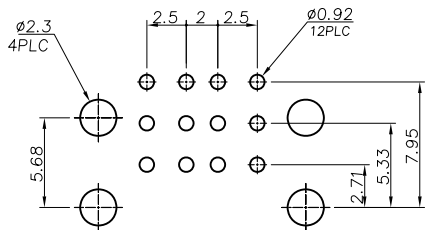
AUG 2006 .

© COPYRIGHT BY TYCO ELECTRONICS CORPORATION. ALL RIGHTS RESERVED.

LOC DW DIST

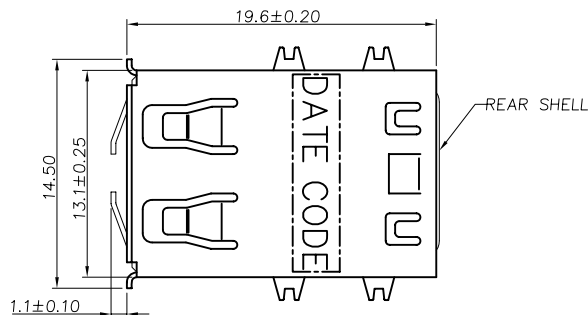
REVISIONS

P	LTR	DESCRIPTION	DATE	DWN	APVD
B3		REVISED (ECR-11-011518)	02JUN11	SC	WK



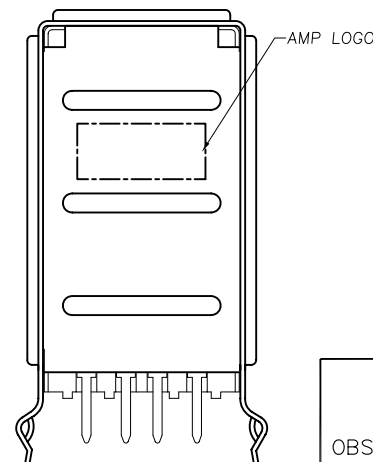
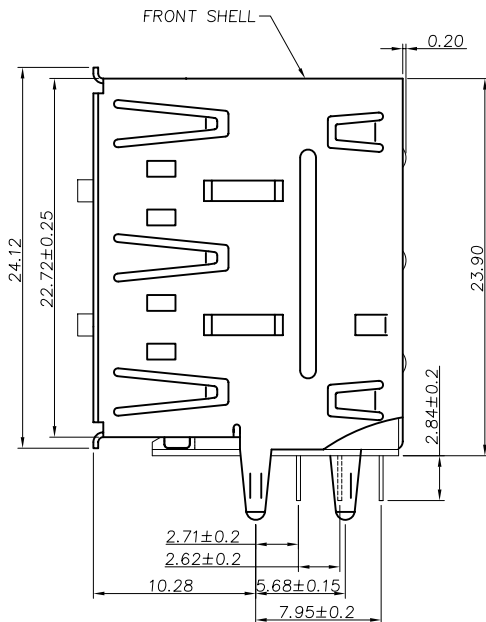
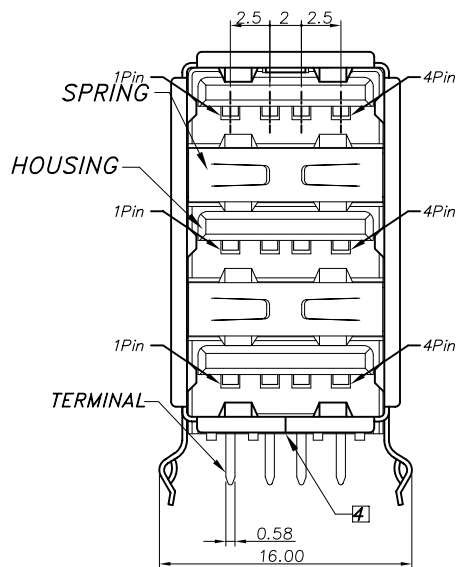
RECOMMENDED PCB LAYOUT

PCB TOLERANCE : ±0.05



NOTES :

- MATERIAL :
HOUSING : THERMOPLASTIC, UL 94V-0, COLOR: SEE TABLE.
CONTACT : PHOSPHOR BRONZE, (t=0.25mm).
FRONT SHELL & SPRING : BRASS, (t=0.30mm).
REAR SHELL : SPCC (t=0.30mm).
- FINISH :
CONTACT : GOLD PLATED(SEE TABLE) ON CONTACT AREA, 100u" MIN. TIN PLATED ON SOLDER TAILS, 50u" MIN. NICKEL UNDERPLATED ALL OVER.
FRONT SHELL: 40u" MIN. NICKEL PLATED OVER 50u" MIN. CU UNDERPLATED ALL OVER.
REAR SHELL: 100u" MIN. NICKEL PLATED OVER 100u" MIN. CU UNDERPLATED ALL OVER.
- TOLERANCE : ±0.30mm.
[A] GAP.0.25mm(MAX.)

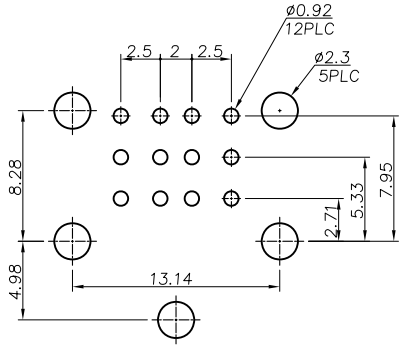


OBSOLETE	30µ"	BLACK	1734181-6
	30µ"	WHITE	1734181-5
	5µ"	BLACK	1734181-4
		WHITE	1734181-3
	GOLD FLASH	BLACK	1734181-2
WHITE		1734181-1	
	MIN. GOLD THICKNESS	HSG. COLOR	PART NUMBER

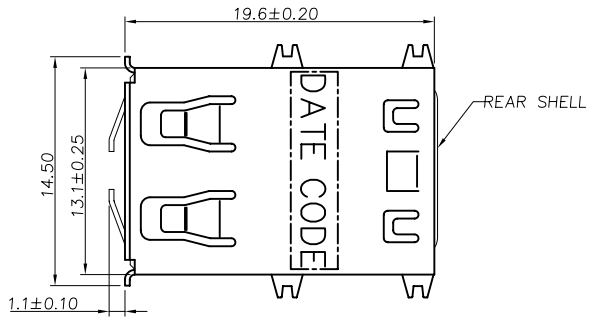
THIS DRAWING IS A CONTROLLED DOCUMENT.

DIMENSIONS: MM	TOLERANCES UNLESS OTHERWISE SPECIFIED:	DWN S. CHIEN 14APR2009	TE Connectivity
	0 PLC ± 0.3 1 PLC ± 0.3 2 PLC ± 0.3 3 PLC ± 4 PLC ± ANGLES ± 3°	CHK S. CHIEN 14APR2009 APVD W. KODAMA 14APR2009	
MATERIAL	FINISH	PRODUCT SPEC	RCPT. ASS'Y TRIPLE STACKED USB, R/A, A TYPE.
SEE NOTE	SEE NOTE	108-57113	RESTRICTED TO
		QUALIFICATION TEST REPORT	SIZE CAGE CODE DRAWING NO
		501-57061	A300779 C=1734181
		WEIGHT - GRAMS	SCALE SHEET 1 of 3 REV B3
		CUSTOMER DRAWING	

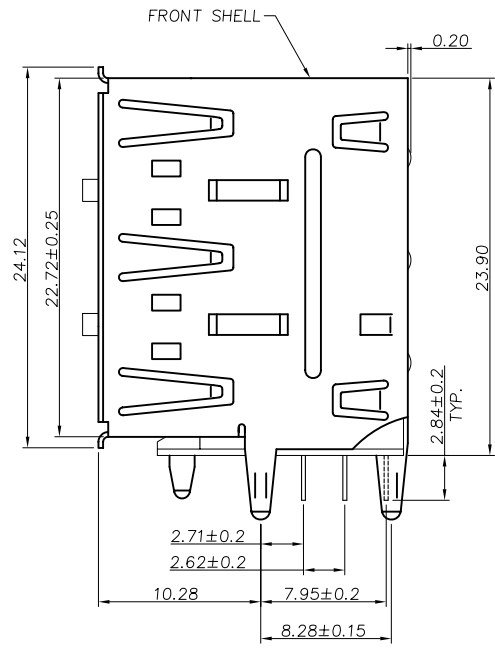
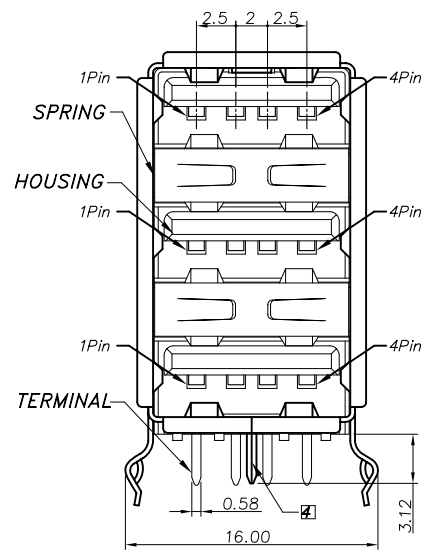
LOC		DIST		REVISIONS			
P	LTR	DESCRIPTION	DATE	DWN	APVD		
DW				SEE SHEET 1.			



RECOMMENDED PCB LAYOUT
PCB TOLERANCE : ±0.05



- NOTES :
- MATERIAL :
HOUSING : THERMOPLASTIC, UL 94V-0, COLOR: SEE TABLE.
CONTACT : PHOSPHOR BRONZE, (t=0.25mm).
FRONT SHELL & SPRING : BRASS, (t=0.30mm).
REAR SHELL : SPCC (t=0.30mm).
 - FINISH :
CONTACT : GOLD PLATED(SEE TABLE) ON CONTACT AREA, 100u" MIN. TIN PLATED ON SOLDERTAILS, 50u" MIN. NICKEL UNDERPLATED ALL OVER.
FRONT SHELL: 40u" MIN. NICKEL PLATED OVER 50u" MIN. CU UNDERPLATED ALL OVER.
REAR SHELL: 100u" MIN. NICKEL PLATED OVER 100u" MIN. CU UNDERPLATED ALL OVER.
 - TOLERANCE : ±0.30mm.
4. GAP.0.25mm(MAX.)



OBSOLETE	30μ"	BLACK	1-1734181-2
		WHITE	1-1734181-1
	5μ"	BLACK	1-1734181-0
		WHITE	1734181-9
	GOLD FLASH	BLACK	1734181-8
		WHITE	1734181-7
MIN. GOLD THICKNESS	HSG. COLOR	PART NUMBER	

THIS DRAWING IS A CONTROLLED DOCUMENT.

DIMENSIONS: MM	TOLERANCES UNLESS OTHERWISE SPECIFIED:	DWN	CHK	APVD	NAME
0 PLC ± -	1 PLC ± -	PRODUCT SPEC	RCPT. ASS'Y TRIPLE STACKED USB, R/A, A TYPE.		
2 PLC ± -	3 PLC ± -	APPLICATION SPEC	SIZE	CAGE CODE	DRAWING NO
4 PLC ± -	ANGLES ± -	WEIGHT	A3	00779	C=1734181
MATERIAL	FINISH	CUSTOMER DRAWING	SCALE	SHEET	REV
				2 of 3	B3

TE Connectivity

THIS DRAWING IS UNPUBLISHED. RELEASED FOR PUBLICATION AUG 2006 .

© COPYRIGHT BY TYCO ELECTRONICS CORPORATION. ALL RIGHTS RESERVED.

LOC	DIST	REVISIONS					
DW		P	LTR	DESCRIPTION	DATE	DWN	APVD
				SEE SHEET 1.			

D

D

C

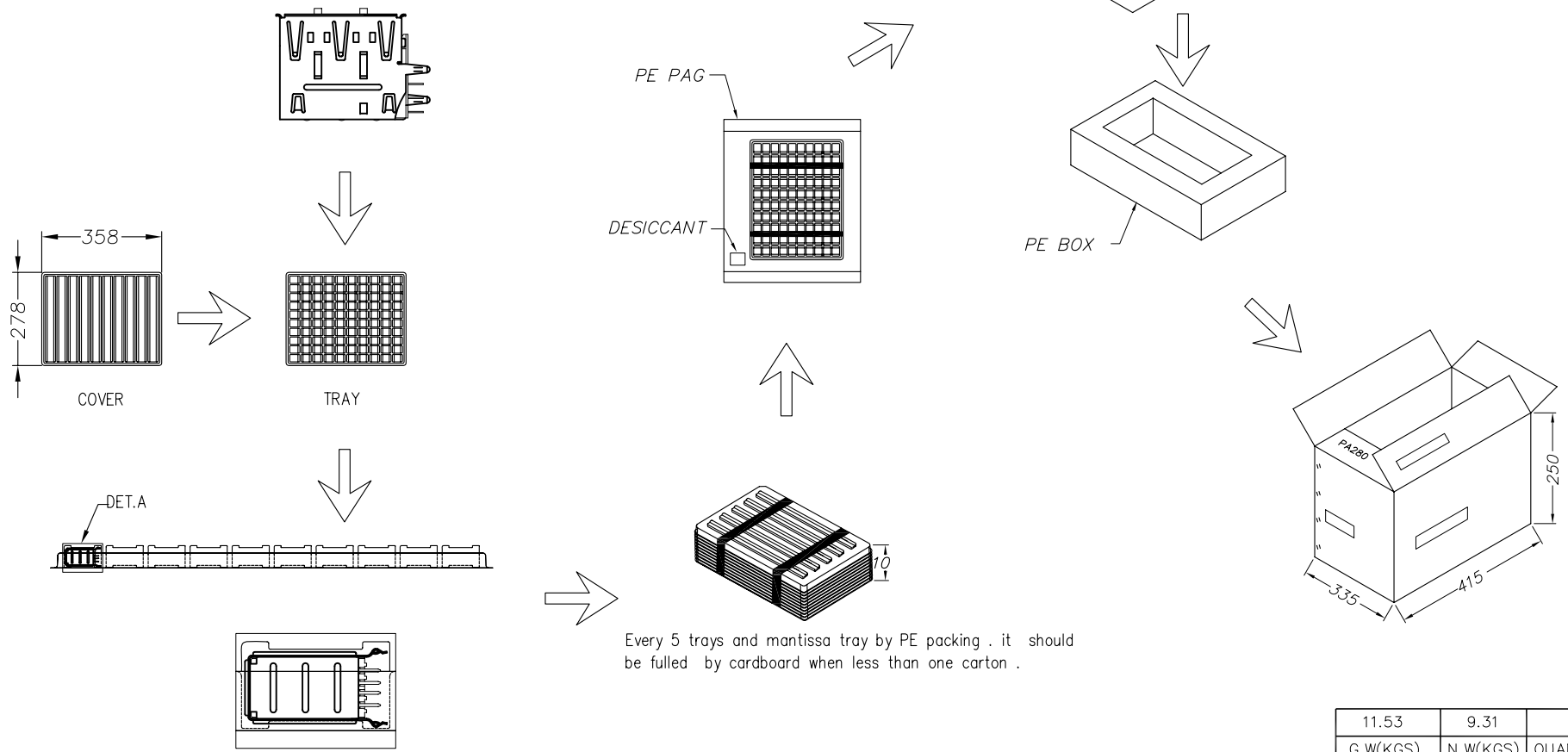
C

B

B

A

A



Every 5 trays and mantissa tray by PE packing . it should be fuled by cardboard when less than one carton .

11.53	9.31	1000	100
G.W(KGS)	N.W(KGS)	QUANTITY/BOX	PCS/TRAY

THIS DRAWING IS A CONTROLLED DOCUMENT.

DIMENSIONS: MM	TOLERANCES UNLESS OTHERWISE SPECIFIED: 0 PLC ± - 1 PLC ± - 2 PLC ± - 3 PLC ± - 4 PLC ± - ANGLES ± -	DWN	CHK	APVD	NAME
MATERIAL	FINISH	PRODUCT SPEC	APPLICATION SPEC	WEIGHT	SIZE
					CAGE CODE
					DRAWING NO
					RESTRICTED TO
					SCALE
					SHEET
					REV

STE TE Connectivity

RCPT. ASS'Y TRIPLE STACKED USB, R/A, A TYPE.

A3 00779 C=1734181

CUSTOMER DRAWING

3 of 3

REV B3