



Chipsmall Limited consists of a professional team with an average of over 10 year of expertise in the distribution of electronic components. Based in Hongkong, we have already established firm and mutual-benefit business relationships with customers from,Europe,America and south Asia,supplying obsolete and hard-to-find components to meet their specific needs.

With the principle of “Quality Parts,Customers Priority,Honest Operation,and Considerate Service”,our business mainly focus on the distribution of electronic components. Line cards we deal with include Microchip,ALPS,ROHM,Xilinx,Pulse,ON,Everlight and Freescale. Main products comprise IC,Modules,Potentiometer,IC Socket,Relay,Connector.Our parts cover such applications as commercial,industrial, and automotives areas.

We are looking forward to setting up business relationship with you and hope to provide you with the best service and solution. Let us make a better world for our industry!



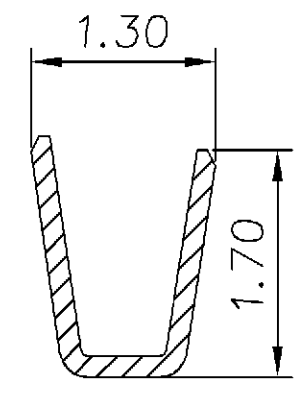
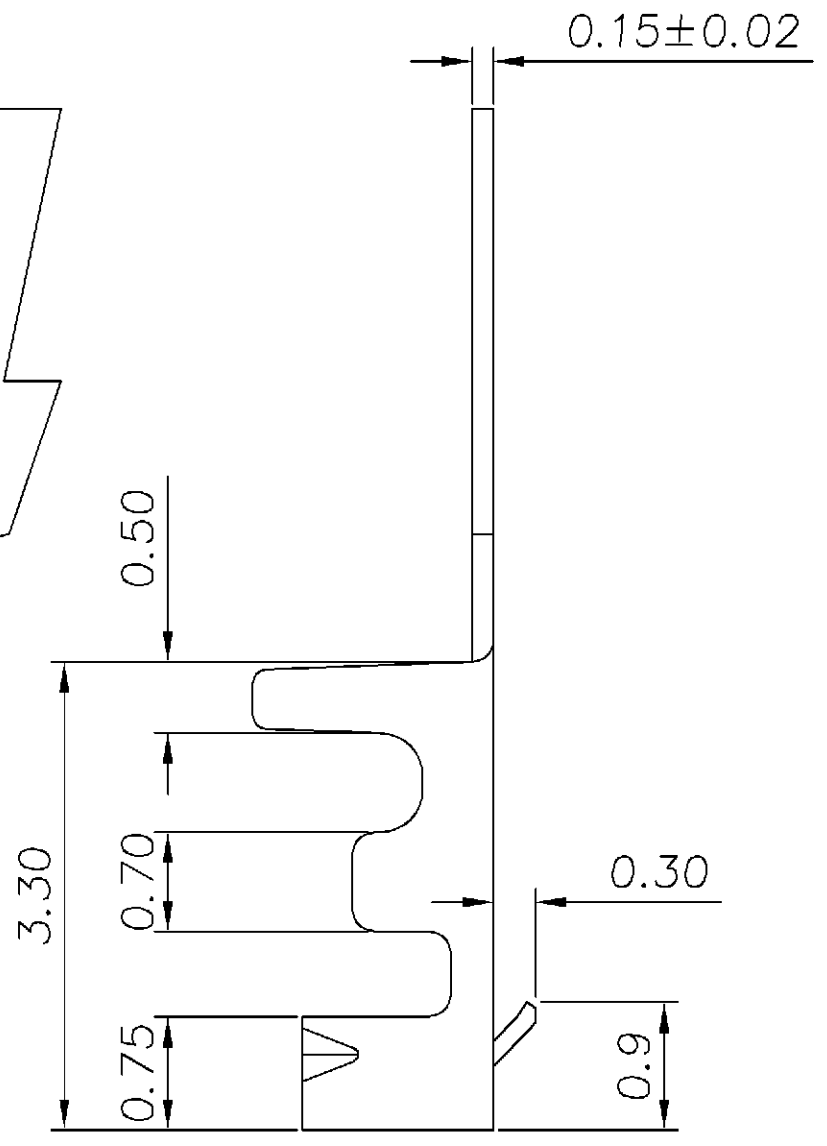
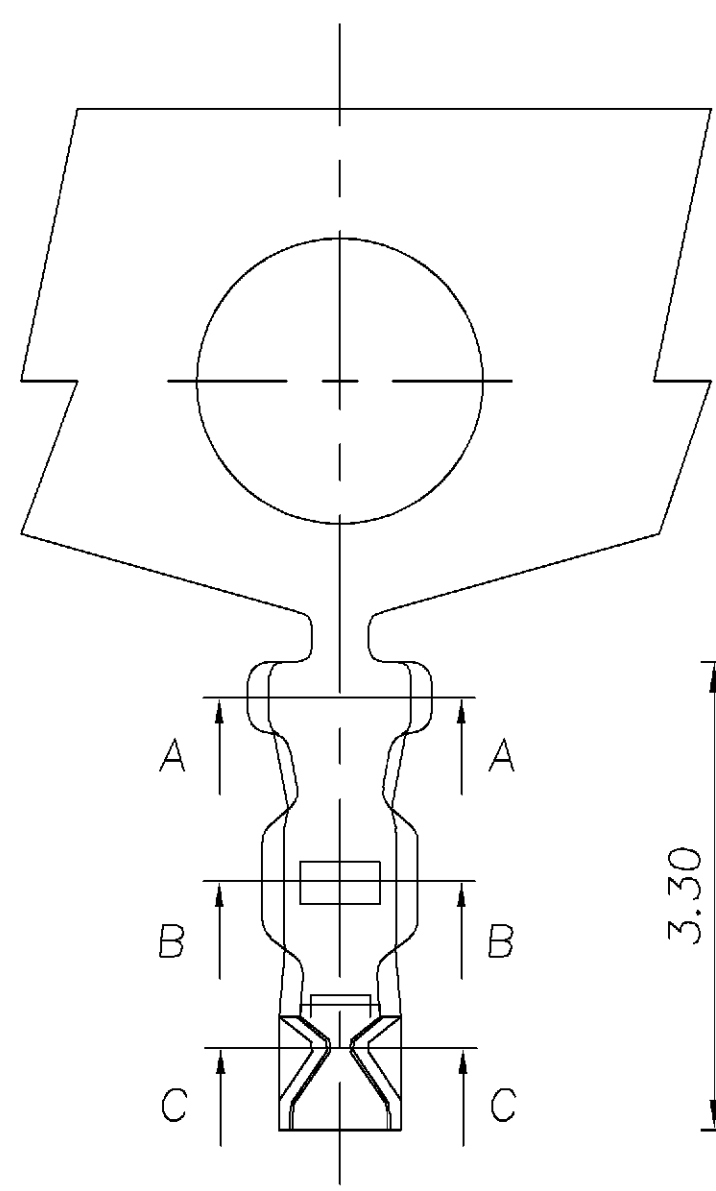
Contact us

Tel: +86-755-8981 8866 Fax: +86-755-8427 6832

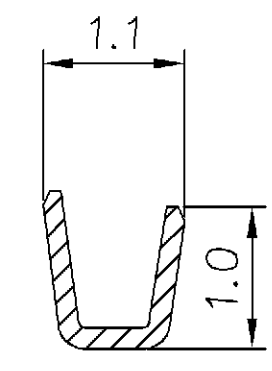
Email & Skype: info@chipsmall.com Web: www.chipsmall.com

Address: A1208, Overseas Decoration Building, #122 Zhenhua RD., Futian, Shenzhen, China

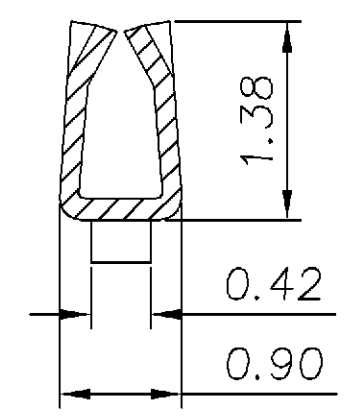




SEC A-A



SEC B-B



SEC C-C

NOTE:

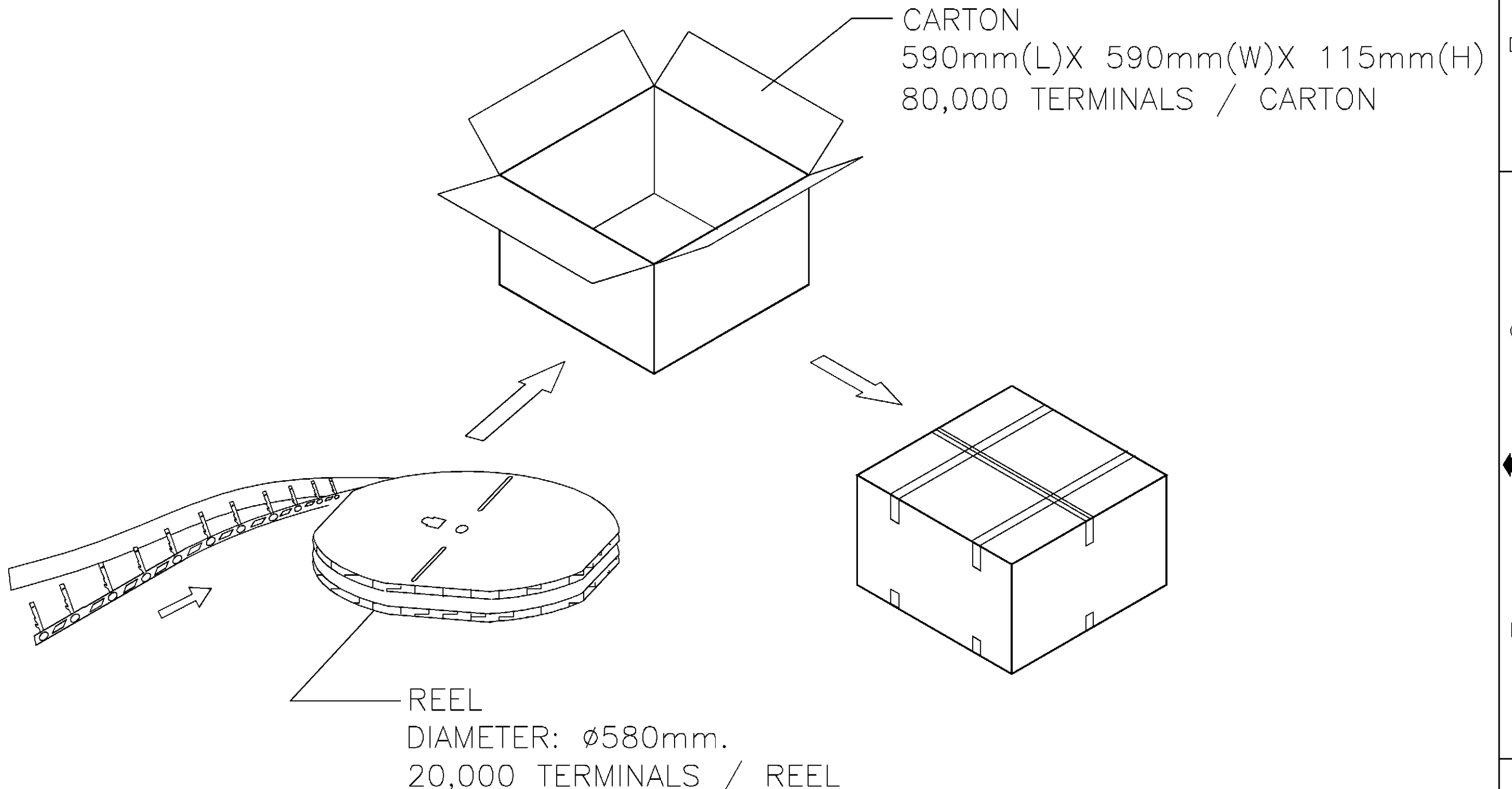
1. MATERIAL:
 TERMINAL: PHOSPHOR BRONZE, THICKNESS=0.2mm.
2. FINISH:
 TERMINAL: 2.0um MIN. TIN(MATTE) PLATE OVER 0.75um MIN. NICKEL UNDERPLATE OVER ALL.
3. APPLY HOUSING PART NO: X-440146-X.
4. APPLICATION SPECIFICATION: 114-57016.
5. APPLICABLE WIRE RANGE: AWG #28-#32.

1734193-1

PART NUMBER

TOLERANCES UNLESS OTHERWISE SPECIFIED: 0 PLC ± 1 PLC ±0.15 2 PLC ±0.10 3 PLC ±0.05 ANGLES ±3°	DWN	O. HU		
		05-JUL-2004		
MATERIAL SEE NOTE	CHK	S. HOU	NAME WIRE TO BOARD SOCKET, TERMINAL	
		05-JUL-2004		
FINISH SEE NOTE	APVD	T. KE	LOC SIZE DRAWING NO REV DW A ₃ C-1734193 P	
		05-JUL-2004		
	PRODUCT SPEC		SCALE SHEET -- 1 OF 2	
	108-57225			
	QUALIFICATION TEST REPORT			
	501-57229			
	WEIGHT			

P	REVISION RECORD	REVISD PER ECO-11-005301	RK HMR	5APR11
LTR		ECO	DWN CHK	DATE



TOLERANCES UNLESS OTHERWISE SPECIFIED: 0 PLC ± 1 PLC ±0.15 2 PLC ±0.10 3 PLC ±0.05 ANGLES ±3'	DWN	O. HU	TE Connectivity	
		05-JUL-2004		
MATERIAL SEE NOTE	CHK	S. HOU	NAME WIRE TO BOARD SOCKET, TERMINAL	
		05-JUL-2004		
FINISH SEE NOTE	APVD	T. KE	LOC	SIZE
		05-JUL-2004	DW	A ₃
	PRODUCT SPEC	QUALIFICATION TEST REPORT	DRAWING NO	REV
	WEIGHT		C-1734193	P
			SCALE	SHEET
			--	2 OF 2

LTR	REVISION RECORD	SEE SHEET 1.	ECO	DWN	CHK	DATE
-----	-----------------	--------------	-----	-----	-----	------