



Chipsmall Limited consists of a professional team with an average of over 10 year of expertise in the distribution of electronic components. Based in Hongkong, we have already established firm and mutual-benefit business relationships with customers from,Europe,America and south Asia,supplying obsolete and hard-to-find components to meet their specific needs.

With the principle of “Quality Parts,Customers Priority,Honest Operation,and Considerate Service”,our business mainly focus on the distribution of electronic components. Line cards we deal with include Microchip,ALPS,ROHM,Xilinx,Pulse,ON,Everlight and Freescale. Main products comprise IC,Modules,Potentiometer,IC Socket,Relay,Connector.Our parts cover such applications as commercial,industrial, and automotives areas.

We are looking forward to setting up business relationship with you and hope to provide you with the best service and solution. Let us make a better world for our industry!



Contact us

Tel: +86-755-8981 8866 Fax: +86-755-8427 6832

Email & Skype: info@chipsmall.com Web: www.chipsmall.com

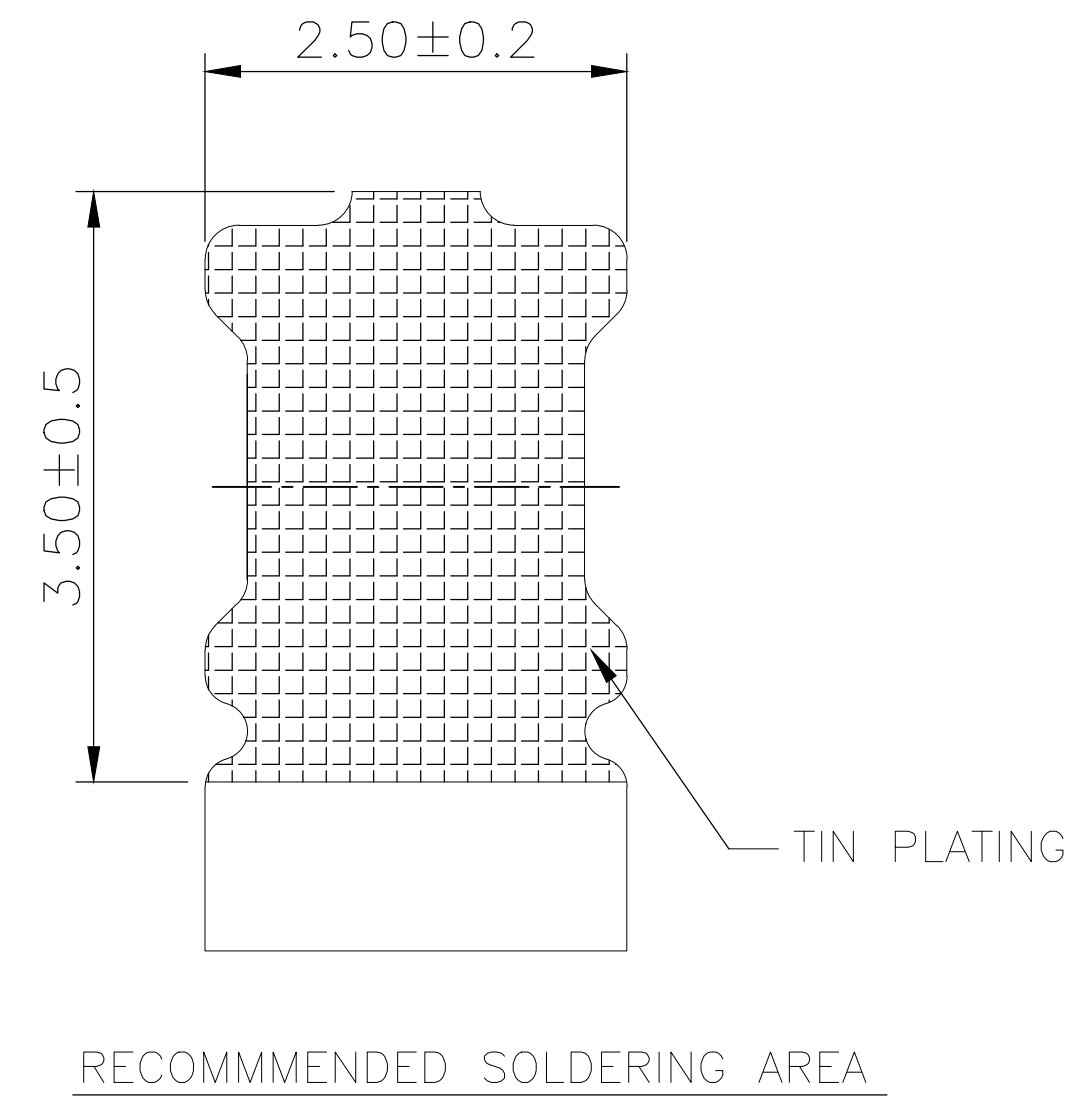
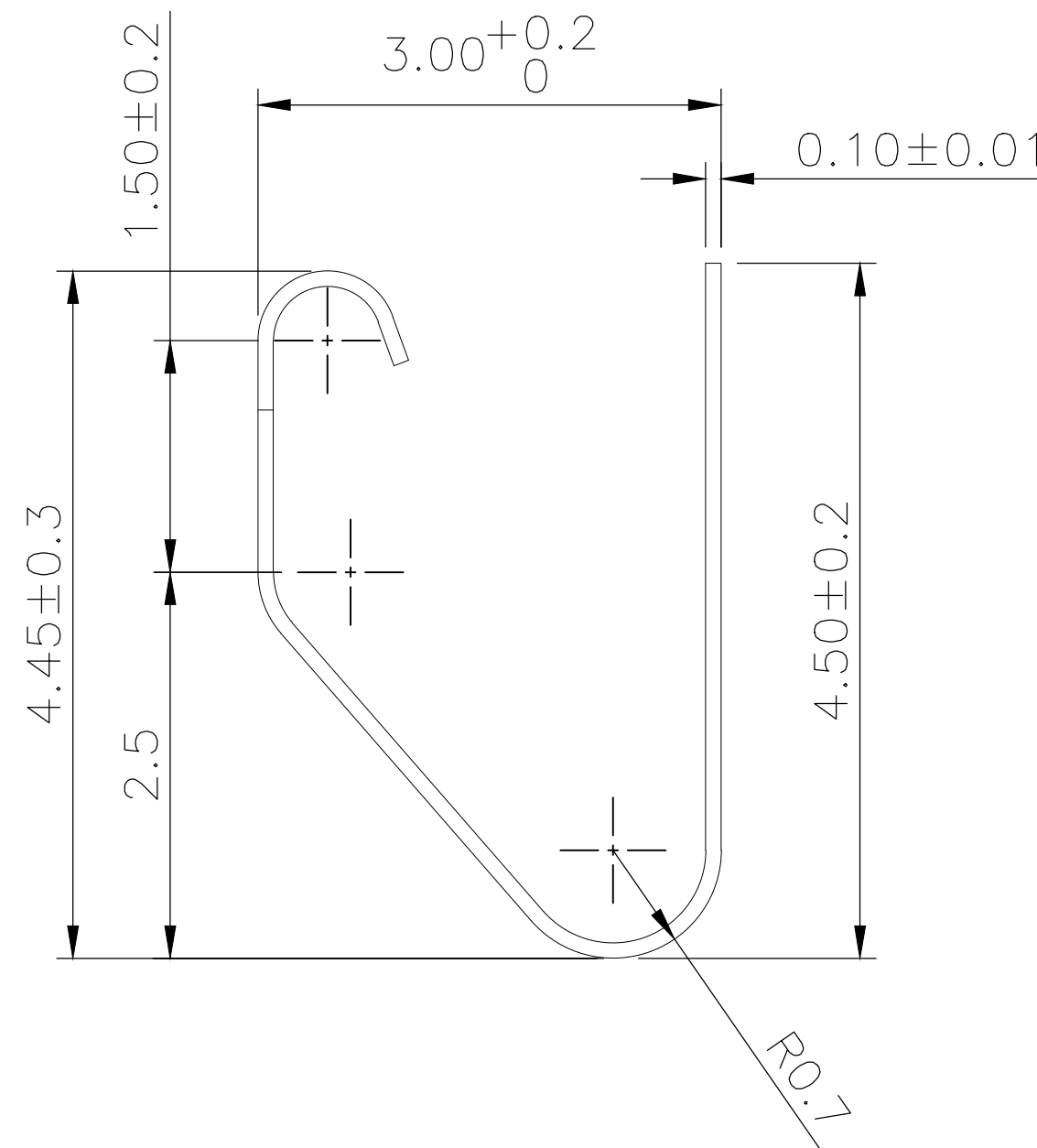
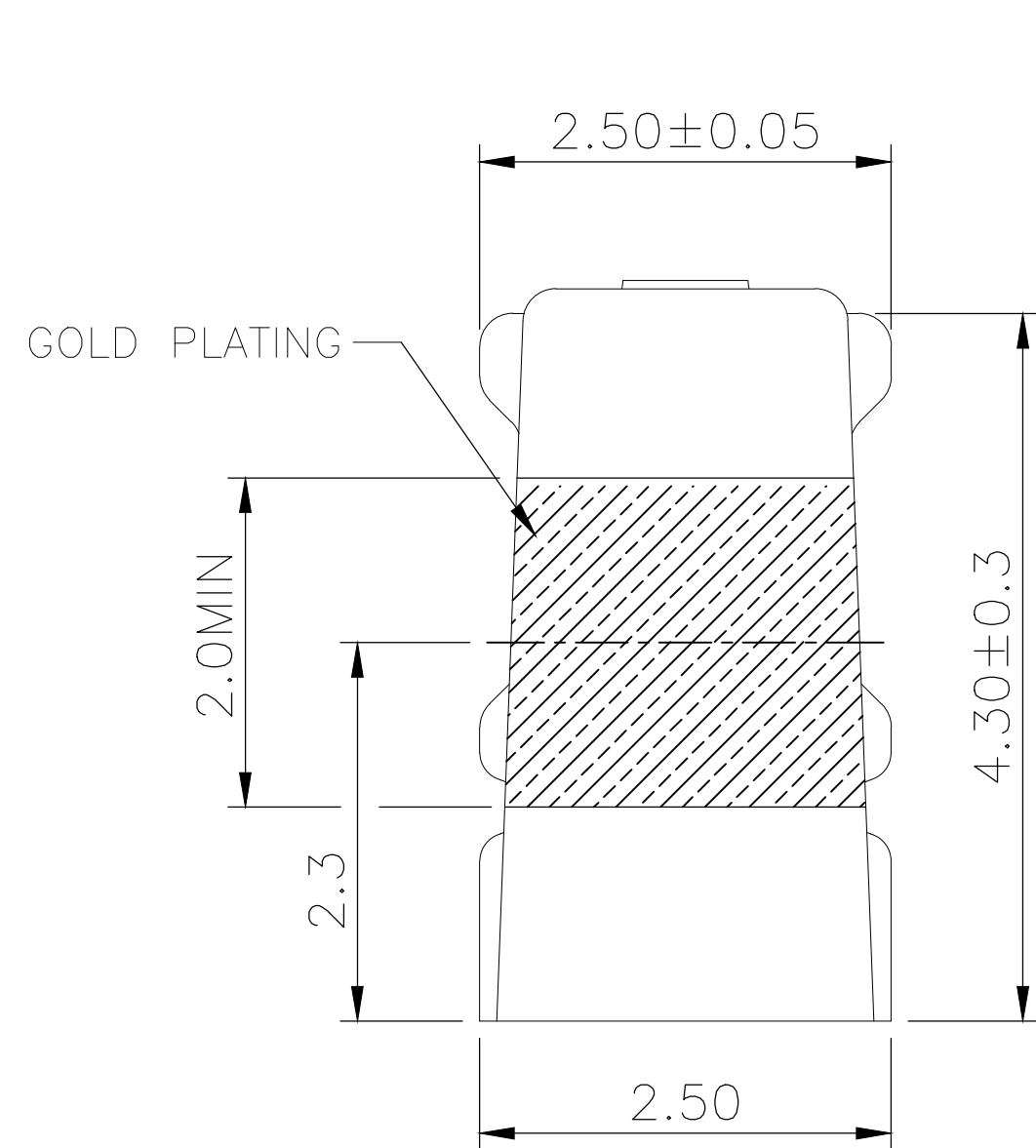
Address: A1208, Overseas Decoration Building, #122 Zhenhua RD., Futian, Shenzhen, China



THIS DRAWING IS UNPUBLISHED. RELEASED FOR PUBLICATION
 © COPYRIGHT 2011 BY TYCO ELECTRONICS CORPORATION. ALL RIGHTS RESERVED.

LOC		DIST		REVISIONS			
P	LTR	DESCRIPTION		DATE	DWN	APVD	
	B1	RELEASED ECR-16-010532		21JAN2016	J.J	W.H	

- NOTES:
 1. MATERIAL: TI-CU, T=0.10±0.01
 2. FINISH:
 CONTACT: GOLD PLATING ON THE CONTACT (SEE TABLE)
 100u' MIN TIN PLATING ON THE SOLDERING AREA
 NICKEL UNDER PLATING OVERALL (SEE TABLE)



50u"	10u"	1734300-3
30u"	10u"	1734300-2
30u"	2u"	1734300-1
Ni (Min.)	Au (Min.)	PART NUMBER

THIS DRAWING IS A CONTROLLED DOCUMENT.		DWN Q. LU 26DEC2004	STE TE Connectivity		
DIMENSIONS: mm		CHK S. HSU 26DEC2004			
TOLERANCES UNLESS OTHERWISE SPECIFIED: 0 PLC ± - 1 PLC ± 0.3 2 PLC ± 0.15 3 PLC ± 0.03 4 PLC ± - ANGLES ± 3°		APVD W.J. KE 26DEC2004	NAME SHIELD FINGER 3025-Z1-T		
MATERIAL SEE NOTE		PRODUCT SPEC 108-57507	SIZE A3	CAGE CODE 00779	DRAWING NO C=1734300
FINISH SEE NOTE		QUALIFICATION TEST REPORT 501-57581	RESTRICTED TO	SCALE -	
		WEIGHT 0.021 GRAMS	SHEET 1 OF 2		REV B1
		CUSTOMER DRAWING			

THIS DRAWING IS UNPUBLISHED.

RELEASED FOR PUBLICATION AUG 2006

© COPYRIGHT - BY TYCO ELECTRONICS CORPORATION. ALL RIGHTS RESERVED.

LOC

DIST

REVISIONS

DW

P

LTR

DESCRIPTION

DATE

DWN

APVD

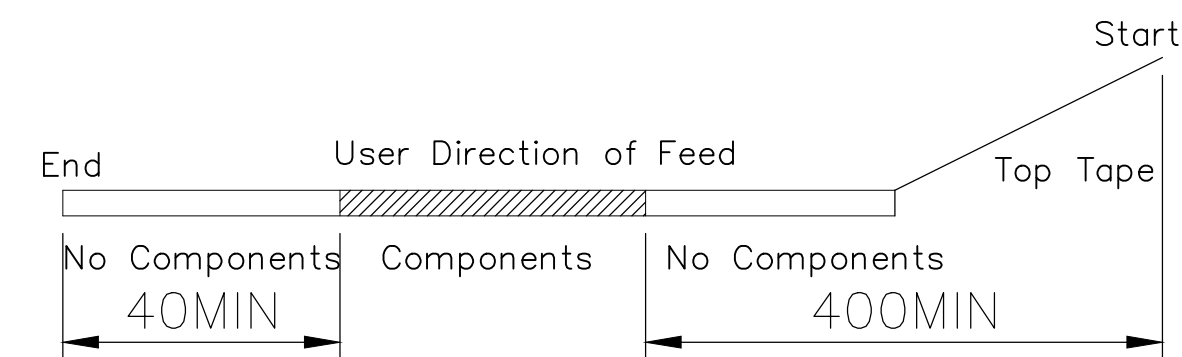
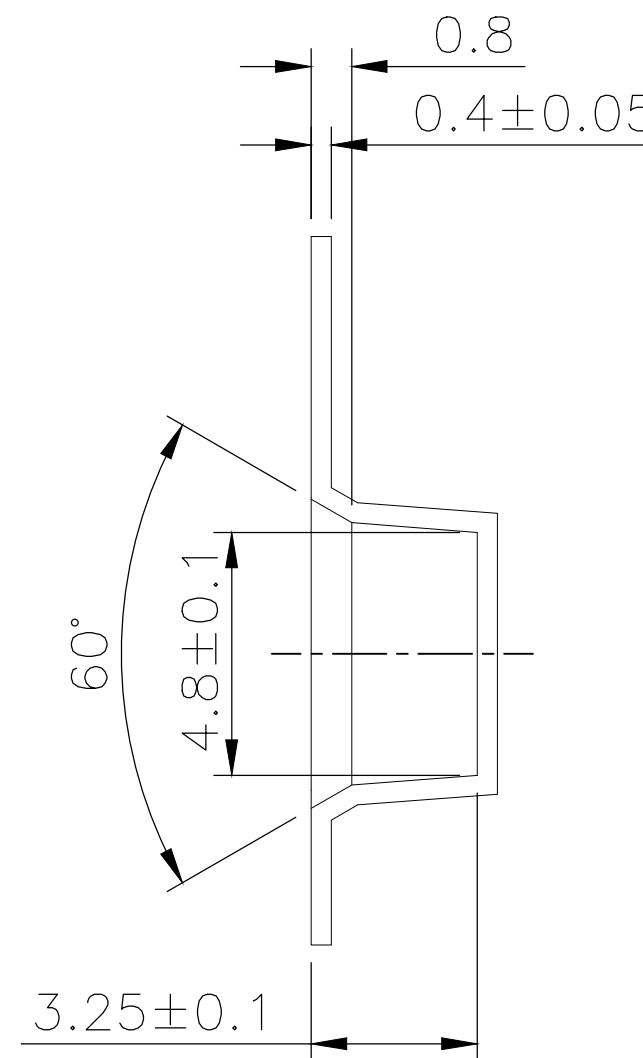
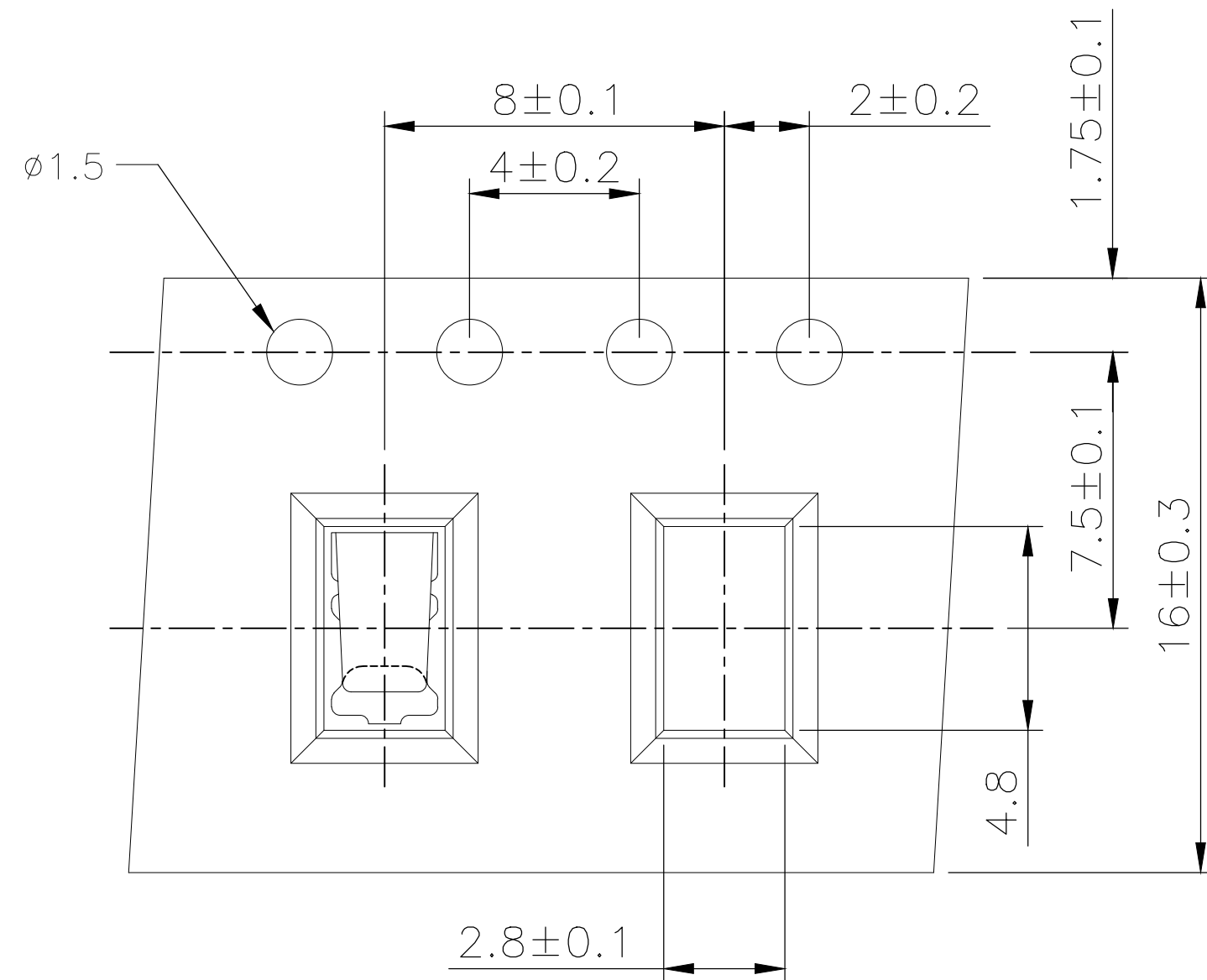
SEE SHEET 1.

NOTES:

- 1. QUANTITY:
2500 PCS/REEL
10 REEL/SHIPPING BOX MAX.
- 2. DIMENSION:
BOX DIM: 340mm*340mm*224mm
- 3. MATERIAL:
CARRIER TAPE: ACRYLIC FILM
TOP TAPE: PET FILM
REEL: PLASTIC
- 4. WEIGHT:
NET WEIGHT: 3.3kg
GROSS WEIGHT: 4.8kg

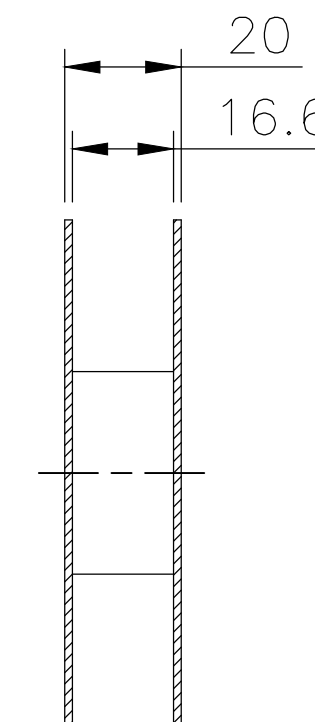
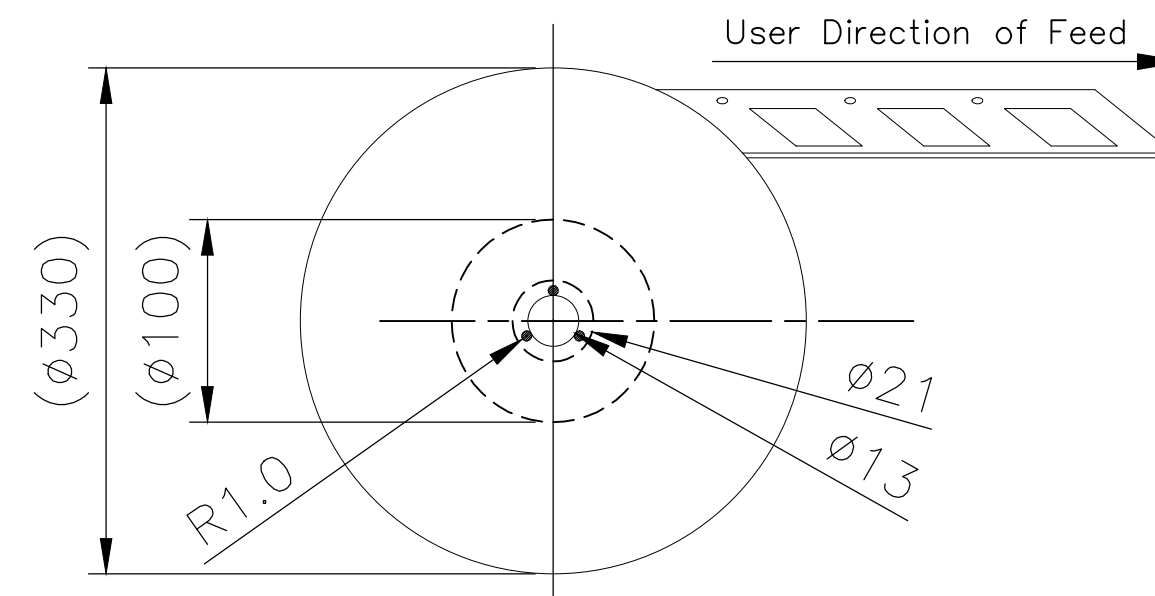
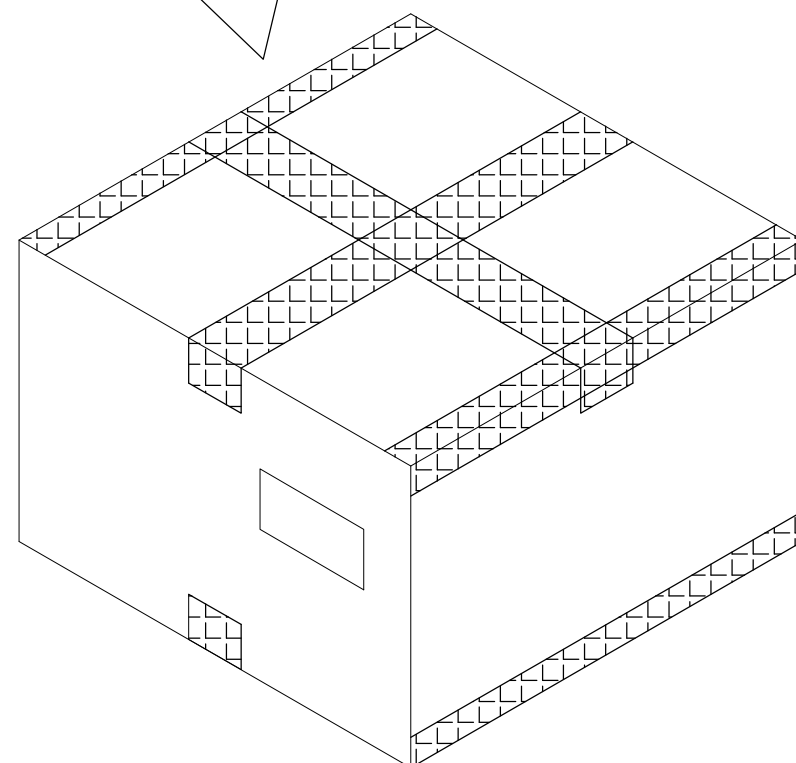
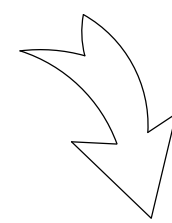
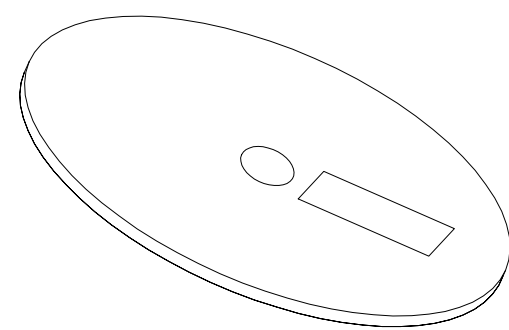
D

D



C

C



B

B

A

A

THIS DRAWING IS A CONTROLLED DOCUMENT		DWN	TE Connectivity	
DIMENSIONS: MM		CHK	NAME	
TOLERANCES UNLESS OTHERWISE SPECIFIED:		APVD	SHIELD FINGER 3025-Z1-T	
0 PLC ± -		PRODUCT SPEC	SIZE	CAGE CODE
1 PLC ± 0.12		APPLICATION SPEC	A3	00779
2 PLC ± -		WEIGHT	DRAWING NO	
3 PLC ± -		CUSTOMER DRAWING	C=1734300	
4 PLC ± -		SCALE	SHEET	RESTRICTED TO
ANGLES ± -		-	2 OF 2	REV B1