



Chipsmall Limited consists of a professional team with an average of over 10 year of expertise in the distribution of electronic components. Based in Hongkong, we have already established firm and mutual-benefit business relationships with customers from,Europe,America and south Asia,supplying obsolete and hard-to-find components to meet their specific needs.

With the principle of “Quality Parts,Customers Priority,Honest Operation,and Considerate Service”,our business mainly focus on the distribution of electronic components. Line cards we deal with include Microchip,ALPS,ROHM,Xilinx,Pulse,ON,Everlight and Freescale. Main products comprise IC,Modules,Potentiometer,IC Socket,Relay,Connector.Our parts cover such applications as commercial,industrial, and automotives areas.

We are looking forward to setting up business relationship with you and hope to provide you with the best service and solution. Let us make a better world for our industry!



Contact us

Tel: +86-755-8981 8866 Fax: +86-755-8427 6832

Email & Skype: info@chipsmall.com Web: www.chipsmall.com

Address: A1208, Overseas Decoration Building, #122 Zhenhua RD., Futian, Shenzhen, China



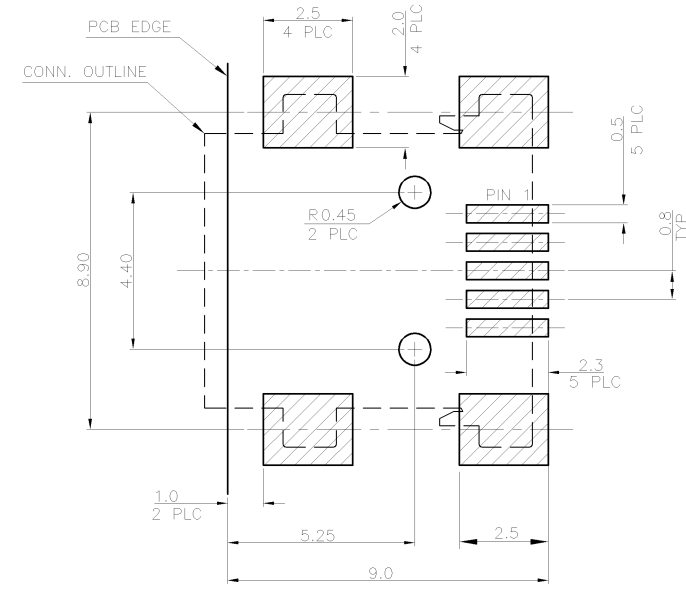
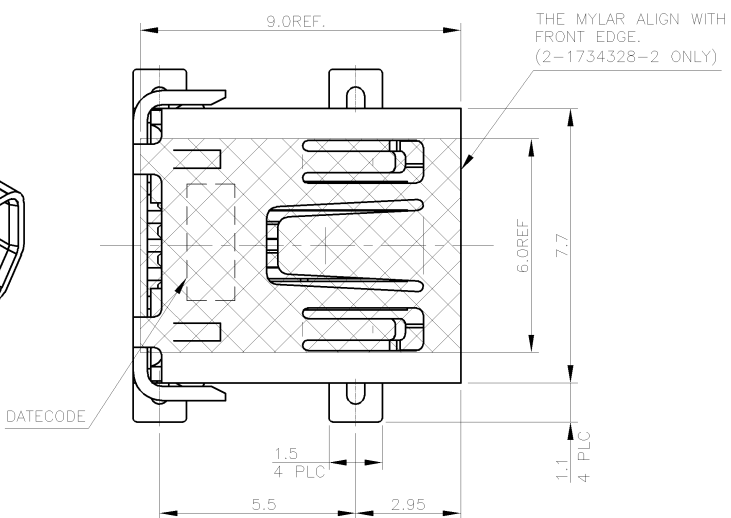
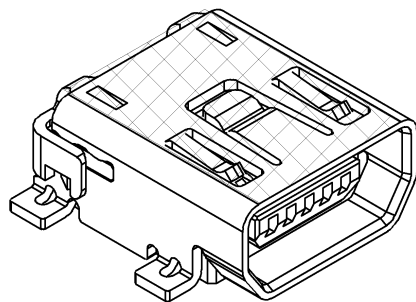
THIS DRAWING IS UNPUBLISHED. RELEASED FOR PUBLICATION AUG ,2006.

© COPYRIGHT 2009 BY TYCO ELECTRONICS CORPORATION. ALL RIGHTS RESERVED.

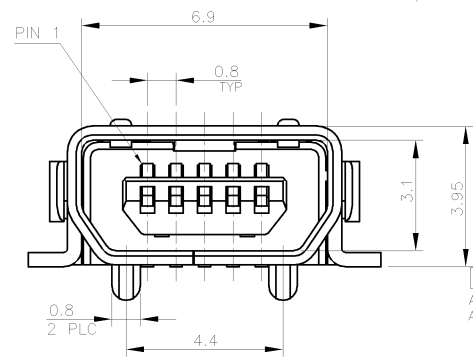
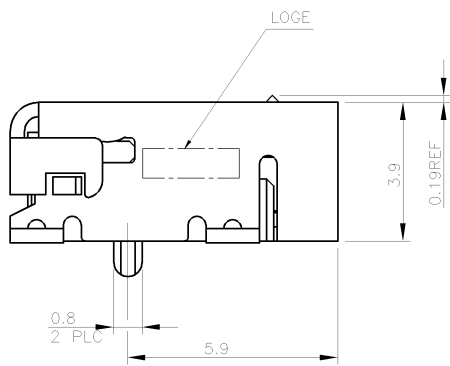
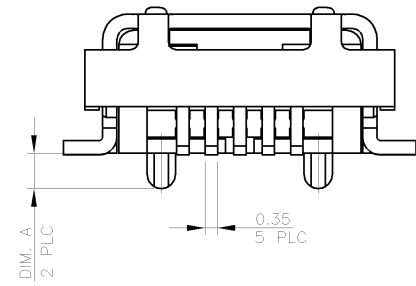
LOC DW
DIST

REVISIONS

P	LTR	DESCRIPTION	DATE	DWN	APVD
D		REVISED. (ECR-12-016806)	13DEC12	JL	WK



RECOMMENDED PCB LAYOUT (MOUNTING SIDE). (THICKNESS=1.6mm) (TOLERANCE=±0.05MM)



0.10 ALL SOLDER TAILS AND PEGS

W/	1.0	REEL	2-1734328-2
W/O	0.6	REEL	1-1734328-2
W/O	0.6	TRAY	1-1734328-1
W/O	1.0	REEL	1734328-2
W/O	1.0	TRAY	1734328-1
MYLAR	DIM.A	PACKAGE	PART NUMBER

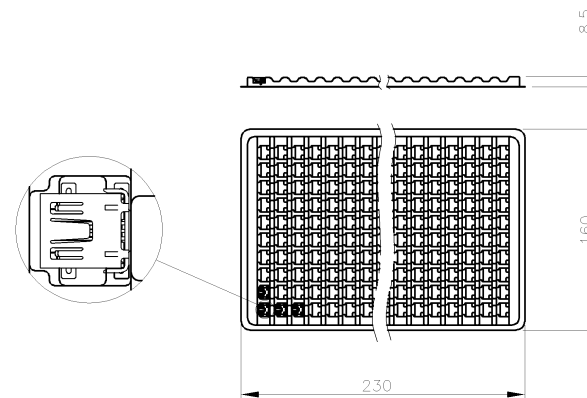
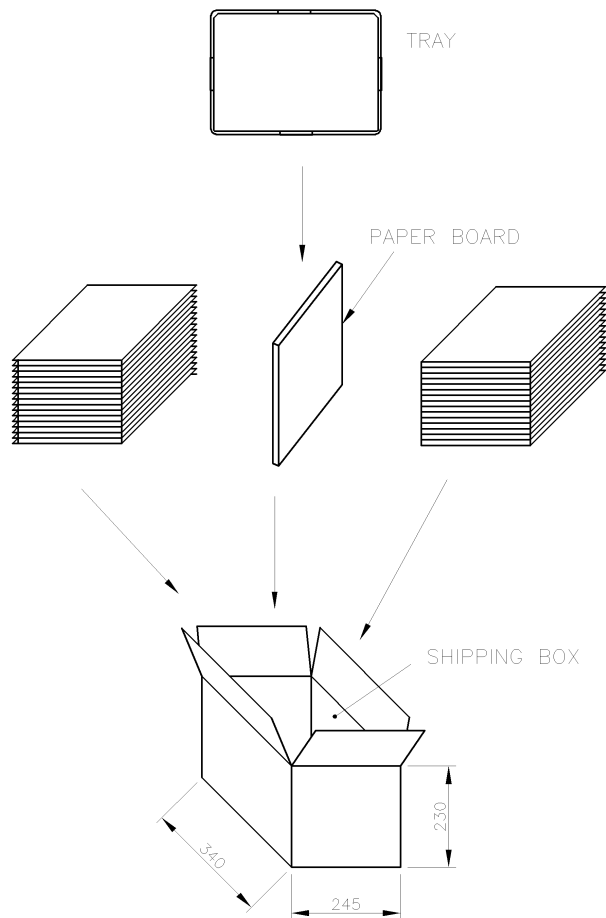
- NOTE:
- MATERIAL:
HOUSING: PA9T w/ 33% GF, UL 94V-0, COLOR:BLACK.
CONTACT: PHOSPHOR BRONZE, THICKNESS:0.25±0.05mm.
SHELL: PHOSPHOR BRONZE, THICKNESS:0.40±0.05mm.
MYLAR: POLYESTER FILM.
 - FINISH:
CONTACTS: 0.762um [30u"] MIN GOLD PLATED ON CONTACT AREA,
2.54um [100u"] MIN MATTE-TIN PLATED ON SOLDER TAILS,
1.27um [50u"] MIN. NICKEL UNDERPLATED ALL OVER.
SHELL : 2.032um [80u"] MIN. NICKEL PLATED ALL OVER.
 - REFLOW SOLDER CAPABLE TO 260°C PER TE SPEC 109-201 CONDITION B.

THIS DRAWING IS A CONTROLLED DOCUMENT.		DWN F. YANG 13JUL2009	TE Connectivity	
DIMENSIONS: MM		CHK S. CHIEN 13JUL2009		
TOLERANCES UNLESS OTHERWISE SPECIFIED:		APVD W. KODAMA 13JUL2009	NAME	
0 PLC ± - 1 PLC ± 0.3 2 PLC ± 0.2 3 PLC ± 0.15 4 PLC ± - ANGLES ± 3°		PRODUCT SPEC 108-57062	MINI USB CONNECTOR, TYPE AB, RCPT, R/A, SMT TYPE	
MATERIAL SEE NOTE	FINISH SEE NOTE	APPLICATION SPEC	SIZE A3	CAGE CODE 00779
		WEIGHT 0.76 GRAMS	DRAWING NO C=1734328	RESTRICTED TO
		CUSTOMER DRAWING		SCALE -
		SHEET 1 of 3		REV D

LOC DIST
DW

REVISIONS

P	LTR	DESCRIPTION	DATE	DWN	APVD
		SEE SHEET 1.			

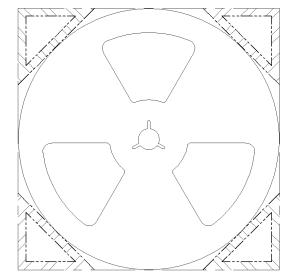
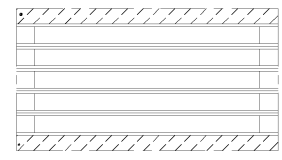
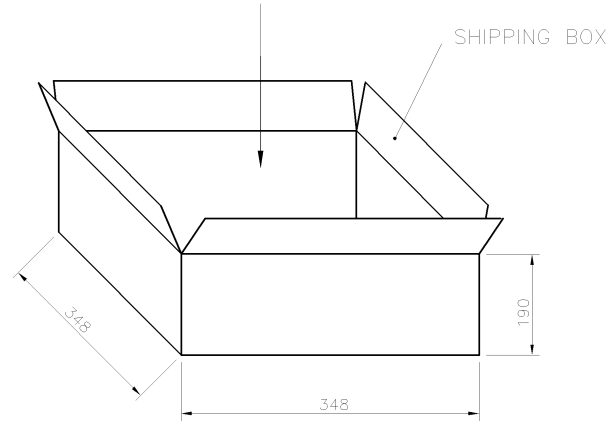
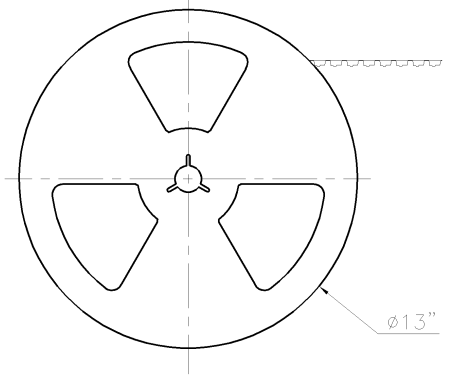
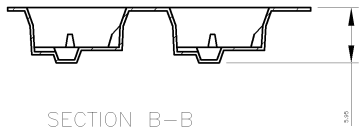
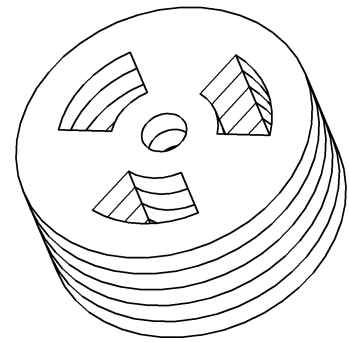
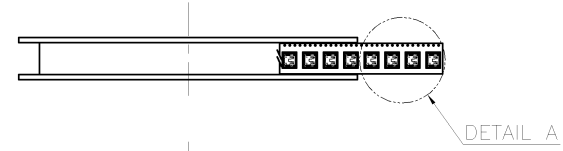
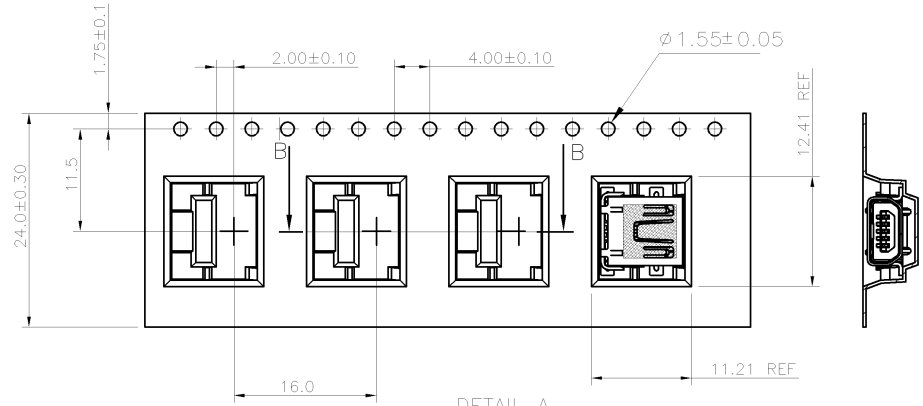


150	56	8400	9.2	6.7	1-1734328-1
PCS/TRAY	TRAYS/BOX	QUANTITY	G/W (Kg)	N/W (Kg)	PART NUMBER
					1734328-1

THIS DRAWING IS A CONTROLLED DOCUMENT.		DWN	STE TE Connectivity		
DIMENSIONS: MM		CHK			
TOLERANCES UNLESS OTHERWISE SPECIFIED:		APVD	NAME		
0 PLC ± -		PRODUCT SPEC	MINI USB CONNECTOR, TYPE AB, RCPT, R/A, SMT TYPE		
1 PLC ± -		APPLICATION SPEC	SIZE	CAGE CODE	DRAWING NO
2 PLC ± -		WEIGHT	A3	00779	C=1734328
3 PLC ± -		CUSTOMER DRAWING		RESTRICTED TO	
4 PLC ± -		SCALE		SHEET	REV
ANGLES ± -		-		2 of 3	D
MATERIAL		FINISH			

THIS DRAWING IS UNPUBLISHED. RELEASED FOR PUBLICATION AUG ,2006.
 © COPYRIGHT 2009 BY TYCO ELECTRONICS CORPORATION. ALL RIGHTS RESERVED.

LOC	DIST	REVISIONS					
DW		P	LTR	DESCRIPTION	DATE	DWN	APVD
				SEE SHEET 1.			



700	5	3500	6.5	5.5	2-1734328-2
					1-1734328-2
					1734328-2
PCS/REEL	REELS/BOX	QUANTITY	G/W (Kg)	N/W (Kg)	PART NUMBER

THIS DRAWING IS A CONTROLLED DOCUMENT.		DWN	STE TE Connectivity		
DIMENSIONS: MM		CHK			
TOLERANCES UNLESS OTHERWISE SPECIFIED:		APVD	MINI USB CONNECTOR, TYPE AB, RCPT, R/A, SMT TYPE		
0 PLC ± -		PRODUCT SPEC	SIZE		
1 PLC ± -		APPLICATION SPEC	CAGE CODE	DRAWING NO	RESTRICTED TO
2 PLC ± -		WEIGHT	00779	C=1734328	
3 PLC ± -			CUSTOMER DRAWING		
4 PLC ± -			SCALE	SHEET	REV
ANGLES ± -				3 of 3	D
FINISH					