



Chipsmall Limited consists of a professional team with an average of over 10 year of expertise in the distribution of electronic components. Based in Hongkong, we have already established firm and mutual-benefit business relationships with customers from,Europe,America and south Asia,supplying obsolete and hard-to-find components to meet their specific needs.

With the principle of "Quality Parts,Customers Priority,Honest Operation,and Considerate Service",our business mainly focus on the distribution of electronic components. Line cards we deal with include Microchip,ALPS,ROHM,Xilinx,Pulse,ON,Everlight and Freescale. Main products comprise IC,Modules,Potentiometer,IC Socket,Relay,Connector.Our parts cover such applications as commercial,industrial, and automotives areas.

We are looking forward to setting up business relationship with you and hope to provide you with the best service and solution. Let us make a better world for our industry!



Contact us

Tel: +86-755-8981 8866 Fax: +86-755-8427 6832

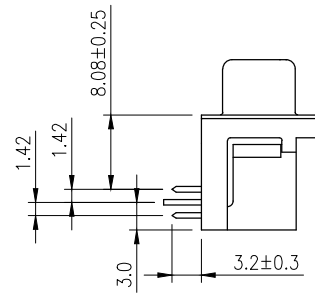
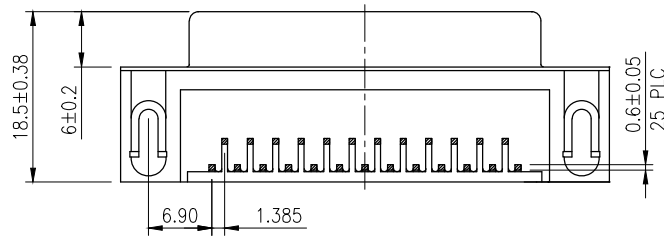
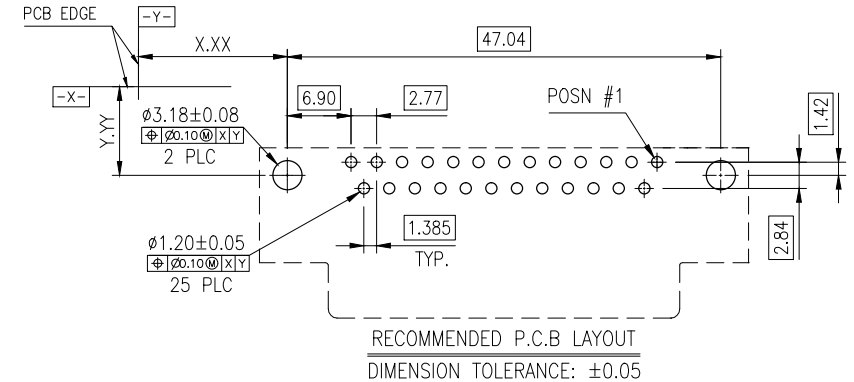
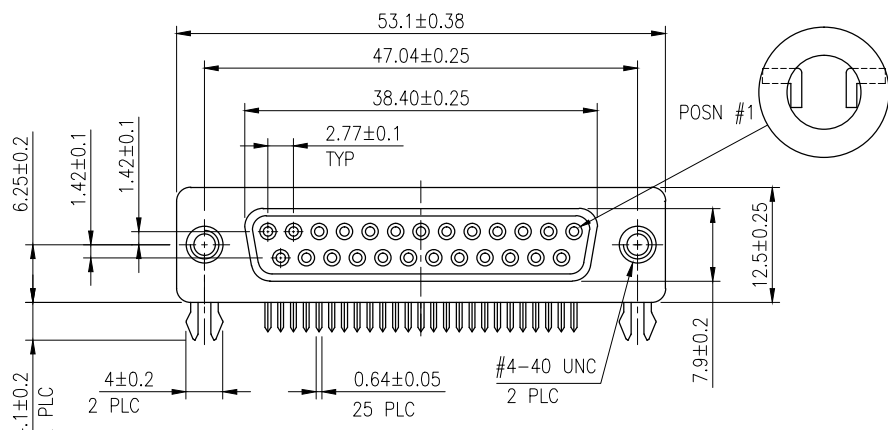
Email & Skype: info@chipsmall.com Web: www.chipsmall.com

Address: A1208, Overseas Decoration Building, #122 Zhenhua RD., Futian, Shenzhen, China

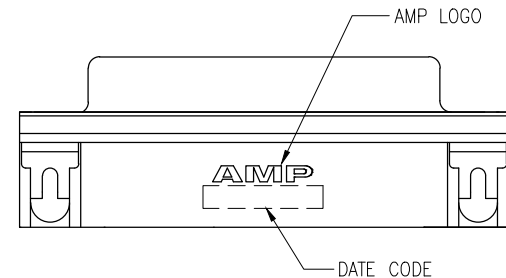
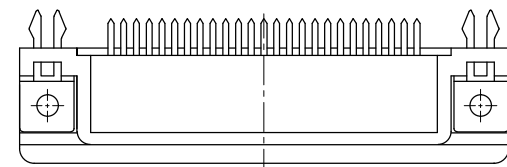


THIS DRAWING IS UNPUBLISHED.
 RELEASED FOR PUBLICATION
 ALL RIGHTS RESERVED.

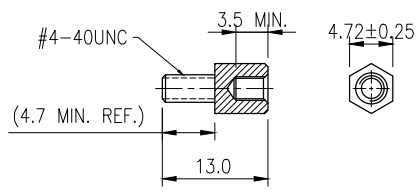
LOC		DIST		REVISIONS			DATE	DWN	APVD
DW				P	LTR	DESCRIPTION			
				A2		REVISED PER ECR-14-000726	30APR14	S.C	H.L



- NOTES:
- MATERIAL:
 - HOUSING: PBT OR NY9T, UL 94V-0 RATED, COLOR: SEE TABLE
 - CONTACTS: PHOSPHOR BRONZE
 - SHELL: SPCC
 - BOARDLOCKS: BRASS
 - RIVET: BRASS
 - FINISH:
 - CONTACT:
 - GOLD PLATING ON CONTACT AREA. (SEE TABLE)
 - 100µ" MIN. MATTE TIN PLATING ON SOLDER TAIL AREA, 50µ" MIN. NICKEL UNDERPLATED OVERALL,
 - BOARDLOCK:
 - 100µ" MIN MATTE TIN PLATING
 - 50µ" MIN NICKEL UNDERPLATED OVERALL,
 - SHELL: NICKEL PLATING OVERALL
 - RIVET: NICKEL PLATING OVERALL
 - RECOMMENDED PCB THICKNESS: 1.6 mm
 - WAVE SOLDER CAPABLE TO 265°C, PER TE CONNECTIVITY SPEC. 109-202, CONDITION B.
 - THREADED INSERTS MUST WITHSTAND 6 IN-LBS TORQUE.



OBSOLETE	BURGUNDY 235C	NY9T	15µ"	2-	-6
		PBT	G/F	2-	-5
	BLACK	NY9T	15µ"	2-	-1
		PBT	G/F	1-	-2
COLOR	HSG MATERIAL	COLD FINISH	PART NO.		
					1734350-1

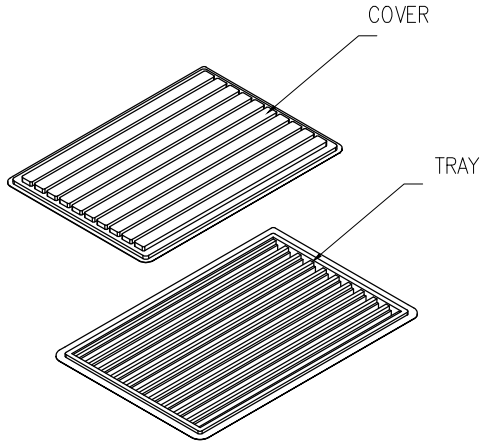
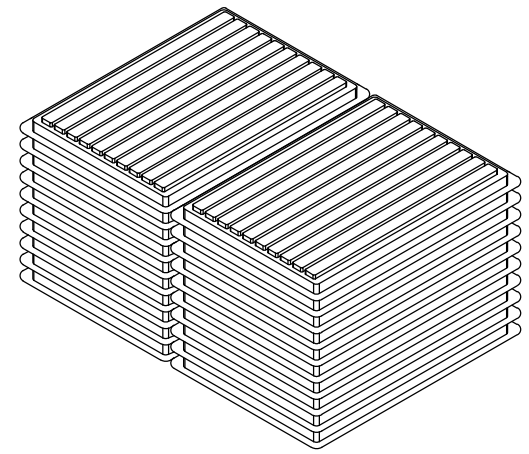


THIS PRODUCT EQUIPPED WITH NO SCREW
 RECOMMENDED OUTSOURCING SCREW TYPE

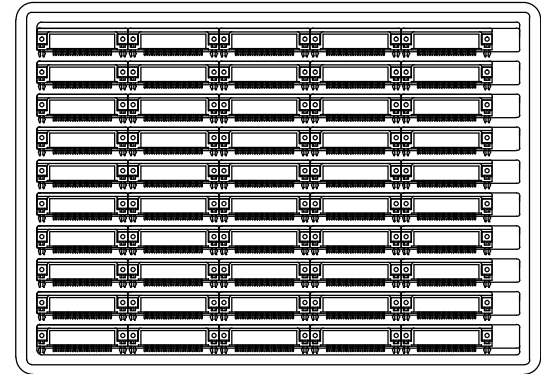
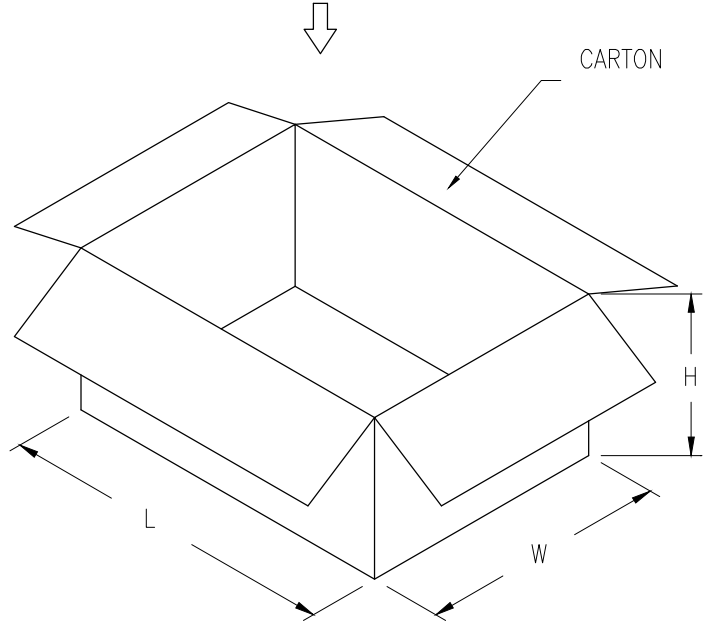
THIS DRAWING IS A CONTROLLED DOCUMENT.		DWN J. LEE 09MAR2007	TE Connectivity AMPLIMITE 8.08mm[0.318in] SERIES, R/A, RCPT, 25 POS		
DIMENSIONS: MM		CHK S. HOU 09MAR2007			
TOLERANCES UNLESS OTHERWISE SPECIFIED:		APVD W.J. KE 09MAR2007	NAME		
0 PLC ± -		PRODUCT SPEC		108-57541	
1 PLC ± 0.38		QUALIFICATION TEST REPORT		501-57623	
2 PLC ± 0.25		WEIGHT		7.0 GRAMS	
3 PLC ± 0.15		CUSTOMER DRAWING		A3 00779 C=1734350	
4 PLC ± -		SCALE		SHEET 1 of 2	
ANGLES ± -		REV		A2	
MATERIAL SEE NOTE		FINISH SEE NOTE			

THIS DRAWING IS UNPUBLISHED. RELEASED FOR PUBLICATION
 © COPYRIGHT - BY - ALL RIGHTS RESERVED.

LOC DW	DIST	REVISIONS			
P	LTR	DESCRIPTION	DATE	DWN	APVD
		SEE SHEET 1.			



- NOTES:
- MATERIAL:
 - 1.1 TRAY: PVC
 - 1.2 SHIPPING CARTON: CORRUGATED FIBERBOARD
 - DIMENSION:
 - 2.1 TRAY: L=306, W=217, H=15
 - 2.2 SHIPPING CARTON: L=440, W=321, H=210
 - QUANTITY:
 - 3.1 PRIMARY PACKING: 50 PCS/TRAY
 - 3.2 THIRD PACKING: 20 TRAY/CARTON(1,000PCS)
 - WEIGHT:
 - 4.1 NET WEIGHT: 7.0 Kg
 - 4.2 GROSS WEIGHT: 8.0 Kg



THIS DRAWING IS A CONTROLLED DOCUMENT.		DWN			
DIMENSIONS: MM		CHK	NAME		
		APVD	AMPLIMITE 8.08mm[0.318in] SERIES, R/A, RCPT, 25 POS		
TOLERANCES UNLESS OTHERWISE SPECIFIED:		PRODUCT SPEC	SIZE	CAGE CODE	DRAWING NO
0 PLC ± -		APPLICATION SPEC	A3	00779	C-1734350
1 PLC ± -		WEIGHT	RESTRICTED TO		
2 PLC ± -		CUSTOMER DRAWING	SCALE		
3 PLC ± -			SHEET 2 of 2		
4 PLC ± -			REV A2		
ANGLES ± -					
MATERIAL					
FINISH					