



Chipsmall Limited consists of a professional team with an average of over 10 year of expertise in the distribution of electronic components. Based in Hongkong, we have already established firm and mutual-benefit business relationships with customers from,Europe,America and south Asia,supplying obsolete and hard-to-find components to meet their specific needs.

With the principle of "Quality Parts,Customers Priority,Honest Operation,and Considerate Service",our business mainly focus on the distribution of electronic components. Line cards we deal with include Microchip,ALPS,ROHM,Xilinx,Pulse,ON,Everlight and Freescale. Main products comprise IC,Modules,Potentiometer,IC Socket,Relay,Connector.Our parts cover such applications as commercial,industrial, and automotives areas.

We are looking forward to setting up business relationship with you and hope to provide you with the best service and solution. Let us make a better world for our industry!



## Contact us

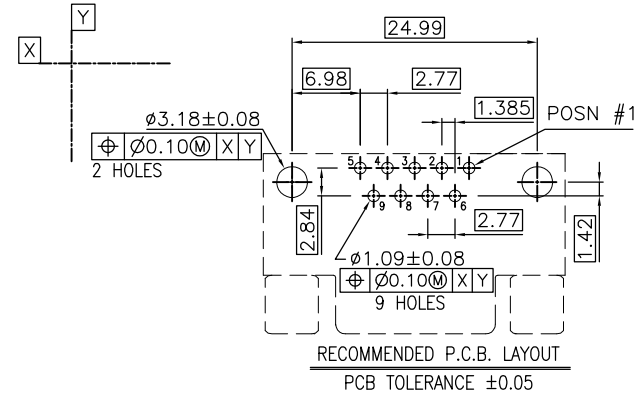
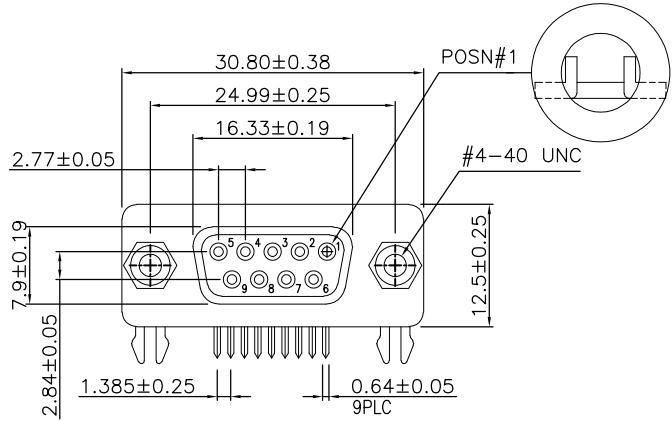
Tel: +86-755-8981 8866 Fax: +86-755-8427 6832

Email & Skype: info@chipsmall.com Web: www.chipsmall.com

Address: A1208, Overseas Decoration Building, #122 Zhenhua RD., Futian, Shenzhen, China

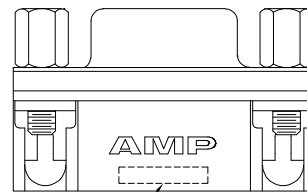
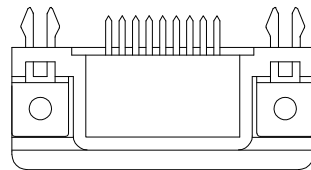
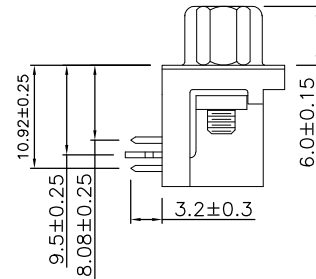
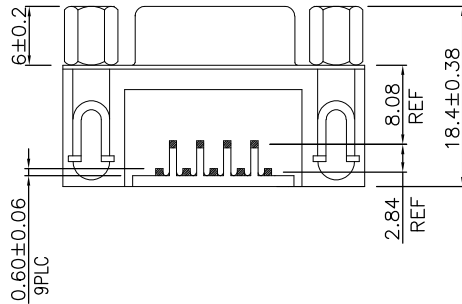


P	LTR	DESCRIPTION	DATE	DWN	APVD
A1		REVISED PER ECO-11-005301	07MAR11	RK	HMR



NOTES:

- MATERIAL:
  - HOUSING: NY9T WITH 30% G.F. UL 94V-0, COLOR: BLACK
  - CONTACTS: PHOSPHOR BRONZE
  - SHELL: SPCC
  - BOARDLOCKS: BRASS
  - RIVET: BRASS
  - SCREWLOCKS: BRASS, THREAD LENGTH OF SCREW: 6.0 MIN.
- FINISH:
  - CONTACT: GOLD PLATING ON CONTACT AREA. (SEE TABLE)  
2.54µm[100µ"] MIN. MATTE-TIN PLATING ON SOLDER TAIL,  
1.27µm[50µ"] MIN. NICKEL UNDERPLATED ON ENTIRE CONTACT.
  - BOARDLOCK: 2.54µm[100µ"] MIN. MATTE-TIN PLATING OVER  
1.27µm[50µ"] MIN. NICKEL UNDERPLATED ON ENTIRE CONTACT.
  - SHELL: NICKEL PLATED
  - RIVET: NICKEL PLATED
  - SCREWLOCKS: NICKEL PLATED
- NET WEIGHT: 8.9 gram/PC.
- THREADED INSERTS AND SCREWLOCKS MUST WITHSTAND 6 IN-LBS TORQUE.
- DAET CODE: YYWW
- REFLOW SOLDER CAPABLE TO 260°C PER TE CONNECTIVITY SPEC. 109-201, CONDITION B.



0.38µm[15u"]	1734354-2
GOLD-FLASH	1734354-1
CONTACT FINISH MIN.	PART NO.

THIS DRAWING IS A CONTROLLED DOCUMENT.

DWN J. LEE 17NOV2006	
CHK S. HOU 17NOV2006	
APVD W.J. KE 17NOV2006	
PRODUCT SPEC	
108-57541	
QUALIFICATION TEST REPORT	
501-57623	
WEIGHT SEE NOTE	
CUSTOMER DRAWING	

DIMENSIONS:	TOLERANCES UNLESS OTHERWISE SPECIFIED:
MM	
0 PLC	±
1 PLC	±0.38
2 PLC	±0.25
3 PLC	±0.15
4 PLC	±
ANGLES	±
MATERIAL	FINISH
SEE NOTE	SEE NOTE



NAME			
RECEPTACLE ASSEMBLY, 9 POSN, RIGHT ANGLE, 8.08mm[0.318in] SERIES, AMPLIMITE, WITH SCREWLOCKS			
SIZE	CAGE CODE	DRAWING NO	RESTRICTED TO
A3	00779	1734354	-
SCALE		SHEET	REV
-		1 OF 2	A1

4

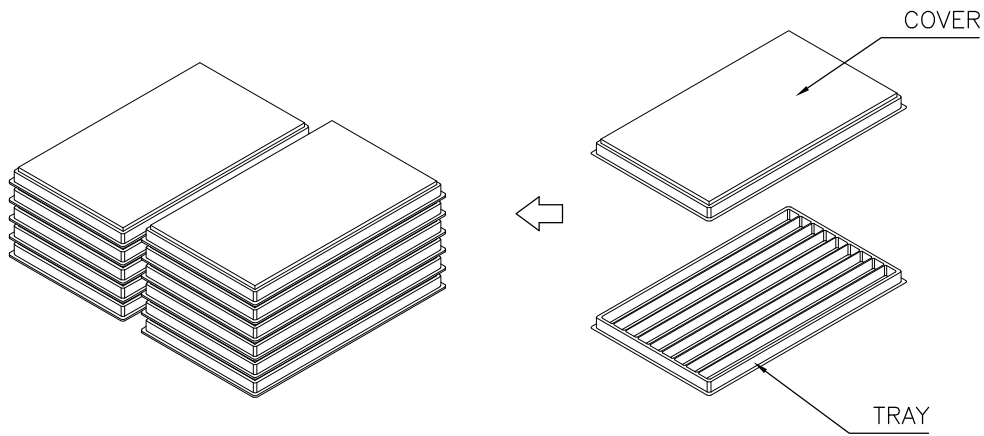
3

2

1

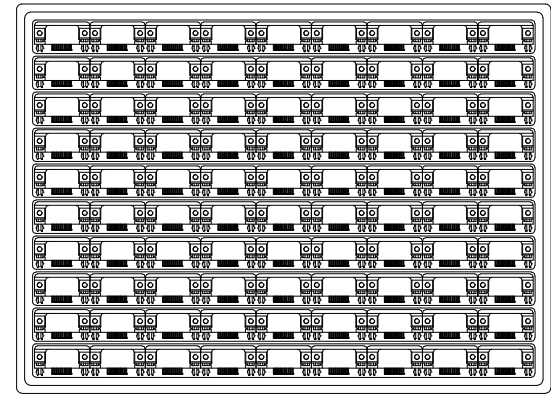
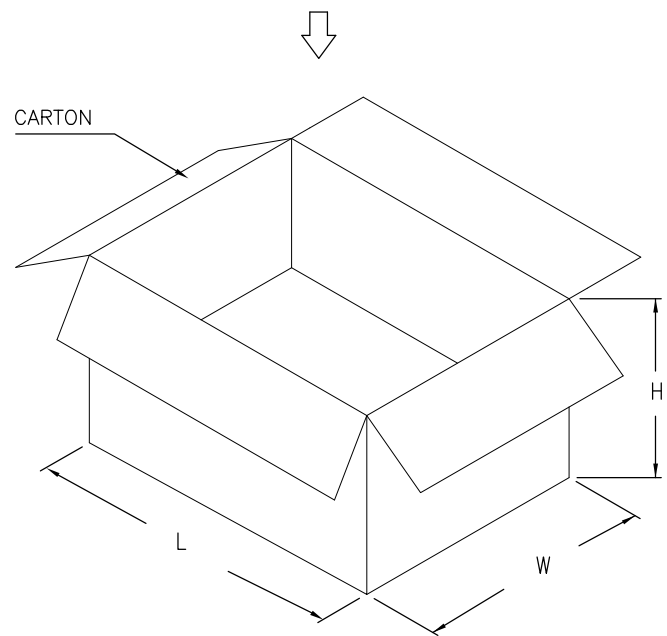
THIS DRAWING IS UNPUBLISHED. RELEASED FOR PUBLICATION  
© COPYRIGHT - BY - ALL RIGHTS RESERVED.

LOC		DIST		REVISIONS					
DW		-		P	LTR	DESCRIPTION	DATE	DWN	APVD
				-		SEE SHEET 1.	-	-	-



NOTES:

1. MATERIAL:
  - 1.1 TRAY: PVC
  - 1.2 SHIPPING CARTON: CORRUGATED FIBERBOARD
2. DIMENSION:
  - 2.1 TRAY: L=306, W=217, H=15.8
  - 2.2 SHIPPING CARTON: L=440, W=321, H=153
3. QUANTITY:
  - 3.1 PRIMARY PACKING: 90 PCS/TRAY
  - 3.2 SECONDARY PACKING: 11 TRAY/CARTON(990PCS)
4. CARTON WEIGHT:
  - 4.1 NET WEIGHT: 8.9 KG
  - 4.2 GROSS WEIGHT: 9.9 KG



THIS DRAWING IS A CONTROLLED DOCUMENT.		DWN J. LEE 17NOV2006		NAME												
DIMENSIONS: MM		CHK S. HOU 17NOV2006		RECEPTACLE ASSEMBLY, 9 POSN, RIGHT ANGLE, 8.08mm[0.318in] SERIES, AMPLIMITE, WITH SCREWLOCKS												
TOLERANCES UNLESS OTHERWISE SPECIFIED:		APVD W.J. KE 17NOV2006	PRODUCT SPEC	SIZE	CAGE CODE											
<table border="1"> <tr><td>0 PLC</td><td>± -</td></tr> <tr><td>1 PLC</td><td>± -</td></tr> <tr><td>2 PLC</td><td>± -</td></tr> <tr><td>3 PLC</td><td>± -</td></tr> <tr><td>4 PLC</td><td>± -</td></tr> <tr><td>ANGLES</td><td>± -</td></tr> </table>		0 PLC	± -	1 PLC	± -	2 PLC	± -	3 PLC	± -	4 PLC	± -	ANGLES	± -	APPLICATION SPEC	DRAWING NO	RESTRICTED TO
0 PLC	± -															
1 PLC	± -															
2 PLC	± -															
3 PLC	± -															
4 PLC	± -															
ANGLES	± -															
MATERIAL		WEIGHT	A3	00779	C=1734354											
CUSTOMER DRAWING		SCALE	-	SHEET	2 of 2											
		REV	A1													