



Chipsmall Limited consists of a professional team with an average of over 10 year of expertise in the distribution of electronic components. Based in Hongkong, we have already established firm and mutual-benefit business relationships with customers from,Europe,America and south Asia,supplying obsolete and hard-to-find components to meet their specific needs.

With the principle of “Quality Parts,Customers Priority,Honest Operation,and Considerate Service”,our business mainly focus on the distribution of electronic components. Line cards we deal with include Microchip,ALPS,ROHM,Xilinx,Pulse,ON,Everlight and Freescale. Main products comprise IC,Modules,Potentiometer,IC Socket,Relay,Connector.Our parts cover such applications as commercial,industrial, and automotives areas.

We are looking forward to setting up business relationship with you and hope to provide you with the best service and solution. Let us make a better world for our industry!



## Contact us

Tel: +86-755-8981 8866 Fax: +86-755-8427 6832

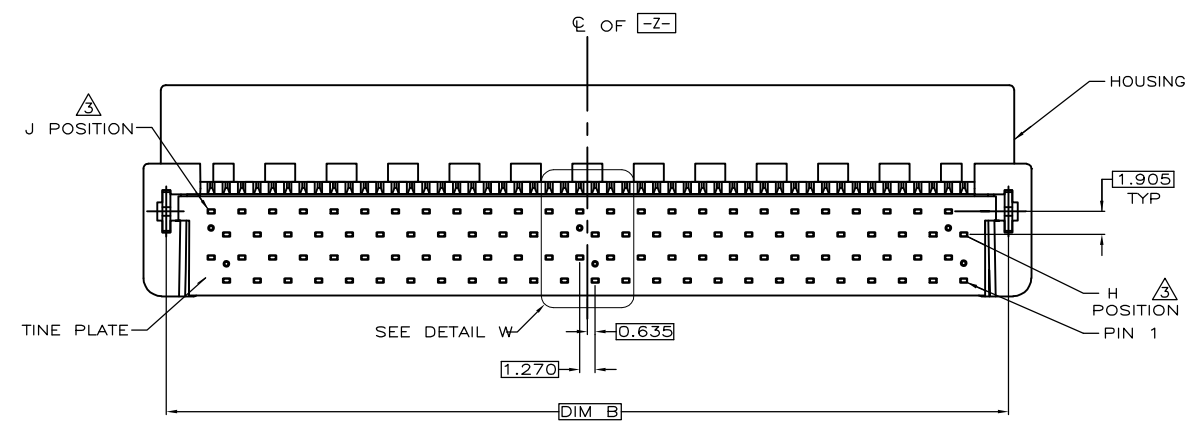
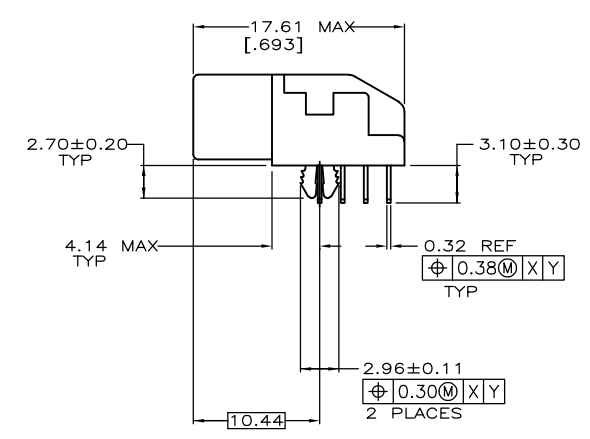
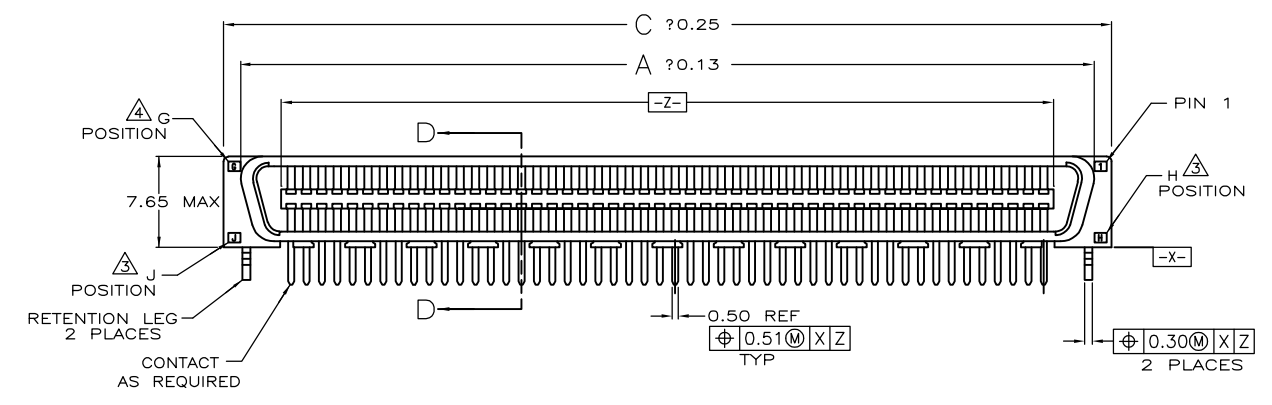
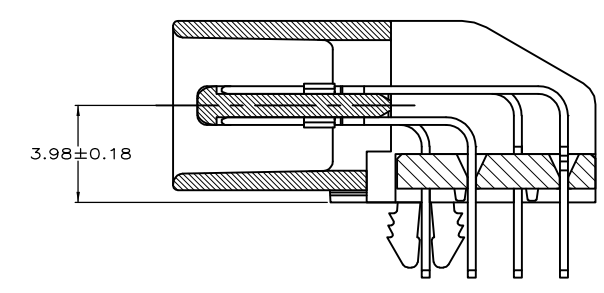
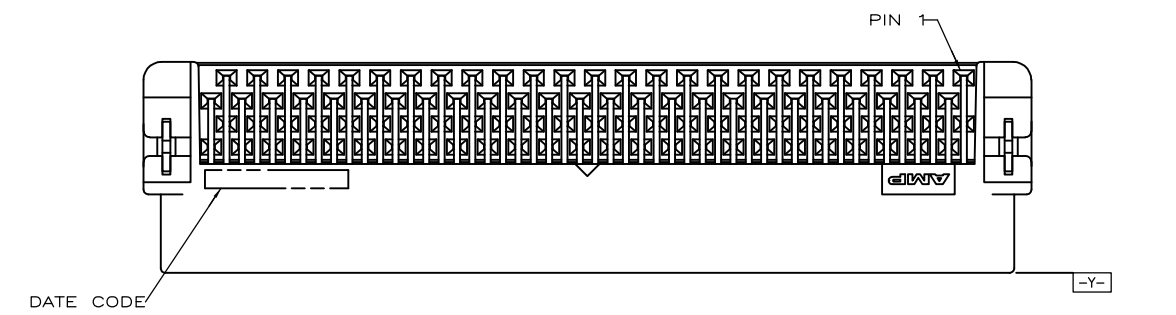
Email & Skype: info@chipsmall.com Web: www.chipsmall.com

Address: A1208, Overseas Decoration Building, #122 Zhenhua RD., Futian, Shenzhen, China



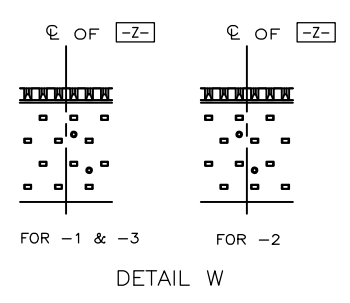
THIS DRAWING IS UNPUBLISHED. RELEASED FOR PUBLICATION  
 © COPYRIGHT - By - ALL RIGHTS RESERVED.

LOC	DIST	REVISIONS			
P	LTR	DESCRIPTION	DATE	DWN	APVD
DW	/	B1	REVISED PER ECR-12-013103	25MAR13	K.M E.T



- ⚠ HOUSING AND TINE PLATE: LCP, 94V-0, BLACK.  
CONTACT: PHOSPHOR BRONZE.  
RETENTION LEG: BRASS.
- ⚠ CONTACT: GOLD FLASH OVER  
0.76µm MIN PALLADIUM-NICKEL FOR A LENGTH OF 2.00 MIN FOR A LENGTH OF 1.00 MAX FROM MATING END,  
3.75µm TIN-CU FOR A LENGTH OF 3.40 MIN FROM OPPOSITE END, BOTH OVER 1.27mm MIN NICKEL.  
RETENTION LEG: 3.81µm MIN TIN-CU OVER 1.27µm MIN NICKEL.
- ⚠ G, J AND H INDICATE NUMBER OF POSITION MARKED ON ASSEMBLY. SEE TABLE.
- 4 CONNECTOR WILL ACCOMMODATE PRINTED CIRCUIT BOARD THICKNESS OF 0.80 TO 1.60.
- ⚠ ALL DIMENSIONS SHOWN ARE MAXIMUM UNLESS OTHERWISE SPECIFIED.

ⓑ	OBSOLETE	120	61	60	86.13	82.33	83.27	120	1734359-3
		100	51	50	73.43	69.63	70.57	100	1734359-2
ⓑ	OBSOLETE	80	41	40	60.73	56.93	57.87	80	1734359-1
		J	H	G	C	B	A	POS.	PART NUMBER



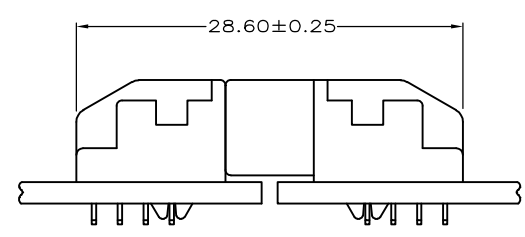
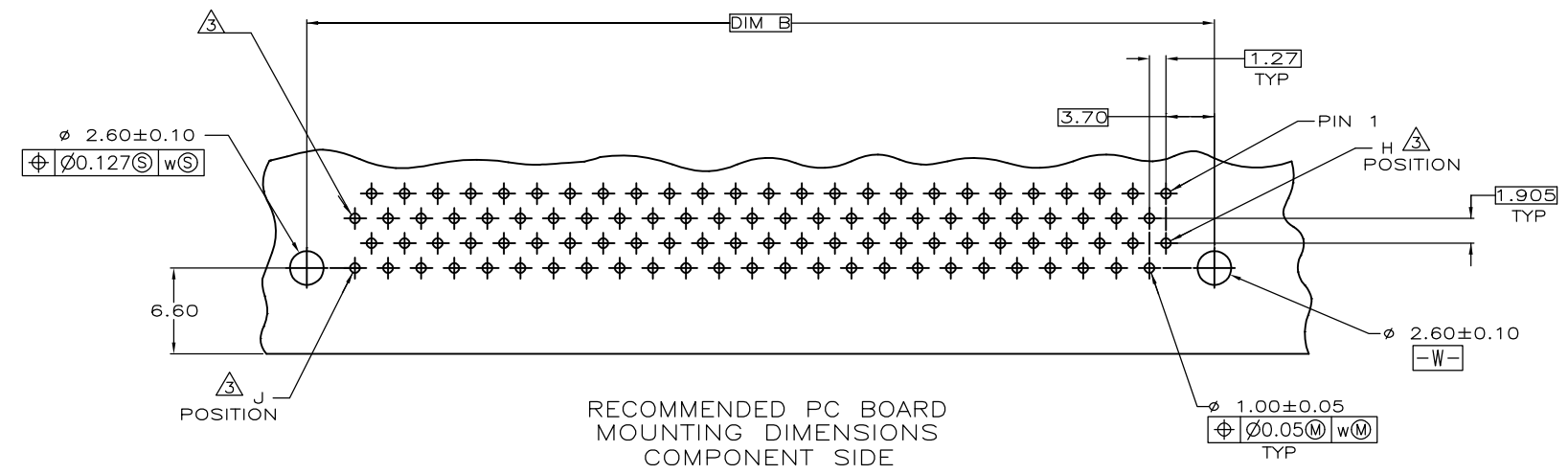
THIS DRAWING IS A CONTROLLED DOCUMENT.

DIMENSIONS: mm	TOLERANCES UNLESS OTHERWISE SPECIFIED: 0 PLC ± - 1 PLC ± - 2 PLC ± - 3 PLC ± - 4 PLC ± - ANGLES ± -	DWN O. HU 07FEB2006 CHK S. HOU 07FEB2006 APVD W.J. KE 07FEB2006 PRODUCT SPEC APPLICATION SPEC <b>108-57876</b> WEIGHT - MATERIAL SEE NOTE FINISH SEE NOTE	<b>STE</b> TE Connectivity PLUG ASSEMBLY, RIGHT ANGLE, BOARD-TO-BOARD, CHAMP .050, SERIES I SIZE A3 CAGE CODE 00779 DRAWING NO C-1734359 RESTRICTED TO - SCALE - SHEET 1 OF 3 REV B1
-------------------	-----------------------------------------------------------------------------------------------------------------------	-----------------------------------------------------------------------------------------------------------------------------------------------------------------------------------	-----------------------------------------------------------------------------------------------------------------------------------------------------------------------------------------------------

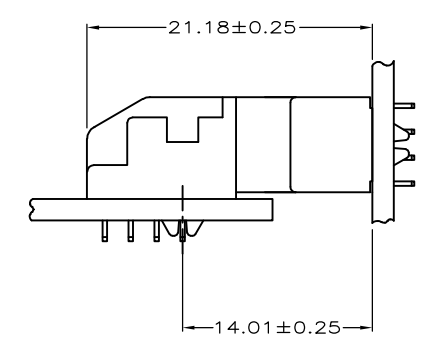
CUSTOMER DRAWING

THIS DRAWING IS UNPUBLISHED.      RELEASED FOR PUBLICATION      - , - .  
 © COPYRIGHT - By -      ALL RIGHTS RESERVED.

LOC	DIST	REVISIONS			
P	LTR	DESCRIPTION	DATE	DWN	APVD
		SEE SHEET 1	-	-	-



RIGHT ANGLE PLUG ASSEMBLY MATED TO RIGHT ANGLE RECEPTACLE ASSEMBLY



RIGHT ANGLE PLUG ASSEMBLY MATED TO VERTICAL RECEPTACLE ASSEMBLY

THIS DRAWING IS A CONTROLLED DOCUMENT.		DWN	TE Connectivity NAME PLUG ASSEMBLY, RIGHT ANGLE, BOARD-TO-BOARD, CHAMP .050, SERIES I				
DIMENSIONS: mm		CHK					
		APVD					
TOLERANCES UNLESS OTHERWISE SPECIFIED: 0 PLC ± - 1 PLC ± - 2 PLC ± - 3 PLC ± - 4 PLC ± - ANGLES ± -		PRODUCT SPEC					
MATERIAL		FINISH	APPLICATION SPEC	SIZE	CAGE CODE	DRAWING NO	RESTRICTED TO
			WEIGHT	A3	00779	C-1734359	-
CUSTOMER DRAWING			SCALE	SHEET	REV		
			-	2 OF 3	B1		

THIS DRAWING IS UNPUBLISHED.

RELEASED FOR PUBLICATION

© COPYRIGHT - By -

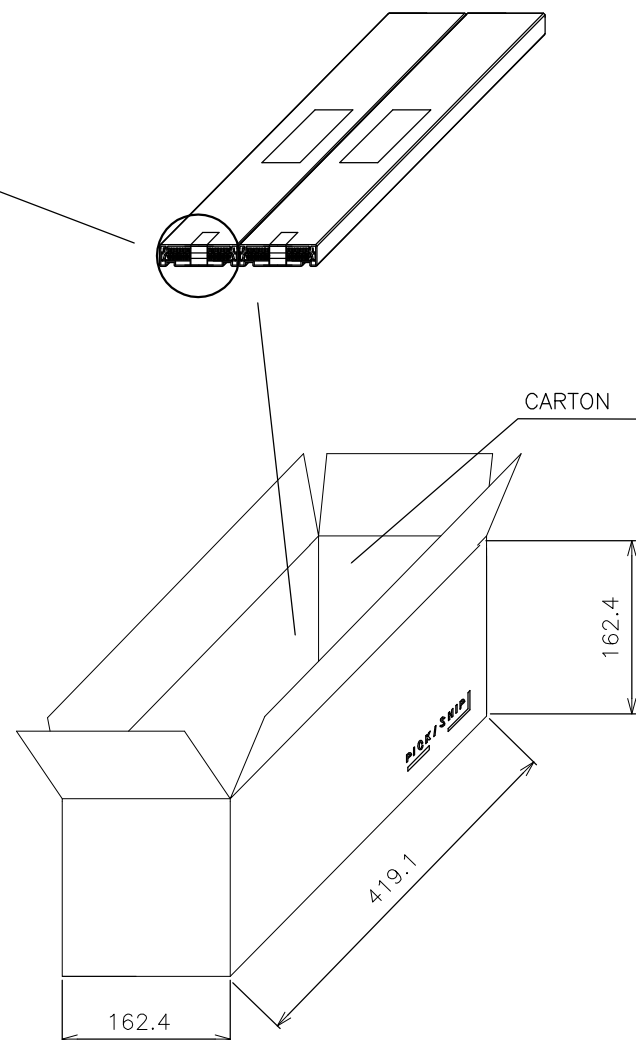
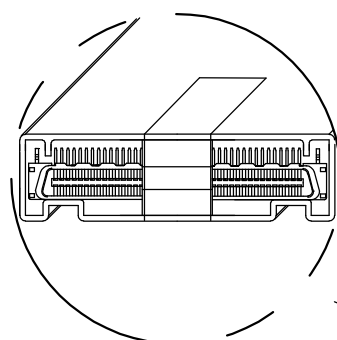
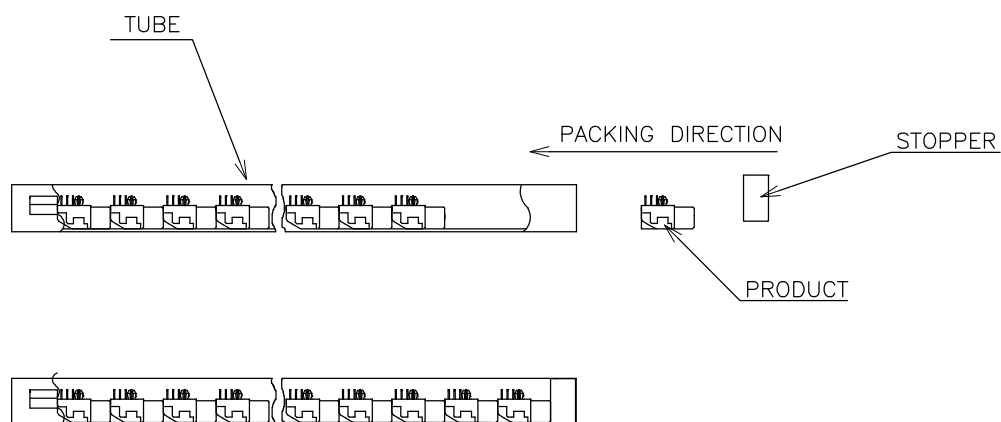
ALL RIGHTS RESERVED.

LOC  
DW


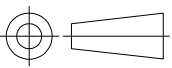
DIST  
/

REVISIONS

P	LTR	DESCRIPTION	DATE	DWN	APVD
-	-	SEE SHEET 1	-	-	-



①	OBSOLETE	5.83	3.40	21	16	336	1734359-3	120
		4.95	2.63	21	16	336	1734359-2	100
②	OBSOLETE	3.91	2.12	21	16	336	1734359-1	80
		<b>G.W./CARTON (KG)</b>	<b>N.W./CARTON (KG)</b>	<b>PCS/TUBE</b>	<b>TUBES/CARTON</b>	<b>QUANTITY/CARTON (PCS)</b>	<b>PART NUMBER</b>	<b>POS.</b>

THIS DRAWING IS A CONTROLLED DOCUMENT.		DWN	 <b>TE Connectivity</b>					
DIMENSIONS: mm		CHK				NAME		
		APVD						
TOLERANCES UNLESS OTHERWISE SPECIFIED: 0 PLC ± - 1 PLC ± - 2 PLC ± - 3 PLC ± - 4 PLC ± - ANGLES ± -		PRODUCT SPEC				PLUG ASSEMBLY, RIGHT ANGLE, BOARD-TO-BOARD, CHAMP .050, SERIES I		
MATERIAL		APPLICATION SPEC	SIZE	CAGE CODE	DRAWING NO			
FINISH		WEIGHT	A3 00779		C=1734359			
CUSTOMER DRAWING			SCALE	SHEET	REV			
			-	3 OF 3	B1			