



Chipsmall Limited consists of a professional team with an average of over 10 year of expertise in the distribution of electronic components. Based in Hongkong, we have already established firm and mutual-benefit business relationships with customers from,Europe,America and south Asia,supplying obsolete and hard-to-find components to meet their specific needs.

With the principle of “Quality Parts,Customers Priority,Honest Operation,and Considerate Service”,our business mainly focus on the distribution of electronic components. Line cards we deal with include Microchip,ALPS,ROHM,Xilinx,Pulse,ON,Everlight and Freescale. Main products comprise IC,Modules,Potentiometer,IC Socket,Relay,Connector.Our parts cover such applications as commercial,industrial, and automotives areas.

We are looking forward to setting up business relationship with you and hope to provide you with the best service and solution. Let us make a better world for our industry!



Contact us

Tel: +86-755-8981 8866 Fax: +86-755-8427 6832

Email & Skype: info@chipsmall.com Web: www.chipsmall.com

Address: A1208, Overseas Decoration Building, #122 Zhenhua RD., Futian, Shenzhen, China

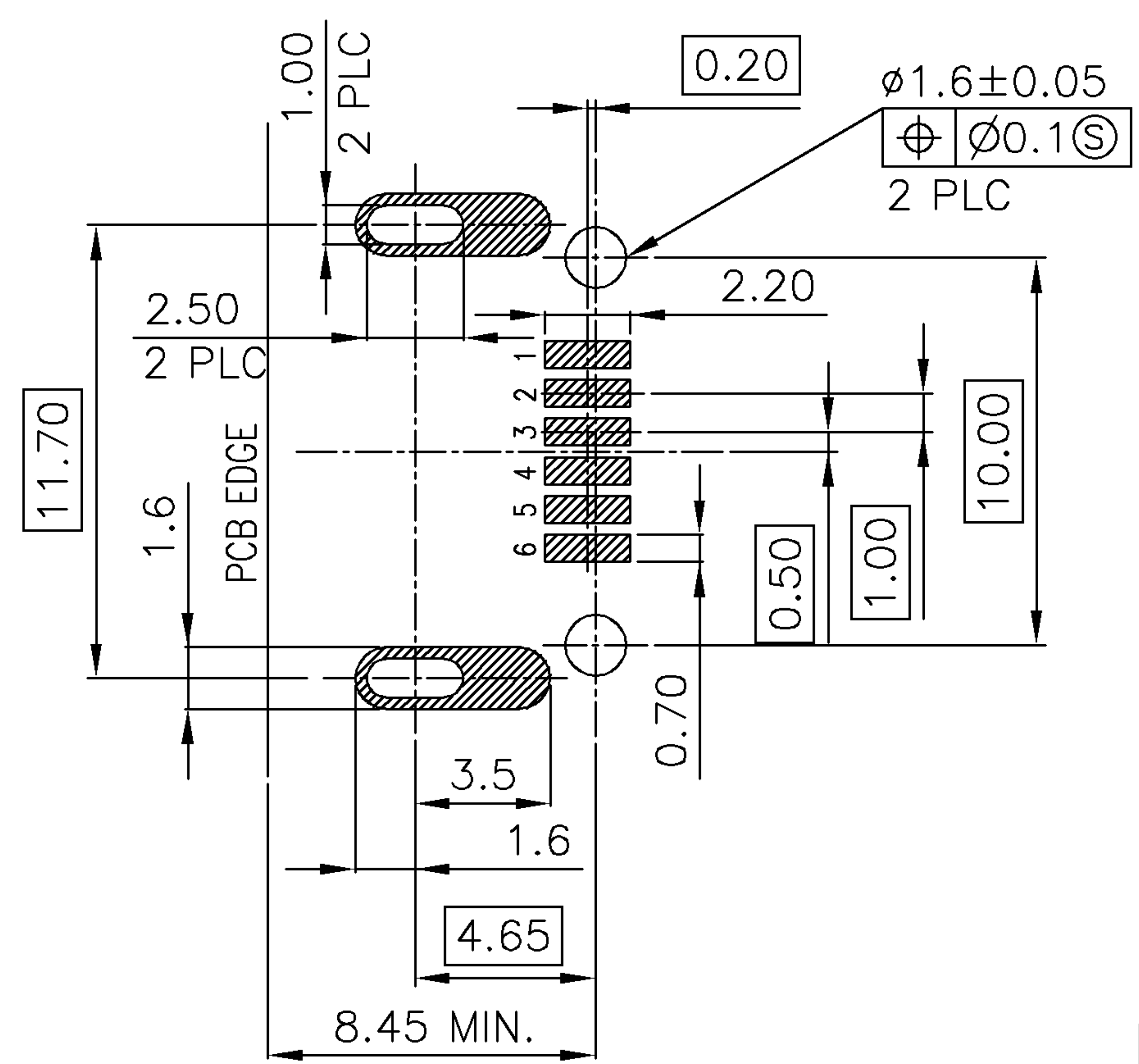
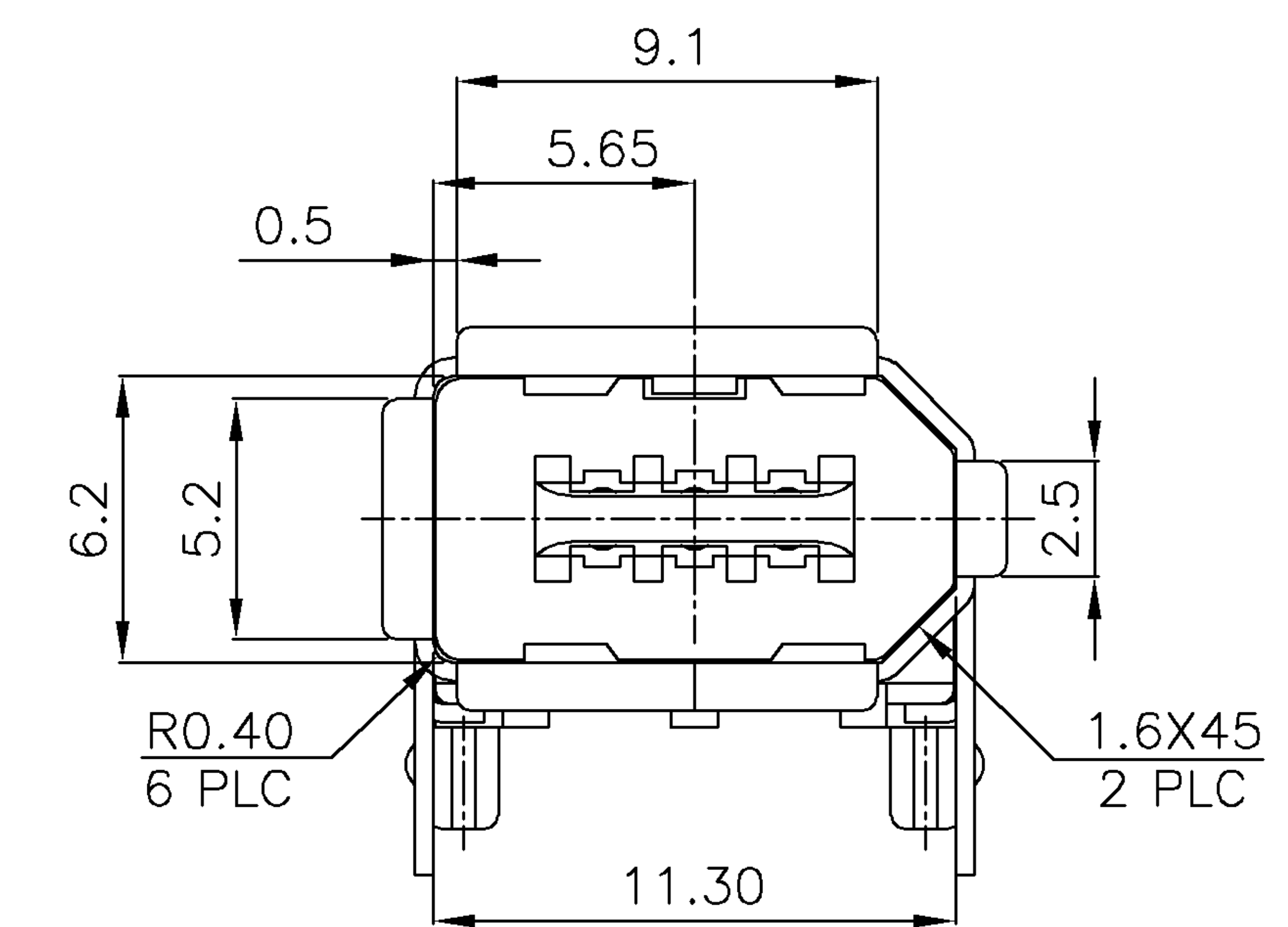


THIS INFORMATION IS CONFIDENTIAL AND IS DISCLOSED TO YOU ON CONDITION THAT NO FURTHER DISCLOSURE IS MADE BY YOU TO OTHER THAN AMP PERSONNEL WITHOUT WRITTEN AUTHORIZATION FROM AMP (TAIWAN) LTD. DIMENSIONS IN MILLIMETERS. DO NOT SCALE PRINT.

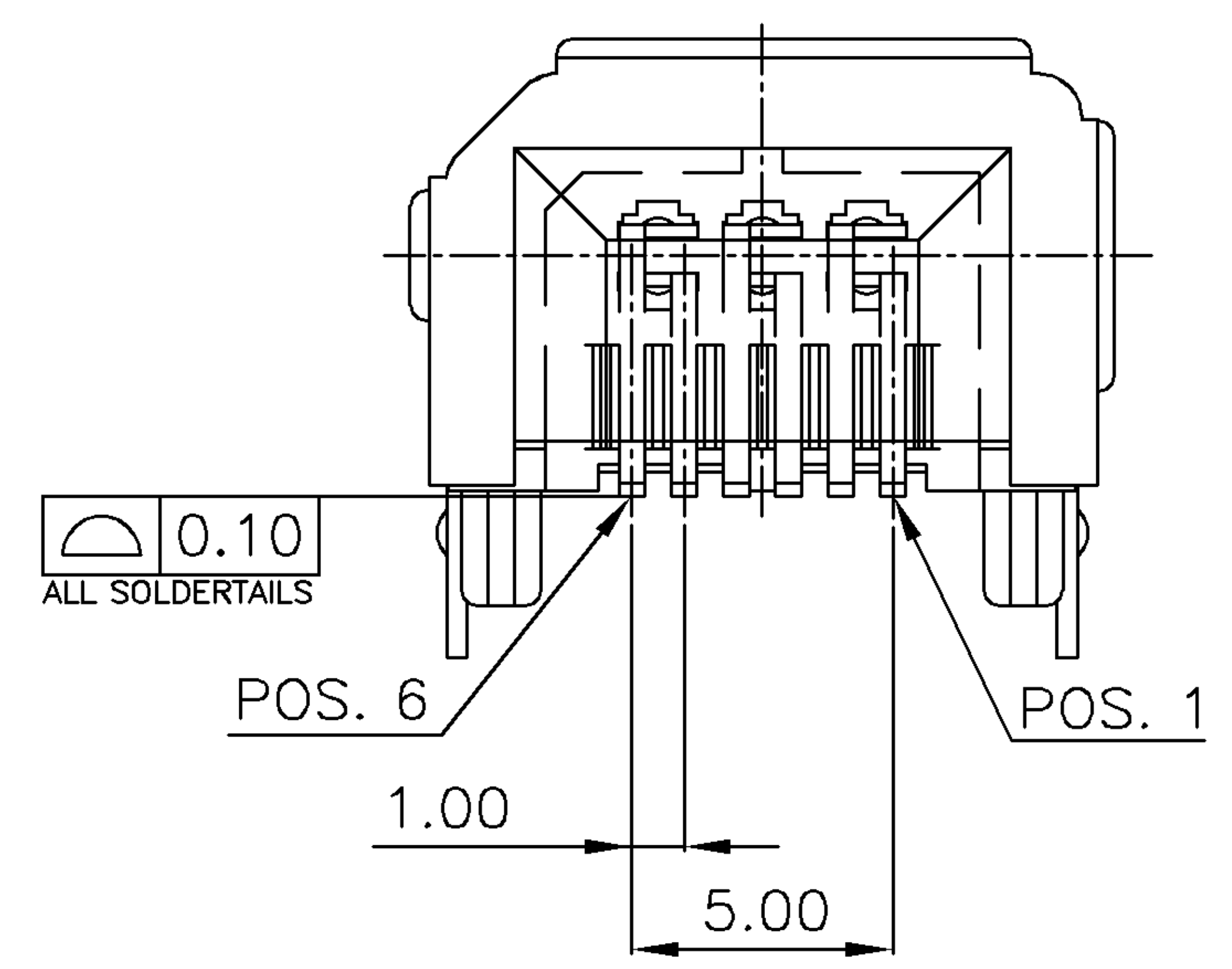
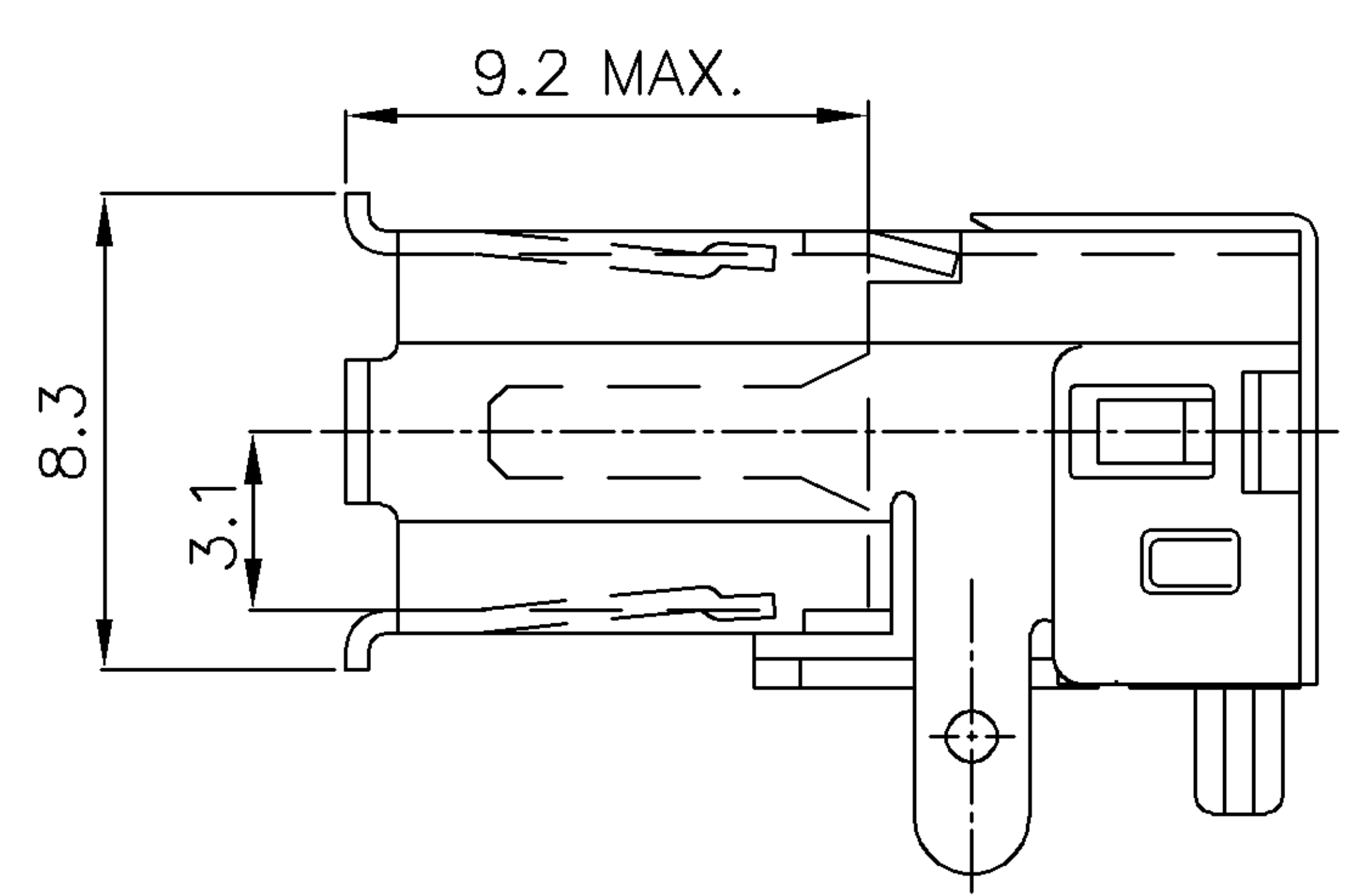
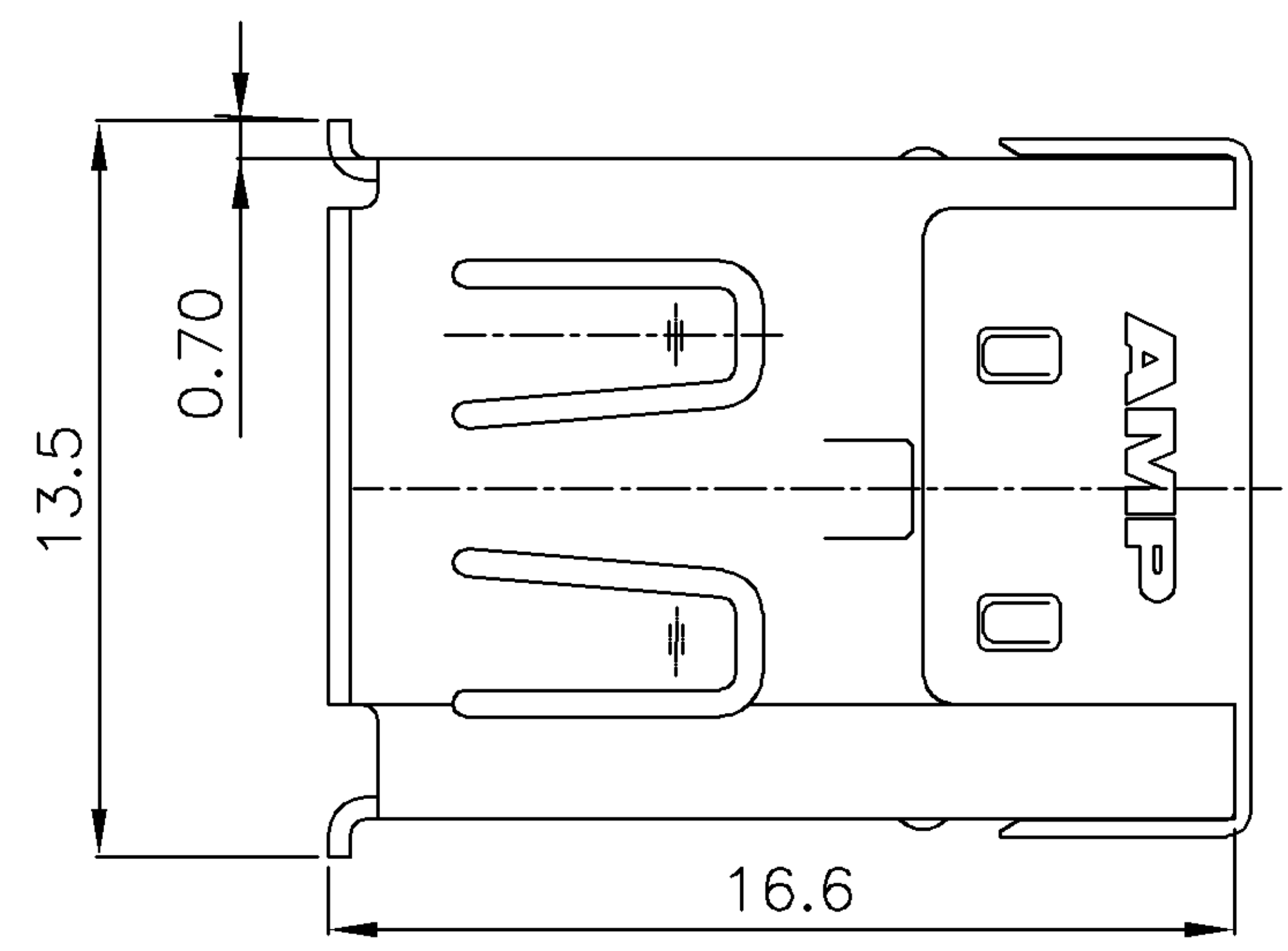
PRINT DIST
DW

NUMBER
C-1734368

METRIC
3RD ANGLE PROJECTION



RECOMMENDED PCB LAYOUT
PCB THICKNESS=1.57mm



NOTES:

- MATERIAL:
HOUSING: THERMOPLASTIC HIGH TEMP., GLASS FIBER FILLED.
UL 94V-0 RATED, COLOR: SEE TABLE.
CONTACT: BRASS, THICKNESS=0.25mm.
SHELL: PHOSPHOR BRONZE, THICKNESS=0.40mm.
BACK SHELL: STEEL, THICKNESS=0.30mm.
- FINISH :
CONTACT: 30 μ" MIN. GOLD PLATING ON CONTACT AREA,
120 μ" MIN. TIN-Cu PLATING ON SOLDER TAILS,
50 μ" MIN. NICKEL UNDERPLATING OVERALL.
SHELL: 100 μ" MIN. NICKEL PLATING OVER 100 μ" MIN. Cu UNDERPLATED.
BACK SHELL: 100 μ" MIN. NICKEL PLATING OVER 100 μ" MIN. Cu UNDERPLATED.
- REFLOW SOLDER CAPABLE TO 260°C PER TYCO SPEC 109-201, CONDITION B.

REEL	NATURAL	1-1734368-2
	BLACK	1-1734368-1
TUBE	NATURAL	1734368-2
	BLACK	1734368-1
PACKAGE	HSG. COLOR	PART NUMBER

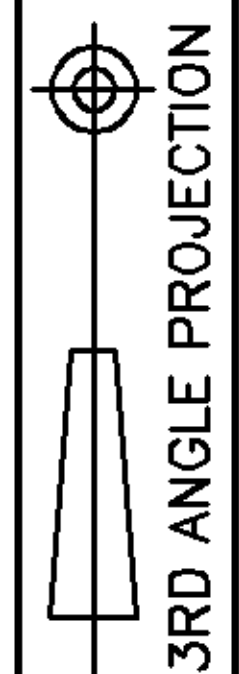
TOLERANCES UNLESS OTHERWISE SPECIFIED: 0 PLC ± 0.50 1 PLC ± 0.38 2 PLC ± 0.25 3 PLC ± 0.05 ANGLES ± 3'		DWN O. HU 25-MAY-2005	TYCO HOLDINGS (BERMUDA) VII LTD. TAIWAN BRANCH	
MATERIAL SEE NOTE		CHK S. HOU 25-MAY-2005	NAME	
FINISH SEE NOTE		APVD W.J. KE 25-MAY-2005	SOCKET ASSEMBLY, RIGHT ANGLE 6 POS. FLAT SMT, IEEE 1394	
QUALIFICATION TEST REPORT 501-57651		LOC DW	SIZE A ₃	DRAWING NO C-1734368
WEIGHT 2.25g		SCALE --		REV O
		SHEET 1 OF 3		

o	FIRST RELEASED	OH	27MAY
		AW	2005
LTR	REVISION RECORD	DWN	DATE
		CHK	

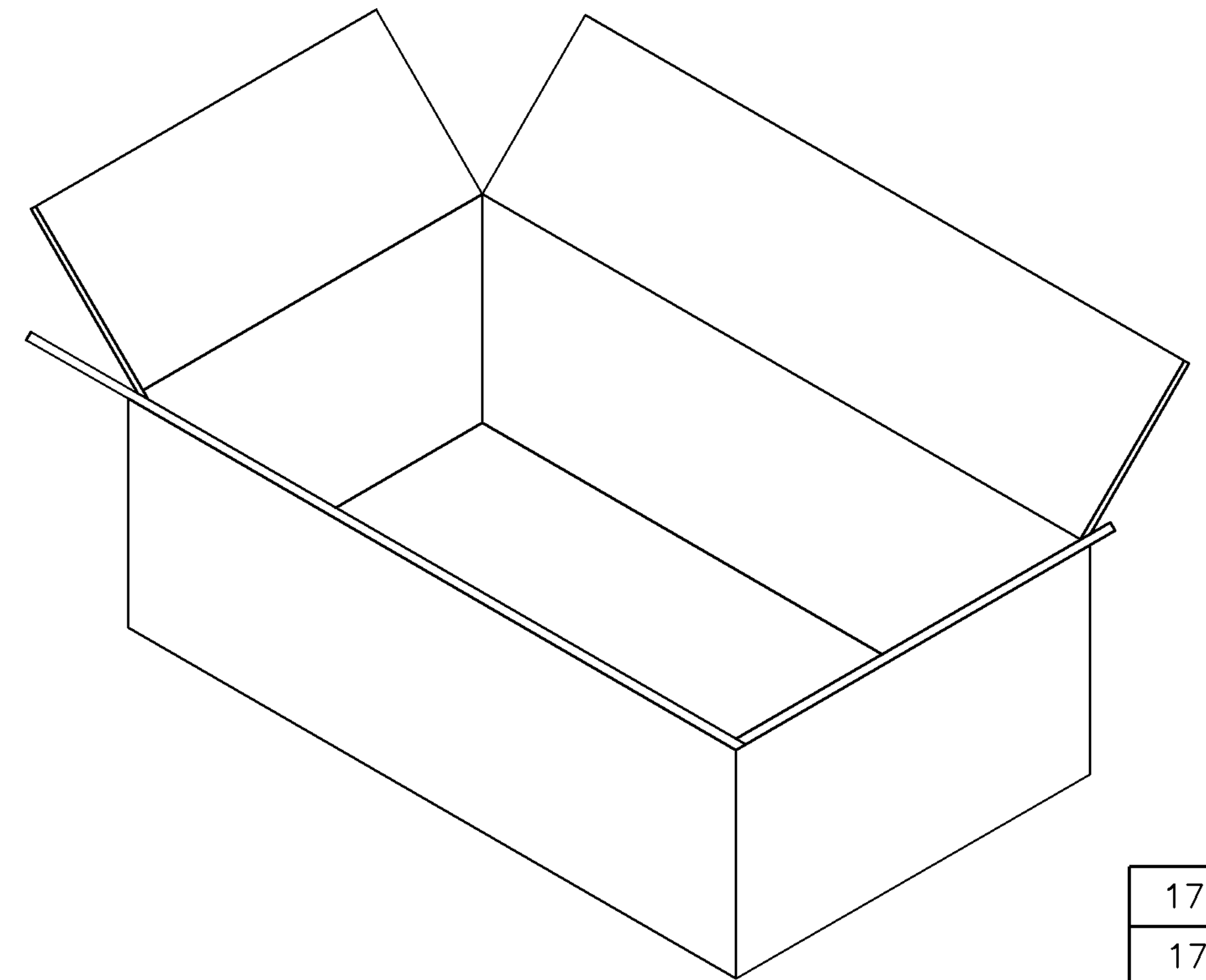
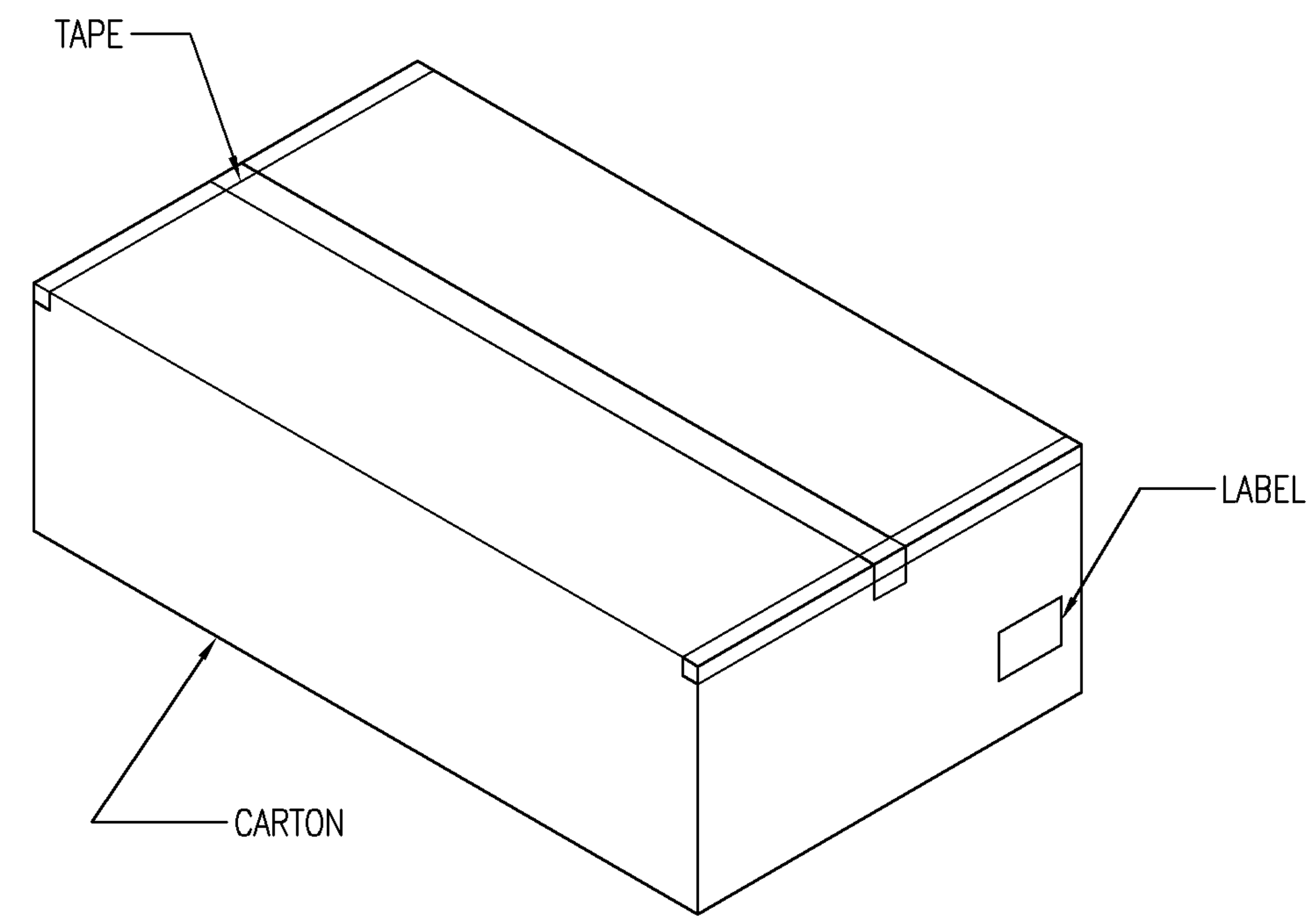
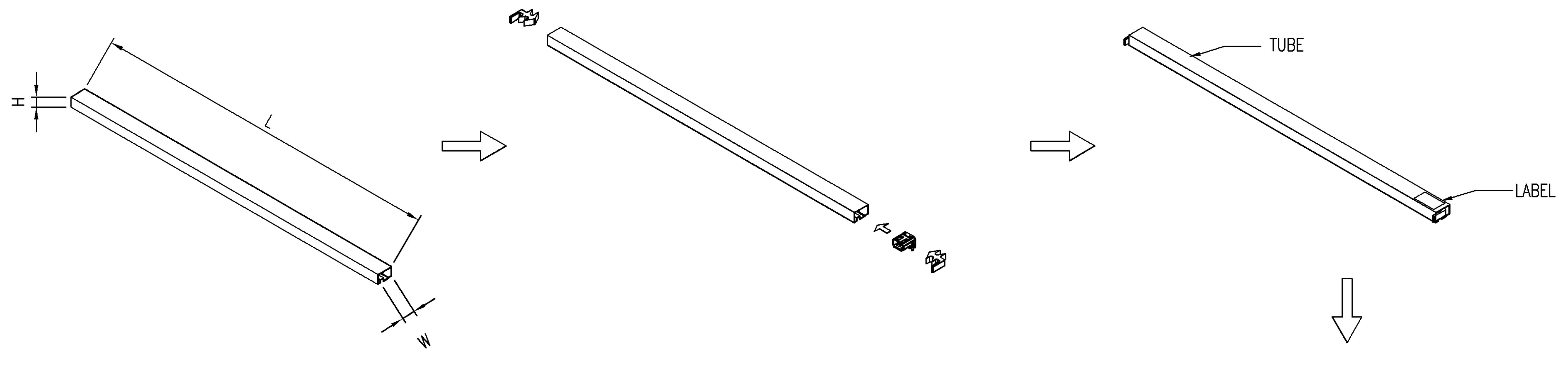
THIS INFORMATION IS CONFIDENTIAL AND IS DISCLOSED TO YOU ON CONDITION THAT NO FURTHER DISCLOSURE IS MADE BY YOU TO OTHER THAN AMP PERSONNEL WITHOUT WRITTEN AUTHORIZATION FROM AMP (TAIWAN) LTD. DIMENSIONS IN MILLIMETERS. DO NOT SCALE PRINT.

PRINT DIST
DW

METRIC



NUMBER
C-1734368



- NOTE:
- MATERIAL:
TUBE : PS.
SHIPPING CARTON : CORRUGATED FIBERBOARD.
 - DIMENSION:
TUBE : L=400, W=19.9, H=16.5mm.
SHIPPING CARTON : L=419.1, W=162.4, H=162.4mm.
 - QUANTITY:
PRIMARY PACKING : 29 PCS/TUBES
SECONDARY PACKING : 40 TUBES/CARTON(1160PCS).
 - WEIGHT:
NET WEIGHT : 2.6kg.
GROSS WEIGHT : 3.8kg.

1734368-2
1734368-1
PART NUMBER

TOLERANCES UNLESS OTHERWISE SPECIFIED: 0 PLC ± 1 PLC ± 2 PLC ± 3 PLC ± ANGLES ±	DWN	O. HU	tyco TYCO HOLDINGS (BERMUDA) Electronics VII LTD. TAIWAN BRANCH			
		25-MAY-2005				
MATERIAL SEE SHEET 1.	CHK	S. HOU	NAME SOCKET ASSEMBLY, RIGHT ANGLE 6 POS. FLAT SMT, IEEE 1394			
		25-MAY-2005				
FINISH SEE SHEET 1.	APVD	W.J. KE	LOC	SIZE	DRAWING NO	REV
		25-MAY-2005	DW	A ₃	C-1734368	O
	QUALIFICATION TEST REPORT		SCALE	SHEET		
	WEIGHT		--	2 OF 3		

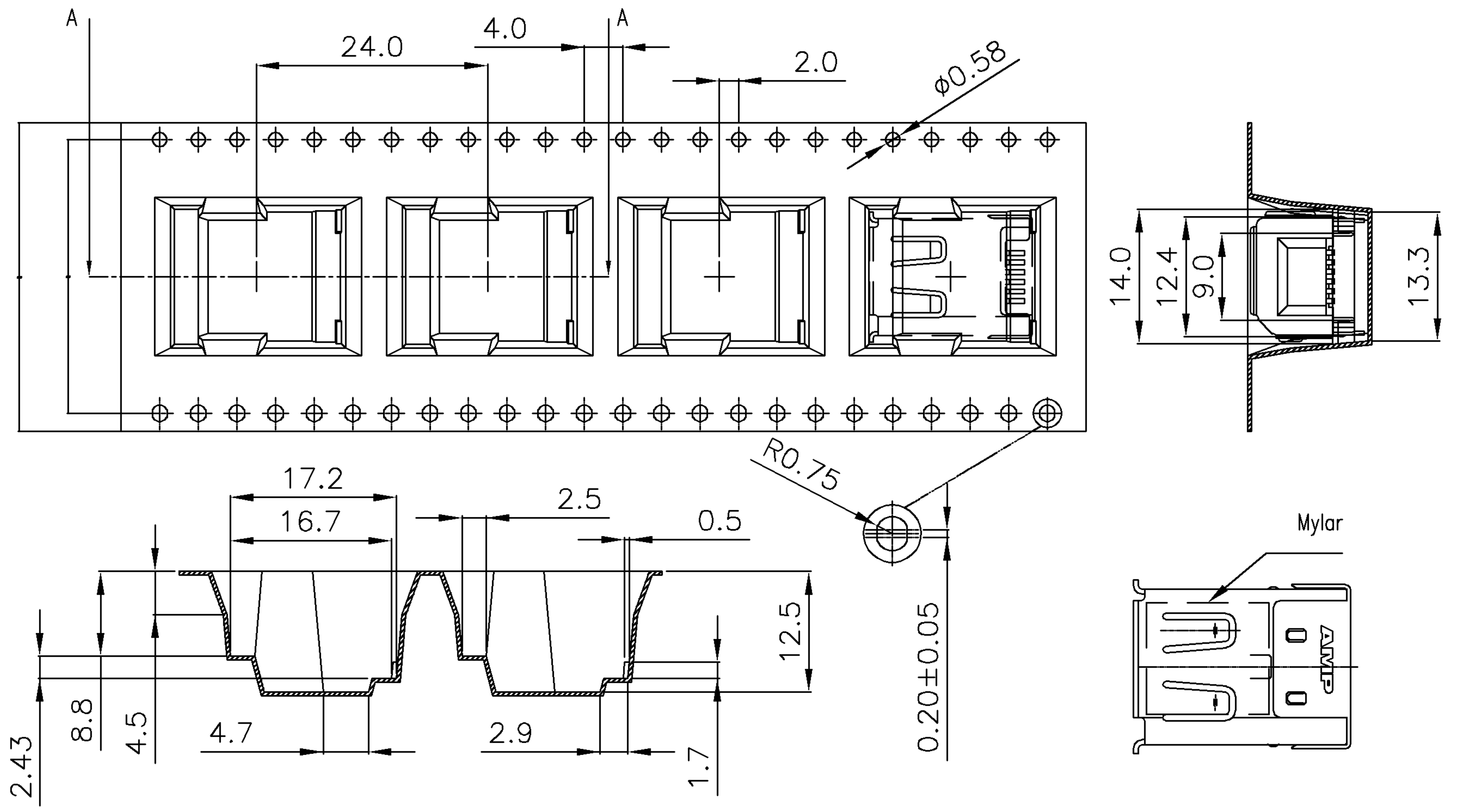
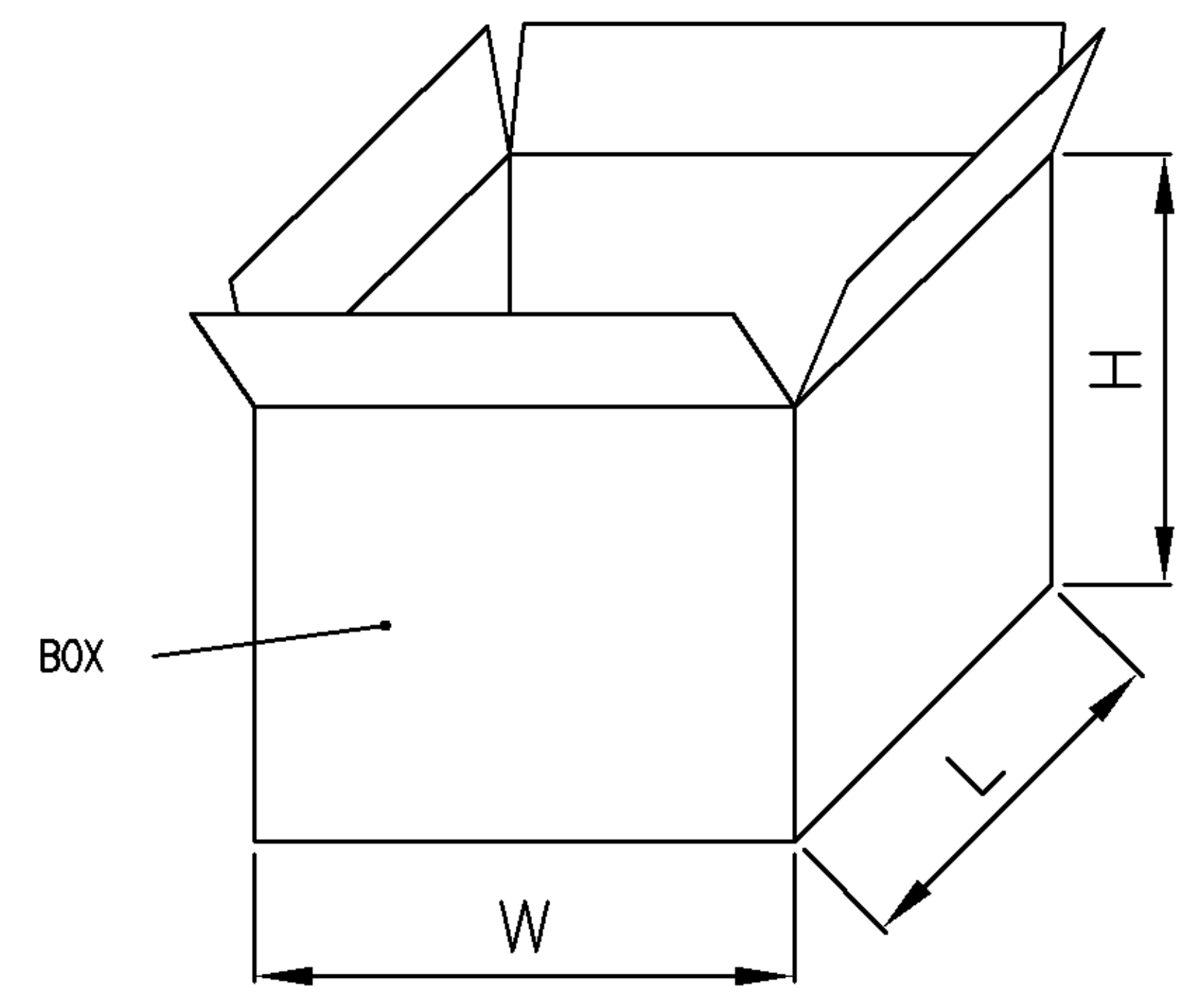
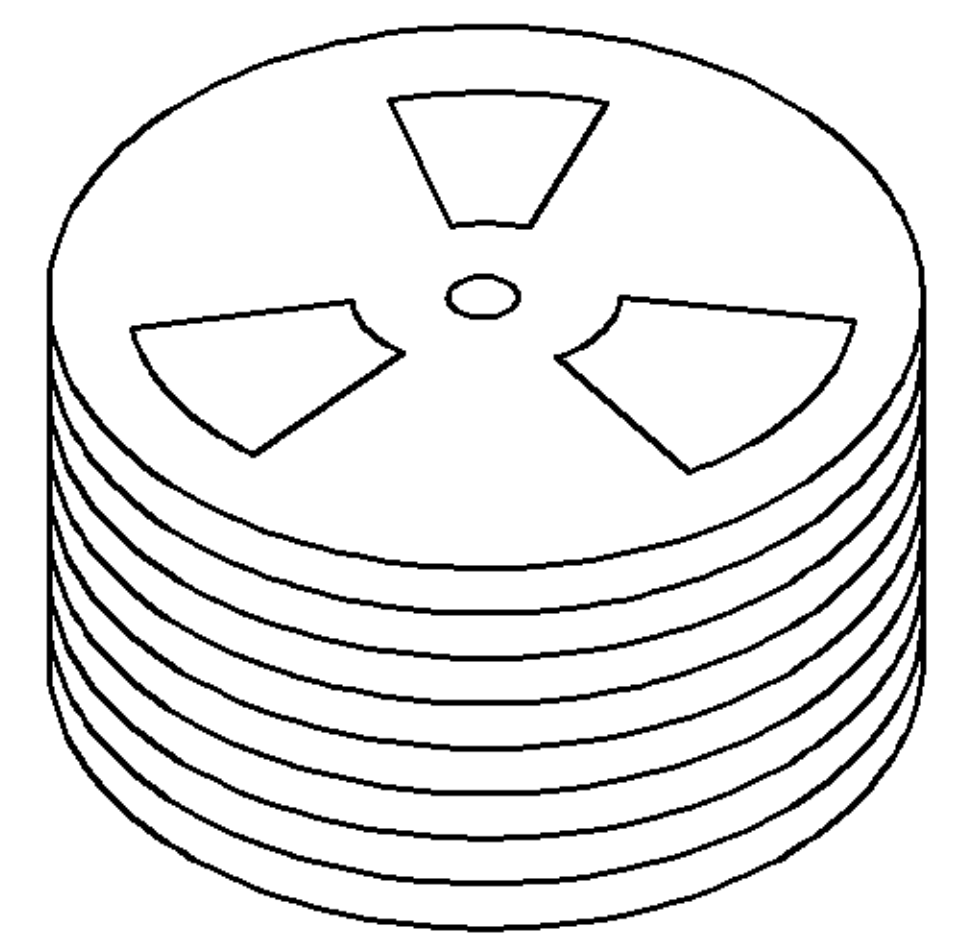
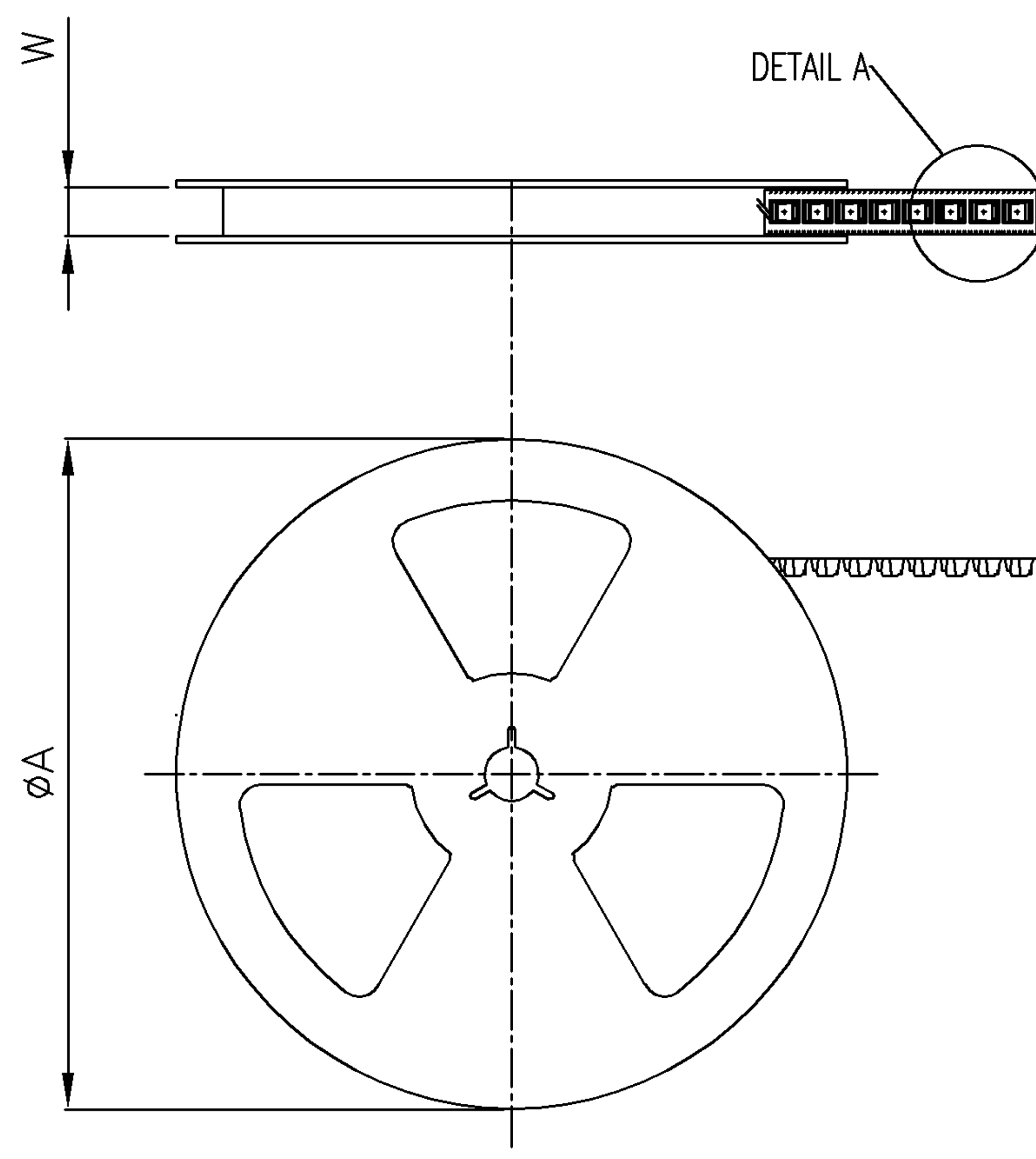
SEE SHEET 1.	ECN	DWN	CHK	DATE
LTR	REVISION RECORD			

THIS INFORMATION IS CONFIDENTIAL AND IS DISCLOSED TO YOU ON CONDITION THAT NO FURTHER DISCLOSURE IS MADE BY YOU TO OTHER THAN AMP PERSONNEL WITHOUT WRITTEN AUTHORIZATION FROM AMP (TAIWAN) LTD. DIMENSIONS IN MILLIMETERS. DO NOT SCALE PRINT.

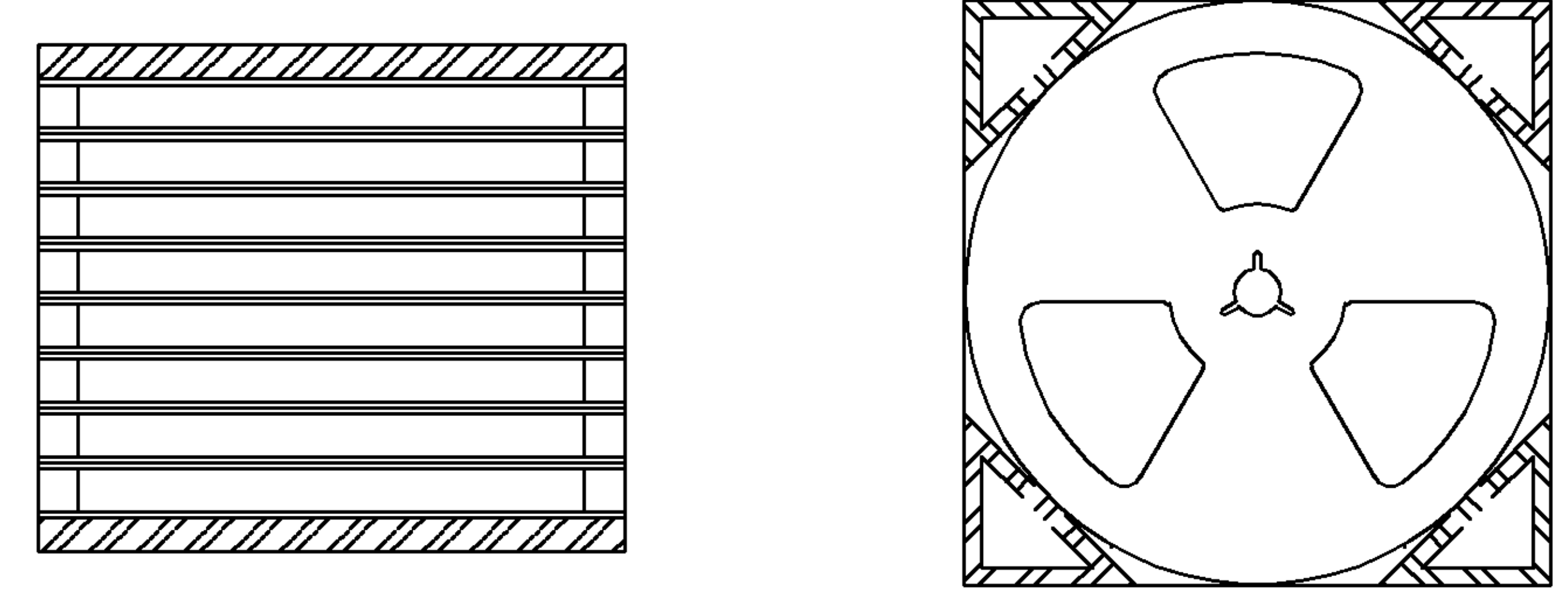
NUMBER
C-1734368

METRIC
3RD ANGLE PROJECTION

PRINT DIST
DW



SECTION A-A



PACKING BOX

- NOTE:
- MATERIAL:
EMBOSSED CARRIER :PS .
COVER TAPE : PET.
SHIPPING CARTON : CORRUGATED FIBERBOARD.
 - DIMENSION:
REEL : W=32, $\phi A=330$ mm.
SHIPPING CARTON : L=348, W=348, H=340mm.
 - QUANTITY:
PRIMARY PACKING : 200 PCS/REEL.
SECONDARY PACKING : 8 REEL/CARTON(1,600PCS).
 - WEIGHT:
NET WEIGHT : 9.5kg.
GROSS WEIGHT : 10.5kg.
 - PEELING RESISTANCE :10gf ~130gf
 - PEELING SPEED : 300 mm/minutes.

1-1734368-2
1-1734368-1
PART NUMBER

TOLERANCES UNLESS OTHERWISE SPECIFIED: 0 PLC ± 1 PLC ± 2 PLC ± 3 PLC ± ANGLES ±		DWN O. HU 25-MAY-2005	TYCO HOLDINGS (BERMUDA) VII LTD. TAIWAN BRANCH NAME	
MATERIAL SEE SHEET 1.		CHK S. HOU 25-MAY-2005	SOCKET ASSEMBLY, RIGHT ANGLE 6 POS. FLAT SMT, IEEE 1394	
FINISH SEE SHEET 1.		APVD W.J. KE 25-MAY-2005	LOC DW	REV O
		QUALIFICATION TEST REPORT	SIZE A ₃	DRAWING NO C-1734368
		WEIGHT	SCALE --	SHEET 3 OF 3

SEE SHEET 1.	ECN	DWN	CHK	DATE
LTR	REVISION RECORD			