



Chipsmall Limited consists of a professional team with an average of over 10 year of expertise in the distribution of electronic components. Based in Hongkong, we have already established firm and mutual-benefit business relationships with customers from,Europe,America and south Asia,supplying obsolete and hard-to-find components to meet their specific needs.

With the principle of “Quality Parts,Customers Priority,Honest Operation,and Considerate Service”,our business mainly focus on the distribution of electronic components. Line cards we deal with include Microchip,ALPS,ROHM,Xilinx,Pulse,ON,Everlight and Freescale. Main products comprise IC,Modules,Potentiometer,IC Socket,Relay,Connector.Our parts cover such applications as commercial,industrial, and automotives areas.

We are looking forward to setting up business relationship with you and hope to provide you with the best service and solution. Let us make a better world for our industry!



Contact us

Tel: +86-755-8981 8866 Fax: +86-755-8427 6832

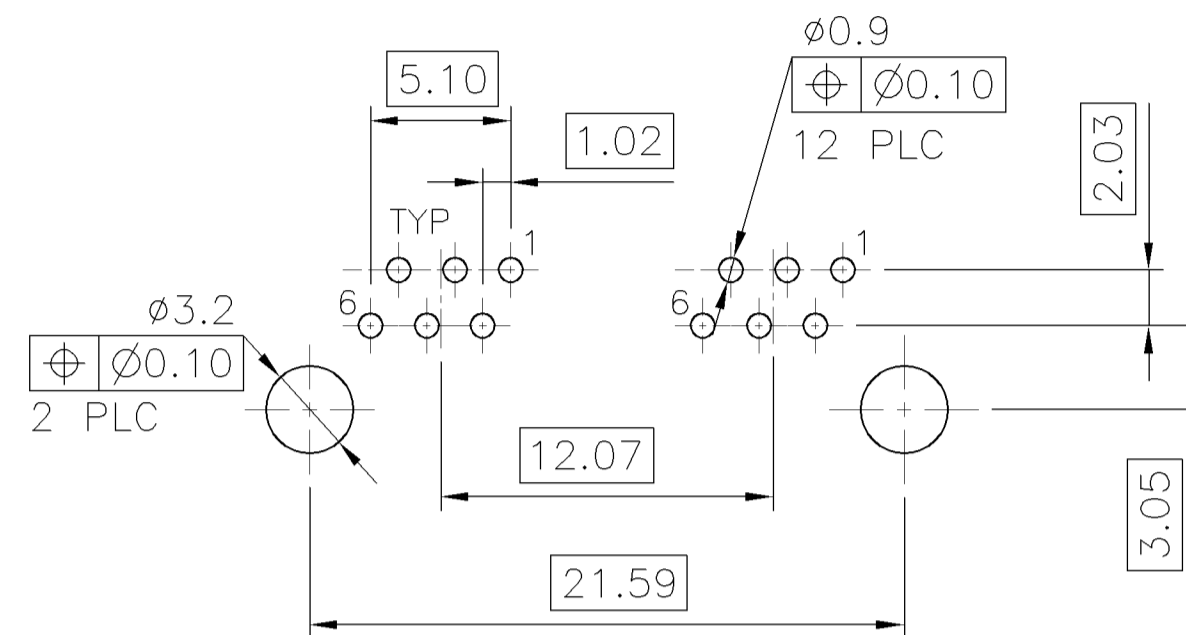
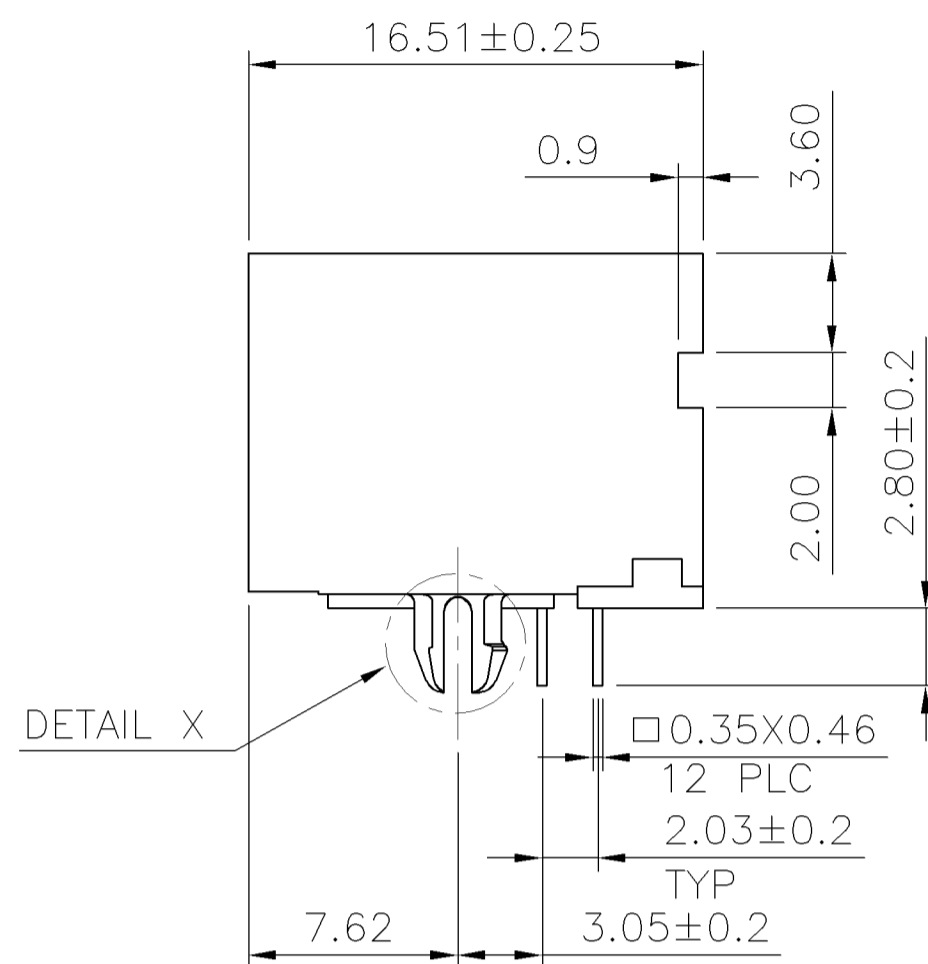
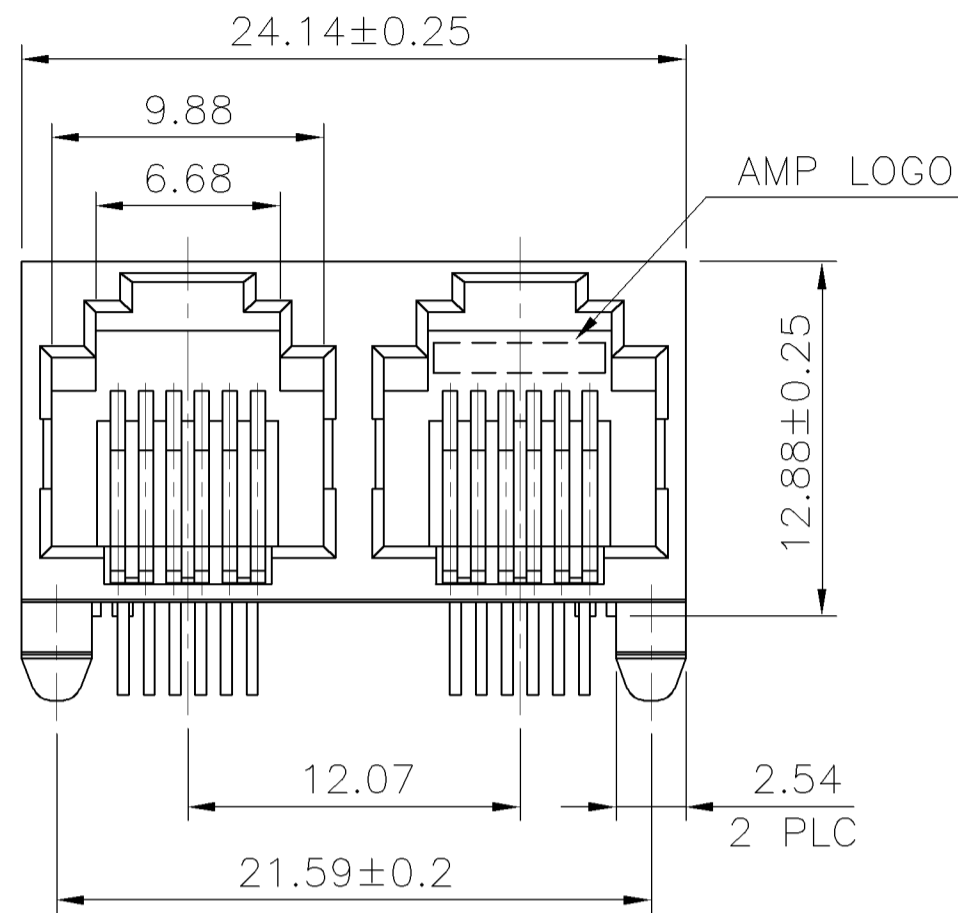
Email & Skype: info@chipsmall.com Web: www.chipsmall.com

Address: A1208, Overseas Decoration Building, #122 Zhenhua RD., Futian, Shenzhen, China

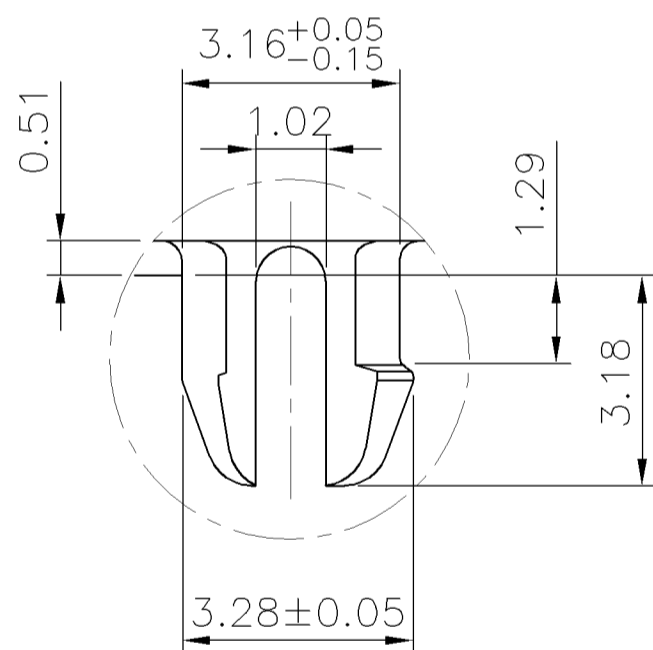
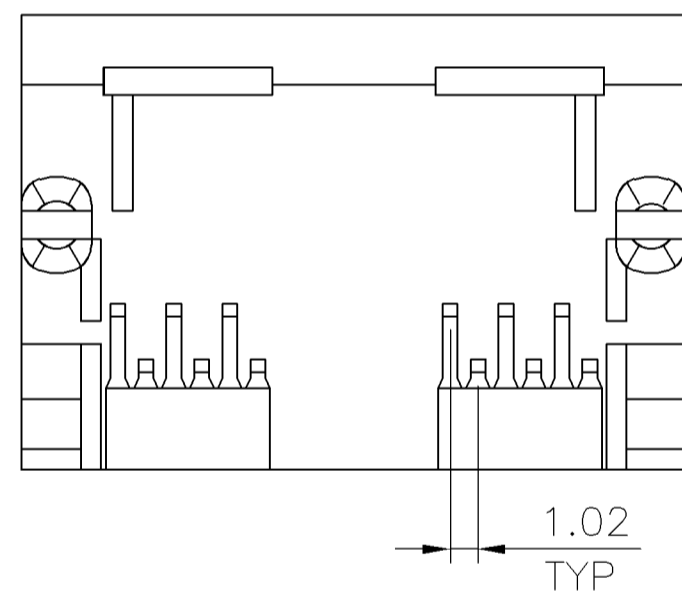


THIS DRAWING IS UNPUBLISHED. RELEASED FOR PUBLICATION
 © COPYRIGHT BY TYCO ELECTRONICS CORPORATION. ALL RIGHTS RESERVED.

LOC DW	DIST —	REVISIONS		
P	LTR	DESCRIPTION	DATE	DWN
	A	RELEASED	04MAY07	OH
				APVD WK



RECOMMENDED PCB LAYOUT (THICKNESS: 1.2mm)
 DIMENSION TOLERANCE: (1 PLC: ±0.1 2PLC: ±0.05)



DETAIL X

NOTE:

- MATERIAL:
HOUSING: PA46 WITH 30% GF, UL 94V-0, BLACK COLOR.
CONTACTS: PHOSPHOR BRONZE.
- FINISH:
CONTACTS: SELECTIVE GOLD PLATED (SEE TABLE) ON CONTACT AREA,
GOLD FLASH ON SOLDER TAIL, WITH ENTIRE CONTACT
UNDERPLATED 1.27µm [50µ"] MIN. NICKEL.
- WAVE SOLDER CAPABLE TO 265°C PER TYCO TEST SPEC.
109-202, CONDITION B.

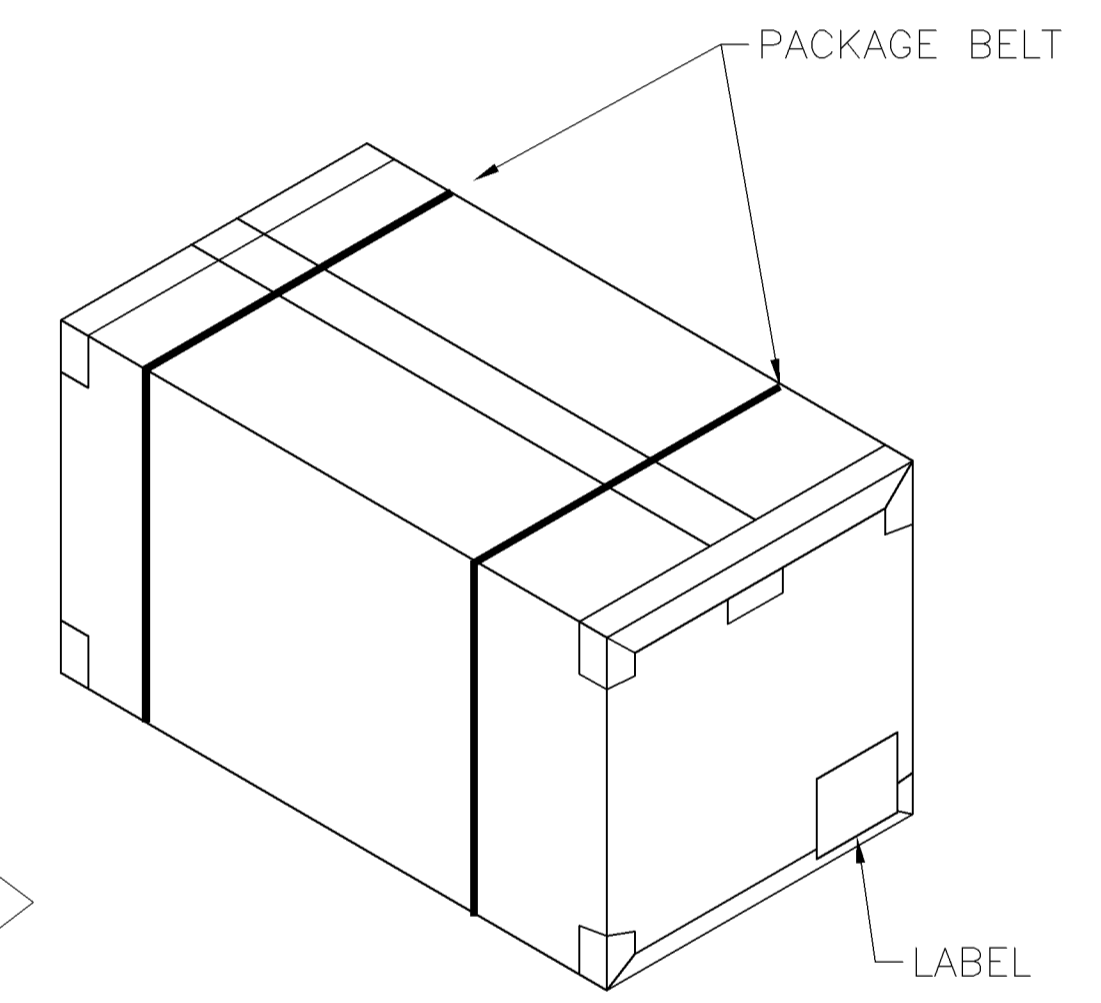
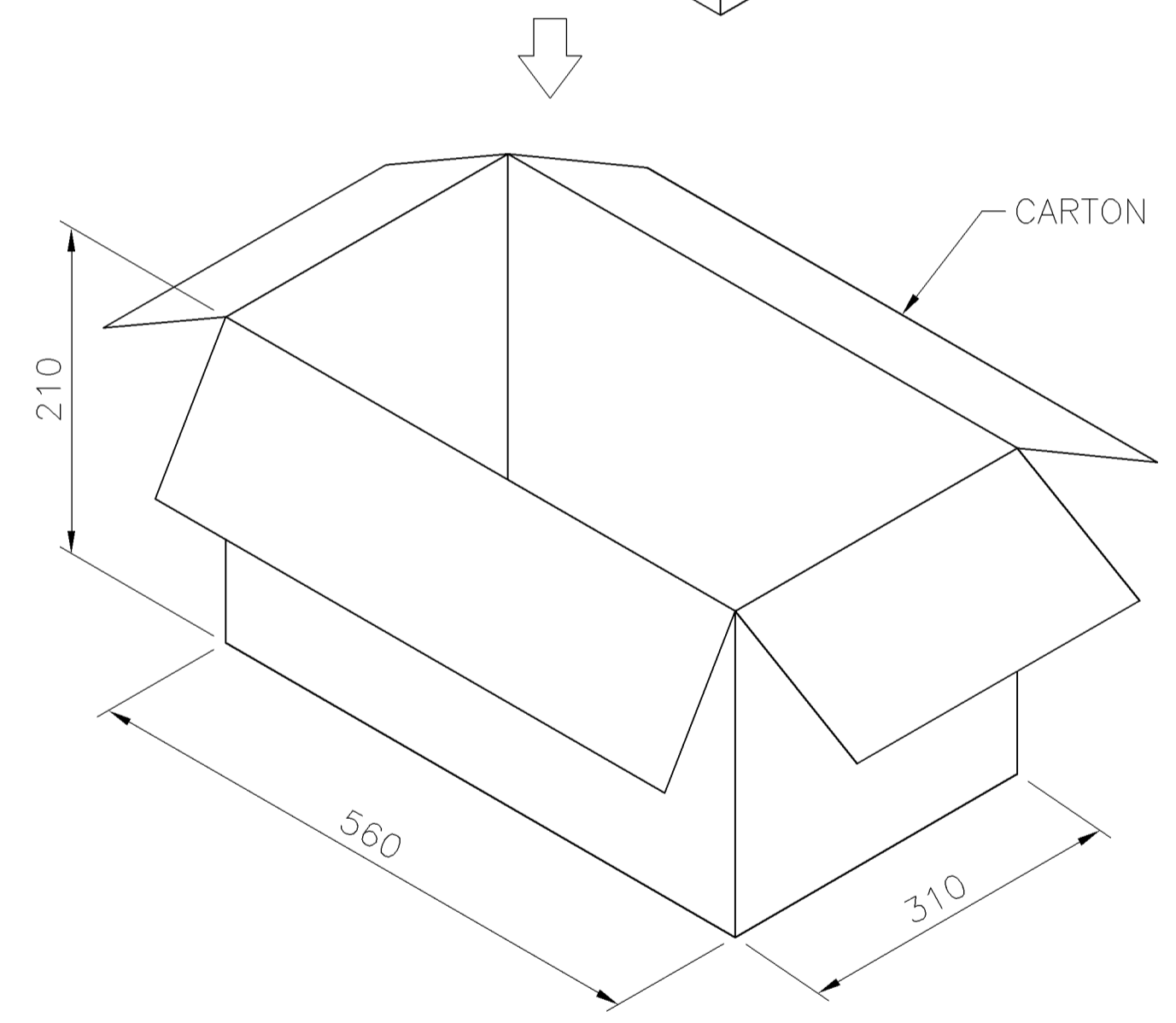
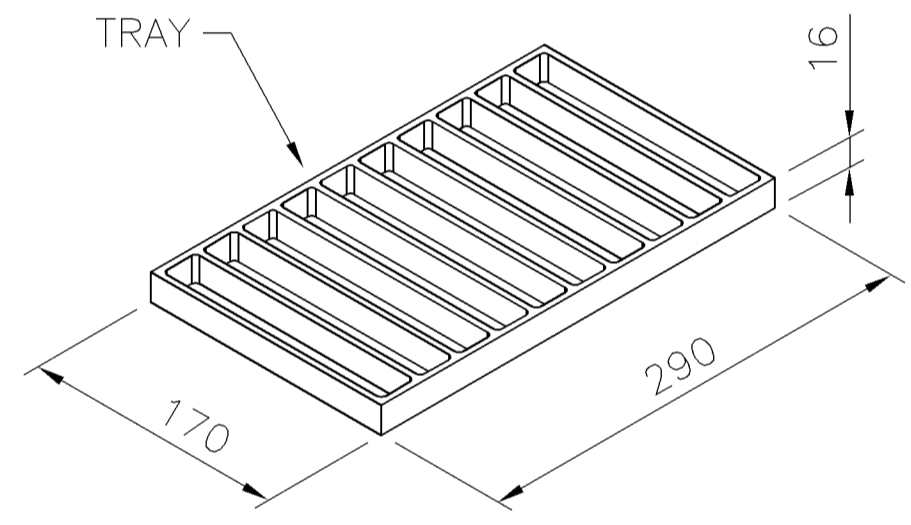
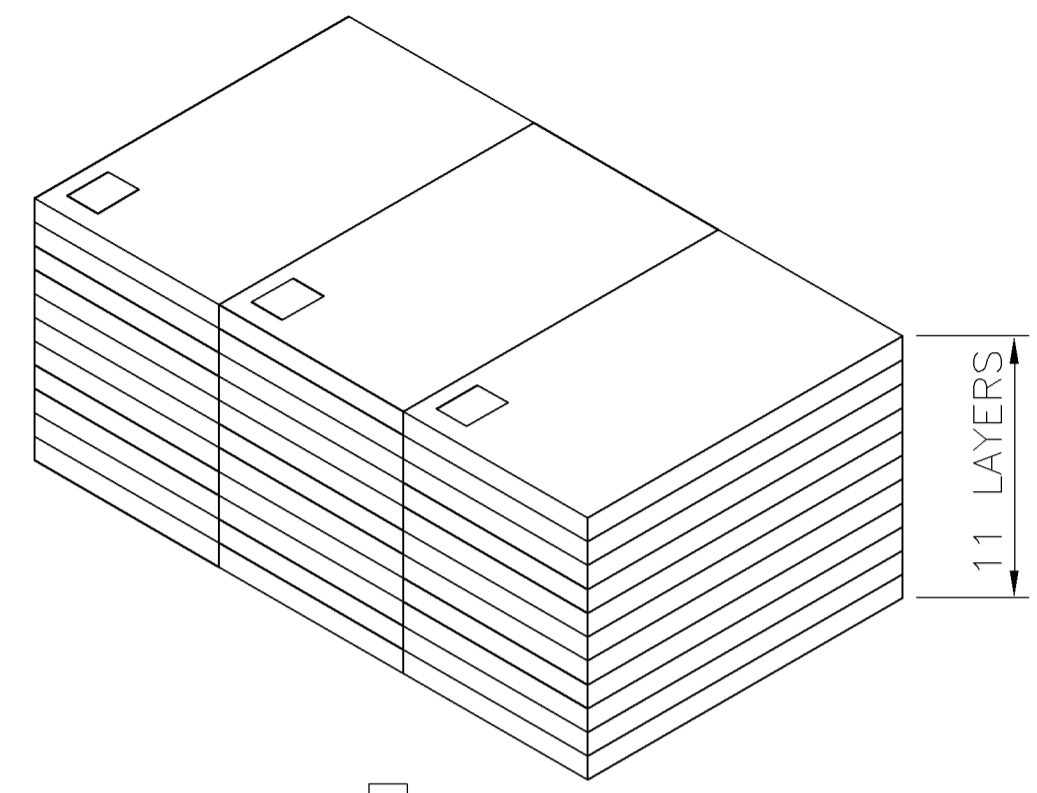
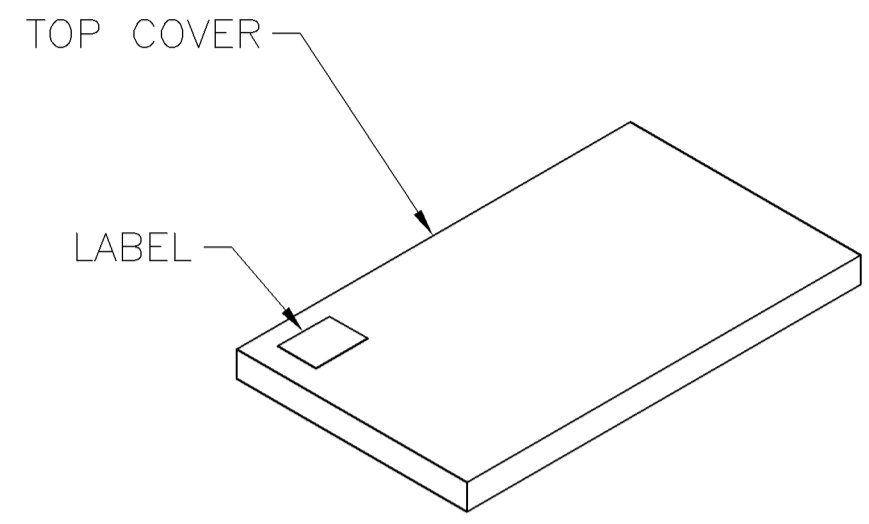
HOUSING COLOR	NO. OF CONTACTS	MIN. GOLD THICKNESS	PART NUMBER	HOUSING COLOR	NO. OF CONTACTS	MIN. GOLD THICKNESS	PART NUMBER
GREEN	6	1.37µm [50µ"]	3-1734479-4	BLACK	6	1.37µm [50µ"]	1-1734479-4
	6	0.762µm [30µ"]	3-1734479-3		6	0.762µm [30µ"]	1-1734479-3
	6	0.381µm [15µ"]	3-1734479-2		6	0.381µm [15µ"]	1-1734479-2
	6	0.152µm [6µ"]	3-1734479-1		6	0.152µm [6µ"]	1-1734479-1
	4	1.37µm [50µ"]	2-1734479-4		4	1.37µm [50µ"]	1734479-4
	4	0.762µm [30µ"]	2-1734479-3		4	0.762µm [30µ"]	1734479-3
	4	0.381µm [15µ"]	2-1734479-2		4	0.381µm [15µ"]	1734479-2
	4	0.152µm [6µ"]	2-1734479-1		4	0.152µm [6µ"]	1734479-1

THIS DRAWING IS A CONTROLLED DOCUMENT.

DWN O. HU	03MAY2007	Tyco Electronics Corporation Taipei, Taiwan
CHK S. HOU	03MAY2007	
APVD W.J. KE	03MAY2007	
PRODUCT SPEC		
DIMENSIONS: MM 		NAME MODULAR JACK RJ11, DOUBLE-PORT, SIDE ENTRY, THROUGH-HOLE, LOW PROFILE
TOLERANCES UNLESS OTHERWISE SPECIFIED: 0 PLC ± 0.50 1 PLC ± 0.38 2 PLC ± 0.25 3 PLC ± 0.10 4 PLC ± - ANGLES ± -		QUALIFICATION TEST REPORT 108-57535
MATERIAL SEE NOTE		FINISH SEE NOTE
WEIGHT 3.5 GRAMS		SIZE A3
CUSTOMER DRAWING		CAGE CODE 00779
DRAWING NO 1734479		RESTRICTED TO -
SCALE -		SHEET 1 OF 2
REV A		

THIS DRAWING IS UNPUBLISHED. RELEASED FOR PUBLICATION
 © COPYRIGHT BY TYCO ELECTRONICS CORPORATION. ALL RIGHTS RESERVED.

LOC DW	DIST —	REVISIONS			
P	LTR	DESCRIPTION	DATE	DWN	APVD
		SEE SHEET 1.			



9 Kg	7 Kg	60	33	1980 PCS
GROSS WEIGHT	NET WEIGHT	PCS/TRAY	TRAYS /CARTON	QUANTITY

THIS DRAWING IS A CONTROLLED DOCUMENT.		DWN O. HU	03MAY2007	tyco Tyco Electronics Corporation	
DIMENSIONS: MM		CHK S. HOU	03MAY2007	Taipei, Taiwan	
TOLERANCES UNLESS OTHERWISE SPECIFIED:		APVD W.J. KE	03MAY2007	NAME MODULAR JACK RJ11,DOUBLE-PORT, SIDE ENTRY, THROUGH-HOLE, LOW PROFILE	
0 PLC ± -		PRODUCT SPEC	SIZE		
1 PLC ± -		APPLICATION SPEC	CAGE CODE	DRAWING NO	RESTRICTED TO
2 PLC ± -		WEIGHT	A3 00779 C=1734479		—
3 PLC ± -		CUSTOMER DRAWING			
4 PLC ± -		SCALE		SHEET	REV
ANGLES ± -		—		2 OF 2	A
FINISH		—			