



Chipsmall Limited consists of a professional team with an average of over 10 year of expertise in the distribution of electronic components. Based in Hongkong, we have already established firm and mutual-benefit business relationships with customers from,Europe,America and south Asia,supplying obsolete and hard-to-find components to meet their specific needs.

With the principle of "Quality Parts,Customers Priority,Honest Operation,and Considerate Service",our business mainly focus on the distribution of electronic components. Line cards we deal with include Microchip,ALPS,ROHM,Xilinx,Pulse,ON,Everlight and Freescale. Main products comprise IC,Modules,Potentiometer,IC Socket,Relay,Connector.Our parts cover such applications as commercial,industrial, and automotives areas.

We are looking forward to setting up business relationship with you and hope to provide you with the best service and solution. Let us make a better world for our industry!



Contact us

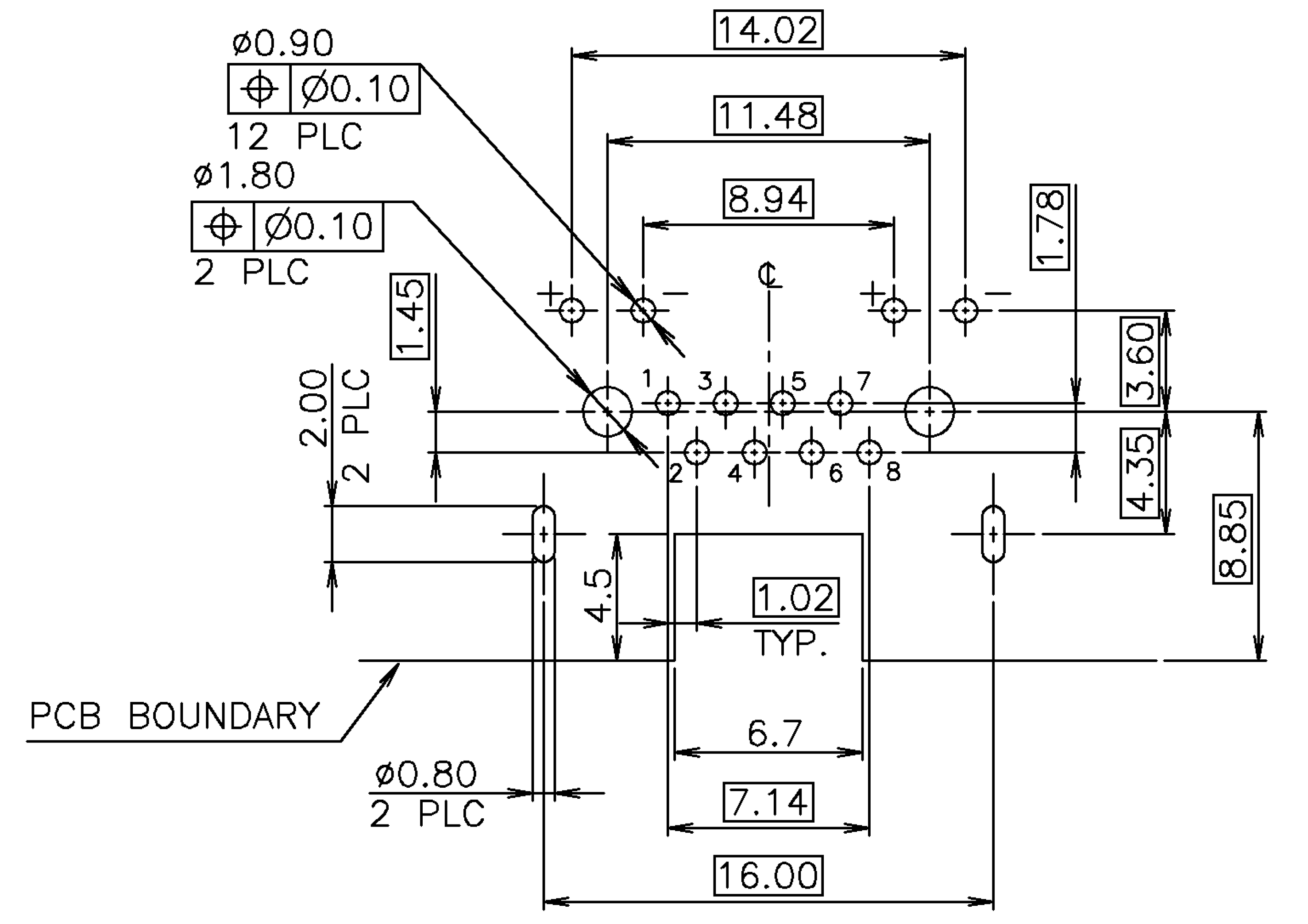
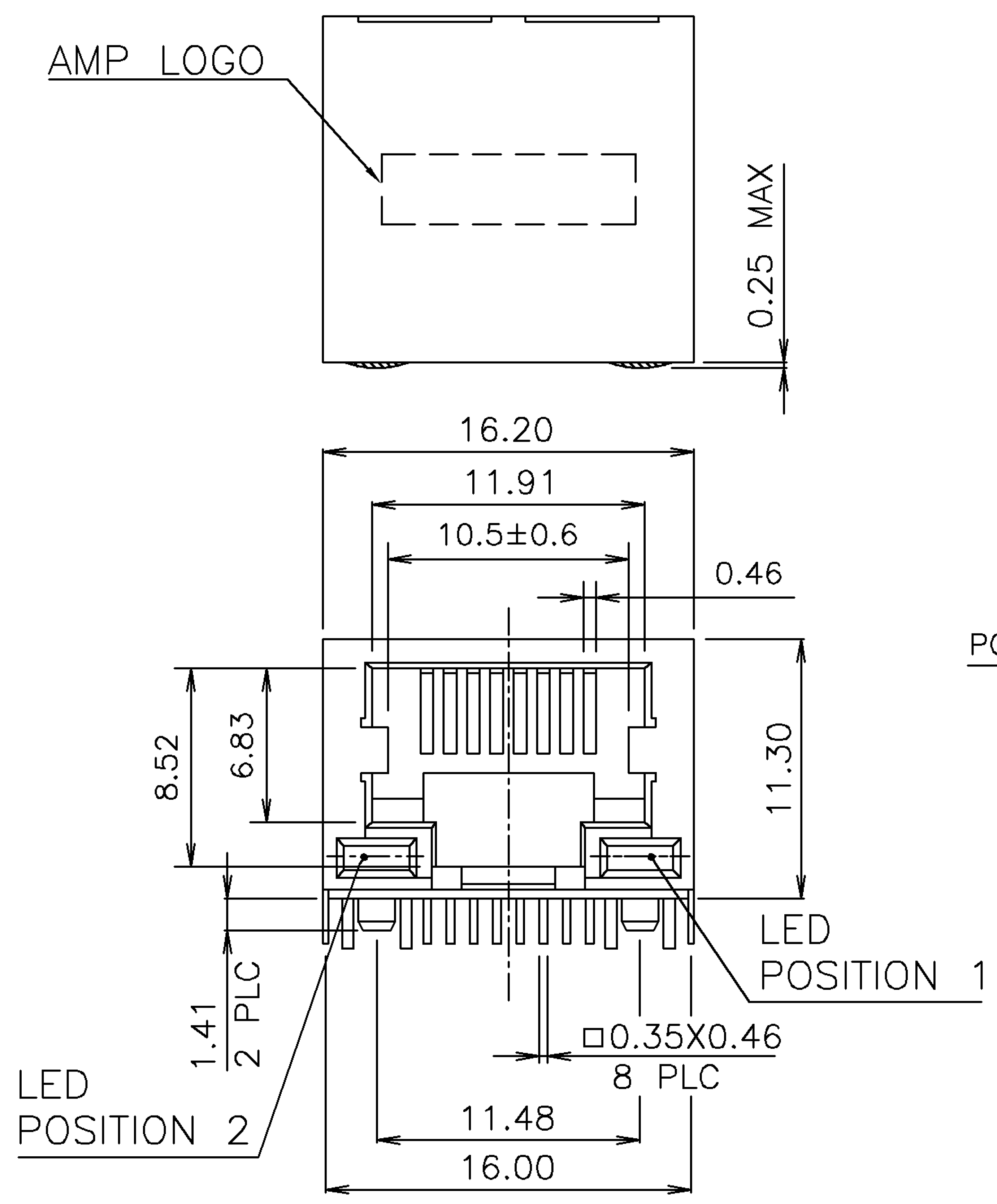
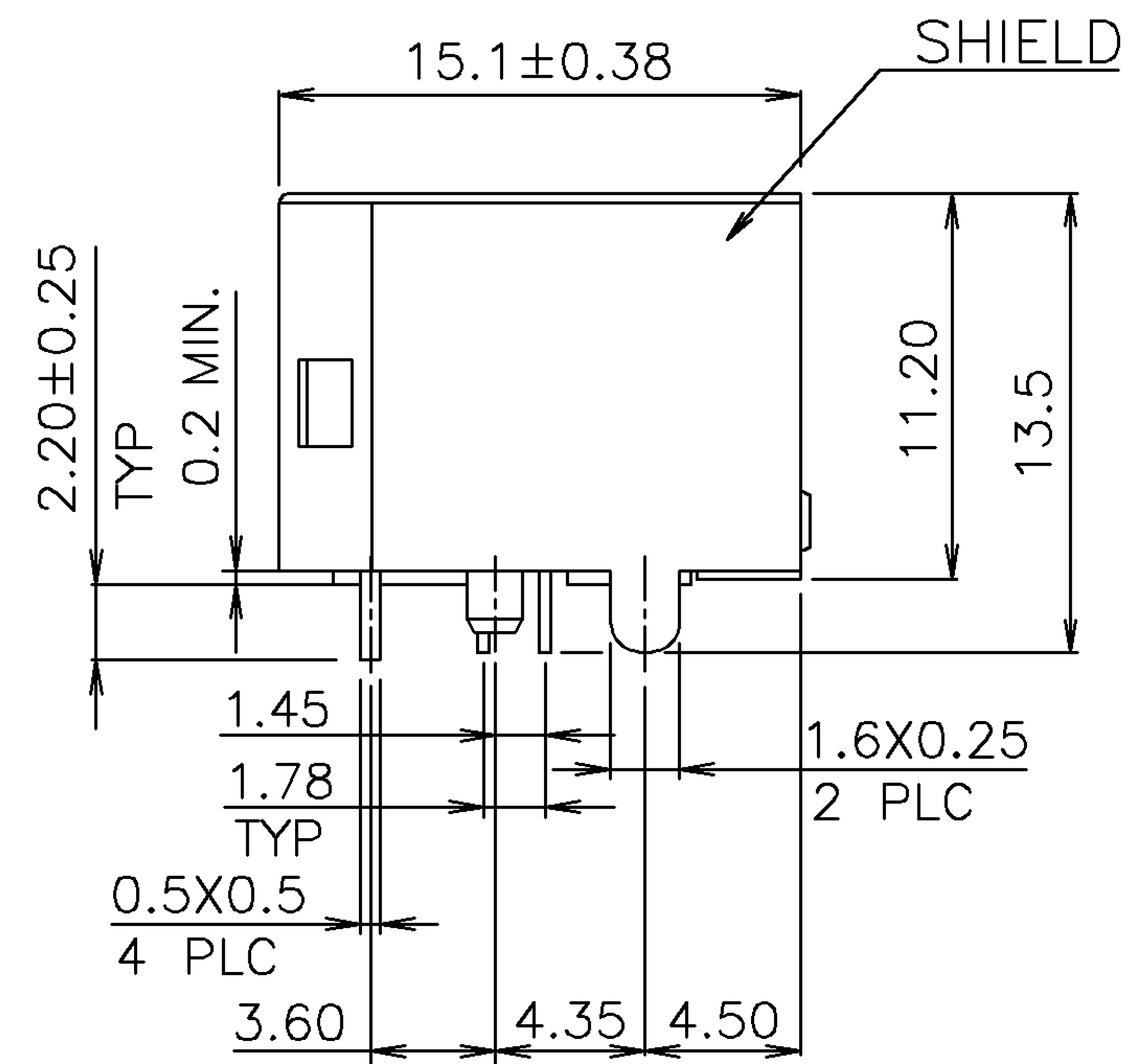
Tel: +86-755-8981 8866 Fax: +86-755-8427 6832

Email & Skype: info@chipsmall.com Web: www.chipsmall.com

Address: A1208, Overseas Decoration Building, #122 Zhenhua RD., Futian, Shenzhen, China

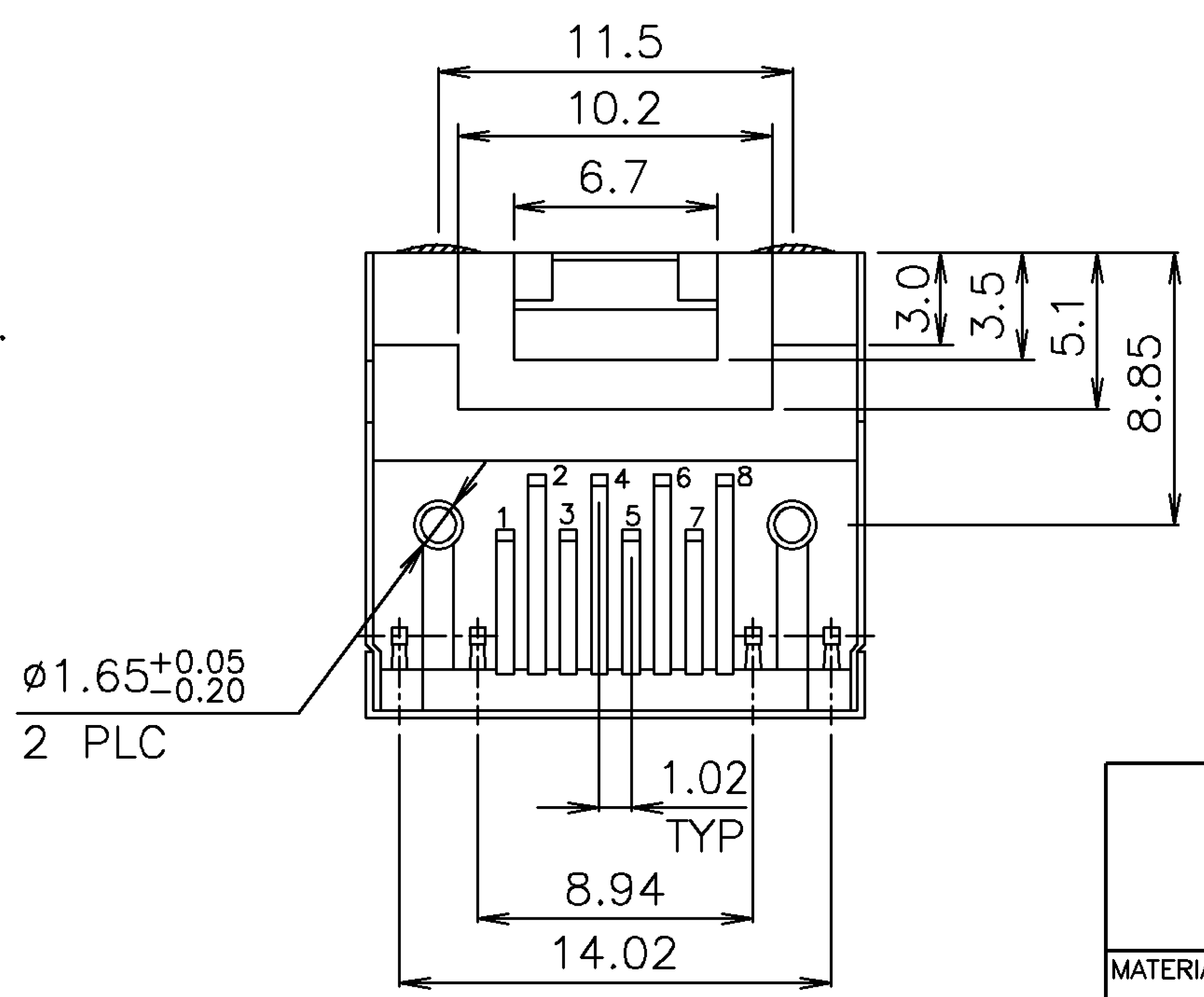


NUMBER C-1734509
 METRIC
 3RD ANGLE PROJECTION
 DIMENSIONS IN MILLIMETERS. DO NOT SCALE PRINT.
 PRINT DIST DW



RECOMMENDED PCB LAYOUT (THICKNESS: 1.6MM)
 (DIMENSION TOLERANCE: 1 PLC: ±0.1, 2 PLC: ±0.05)

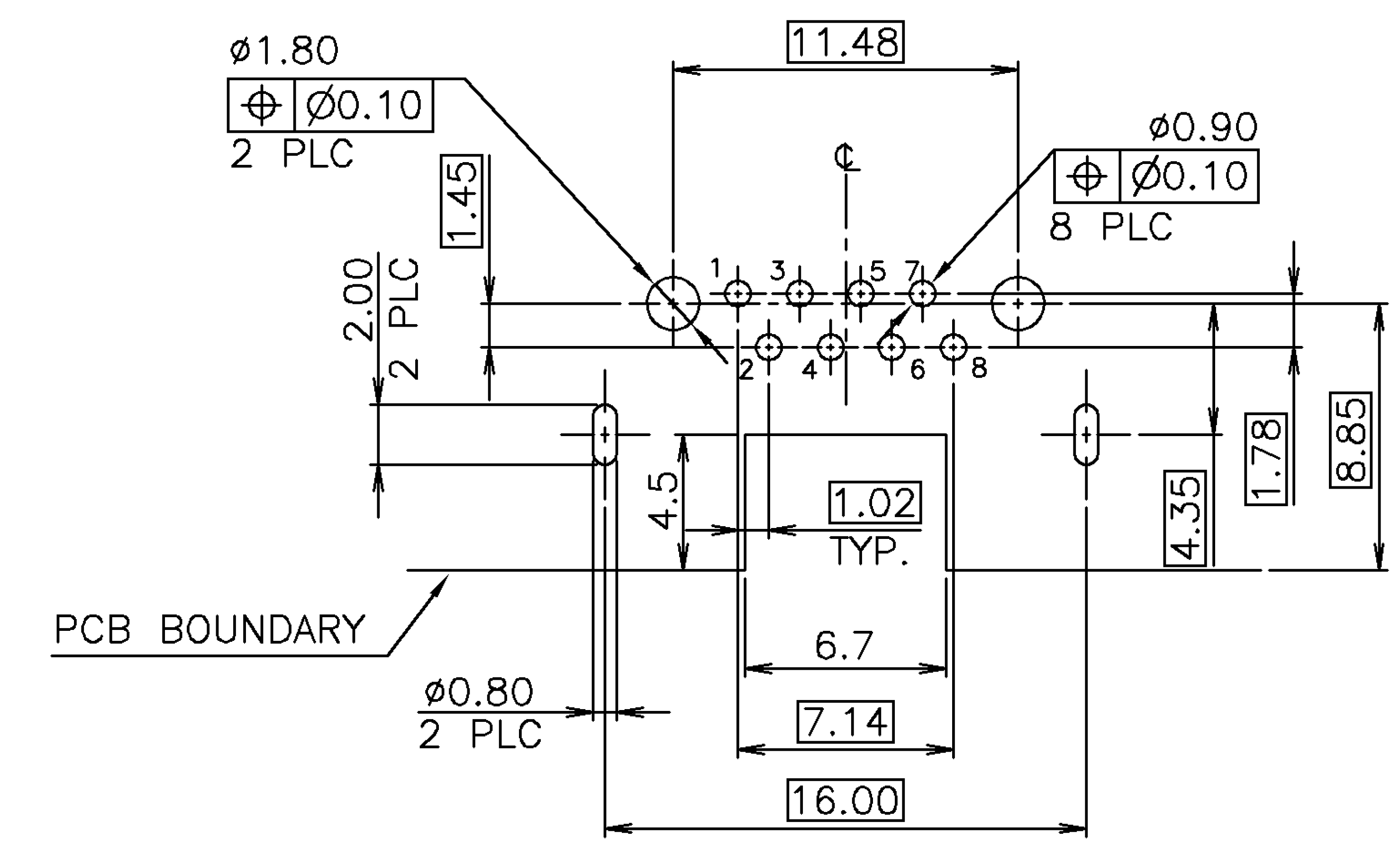
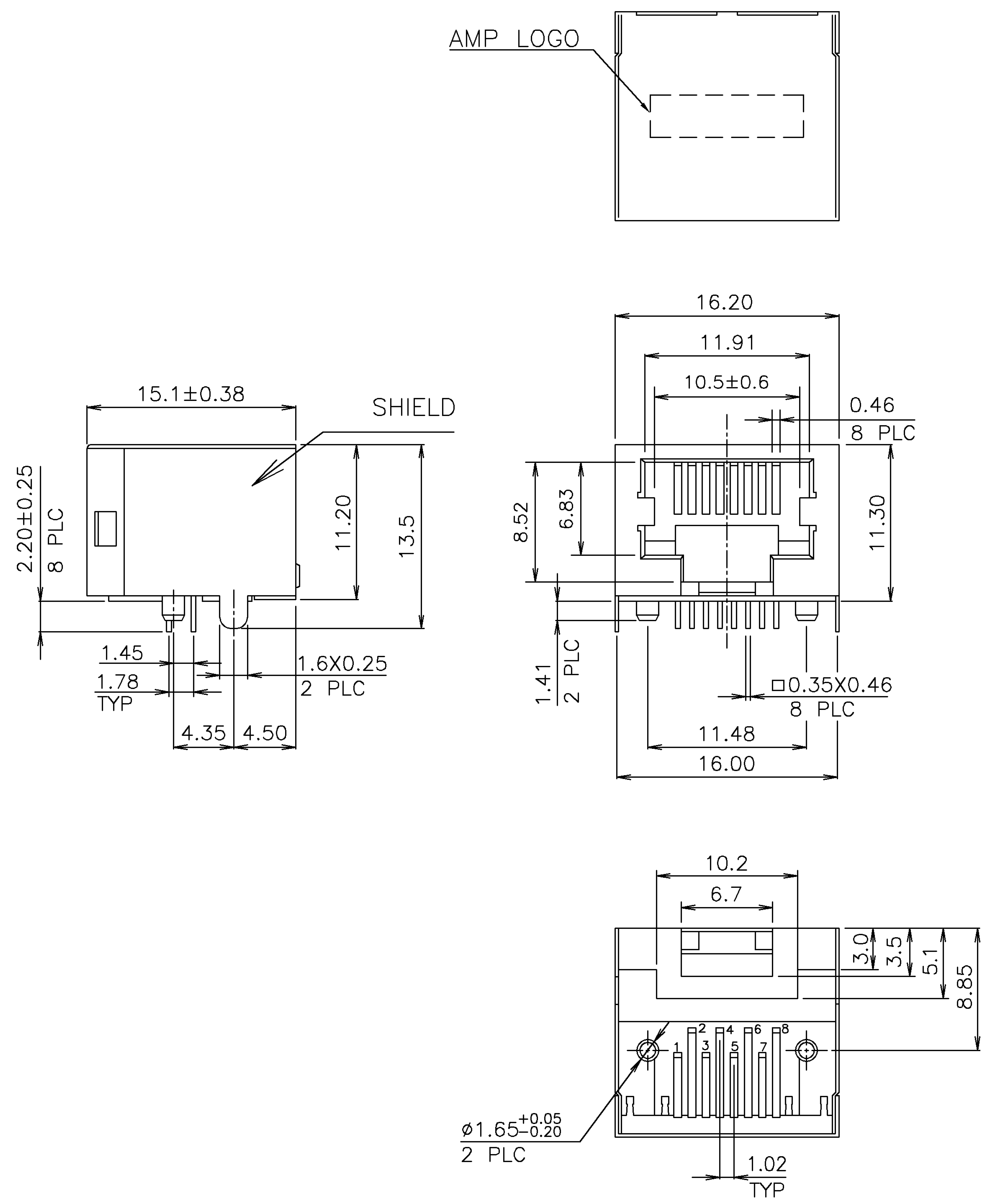
- NOTE:
- MATERIAL:
 HOUSING: HIGH THERMOPLASTIC, UL94V-0, COLOR: BLACK.
 CONTACT: PHOSPHOR BRONZE, THICKNESS: 0.35mm.
 SHELL: BRASS, THICKNESS: 0.25mm.
 LED LIGHT: EPOXY RESIN, THICKNESS; 0.50mm.
 - FINISH:
 CONTACT: GOLD PLATED (SEE TABLE) IN CONTACT AREA,
 GOLD FLASH ON SOLDER TAILS,
 50u" MIN. NICKEL UNDER PLATED ALL OVER.
 SHIELD: 20u" MIN NICKEL PLATED.
 LED LIGHT: 65u" MIN. Ag PLATED.
 80u" MIN. TIN PLATED.
 - LED MUST BE REFLOW COMPATIBLE TO FOLLOWING
 TEMPERATURE PROFILE (FOR 1 CYCLE): ABOVE 160°C
 FOR 120 SECONDS, PEAKING AT 230°C FOR 6~8 SECONDS.
 - LED DEFECT RATE IS 6000 PPM MAX. AFTER IR REFLOW
 PROCESS AS NOTE 3.
 - APPLIED TO WAVE SOLDERING PROCESS
 - NET WEIGHT: 4.5g.
- ⚠ OBSOLETE PARTS: OBSOLETE CIS STREAMLINING PER
 D.RENAUD/D.SINISI



⚠ OBSOLETE	TRAY	YELLOW	GREEN	50μ"	1734509-8
				30μ"	1734509-7
				15μ"	1734509-6
⚠ OBSOLETE	TRAY	GREEN	YELLOW	6μ"	1734509-5
				50μ"	1734509-4
				30μ"	1734509-3
⚠ OBSOLETE	TRAY	GREEN	YELLOW	15μ"	1734509-2
				6μ"	1734509-1
PACKAGE	POSITION 2	POSITION 1	MIN. GOLD THICKNESS	PART NUMBER	
	INDICATOR COLOR				

DIMENSION :	DWN	O. HU	TE Connectivity NAME MODULAR JACK RJ45 8P8C, WITH LED & SHIELD, DIP, REVERSE TYPE		
0 PLC ±0.5	CHK	03-OCT-2005			
1 PLC ±0.30		S. HOU	LOC SIZE DRAWING NO REV DW A3 C-1734509 A2		
2 PLC ±0.20		03-OCT-2005			
3 PLC ±0.10	MATERIAL	APVD	SCALE SHEET -- 1 OF 4		
ANGLES ±3'	SEE NOTE	W.J. KE			
	FINISH	PRODUCT SPEC	108-57527		
	SEE NOTE	108-57527			
	QUALIFICATION TEST REPORT	501-57603	WEIGHT		
	SEE NOTE	501-57603			

A2	REVISION RECORD	ECO	REVISOR	DATE
LTR				



RECOMMENDED PCB LAYOUT (THICKNESS: 1.6MM)
(DIMENSION TOLERANCE: 1 PLC: ±0.1, 2 PLC:±0.05)

- NOTE:
- MATERIAL:
HOUSING: HIGH THERMOPLASTIC, UL94V-0, COLOR: BLACK.
CONTACT: PHOSPHOR BRONZE, THICKNESS: 0.35mm.
SHELL: BRASS, THICKNESS: 0.25mm.
 - FINISH:
CONTACT: GOLD PLATED (SEE TABLE) IN CONTACT AREA,
GOLD FLASH ON SOLDER TAILS,
50u" MIN. NICKEL UNDER PLATED ALL OVER.
SHIELD: 20u" MIN NICKEL PLATED.
 - APPLIED TO WAVE SOLDERING PROCESS
 - NET WEIGHT: 4.5g.
- ⚠️ OBSOLETE PARTS: OBSOLETE CIS STREAMLINING PER D.RENAUD/D.SINISI

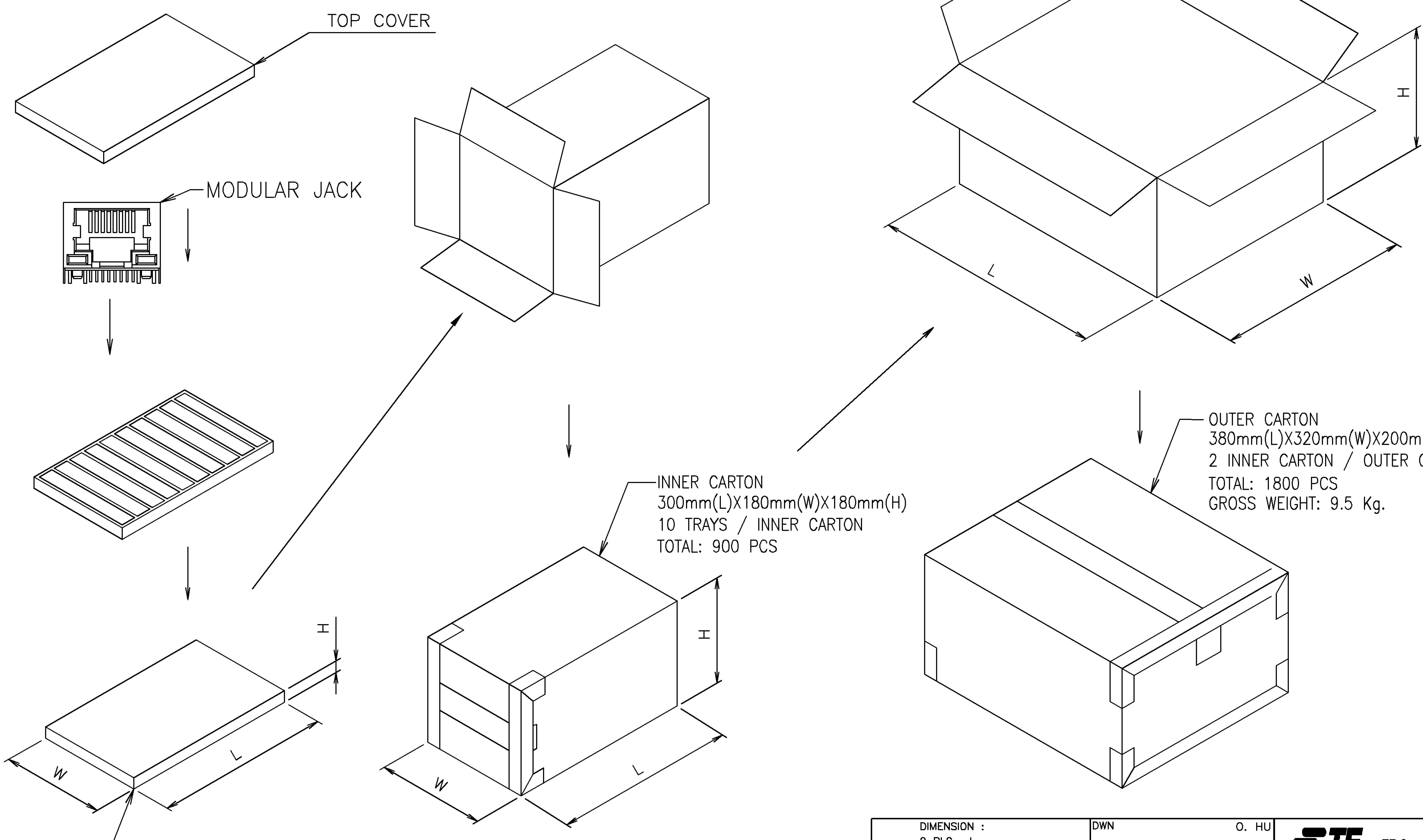
⚠️ OBSOLETE	TAPE & REEL	50µ"	1-1734509-4
		30µ"	1-1734509-3
		15µ"	1-1734509-2
		6µ"	1-1734509-1
	PACKAGE	MIN. GOLD THICKNESS	PART NUMBER

"WITH OUT LED LIGHT"

DIMENSION : 0 PLC ±0.5 1 PLC ±0.30 2 PLC ±0.20 3 PLC ±0.10 ANGLES ±3'	DWN	O. HU	TE Connectivity NAME MODULAR JACK RJ45 8P8C, WITH LED & SHIELD, DIP, REVERSE TYPE			
	CHK	S. HOU				
MATERIAL	APVD	W.J. KE	LOC	SIZE	DRAWING NO	REV
SEE SHEET 1.	PRODUCT SPEC	108-57527	DW	A ₃	C-1734509	A2
FINISH	QUALIFICATION TEST REPORT	501-57603	SCALE	SHEET		
SEE SHEET 1.	WEIGHT		--		2 OF 4	

LTR	REVISION RECORD	SEE SHEET 1.	ECO	DWN	CHK	DATE
-----	-----------------	--------------	-----	-----	-----	------

NUMBER C-1734509
 METRIC
 3RD ANGLE PROJECTION
 DIMENSIONS IN MILLIMETERS. DO NOT SCALE PRINT.
 PRINT DIST DW



TRAY
 290mm(L)X170mm(W)X17mm(H)
 90 PCS/ TRAY
 TRAY MATERIAL: PET.

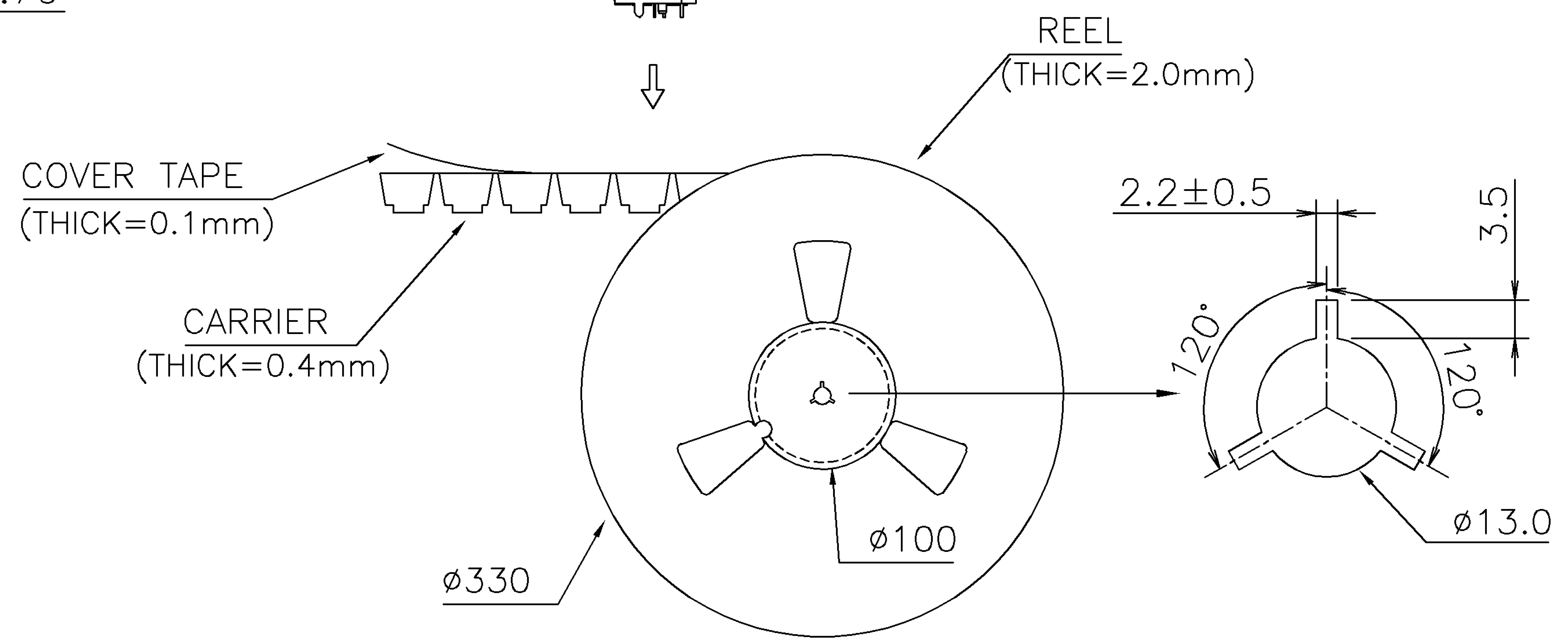
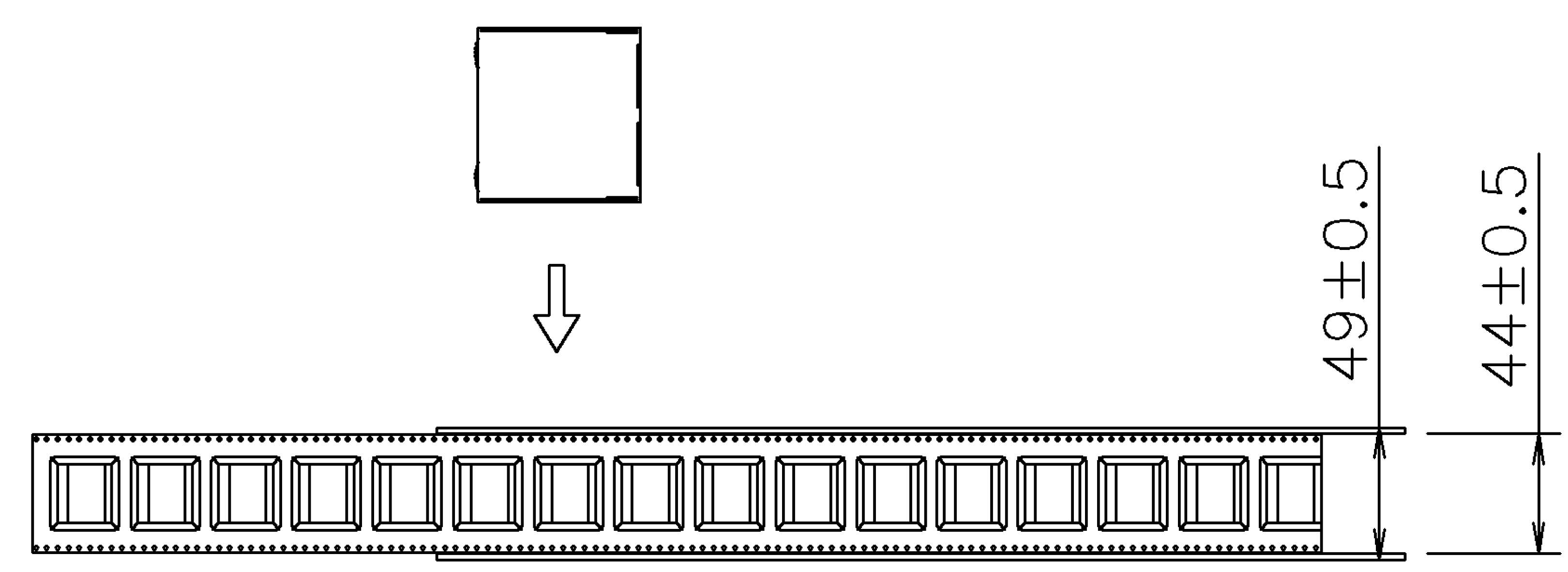
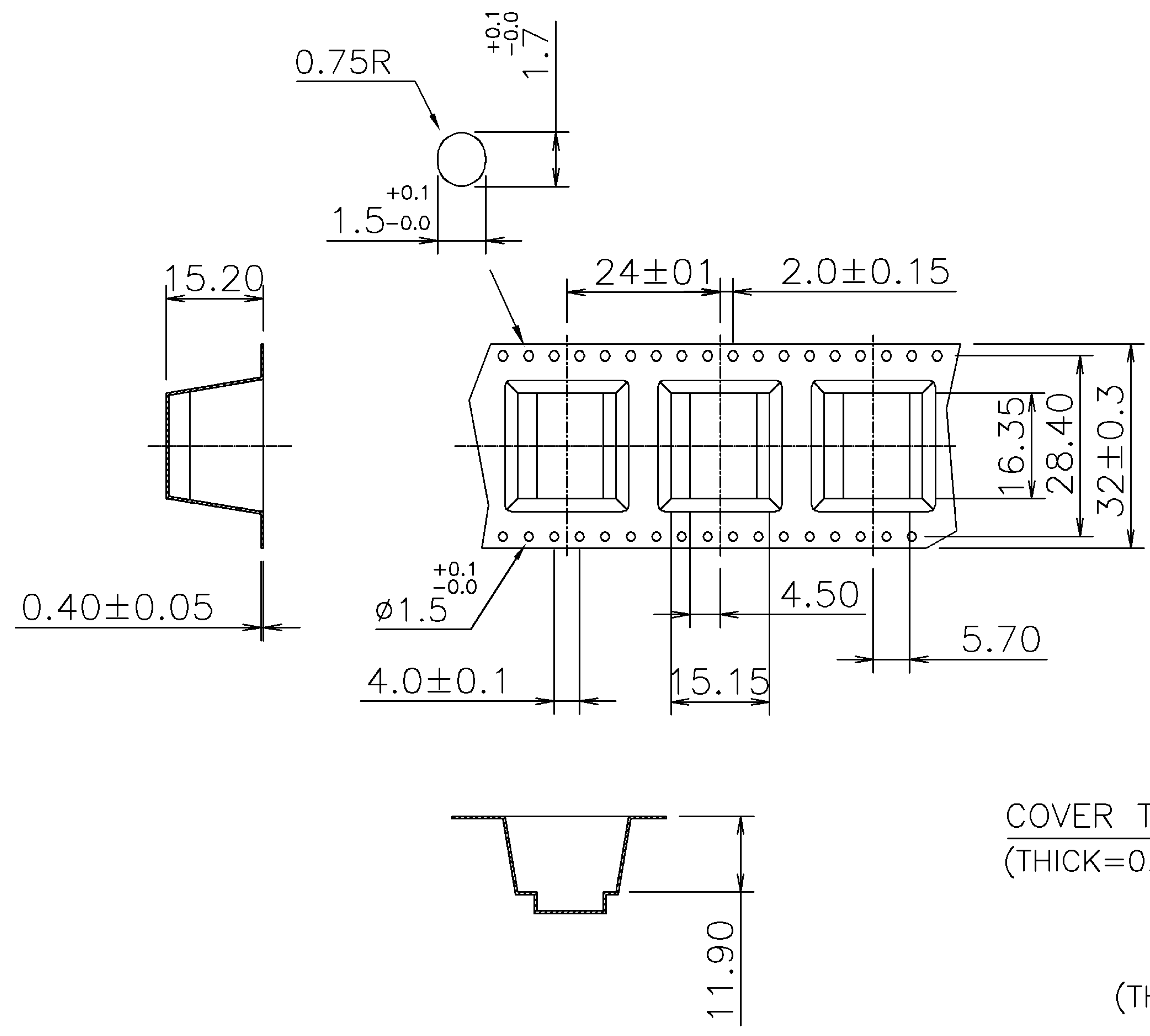
INNER CARTON
 300mm(L)X180mm(W)X180mm(H)
 10 TRAYS / INNER CARTON
 TOTAL: 900 PCS

OUTER CARTON
 380mm(L)X320mm(W)X200mm(H)
 2 INNER CARTON / OUTER CARTON
 TOTAL: 1800 PCS
 GROSS WEIGHT: 9.5 Kg.

LTR	REVISION RECORD	SEE SHEET 1.	ECO	DWN	CHK	DATE
-----	-----------------	--------------	-----	-----	-----	------

DIMENSION : 0 PLC ± 1 PLC ± 2 PLC ± 3 PLC ± ANGLES ±	DWN	O. HU				
	CHK	S. HOU				
MATERIAL SEE SHEET 1.	APVD	W.J. KE	NAME MODULAR JACK RJ45 8P8C, WITH LED & SHIELD, DIP, REVERSE TYPE			
	PRODUCT SPEC	03-OCT-2005	LOC	SIZE	DRAWING NO	REV
FINISH SEE SHEET 1.	APPLICATION SPEC	03-OCT-2005	DW	A ₃	C-1734509	A2
	WEIGHT		SCALE	SHEET		
			--		3 OF 4	

NUMBER C-1734509
 METRIC
 3RD ANGLE PROJECTION
 DIMENSIONS IN MILLIMETERS. DO NOT SCALE PRINT.
 PRINT DIST DW



NOTES:

- A. THE DIRECTION OF JACKS PUT INTO CARRIER.
- B. 10 EMPTY CAVITIES FOR BOTH OF TOP AND BOTTOM OF THE CARRIER.
- C. 180 PCS PRODUCTS BE PACKAGED ON REEL.
- D. 1440 PCS PRODUCTS BE PACKAGED ONE CARTON.
 CARTON SIZE: 345mm(L)X 345mm(W)X 315mm(H)
 TOTOAL CROSS WEIGHT: 10 Kg REF.

LTR	REVISION RECORD	SEE SHEET 1.	ECO	DWN	CHK	DATE
-----	-----------------	--------------	-----	-----	-----	------

DIMENSION : 0 PLC ± 1 PLC ± 2 PLC ± 3 PLC ± ANGLES ±		DWN O. HU 03-OCT-2005 CHK S. HOU 03-OCT-2005	TE Connectivity	
MATERIAL SEE SHEET 1.		APVD W.J. KE 03-OCT-2005 PRODUCT SPEC	NAME MODULAR JACK RJ45 8P8C, WITH LED & SHIELD, DIP, REVERSE TYPE	
FINISH SEE SHEET 1.		APPLICATION SPEC WEIGHT	LOC DW SCALE	DRAWING NO C-1734509 SHEET 4 OF 4