



Chipsmall Limited consists of a professional team with an average of over 10 year of expertise in the distribution of electronic components. Based in Hongkong, we have already established firm and mutual-benefit business relationships with customers from,Europe,America and south Asia,supplying obsolete and hard-to-find components to meet their specific needs.

With the principle of “Quality Parts,Customers Priority,Honest Operation,and Considerate Service”,our business mainly focus on the distribution of electronic components. Line cards we deal with include Microchip,ALPS,ROHM,Xilinx,Pulse,ON,Everlight and Freescale. Main products comprise IC,Modules,Potentiometer,IC Socket,Relay,Connector.Our parts cover such applications as commercial,industrial, and automotives areas.

We are looking forward to setting up business relationship with you and hope to provide you with the best service and solution. Let us make a better world for our industry!



Contact us

Tel: +86-755-8981 8866 Fax: +86-755-8427 6832

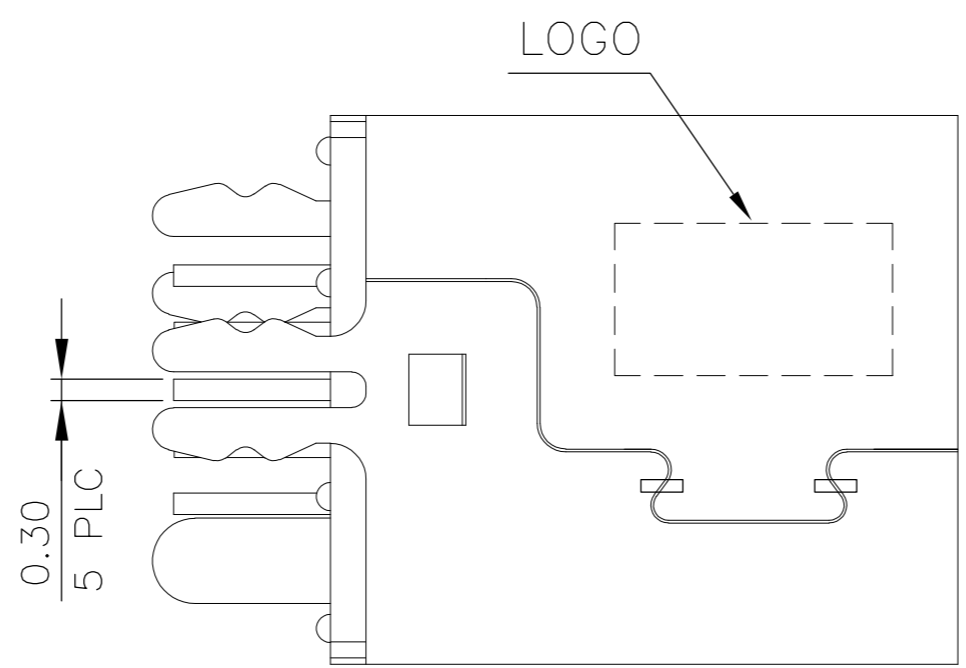
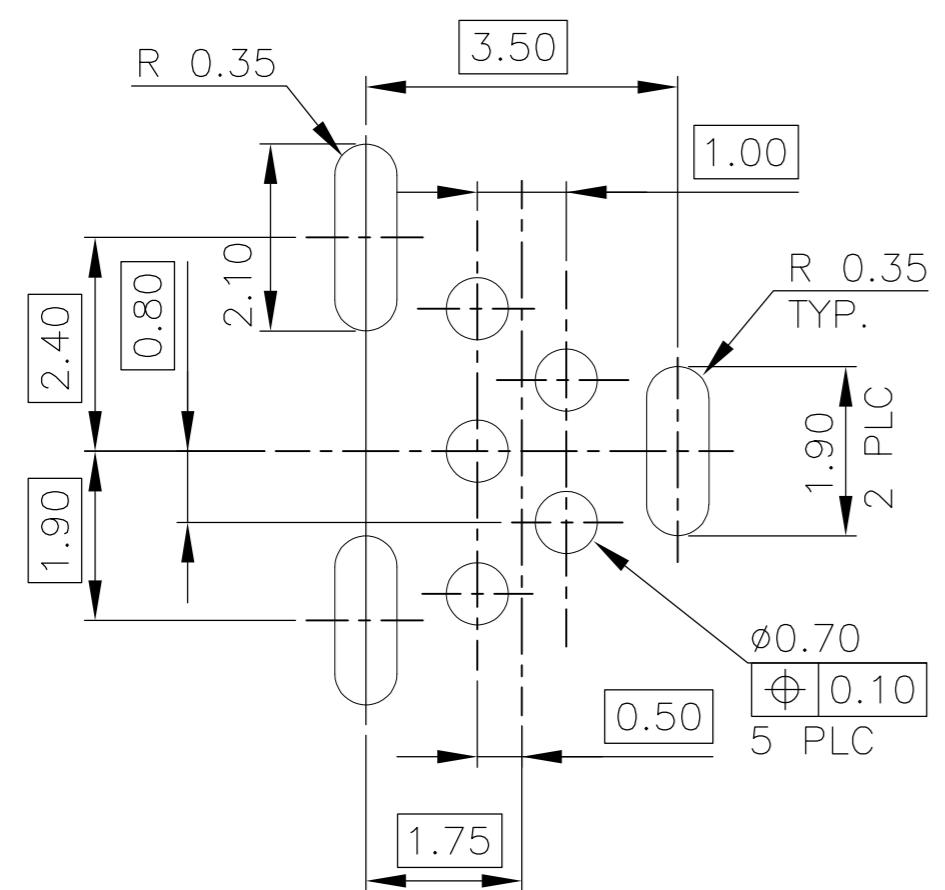
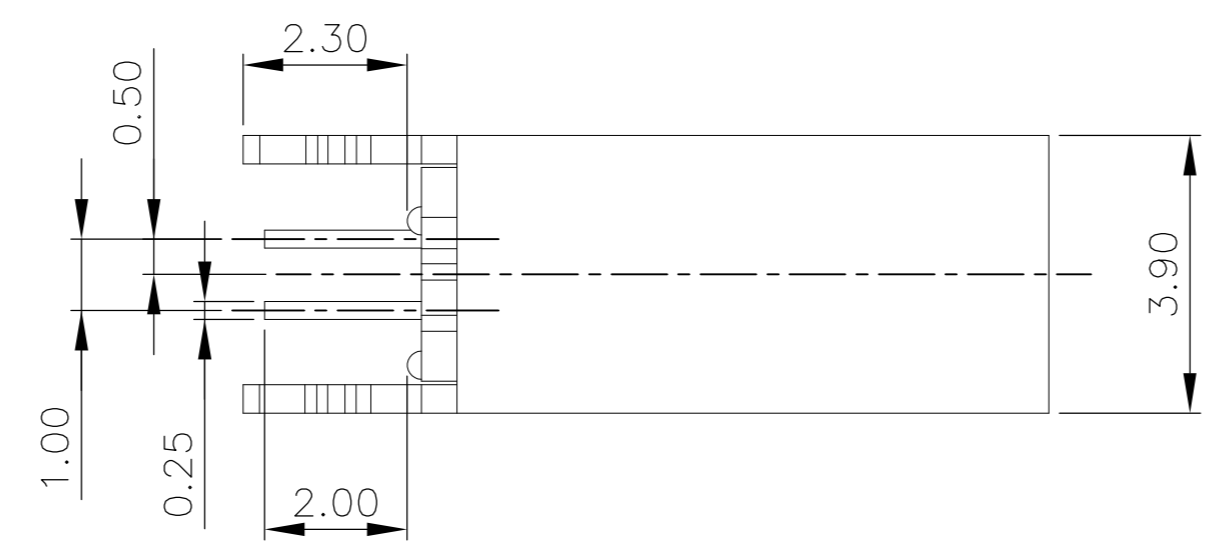
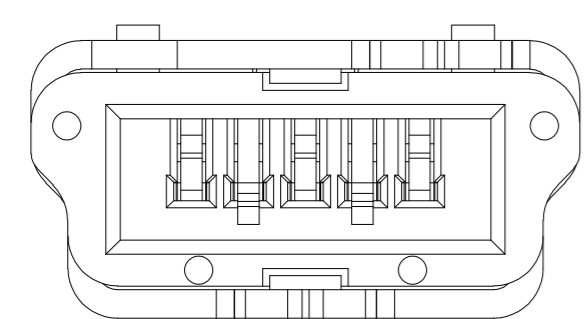
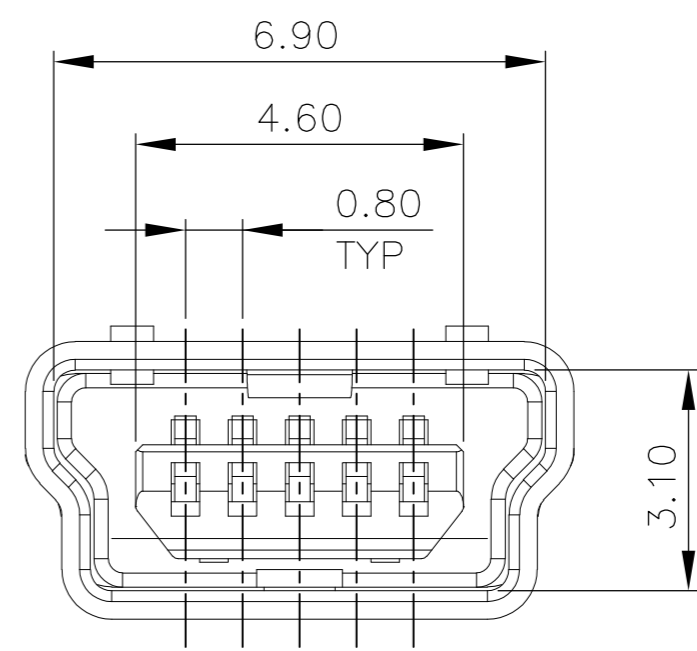
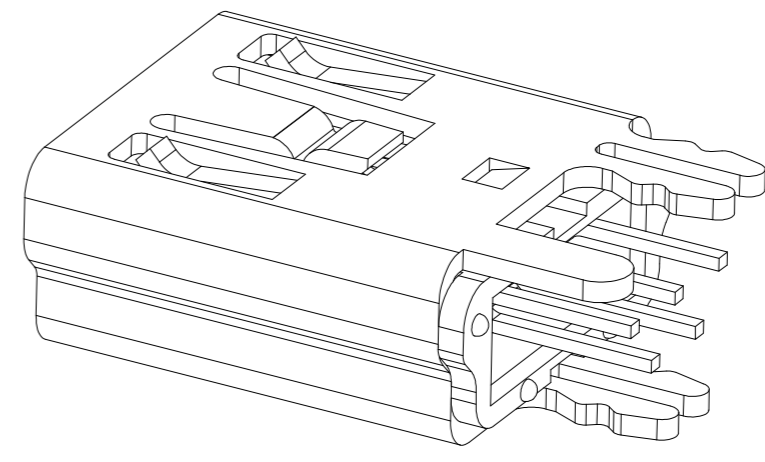
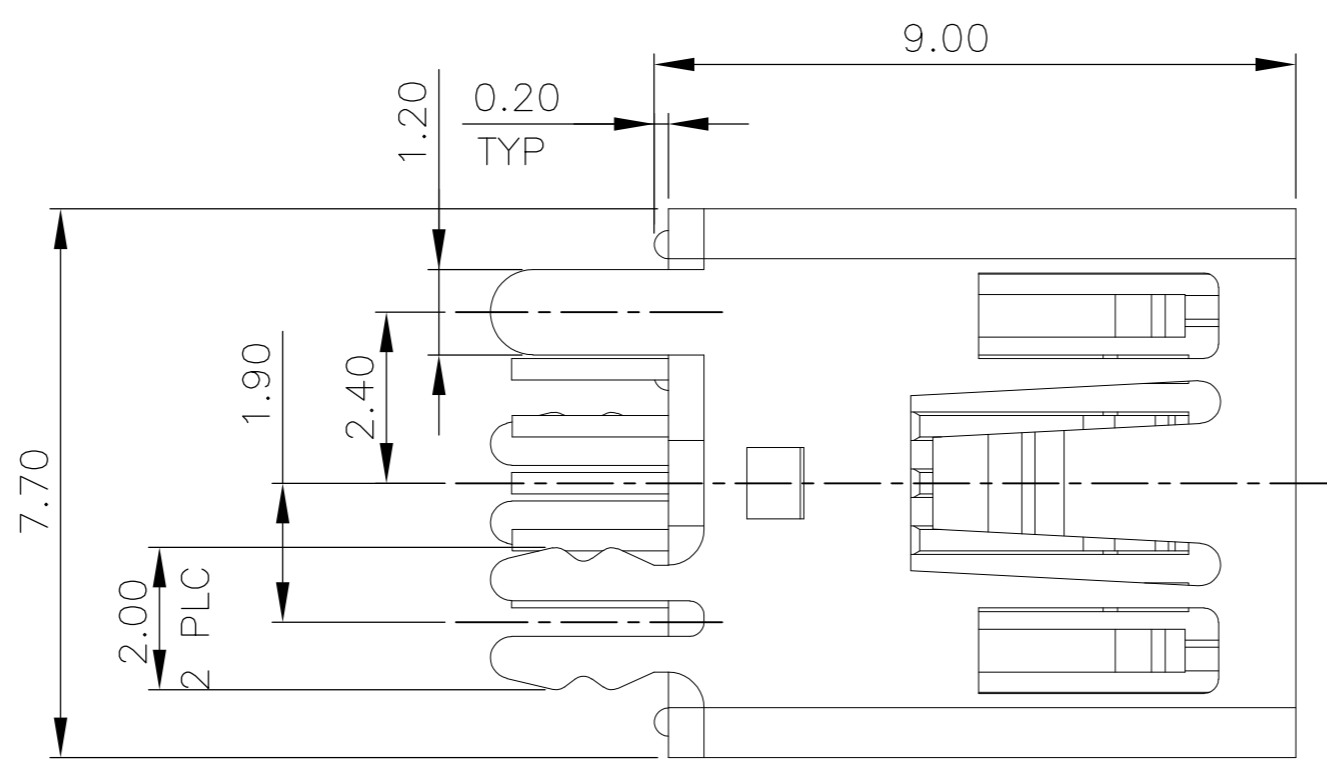
Email & Skype: info@chipsmall.com Web: www.chipsmall.com

Address: A1208, Overseas Decoration Building, #122 Zhenhua RD., Futian, Shenzhen, China



THIS DRAWING IS UNPUBLISHED. RELEASED FOR PUBLICATION
 © COPYRIGHT 2011 BY TYCO ELECTRONICS CORPORATION. ALL RIGHTS RESERVED.

LOC		DIST		REVISIONS			
P	LTR	DESCRIPTION		DATE	DWN	APVD	
	A3	REVISED (ECR-16-010649), ADD PN		25JUL'16	A.X.	H.W.	



NOTE:

- MATERIAL:
 HOUSING: THERMOPLASTIC, UL 94V-0 COLOR: BLACK.
 CAP: LCP E130i , COLOR:BLACK.
 CONTACT: PHOSPHOR BRONZE, THICKNESS: 0.25mm.
 SHIELD: PHOSPHOR BRONZE, THICKNESS: 0.40mm.
- FINISH:
 CONTACT: GOLD FLASH OVER
 30u" MIN. PALLADIUM-NICKEL PLATING ON CONTACT AREA,
 100u" MIN. MATTE-TIN PLATED ON SOLDER TAILS
 50u" MIN. NICKEL UNDERPLATED ALL OVER.
 SHIELD: 100u" MIN. BRIGHT TIN PLATED OVER 50u" MIN. NICKEL
 UNDERPLATED ALL OVER.
- WAVE SOLDER CAPABLE TO 240°C PER
 TE SPEC 109-202, CONDITION A (FOR 1734753-1).

SEE SHEET3	YES	1734753-2
SEE SHEET3	NO	1734753-1
PACKING	REFLOW CAPABLE	PART NUMBER

RECOMMENDED PCB LAYOUT (THICKNESS: 1.6MM)
 (DIMENSION TOLERANCE: 1 PLC: ±0.1 2PLC: ±0.05)

THIS DRAWING IS A CONTROLLED DOCUMENT.		DWN O. HU 10MAR2005	TE Connectivity	
DIMENSIONS: mm		CHK S. HOU 10MAR2005		
TOLERANCES UNLESS OTHERWISE SPECIFIED:		APVD W.J. KE 10MAR2005	MINI USB CONN., RCPT V/T, DIP, B TYPE	
0 PLC ± - 1 PLC ± 0.25 2 PLC ± 0.20 3 PLC ± - 4 PLC ± - ANGLES ± 3°		PRODUCT SPEC 108-57509	SIZE	RESTRICTED TO
MATERIAL SEE NOTE		APPLICATION SPEC	CAGE CODE A300779	DRAWING NO C-1734753
FINISH SEE NOTE		WEIGHT 0.789 GRAMS	SCALE -	SHEET 1 OF 4
CUSTOMER DRAWING		REV A3		

THIS DRAWING IS UNPUBLISHED.

RELEASED FOR PUBLICATION

© COPYRIGHT 2011 BY TYCO ELECTRONICS CORPORATION.

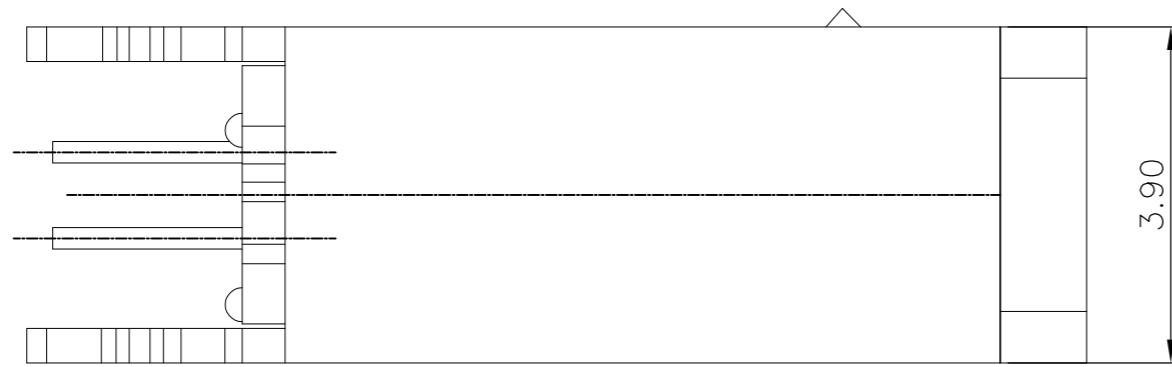
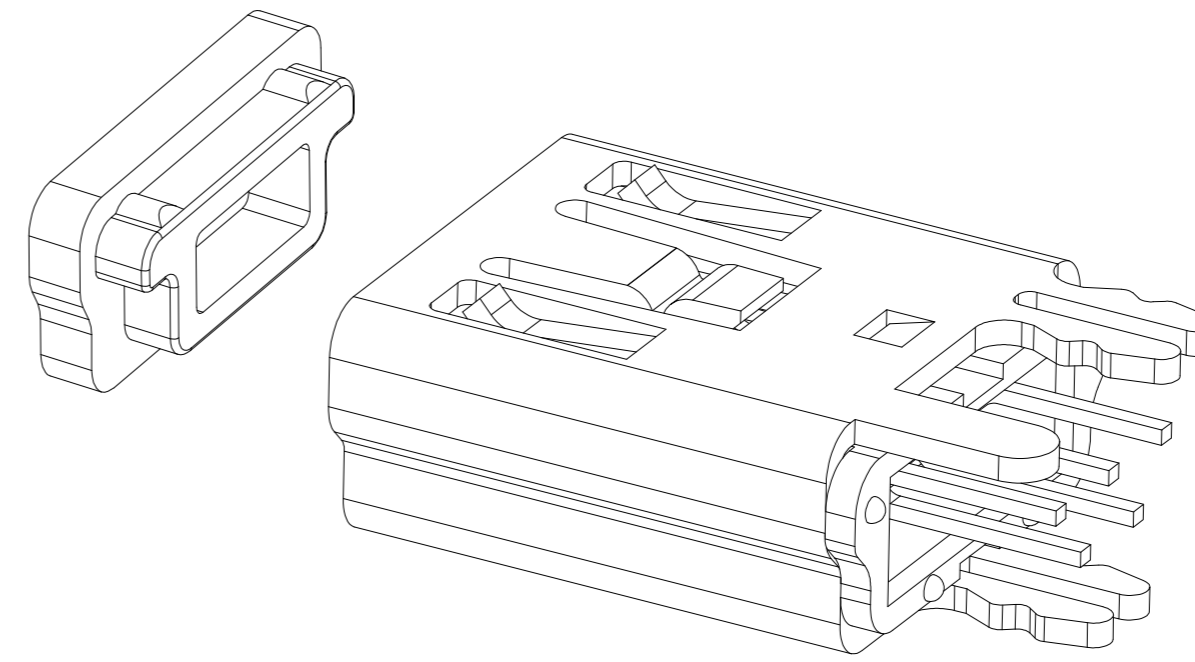
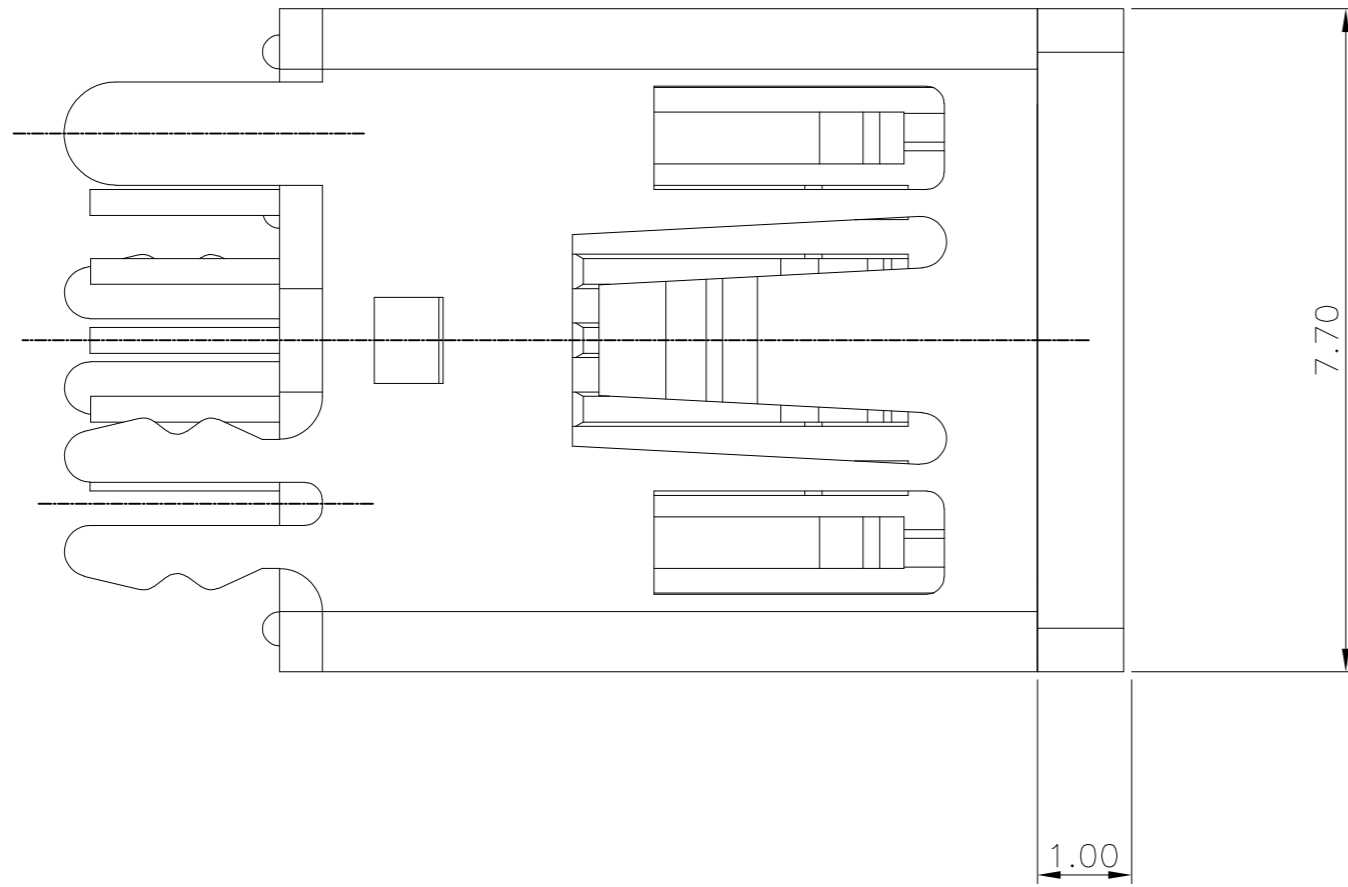
ALL RIGHTS RESERVED.

LOC
DW

DIST


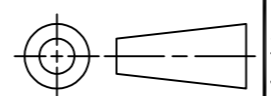
REVISIONS

P	LTR	DESCRIPTION	DATE	DWN	APVD
		SEE SHEET 1.			



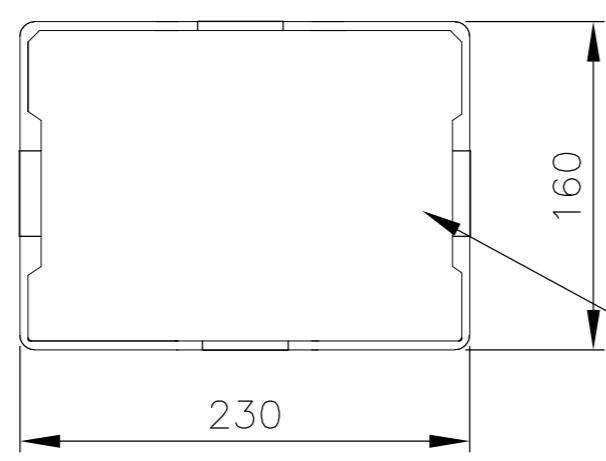
Ⓐ3 ADD THIS PAGE
 1734753-3 AS SHOW
 THE OTHER DIMENSIONS ARE THE SAME AS SHEET 1 .

SEE SHEET4	YES	1734753-3
PACKING	REFLOW CAPABLE	PART NUMBER

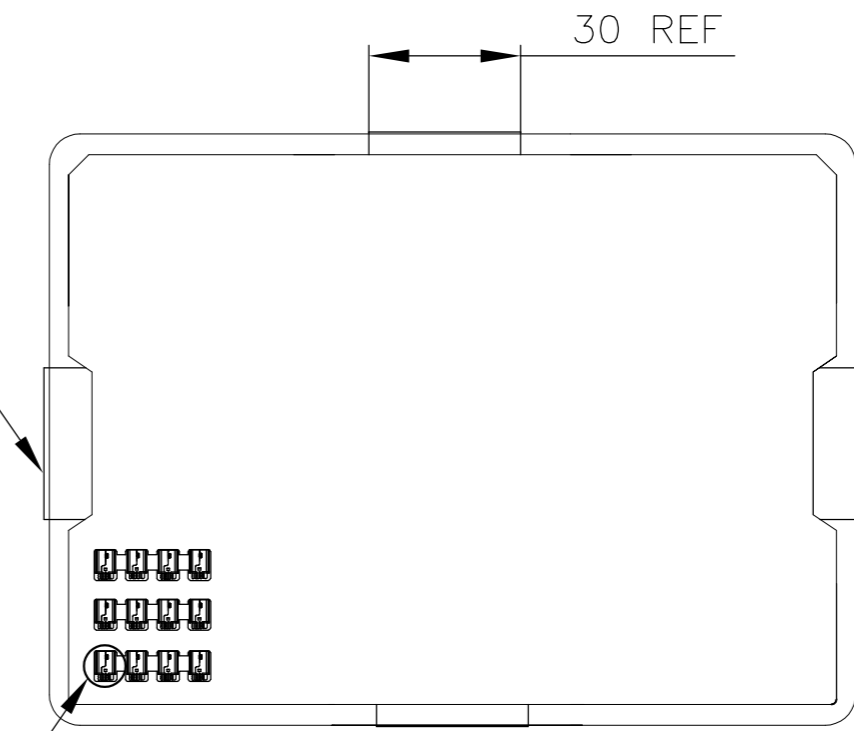
THIS DRAWING IS A CONTROLLED DOCUMENT.		DWN	 TE Connectivity			
DIMENSIONS: mm		CHK				
		APVD				
TOLERANCES UNLESS OTHERWISE SPECIFIED: 0 PLC ± - 1 PLC ± - 2 PLC ± - 3 PLC ± - 4 PLC ± - ANGLES ± -		NAME				
MATERIAL		PRODUCT SPEC	MINI USB CONN., RCPT V/T, DIP, B TYPE			
FINISH		APPLICATION SPEC	SIZE	CAGE CODE	DRAWING NO	RESTRICTED TO
		WEIGHT	A3	00779	1734753	-
		CUSTOMER DRAWING	SCALE	SHEET	REV	
			-	2 OF 4	A3	

THIS DRAWING IS UNPUBLISHED. RELEASED FOR PUBLICATION
 © COPYRIGHT 2011 BY TYCO ELECTRONICS CORPORATION. ALL RIGHTS RESERVED.

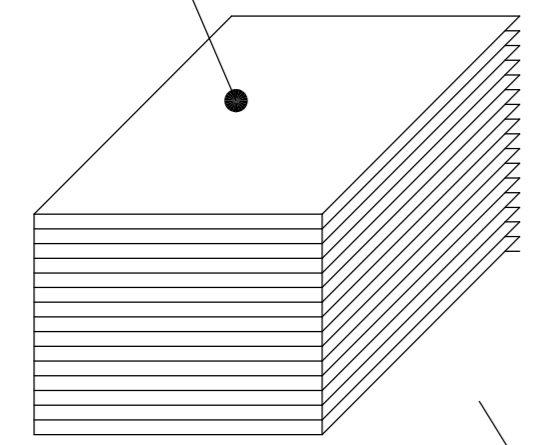
LOC		DIST		REVISIONS				
P	LTR	DESCRIPTION			DATE	DWN	APVD	
		SEE SHEET 1.						



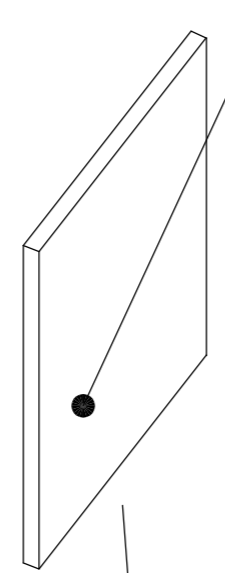
TARY
 TOTAL: 150 PCS.



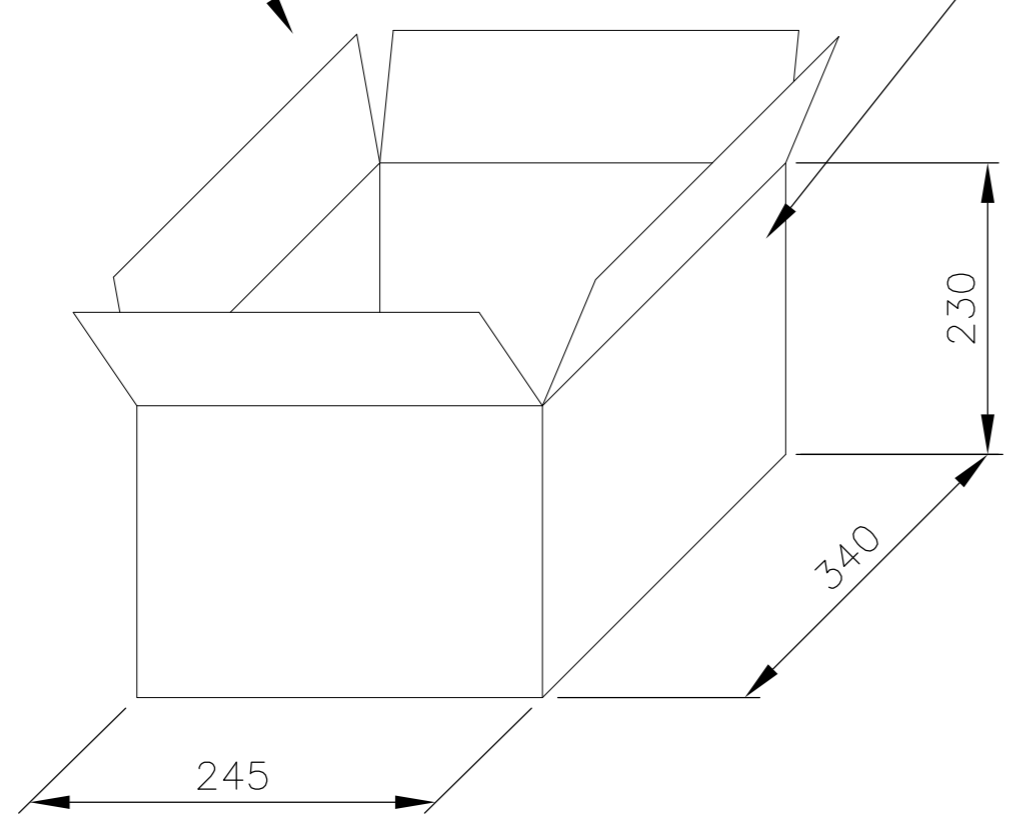
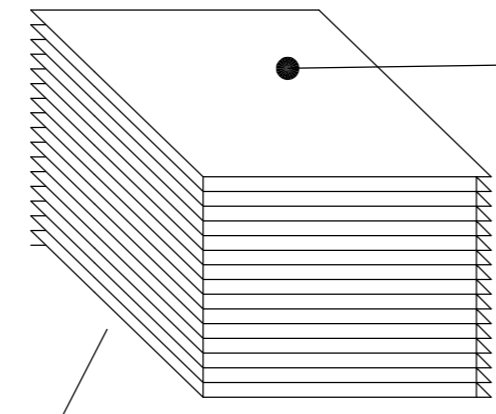
HEIGHT: 6 mm



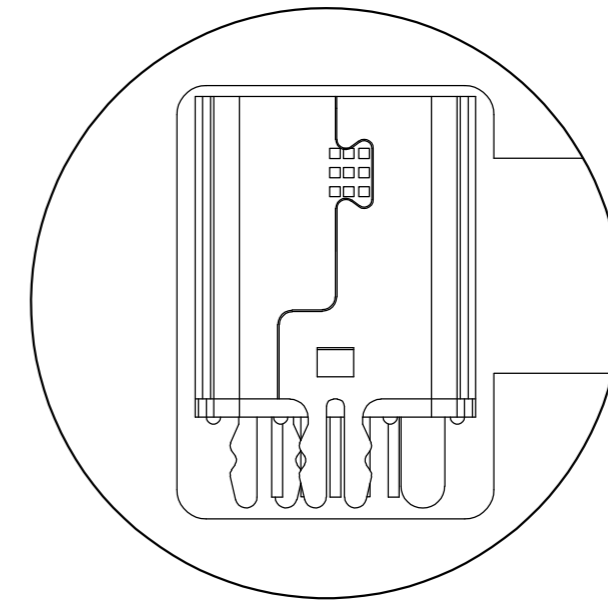
PAPER BOARD



PVC



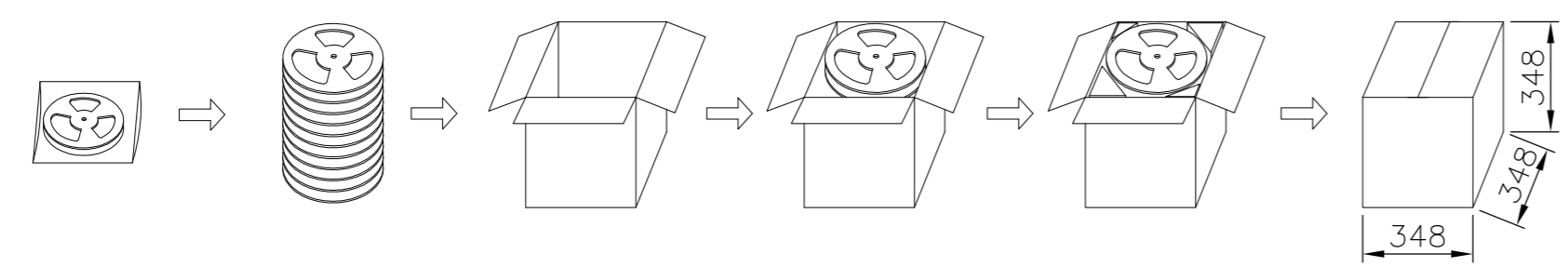
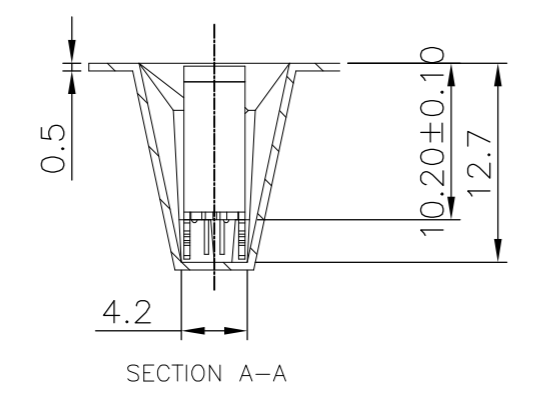
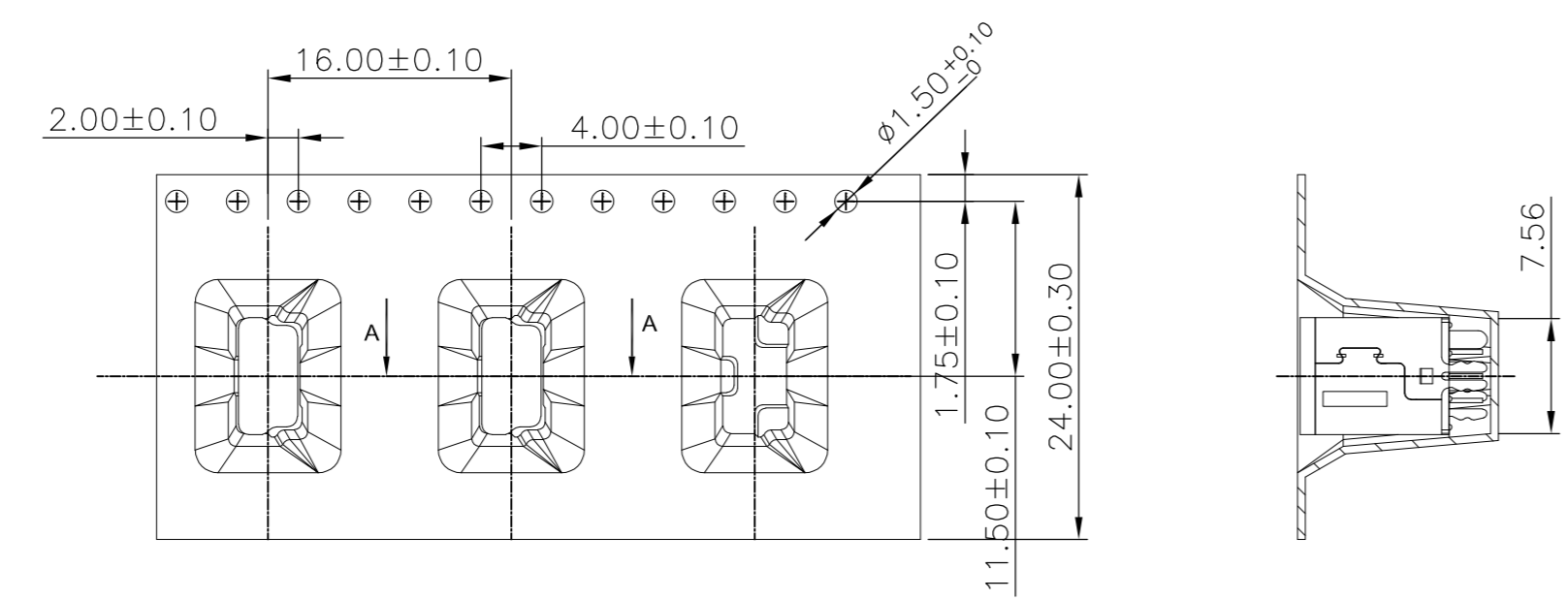
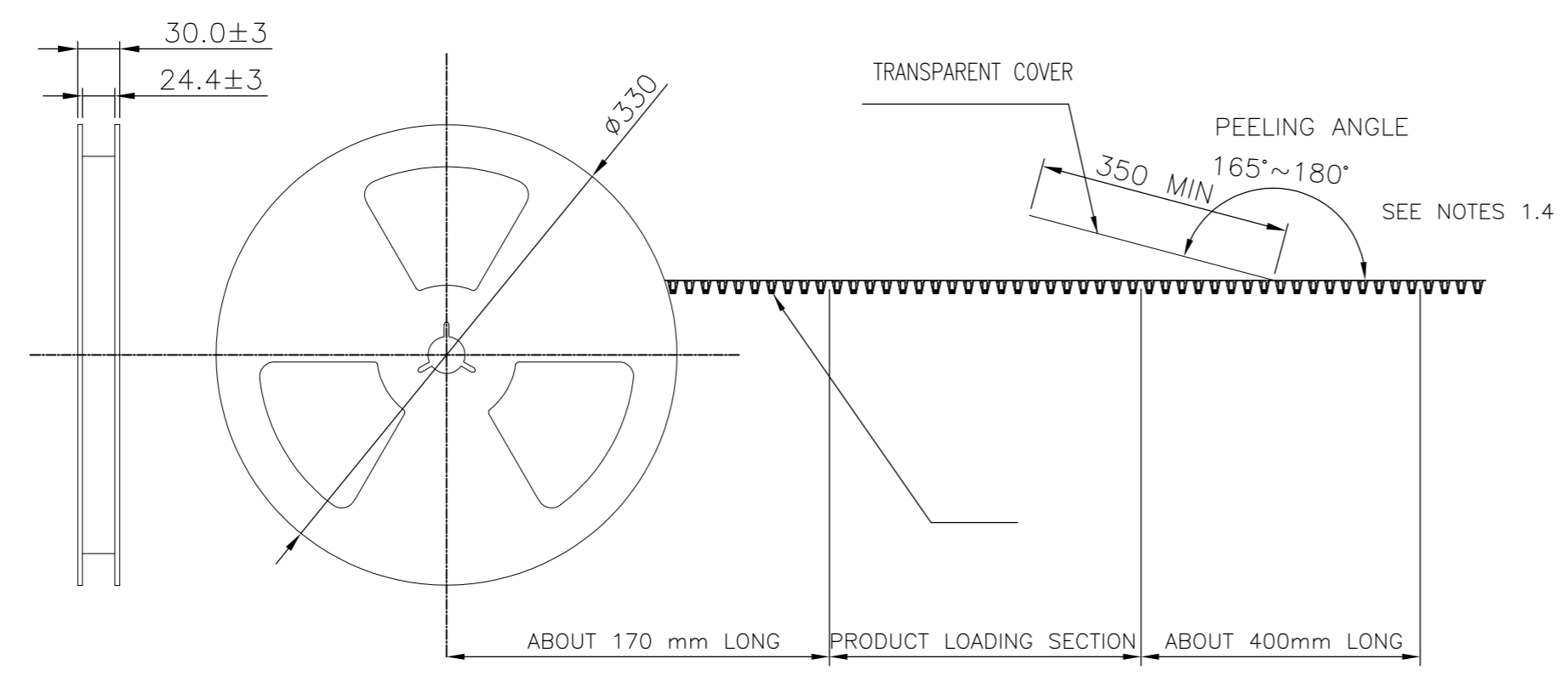
CARTON
 76 TARY/ CARTON
 TOTAL: 11400 PCS.
 NET WEIGHT: 9.1 KGS.
 GROSS WEIGHT: 12.6 KGS.



THIS DRAWING IS A CONTROLLED DOCUMENT.		DWN		TE Connectivity NAME MINI USB CONN., RCPT V/T, DIP, B TYPE			
DIMENSIONS: mm		CHK					
TOLERANCES UNLESS OTHERWISE SPECIFIED:		APVD					
0 PLC ± - 1 PLC ± - 2 PLC ± - 3 PLC ± - 4 PLC ± - ANGLES ± -		PRODUCT SPEC					
MATERIAL		FINISH		APPLICATION SPEC			
				WEIGHT			
				SIZE	CAGE CODE	DRAWING NO	RESTRICTED TO
				A3	00779	C=1734753	-
CUSTOMER DRAWING				SCALE	SHEET	REV	
				-	3 OF 4	A3	

THIS DRAWING IS UNPUBLISHED. RELEASED FOR PUBLICATION
 © COPYRIGHT 2011 BY TYCO ELECTRONICS CORPORATION. ALL RIGHTS RESERVED.

LOC		DIST		REVISIONS				
P	LTR	DESCRIPTION			DATE	DWN	APVD	
		SEE SHEET 1.						



Ⓐ3 ADD THIS PAGE

THIS DRAWING IS A CONTROLLED DOCUMENT.		DWN	TE Connectivity NAME MINI USB CONN., RCPT V/T, DIP, B TYPE				
DIMENSIONS: mm		CHK					
		APVD					
TOLERANCES UNLESS OTHERWISE SPECIFIED:		PRODUCT SPEC					
MATERIAL		FINISH	APPLICATION SPEC	SIZE	CAGE CODE	DRAWING NO	RESTRICTED TO
			WEIGHT	A3	00779	C=1734753	
CUSTOMER DRAWING			SCALE	SHEET	4 OF 4	REV	A3