



Chipsmall Limited consists of a professional team with an average of over 10 year of expertise in the distribution of electronic components. Based in Hongkong, we have already established firm and mutual-benefit business relationships with customers from,Europe,America and south Asia,supplying obsolete and hard-to-find components to meet their specific needs.

With the principle of “Quality Parts,Customers Priority,Honest Operation,and Considerate Service”,our business mainly focus on the distribution of electronic components. Line cards we deal with include Microchip,ALPS,ROHM,Xilinx,Pulse,ON,Everlight and Freescale. Main products comprise IC,Modules,Potentiometer,IC Socket,Relay,Connector.Our parts cover such applications as commercial,industrial, and automotives areas.

We are looking forward to setting up business relationship with you and hope to provide you with the best service and solution. Let us make a better world for our industry!



Contact us

Tel: +86-755-8981 8866 Fax: +86-755-8427 6832

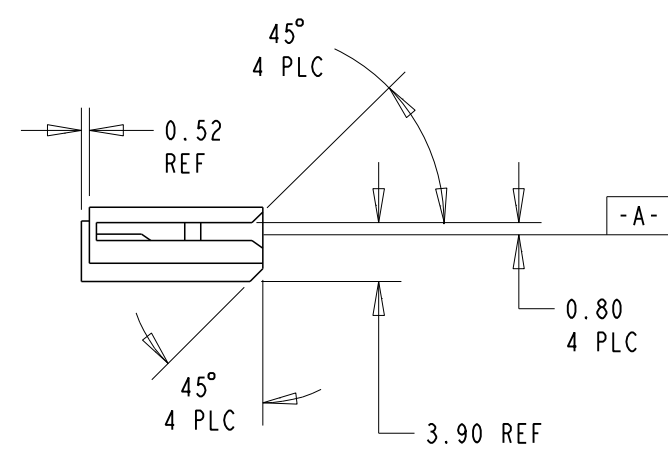
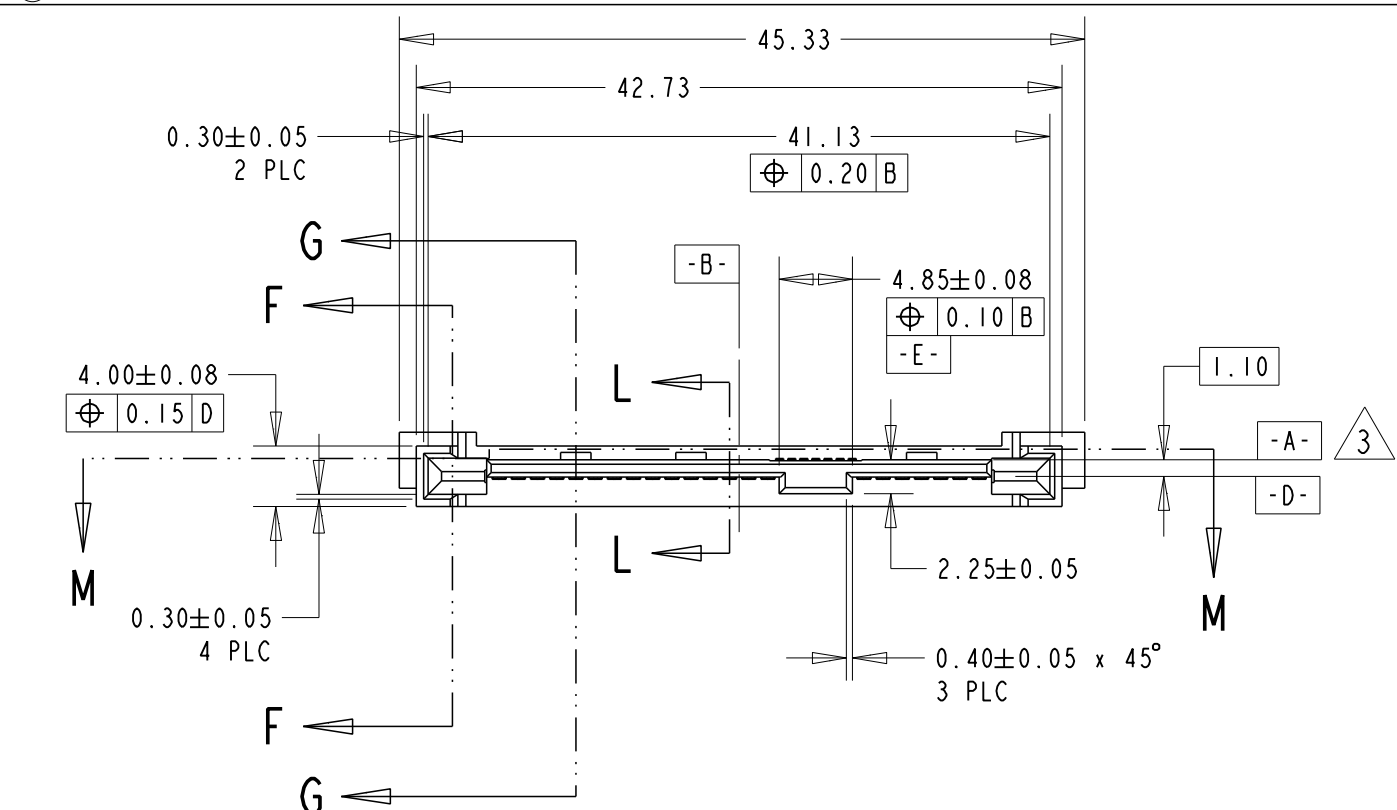
Email & Skype: info@chipsmall.com Web: www.chipsmall.com

Address: A1208, Overseas Decoration Building, #122 Zhenhua RD., Futian, Shenzhen, China

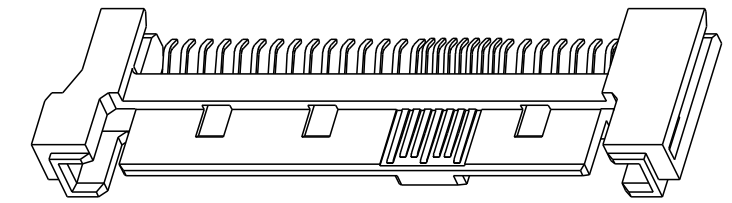


THIS DRAWING IS UNPUBLISHED. RELEASED FOR PUBLICATION .19
 BY AMP INCORPORATED. ALL RIGHTS RESERVED.

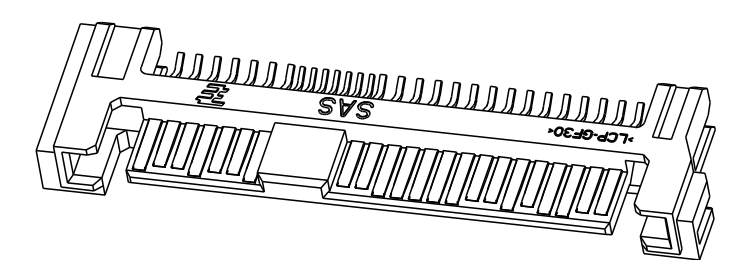
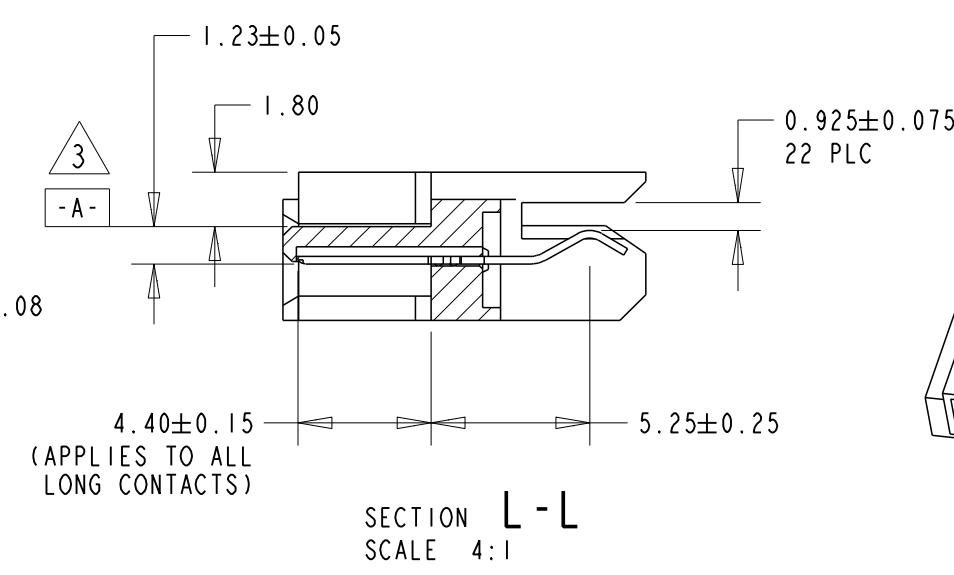
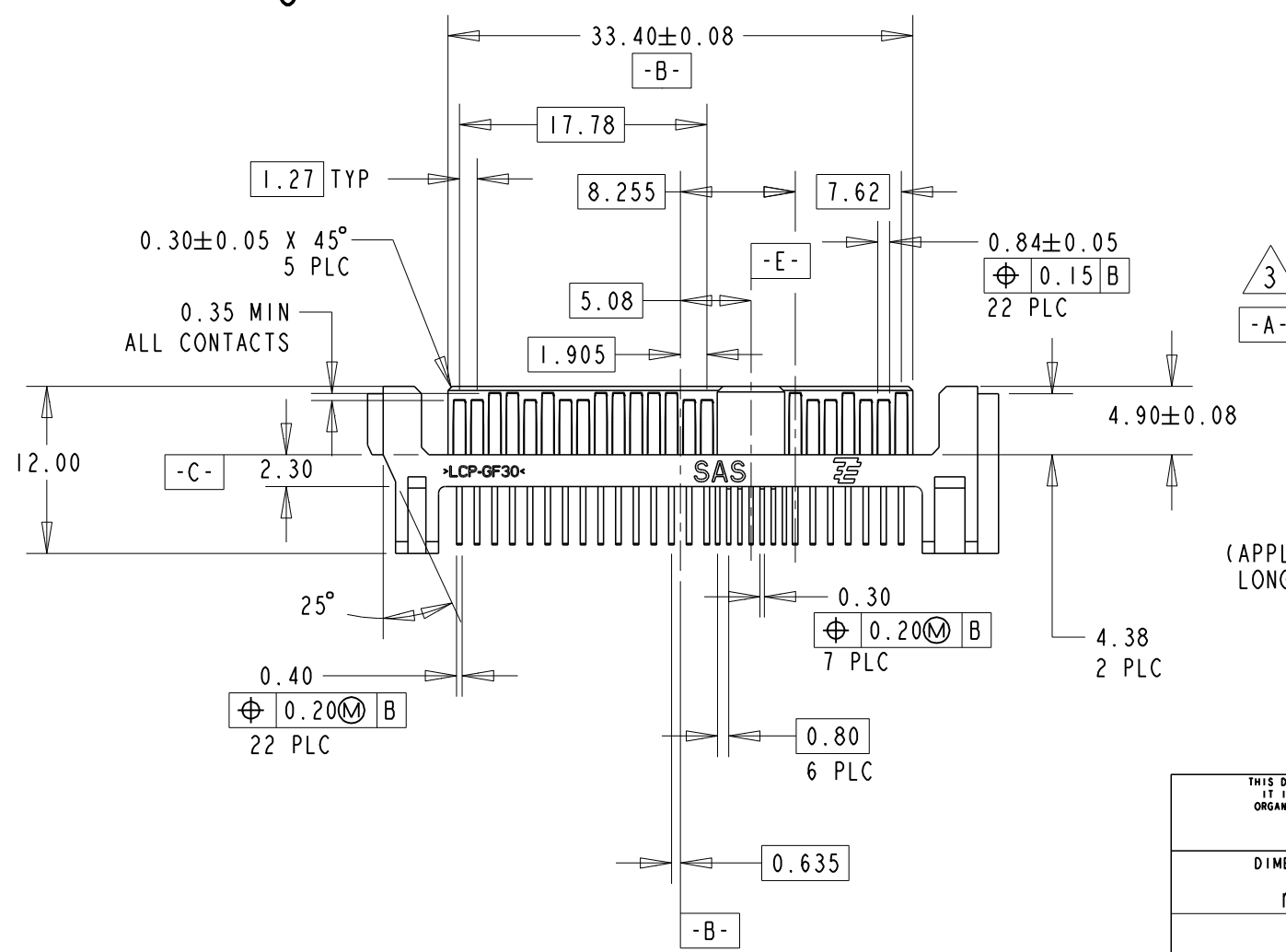
LOC		DIST		REVISIONS					
DY		-		P	LTR	DESCRIPTION	DATE	DWN	APVD
				C		REVISED ECR-10-014113	25JUN2010	JC	TAP



NOTES:
 1 MATERIAL
 HOUSING: HIGH TEMPERATURE THERMOPLASTICS,
 GLASS FILLED, BLACK, UL94V-0,
 REGRIND 25% MAXIMUM
 CONTACT: COPPER ALLOY
 2 FINISH
 0.76um MINIMUM GOLD ON MATING AREA AND 1.91um
 MINIMUM MATTE TIN (LEAD-FREE) ON SOLDER AREA,
 BOTH OVER 1.27um MIN NICKEL
 3 -A- IS DEFINED AS TOP SURFACE OF HOUSING



SCALE 2:1



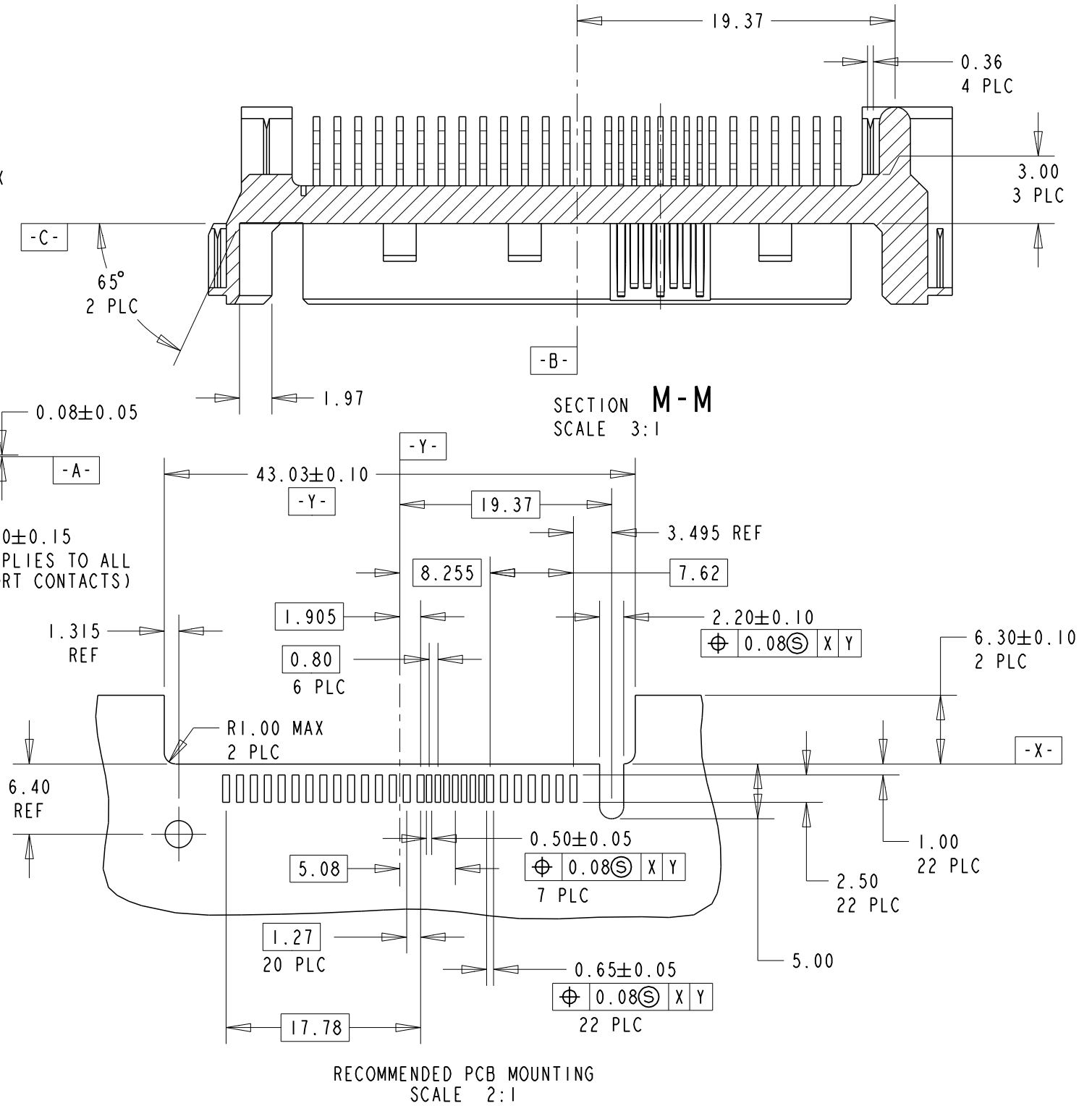
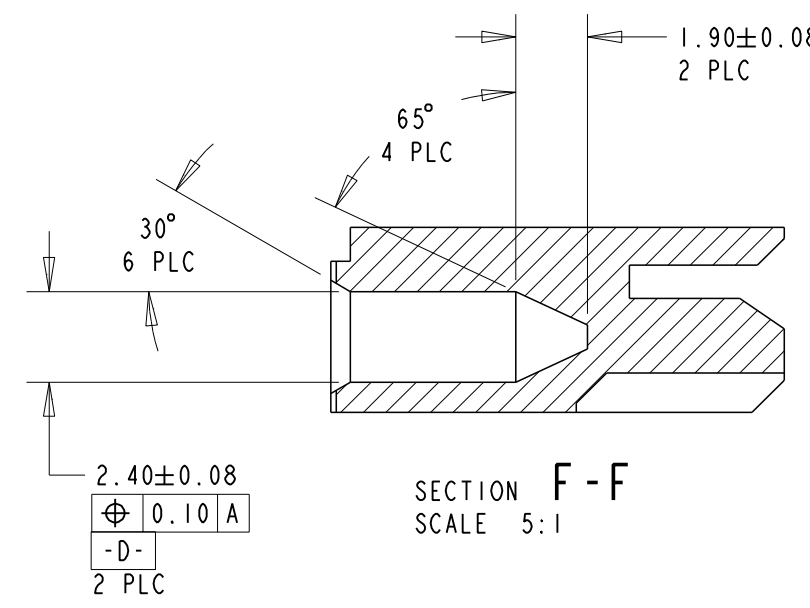
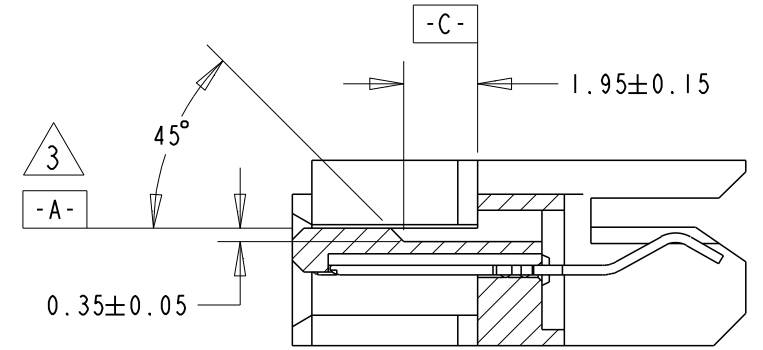
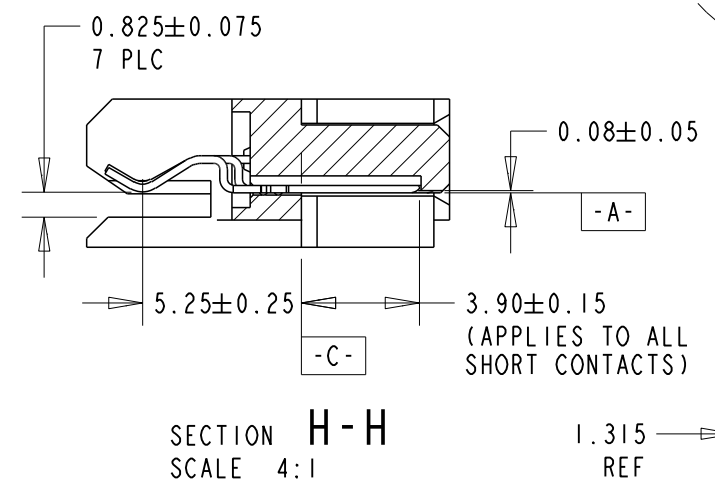
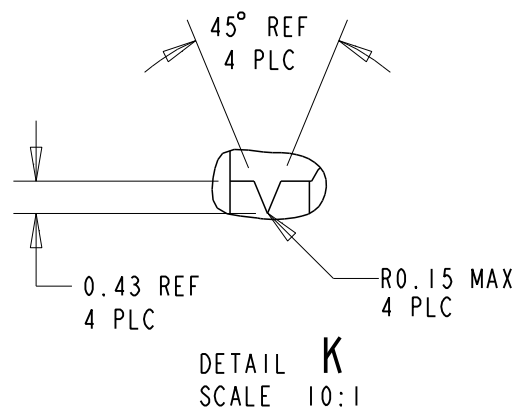
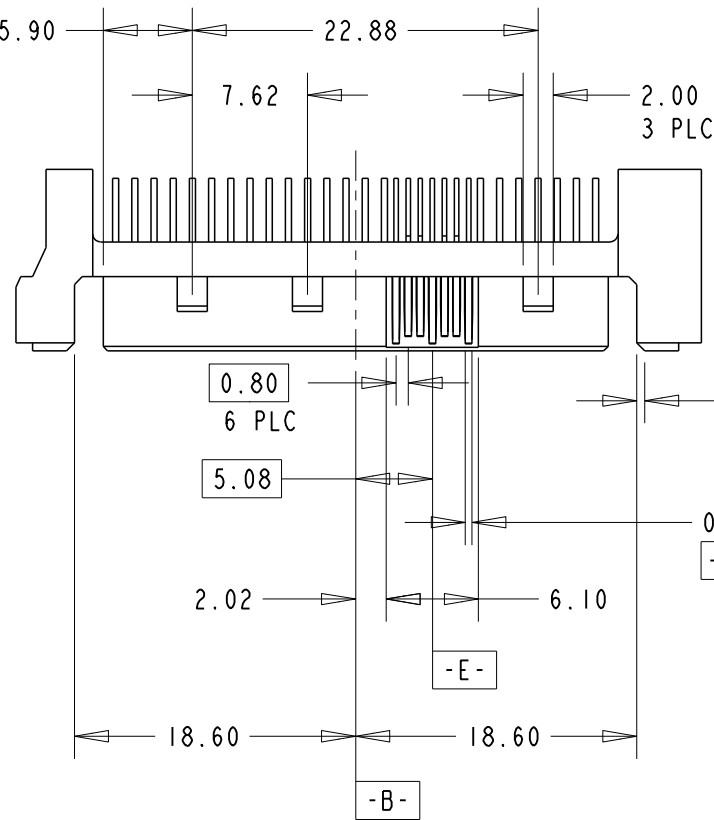
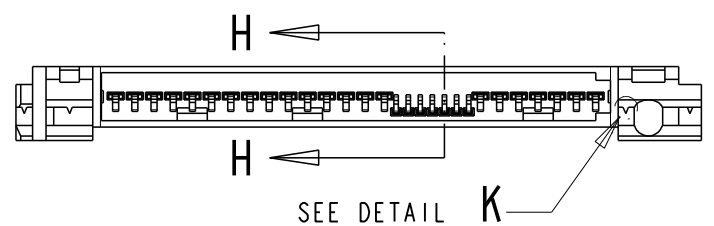
SCALE 2:1

1735078-1
 PART NO.

THIS DRAWING IS A CONTROLLED DOCUMENT FOR AMP INCORPORATED. IT IS SUBJECT TO CHANGE AND THE CONTROLLING ENGINEERING ORGANIZATION SHOULD BE CONTACTED FOR THE LATEST REVISION.		DWN WYLEE 15SEP04	Tyco Electronics Singapore Pte. Ltd.	
DIMENSIONS: mm	TOLERANCES UNLESS OTHERWISE SPECIFIED:	CHK AP TAY	NAME PLUG, SAS 15+7+7P	
	0 PLC ± 1 PLC ± 2 PLC ±0.15 3 PLC ±0.15 4 PLC ± ANGLES ±2°	APVD SE LEONG	SIZE A3	CAGE CODE 00779
MATERIAL	FINISH	PRODUCT SPEC -	DRAWING NO C-1735078	SCALE 2:1
		APPLICATION SPEC -	WEIGHT -	SHEET 1 OF 2
		CUSTOMER DRAWING		REV C

THIS DRAWING IS UNPUBLISHED. RELEASED FOR PUBLICATION .19 .
 © COPYRIGHT 19 BY AMP INCORPORATED. ALL RIGHTS RESERVED.

LOC	DIST	REVISIONS					
DY	-	P	LTR	DESCRIPTION	DATE	DWN	APVD
				SEE SHEET 1			



RECOMMENDED PCB MOUNTING SCALE 2:1

THIS DRAWING IS A CONTROLLED DOCUMENT FOR AMP INCORPORATED. IT IS SUBJECT TO CHANGE AND THE CONTROLLING ENGINEERING ORGANIZATION SHOULD BE CONTACTED FOR THE LATEST REVISION.		DWN WYLEE 15SEP04	Tyco Electronics Singapore Pte. Ltd.	
DIMENSIONS: mm		CHK AP TAY	NAME PLUG, SAS 15+7+7P	
TOLERANCES UNLESS OTHERWISE SPECIFIED:		APVD SE LEONG	DRAWING NO C-1735078	
0 PLC ±		PRODUCT SPEC -	SIZE A3	CAGE CODE 00779
1 PLC ±		APPLICATION SPEC -	DRAWING NO C-1735078	
2 PLC ±0.15		WEIGHT -	SCALE 2:1	SHEET 2 OF 2
3 PLC ±0.15		CUSTOMER DRAWING	REV C	
4 PLC ±				
ANGLES ±2°				
MATERIAL 1	FINISH 2			