



Chipsmall Limited consists of a professional team with an average of over 10 year of expertise in the distribution of electronic components. Based in Hongkong, we have already established firm and mutual-benefit business relationships with customers from,Europe,America and south Asia,supplying obsolete and hard-to-find components to meet their specific needs.

With the principle of "Quality Parts,Customers Priority,Honest Operation,and Considerate Service",our business mainly focus on the distribution of electronic components. Line cards we deal with include Microchip,ALPS,ROHM,Xilinx,Pulse,ON,Everlight and Freescale. Main products comprise IC,Modules,Potentiometer,IC Socket,Relay,Connector.Our parts cover such applications as commercial,industrial, and automotives areas.

We are looking forward to setting up business relationship with you and hope to provide you with the best service and solution. Let us make a better world for our industry!



Contact us

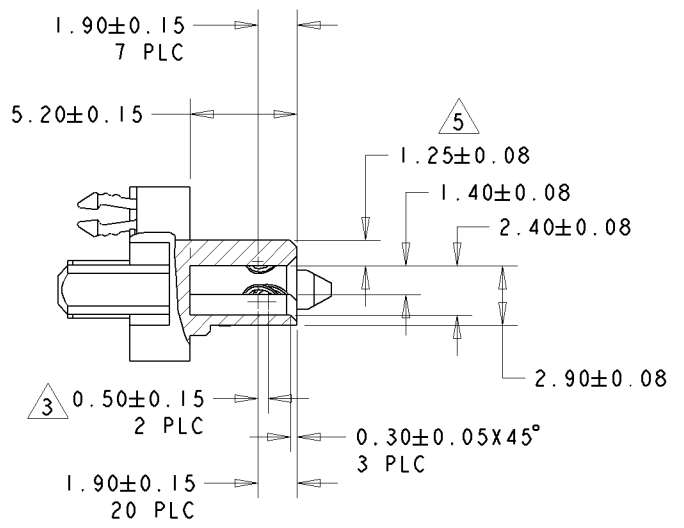
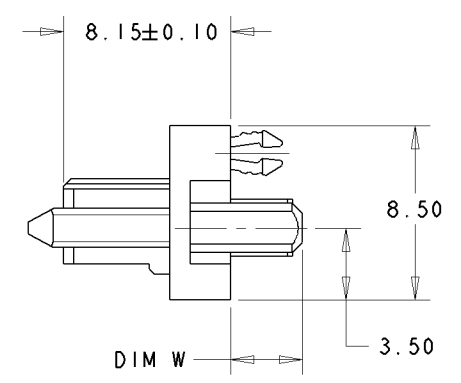
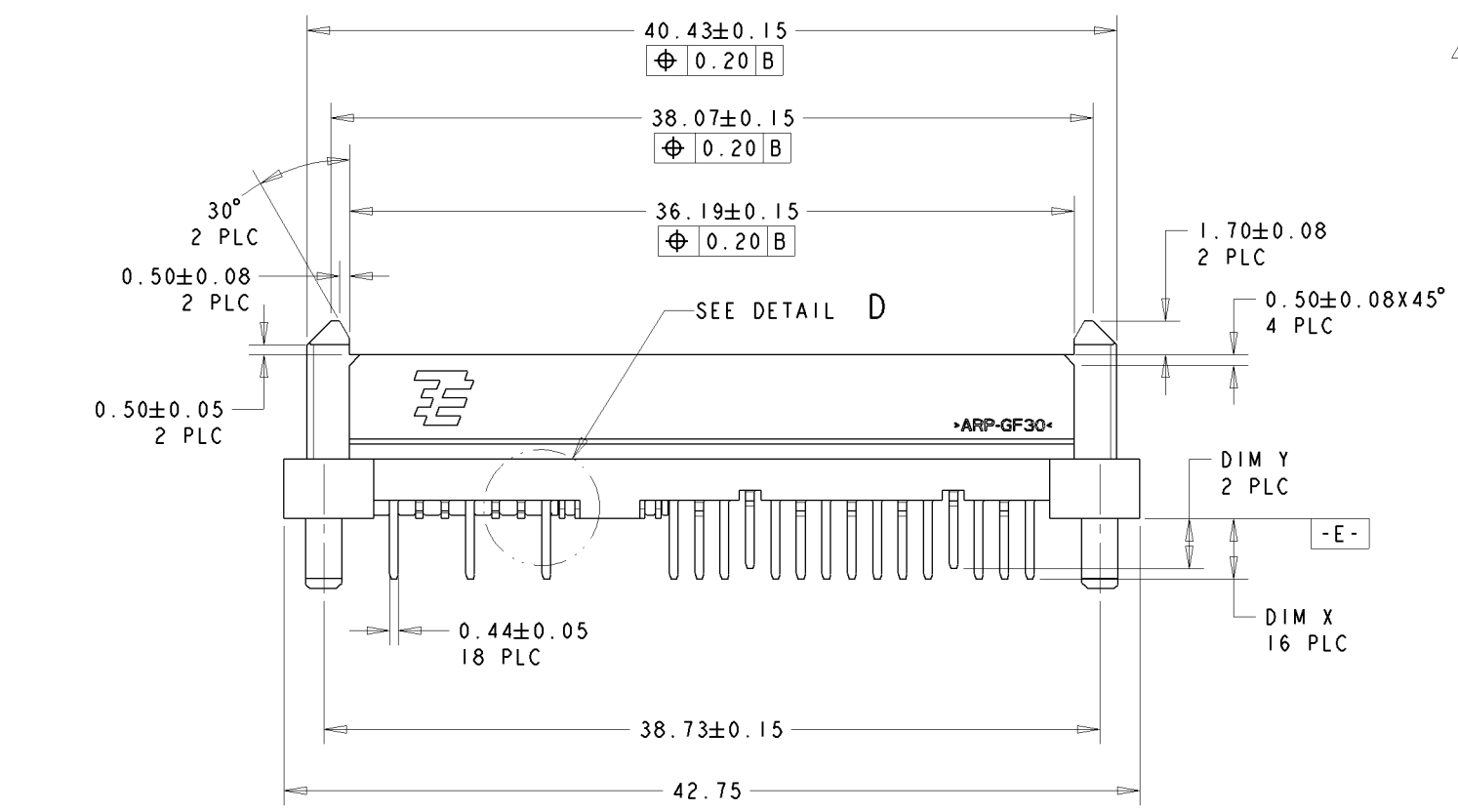
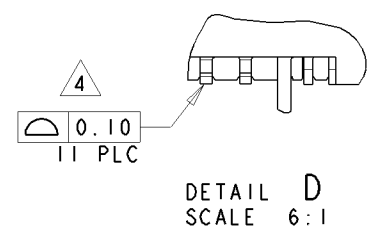
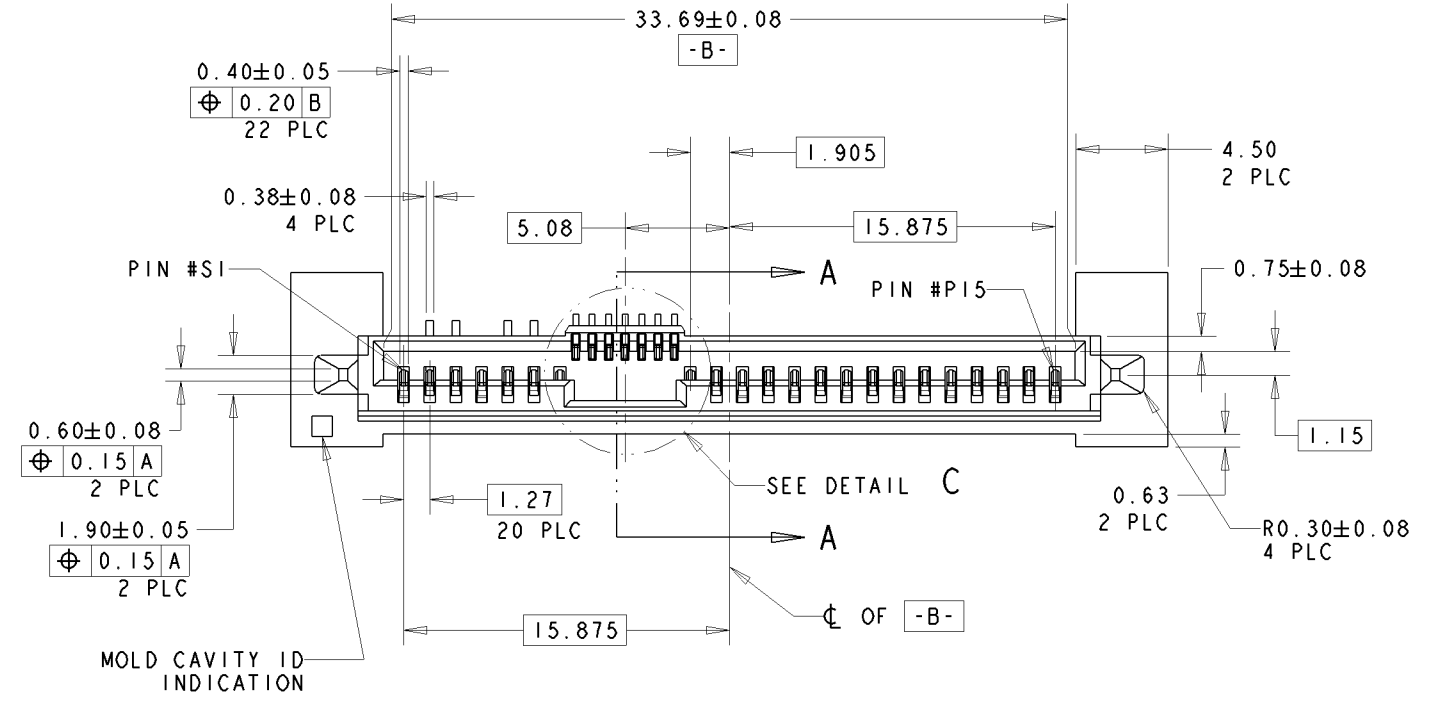
Tel: +86-755-8981 8866 Fax: +86-755-8427 6832

Email & Skype: info@chipsmall.com Web: www.chipsmall.com

Address: A1208, Overseas Decoration Building, #122 Zhenhua RD., Futian, Shenzhen, China



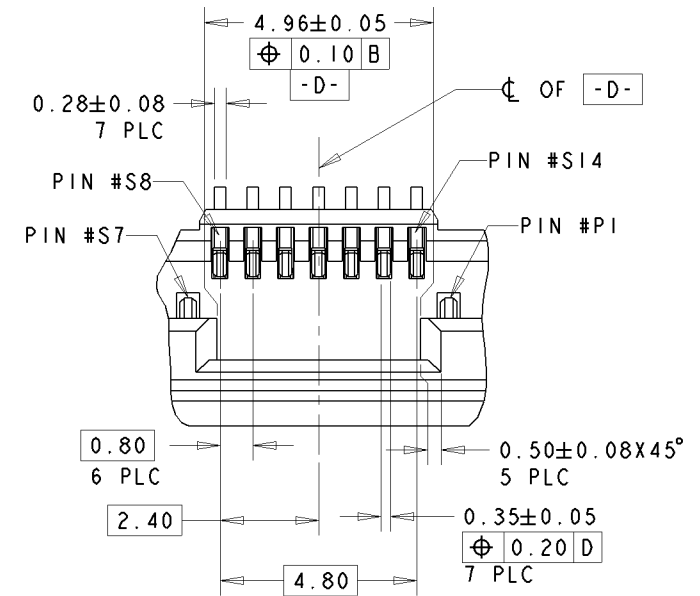
LOC	DIST	REVISIONS					
		F	LTR	DESCRIPTION	DATE	DWN	APVD
DY	-	D1		REVISED PER ECO-11-005139	19MAR11	RK	HMR



SECTION A-A

NOTES:

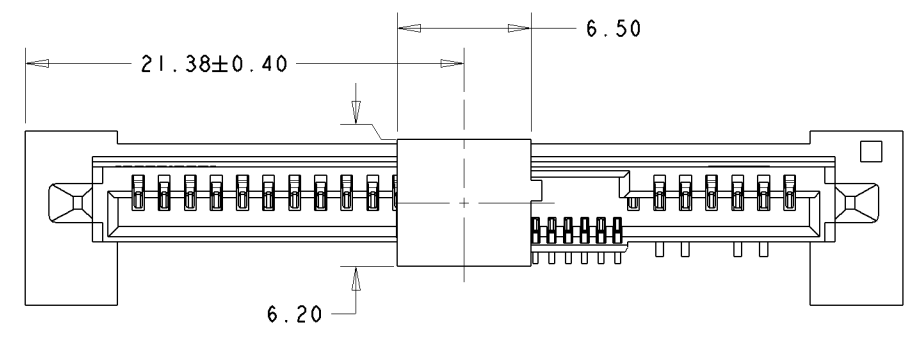
- 1 MATERIAL:
HOUSING: HIGH TEMP THERMOPLASTIC, UL94V-0,
COLOR: BLACK
CONTACT: COPPER ALLOY
BOARDLOCK: COPPER ALLOY
- 2 FINISH:
CONTACT AREA: MIN 0.76um GOLD PLATING
SOLDERTAIL: MIN 2.54um MATTE TIN PLATING
UNDERPLATE: MIN 1.27um NICKEL PLATING
- 3 PIN #P4 AND #P12 ONLY
- 4 SOLDER TAIL TO BE 0.05 MAX ABOVE AND 0.10 MAX BELOW DATUM E
- 5 1.33 MAX MEASURED AT -C-
- 6 MAX DIMENSION. -0.20mm TOLERANCE APPLIES.



DIM Z	DIM Y	DIM X	DIM W	PACKAGING	BOARDLOCK	PICK-UP CAP	PART NUMBER
2.11	2.11	2.11	2.11	TAPE & REEL	FORK TYPE (2)	YES	2-1735104-1
2.79	3.81	4.31	3.50	TAPE & REEL	ZIF TYPE (3)	YES	1-1735104-6
2.30	2.30	2.30	2.30	TAPE & REEL	ZIF TYPE (3)	YES	1-1735104-5
2.79	3.20	3.70	3.50	TAPE & REEL	ZIF TYPE (3)	YES	1-1735104-4
2.79	2.52	3.02	3.50	TAPE & REEL	ZIF TYPE (3)	YES	1-1735104-3
2.79	3.20	3.70	3.50	TRAY	ZIF TYPE (3)	YES	1735104-4
2.79	2.52	3.02	3.50	TRAY	ZIF TYPE (3)	YES	1735104-3
2.55	2.52	3.02	3.50	TRAY	FORK TYPE (2)	NO	1735104-1

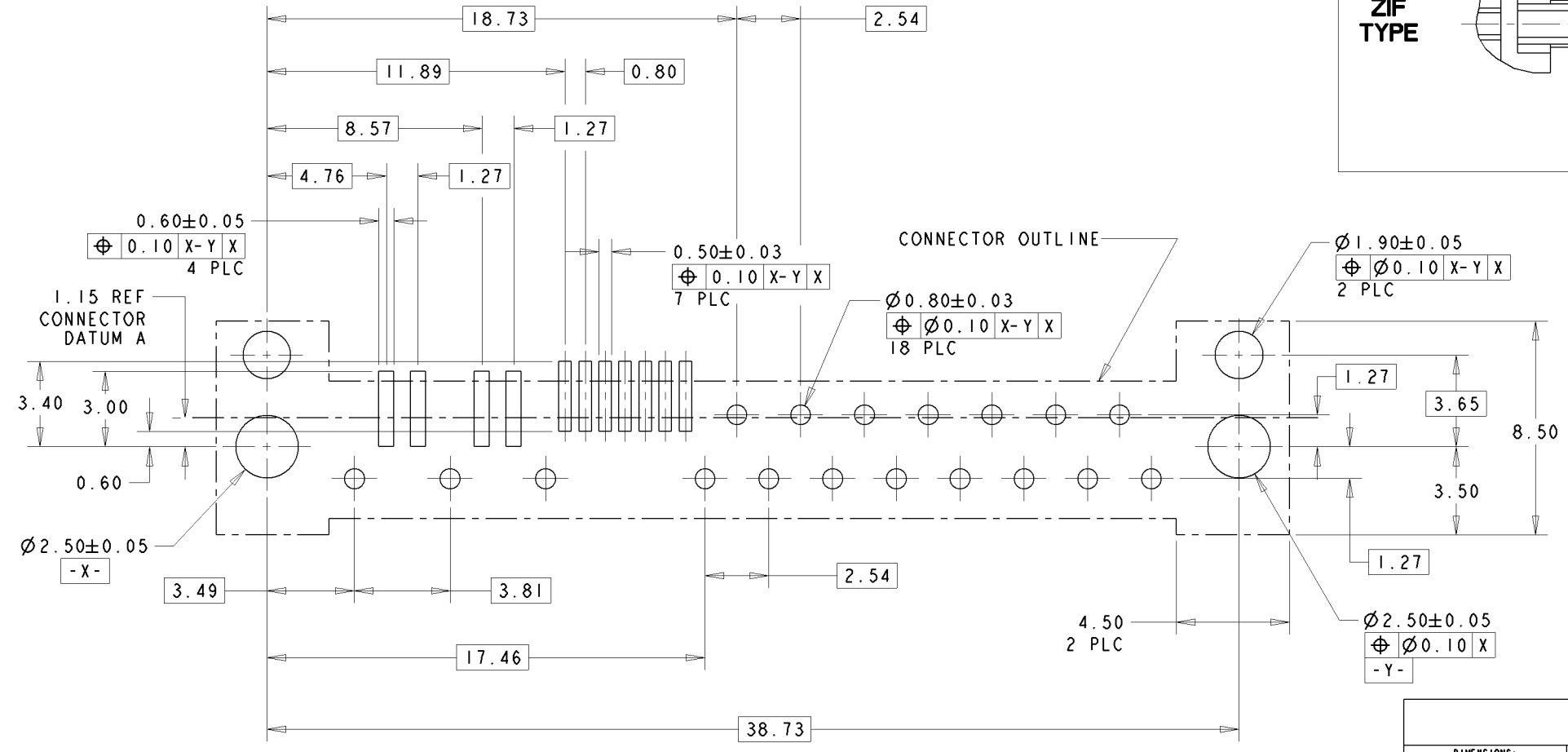
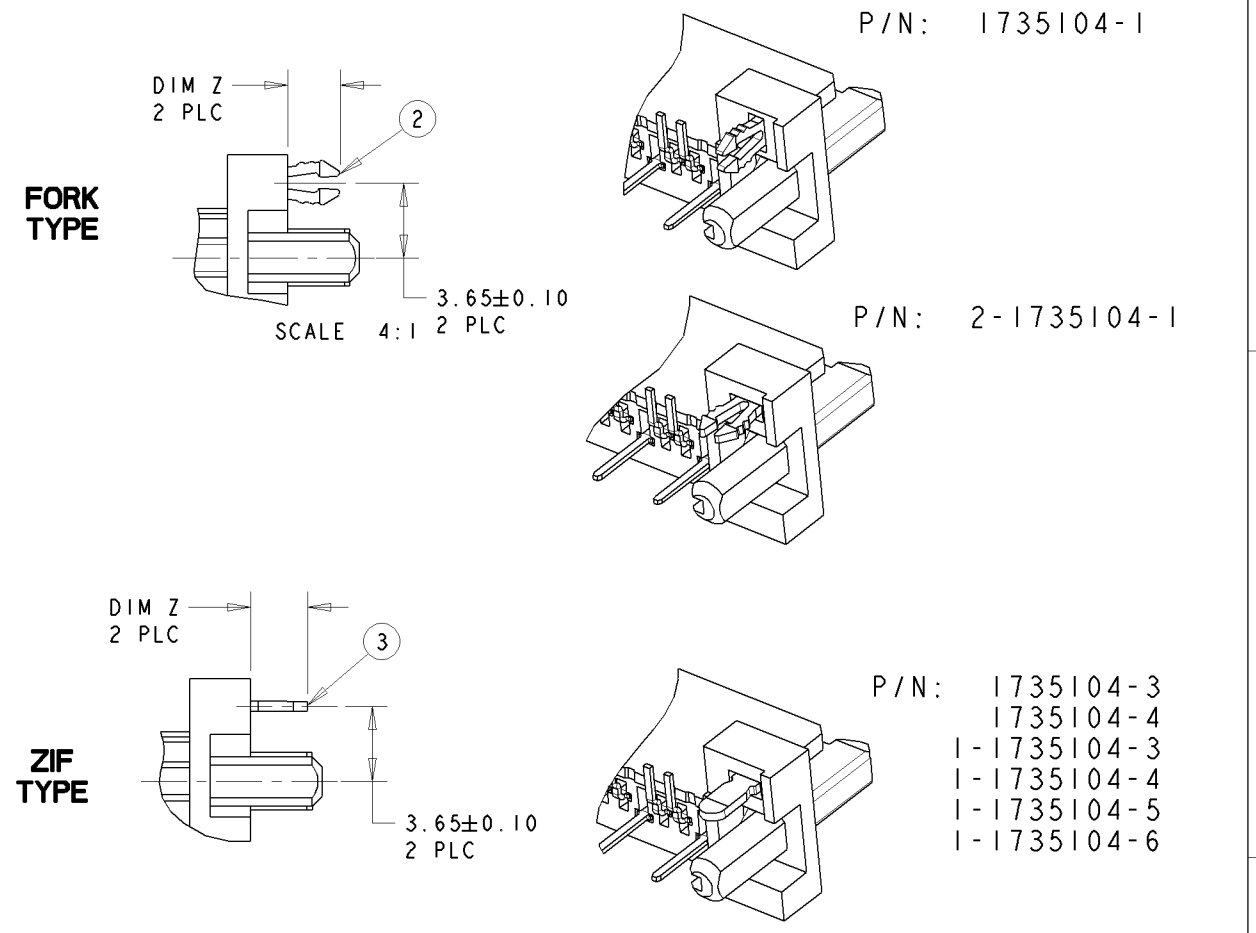
DIMENSIONS - mm TOLERANCES UNLESS OTHERWISE SPECIFIED: 0 PLC ± 1 PLC ± 2 PLC ±0.20 3 PLC ± 4 PLC ± ANGLES ±3° FINISH		DWN SK LEAW 29JUL2005 CHK SF LEONG 29JUL2005 APVD SF LEONG 29JUL2005 PRODUCT SPEC 108-51067 APPLICATION SPEC MATERIAL 1 WEIGHT CUSTOMER DRAWING	TE Connectivity SAS BACKPLANE RECEPTACLE, VERTICAL, HYBRID SIZE A2 CAGE CODE 00779 DRAWING NO C=1735104 SCALE 4:1 SHEET 1 OF 2 REV D1
--	--	--	---

VIEW SHOWN WITH PICK-UP CAP

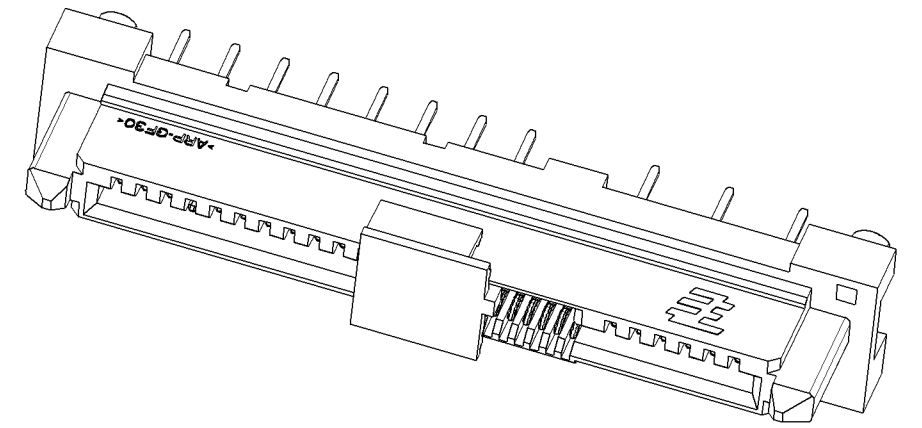


- P/N: 1735104-3
 1735104-4
 1-1735104-3
 1-1735104-4
 1-1735104-5
 1-1735104-6
 2-1735104-1

BOARDLOCK CONFIGURATION



RECOMMENDED PCB LAYOUT
 SCALE 6:1



DIMENSIONS mm	TOLERANCES UNLESS OTHERWISE SPECIFIED: 0 PLC ± 1 PLC ± 2 PLC ±0.20 3 PLC ± 4 PLC ± ANGLES ±3° FINISH -	DWN SK LEAW 29 JUL 2005	NAME SAS BACKPLANE RECEPTACLE, VERTICAL, HYBRID
		CHK SF LEONG 29 JUL 2005	
MATERIAL		APVD SF LEONG 29 JUL 2005	SIZE A2
		PRODUCT SPEC 108-51067	CAGE CODE 00779
		APPLICATION SPEC -	DRAWING NO C=1735104
		WEIGHT -	SCALE 4:1 SHEET 2 OF 2 REV D1
		CUSTOMER DRAWING	