



Chipsmall Limited consists of a professional team with an average of over 10 year of expertise in the distribution of electronic components. Based in Hongkong, we have already established firm and mutual-benefit business relationships with customers from,Europe,America and south Asia,supplying obsolete and hard-to-find components to meet their specific needs.

With the principle of “Quality Parts,Customers Priority,Honest Operation,and Considerate Service”,our business mainly focus on the distribution of electronic components. Line cards we deal with include Microchip,ALPS,ROHM,Xilinx,Pulse,ON,Everlight and Freescale. Main products comprise IC,Modules,Potentiometer,IC Socket,Relay,Connector.Our parts cover such applications as commercial,industrial, and automotives areas.

We are looking forward to setting up business relationship with you and hope to provide you with the best service and solution. Let us make a better world for our industry!



## Contact us

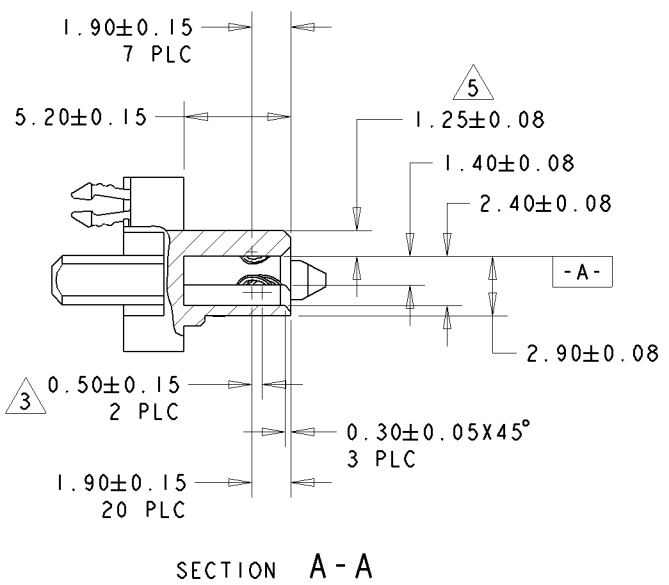
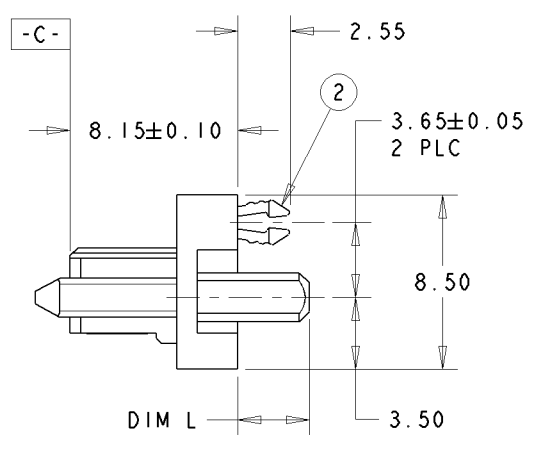
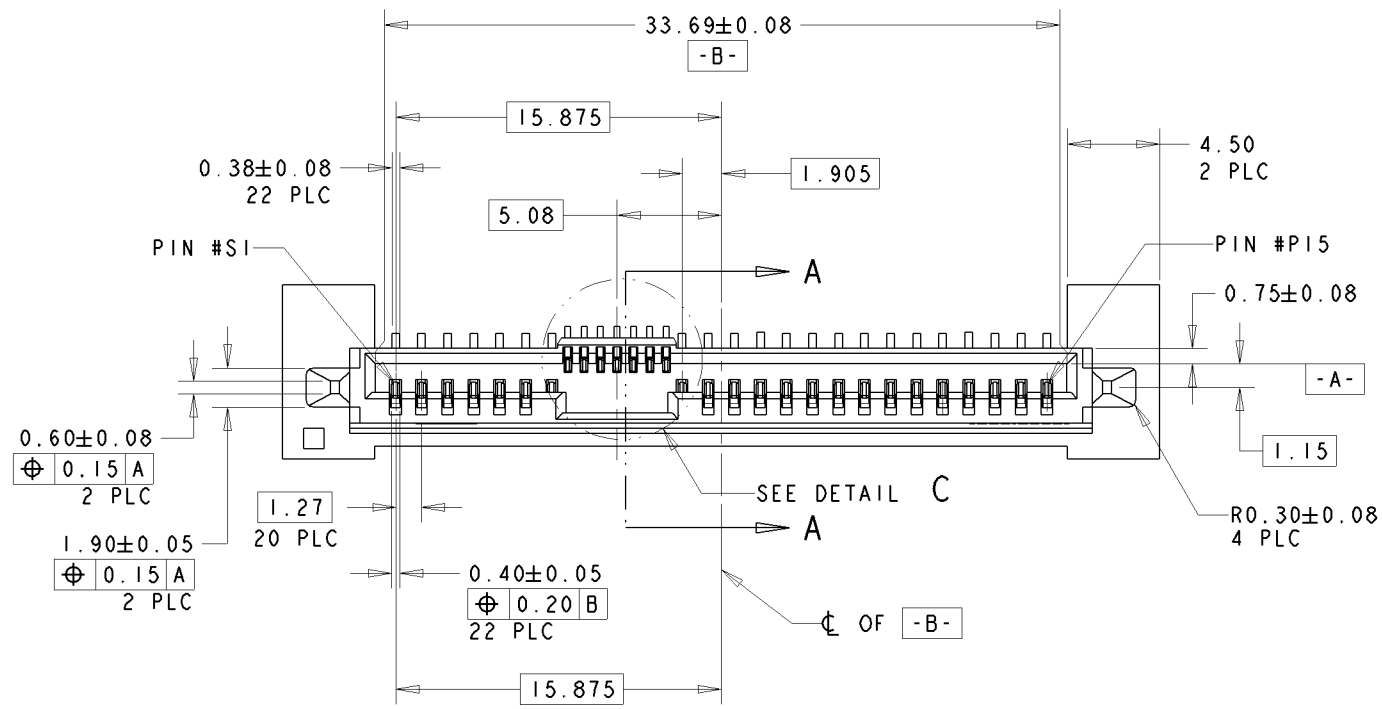
Tel: +86-755-8981 8866 Fax: +86-755-8427 6832

Email & Skype: info@chipsmall.com Web: www.chipsmall.com

Address: A1208, Overseas Decoration Building, #122 Zhenhua RD., Futian, Shenzhen, China

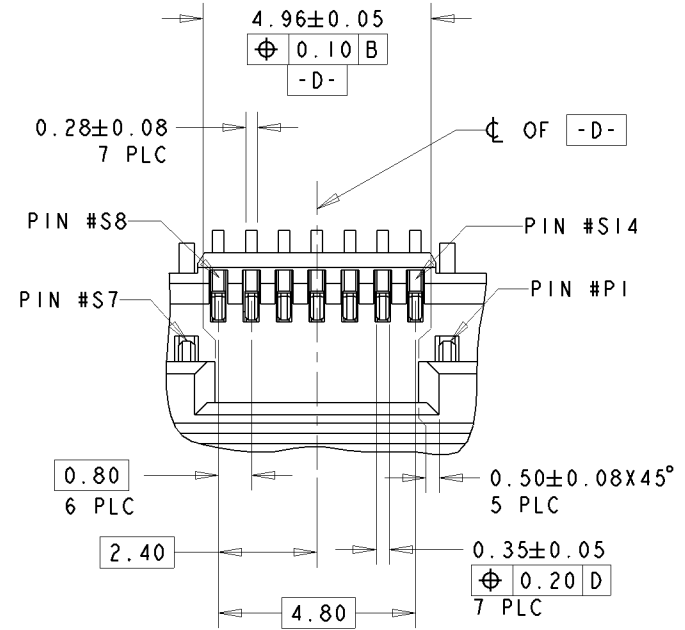
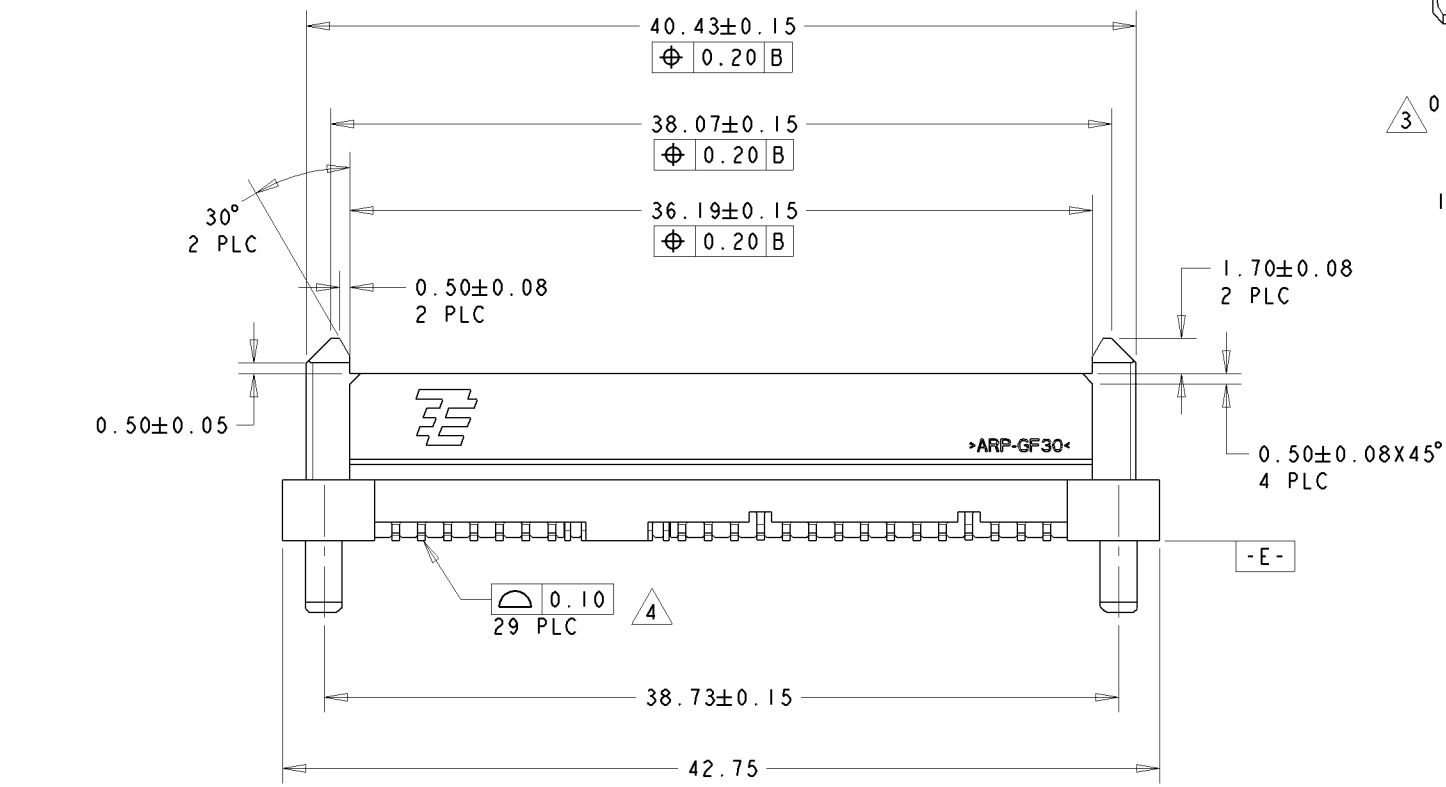


LOC	DIST	REVISIONS			
P	LTR	DESCRIPTION	DATE	DWN	APVD
DY	-				
-	B	REVISED ECR-10-012418	14JUN10	LSK	LSF



NOTES:

- 1 MATERIAL:  
HOUSING: HIGH TEMP THERMOPLASTIC, UL94V-0,  
COLOR: BLACK  
CONTACT: COPPER ALLOY  
BOARDLOCK: COPPER ALLOY
- 2 FINISH:  
CONTACT AREA: MIN 0.76um GOLD PLATING  
SOLDERTAIL: MIN 2.54um MATTE TIN PLATING  
UNDERPLATE: MIN 1.27um NICKEL PLATING
- 3 PIN #P4 AND #P12 ONLY
- 4 SOLDERTAIL TO BE 0.05 MAX ABOVE AND  
0.10 MAX BELOW DATUM E
- 5 1.33 MAX MEASURED AT -C-



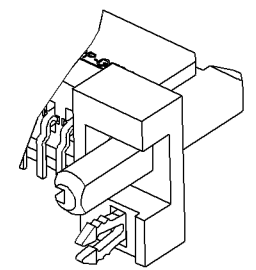
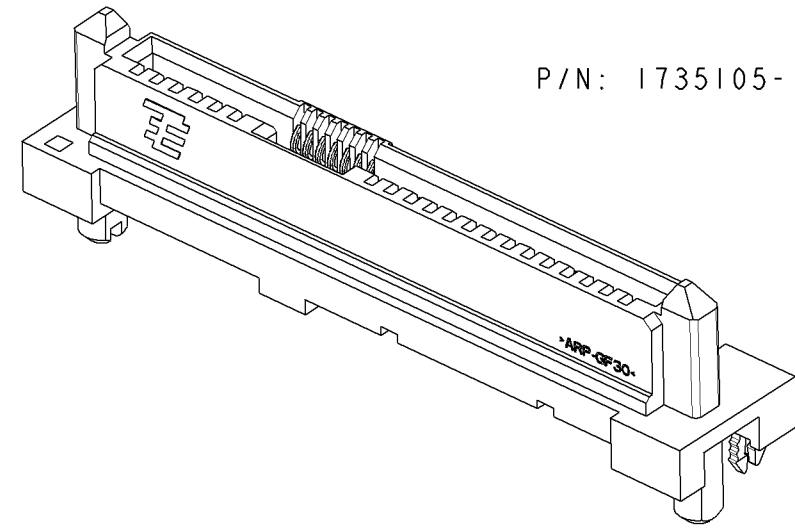
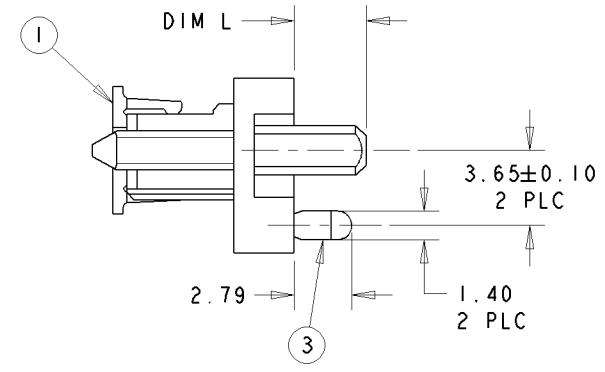
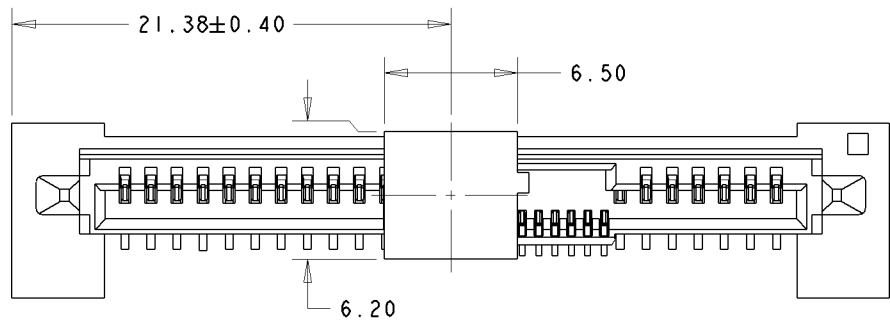
DETAIL C  
SCALE 8:1

TAPE & REEL	ZIF TYPE (3)	2.30	YES	1-1735105-3
TAPE & REEL	ZIF TYPE (3)	3.50	YES	1-1735105-2
TRAY	ZIF TYPE (3)	3.50	YES	1735105-2
TRAY	FORK TYPE (2)	3.50	NO	1735105-1
PACKAGING	BOARDLOCK	DIM L	PICK-UP CAP (1)	PART NUMBER

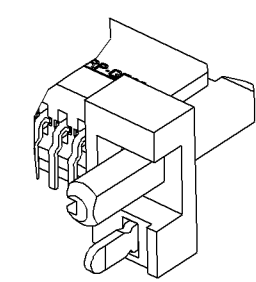
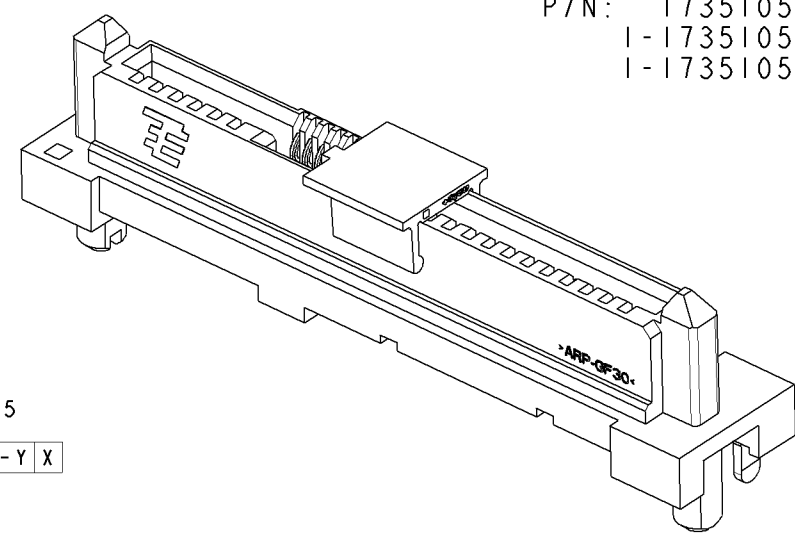
THIS DRAWING IS A CONTROLLED DOCUMENT FOR AMP INCORPORATED. IT IS SUBJECT TO CHANGE AND THE CONTROLLING ENGINEERING ORGANIZATION SHOULD BE CONTACTED FOR THE LATEST REVISION.		DWN SK LEAW 29JUL2005 CHK SF LEONG 29JUL2005 APVD SF LEONG 29JUL2005	Tyco Electronics Singapore Pte. Ltd.
DIMENSIONS - mm 	TOLERANCES UNLESS OTHERWISE SPECIFIED: 0 PLC ± 1 PLC ± 2 PLC ±0.20 3 PLC ± 4 PLC ± ANGLES ±3° FINISH	NAME SAS BACKPLANE RECEPTACLE, VERTICAL, SMT PRODUCT SPEC 108-51067 APPLICATION SPEC	SIZE A2 CAGE CODE 00779 DRAWING NO C=1735105
MATERIAL		WEIGHT	SCALE 4:1 SHEET 1 OF 2 REV B
CUSTOMER DRAWING			

LOC	DIST	REVISIONS			
P	LTR	DESCRIPTION	DATE	DWN	APVD
DY	-	SEE SHEET 1	-	-	-

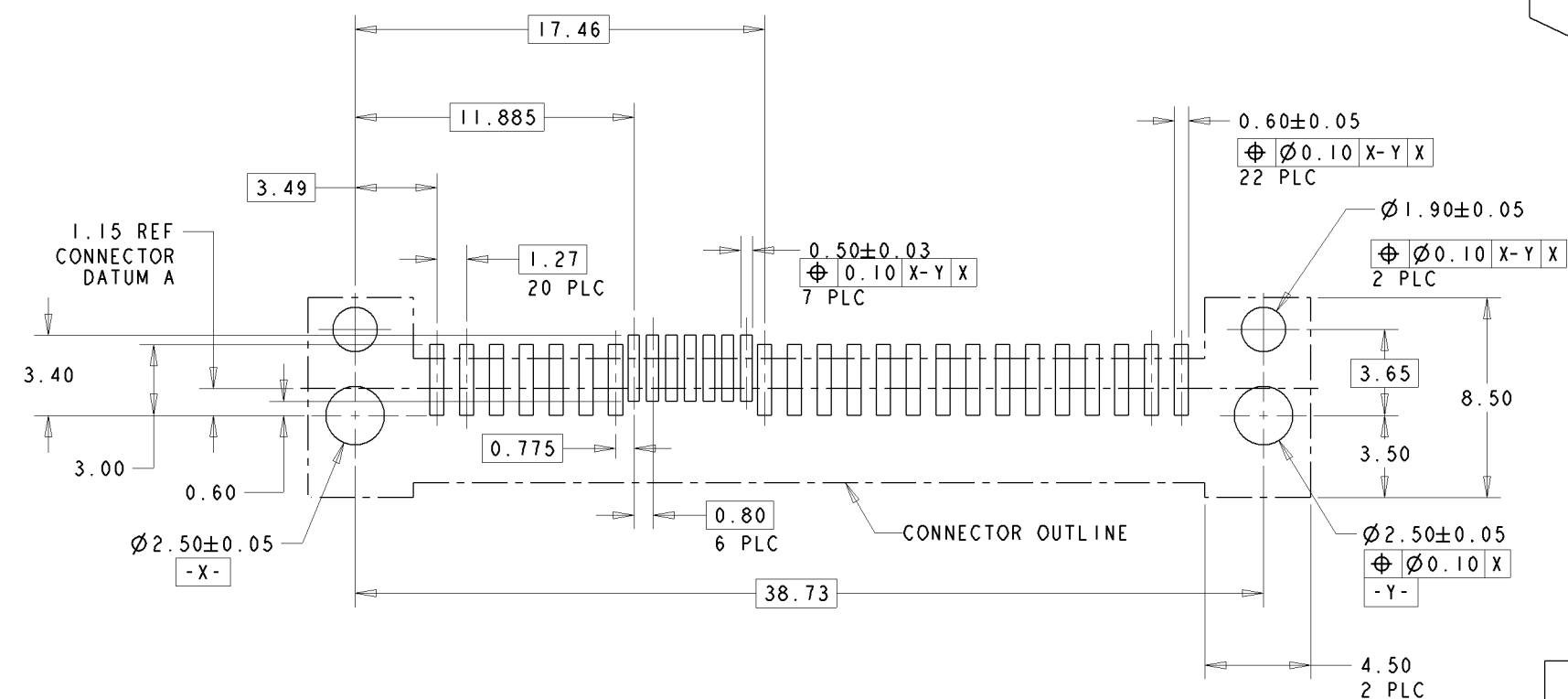
P/N: 1735105-2 AS SHOWN  
 1-1735105-2  
 1-1735105-3



P/N: 1735105-1



P/N: 1735105-2  
 1-1735105-2  
 1-1735105-3



RECOMMENDED PCB LAYOUT  
 SCALE 5:1

THIS DRAWING IS A CONTROLLED DOCUMENT FOR AMP INCORPORATED. IT IS SUBJECT TO CHANGE AND THE CONTROLLING ENGINEERING ORGANIZATION SHOULD BE CONTACTED FOR THE LATEST REVISION.		DWN SK LEAW 29JUL2005	Tyco Electronics Singapore Pte. Ltd.	
DIMENSIONS - mm		CHK SF LEONG 29JUL2005	NAME SAS BACKPLANE RECEPTACLE, VERTICAL, SMT	
TOLERANCES UNLESS OTHERWISE SPECIFIED:		APVD SF LEONG 29JUL2005	SIZE A2	CAGE CODE 00779
0 PLC	±	PRODUCT SPEC 108-51067	DRAWING NO C=1735105	SCALE 4:1
1 PLC	±	APPLICATION SPEC	REV B	SHEET 2 OF 2
2 PLC	±0.20	WEIGHT -	CUSTOMER DRAWING	
3 PLC	±			
4 PLC	±			
ANGLES	±3°			
FINISH	-			