



Chipsmall Limited consists of a professional team with an average of over 10 year of expertise in the distribution of electronic components. Based in Hongkong, we have already established firm and mutual-benefit business relationships with customers from,Europe,America and south Asia,supplying obsolete and hard-to-find components to meet their specific needs.

With the principle of “Quality Parts,Customers Priority,Honest Operation,and Considerate Service”,our business mainly focus on the distribution of electronic components. Line cards we deal with include Microchip,ALPS,ROHM,Xilinx,Pulse,ON,Everlight and Freescale. Main products comprise IC,Modules,Potentiometer,IC Socket,Relay,Connector.Our parts cover such applications as commercial,industrial, and automotives areas.

We are looking forward to setting up business relationship with you and hope to provide you with the best service and solution. Let us make a better world for our industry!



## Contact us

Tel: +86-755-8981 8866 Fax: +86-755-8427 6832

Email & Skype: info@chipsmall.com Web: www.chipsmall.com

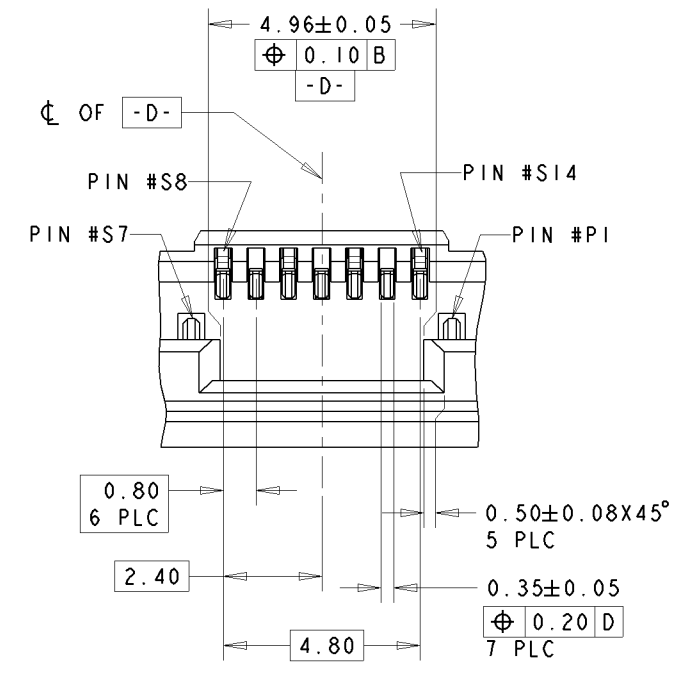
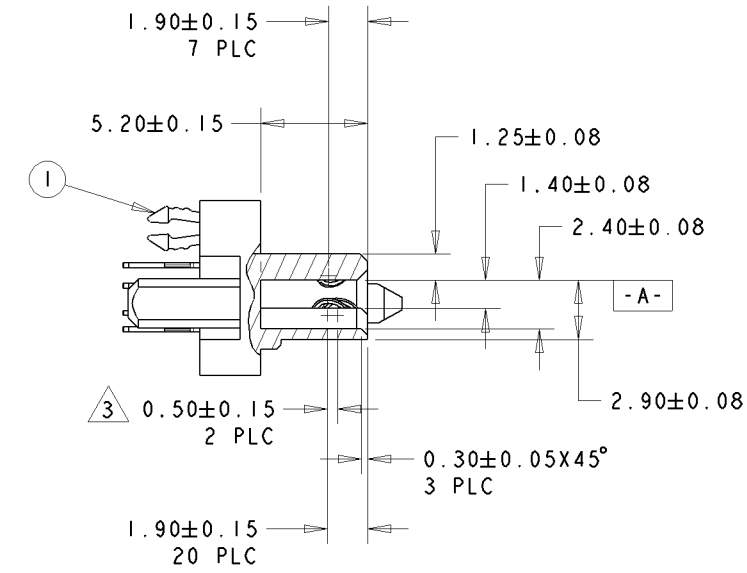
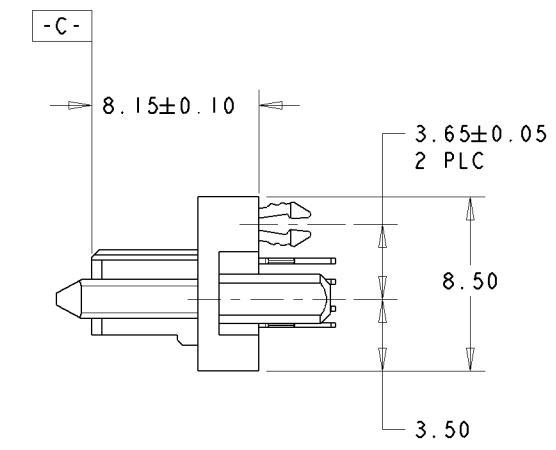
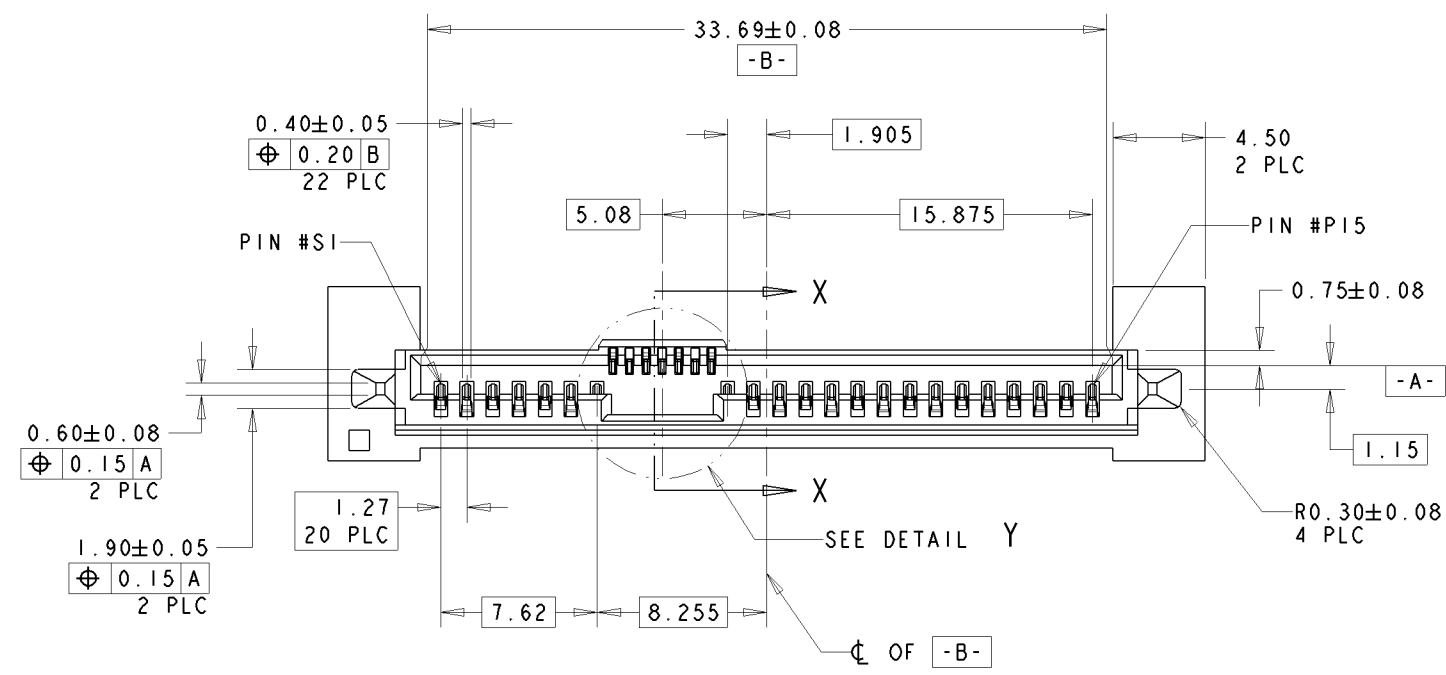
Address: A1208, Overseas Decoration Building, #122 Zhenhua RD., Futian, Shenzhen, China



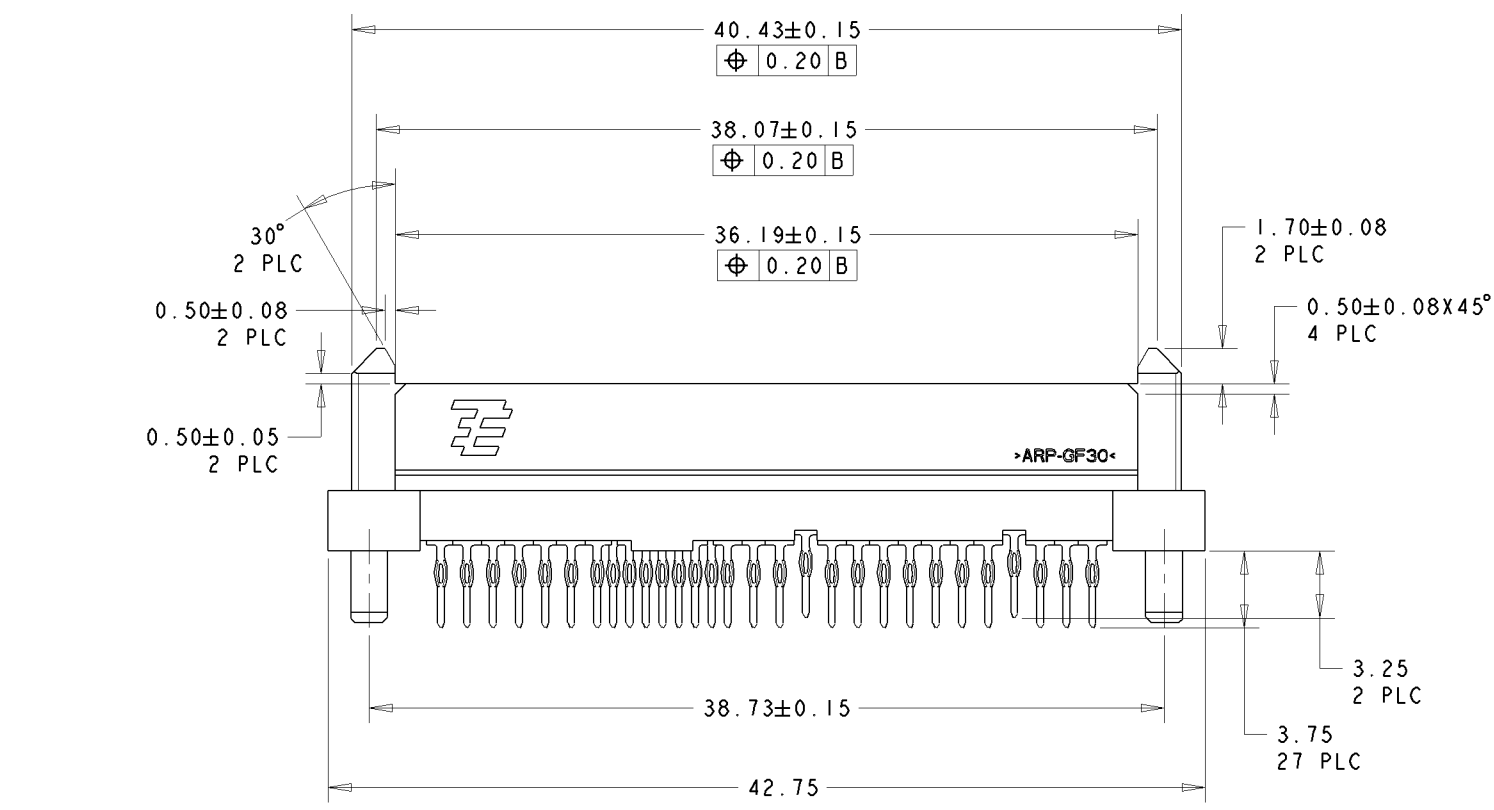
LOC	DIST	REVISIONS					
		P	LTR	DESCRIPTION	DATE	DWN	APVD
DY	-	B		REVISED ECR-10-012418	11JUN10	LSK	LSF

NOTES:

- 1 MATERIAL:  
 HOUSING: HIGH TEMP THERMOPLASTIC, UL94V-0,  
 COLOR: BLACK  
 CONTACT: COPPER ALLOY  
 BOARDLOCK: COPPER ALLOY
- 2 FINISH:  
 CONTACT AREA: MIN 0.76um GOLD PLATING  
 SOLDER TAIL: MIN 2.54um MATTE TIN PLATING  
 UNDERPLATE: MIN 1.27um NICKEL PLATING
- 3 PIN #P4 AND #P12 ONLY



DETAIL Y  
SCALE 8:1



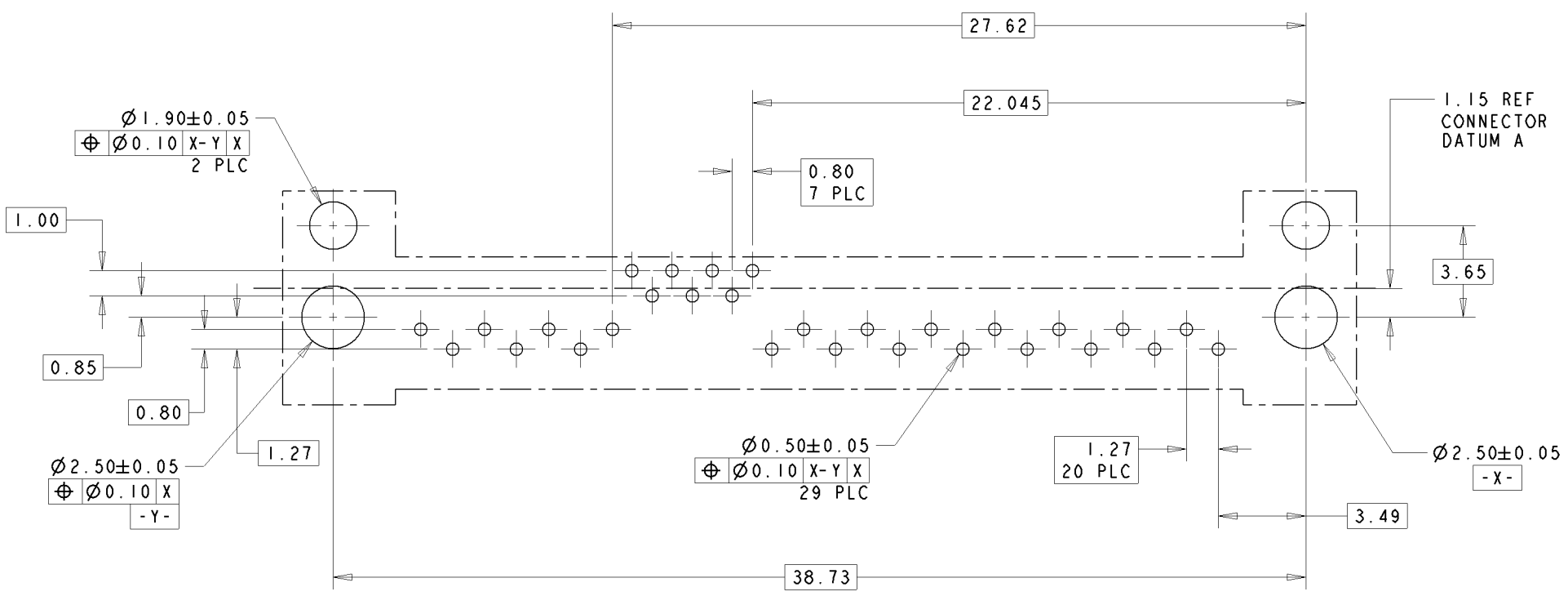
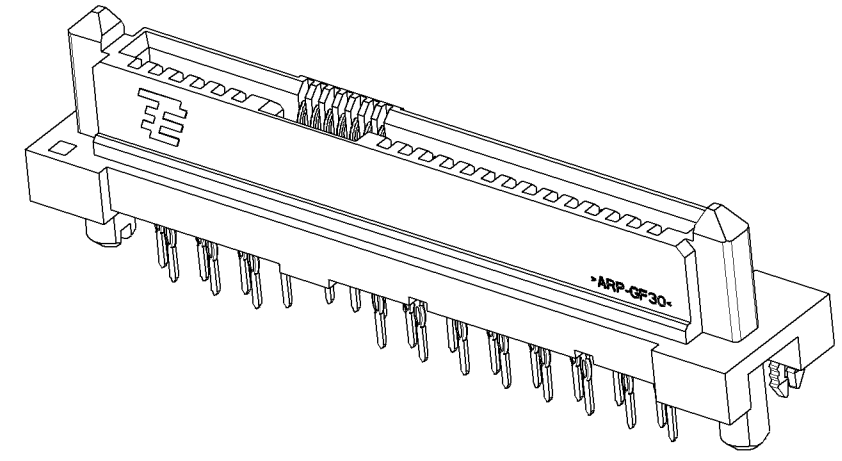
DIMENSIONS		TOLERANCES UNLESS OTHERWISE SPECIFIED:	
mm		0 PLC	±
		1 PLC	±
		2 PLC	±0.20
		3 PLC	±
		4 PLC	±
		ANGLES	±3°
		FINISH	2

DWN	SK LEAW	10JUN2005	Tyco Electronics	
CHK	SF LEONG	10JUN2005	Singapore Pte. Ltd.	
APVD	SF LEONG	10JUN2005	NAME	
PRODUCT SPEC			SAS BACKPLANE RECEPTACLE, VERTICAL, PRESS-FIT	
APPLICATION SPEC			SIZE	A2
WEIGHT			CAGE CODE	00779
CUSTOMER DRAWING			DRAWING NO	C=1735164
			SCALE	4:1
			SHEET	1 of 2
			REV	B

NO	1735164-2
YES	1735164-1
BOARDLOCK (1)	PART NUMBER

THIS DRAWING IS UNPUBLISHED. RELEASED FOR PUBLICATION .19  
 (C) COPYRIGHT 19 BY AMP INCORPORATED. ALL RIGHTS RESERVED.

LOC	DIST	REVISIONS			
P	LTR	DESCRIPTION	DATE	DWN	APVD
DY	-	SEE SHEET 1	-	-	-



RECOMMENDED PCB LAYOUT  
 SCALE 6:1

THIS DRAWING IS A CONTROLLED DOCUMENT FOR AMP INCORPORATED. IT IS SUBJECT TO CHANGE AND THE CONTROLLING ENGINEERING ORGANIZATION SHOULD BE CONTACTED FOR THE LATEST REVISION.		DWN SK LEAW 10JUN2005	Tyco Electronics Singapore Pte. Ltd.	
		CHK SF LEONG 10JUN2005	NAME SAS BACKPLANE RECEPTACLE, VERTICAL, PRESS-FIT	
		APVD SF LEONG 10JUN2005	SIZE A2	CAGE CODE 00779
DIMENSIONS - mm		PRODUCT SPEC 108-51067	DRAWING NO C=1735164	
TOLERANCES UNLESS OTHERWISE SPECIFIED:		APPLICATION SPEC 114-51013	SCALE 4:1	SHEET 2 OF 2
0 PLC ±		WEIGHT -	REV B	
1 PLC ±		CUSTOMER DRAWING		
2 PLC ±0.20				
3 PLC ±				
4 PLC ±				
ANGLES ±3°				
FINISH -				