



Chipsmall Limited consists of a professional team with an average of over 10 year of expertise in the distribution of electronic components. Based in Hongkong, we have already established firm and mutual-benefit business relationships with customers from,Europe,America and south Asia,supplying obsolete and hard-to-find components to meet their specific needs.

With the principle of “Quality Parts,Customers Priority,Honest Operation,and Considerate Service”,our business mainly focus on the distribution of electronic components. Line cards we deal with include Microchip,ALPS,ROHM,Xilinx,Pulse,ON,Everlight and Freescale. Main products comprise IC,Modules,Potentiometer,IC Socket,Relay,Connector.Our parts cover such applications as commercial,industrial, and automotives areas.

We are looking forward to setting up business relationship with you and hope to provide you with the best service and solution. Let us make a better world for our industry!



## Contact us

Tel: +86-755-8981 8866 Fax: +86-755-8427 6832

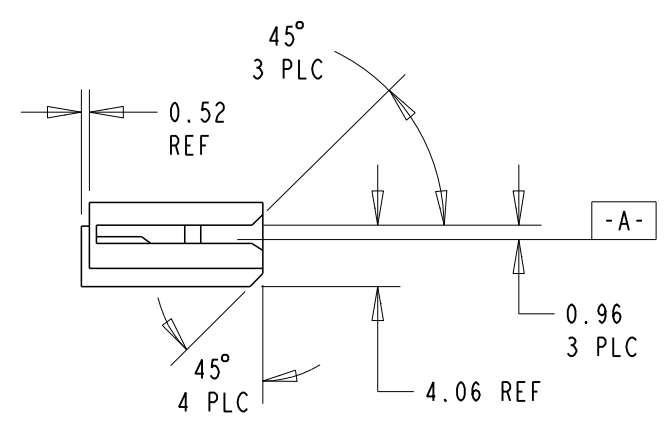
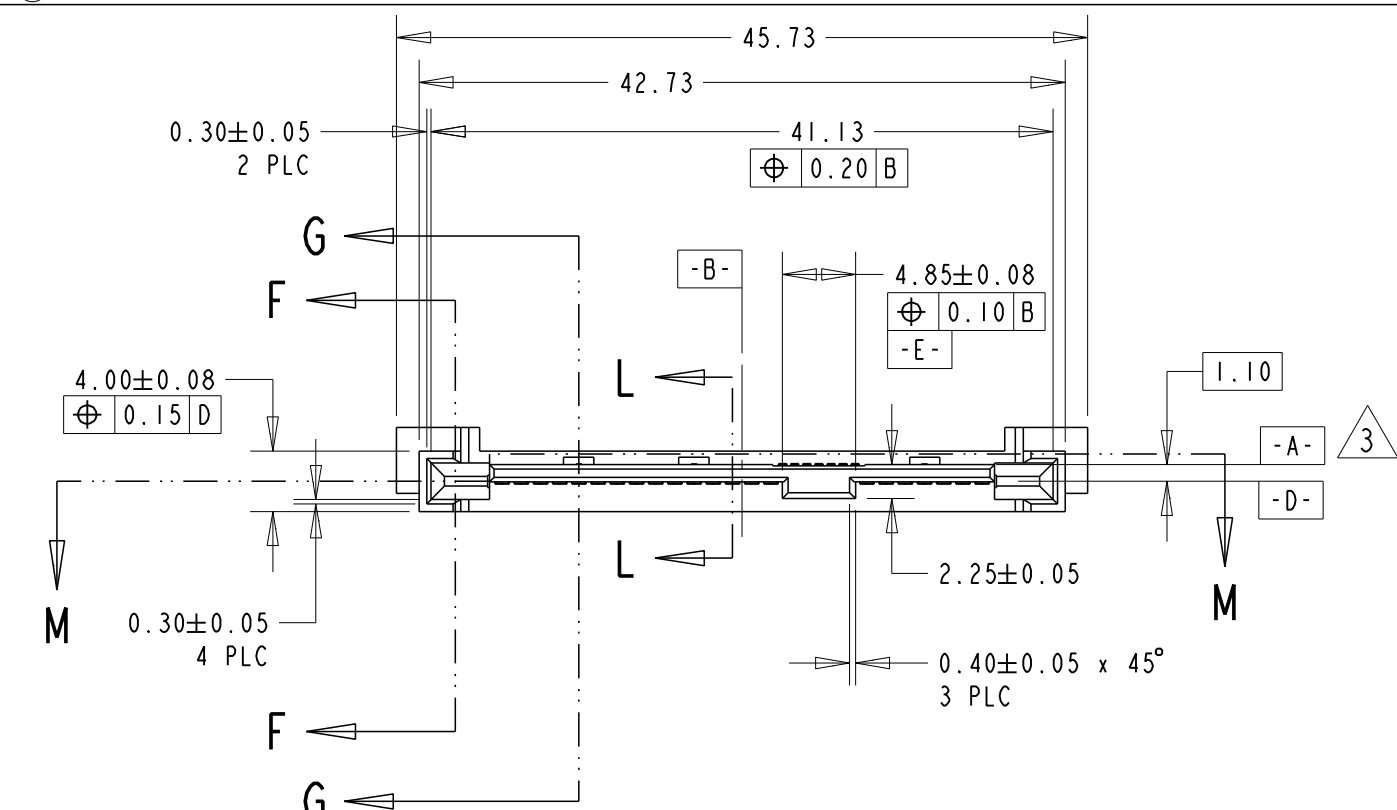
Email & Skype: info@chipsmall.com Web: www.chipsmall.com

Address: A1208, Overseas Decoration Building, #122 Zhenhua RD., Futian, Shenzhen, China



THIS DRAWING IS UNPUBLISHED. RELEASED FOR PUBLICATION .19  
 BY AMP INCORPORATED. ALL RIGHTS RESERVED.

LOC		DIST		REVISIONS					
DY		-		P	LTR	DESCRIPTION	DATE	DWN	APVD
				B		REVISED-ECR-10-014113	25JUN2010	JC	TAP

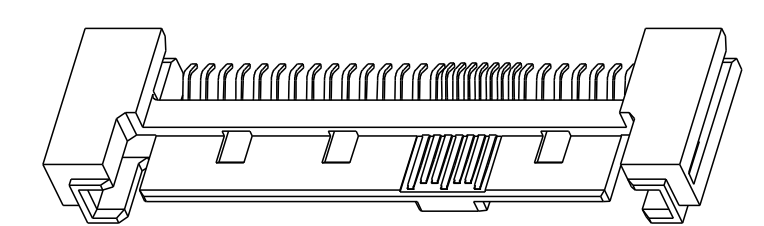


NOTES:

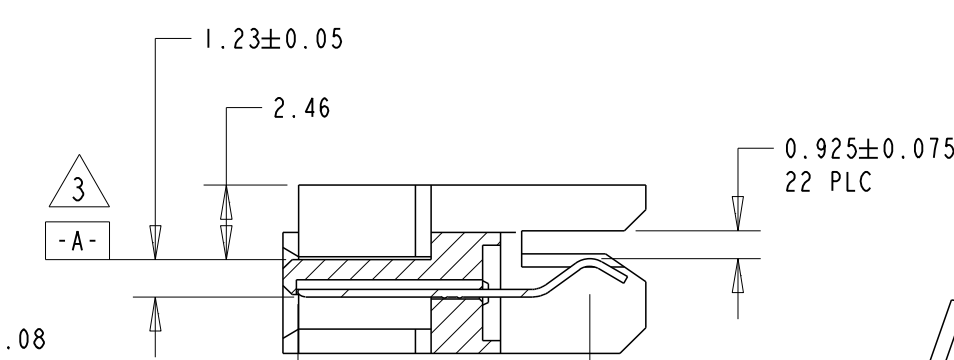
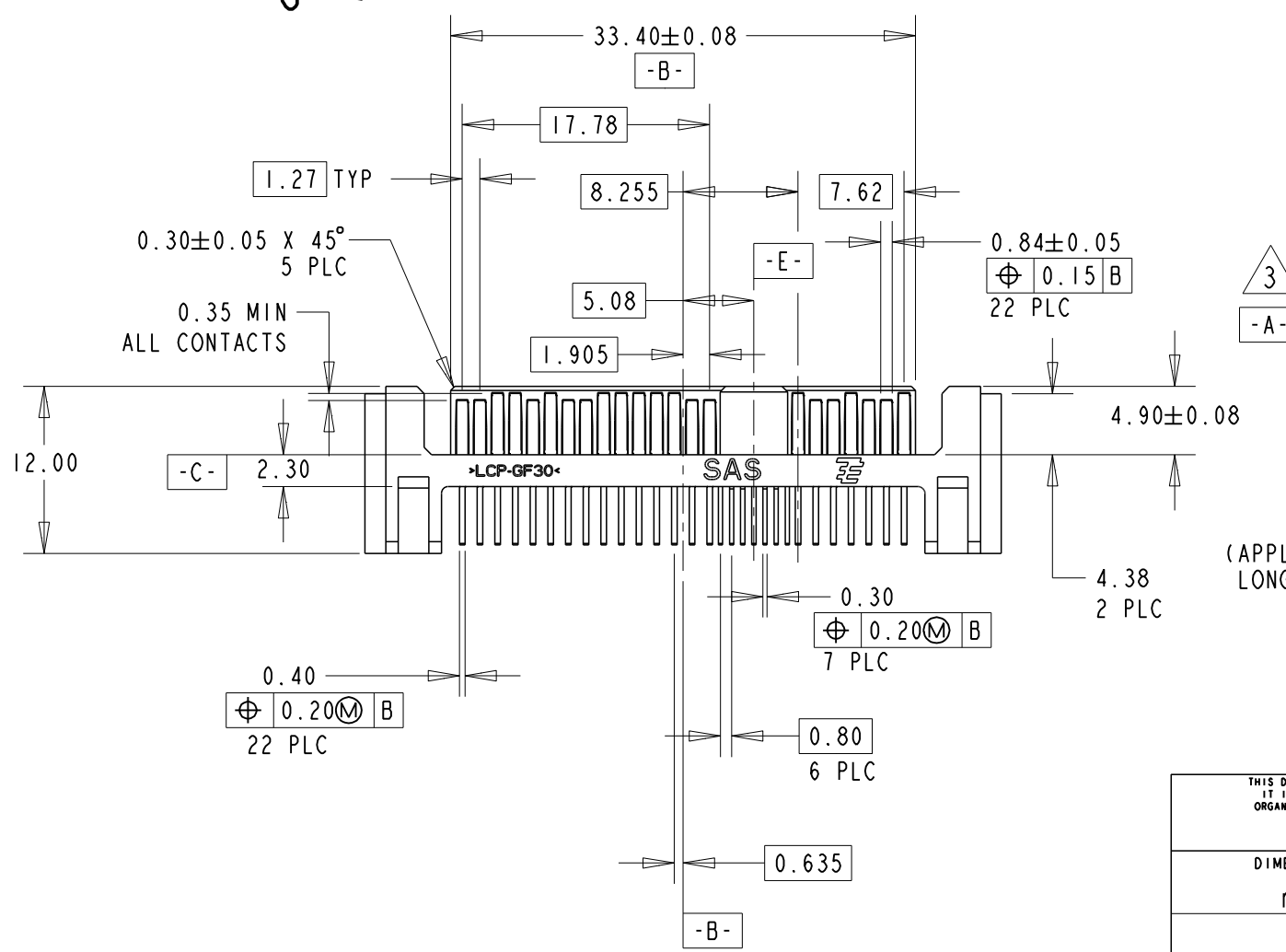
1 MATERIAL  
 HOUSING: HIGH TEMPERATURE THERMOPLASTICS,  
 GLASS FILLED, BLACK, UL94V-0,  
 REGRIND 25% MAXIMUM  
 CONTACT: COPPER ALLOY

2 FINISH  
 0.76um MINIMUM GOLD ON MATING AREA AND 1.91um  
 MINIMUM MATTE TIN (LEAD-FREE) ON SOLDER AREA,  
 BOTH OVER 1.27um MIN NICKEL

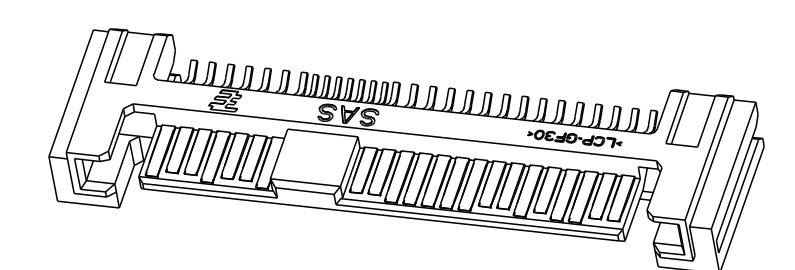
3 -A- IS DEFINED AS TOP SURFACE OF HOUSING



SCALE 2:1



SECTION L-L  
 SCALE 4:1



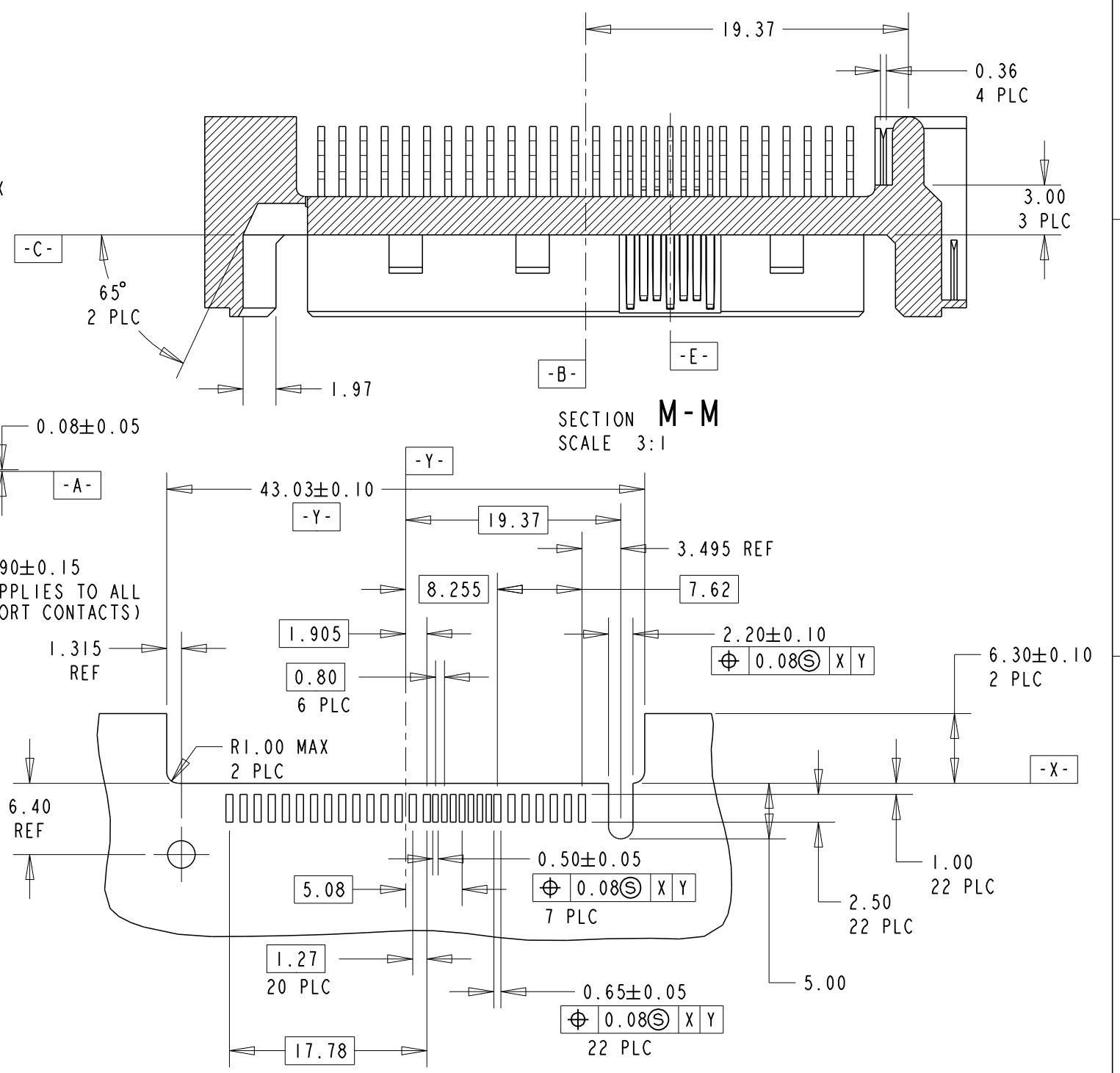
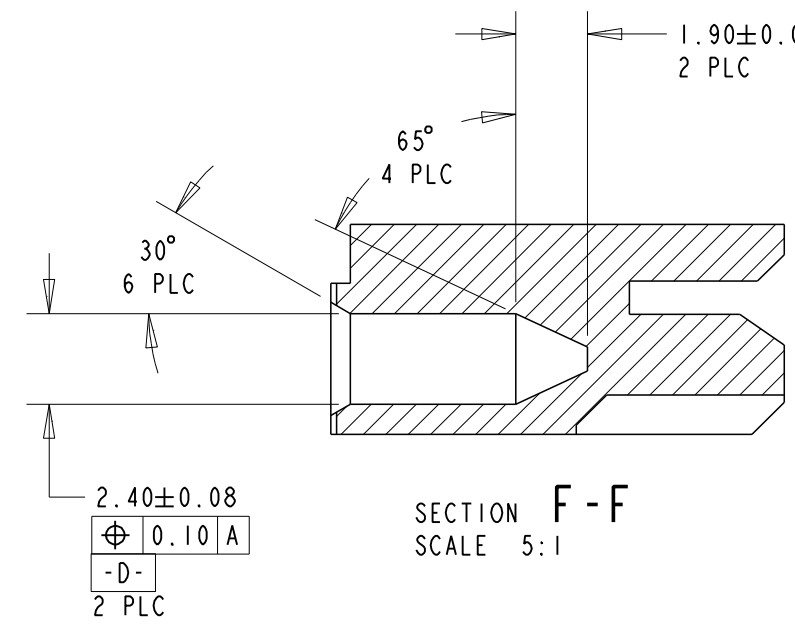
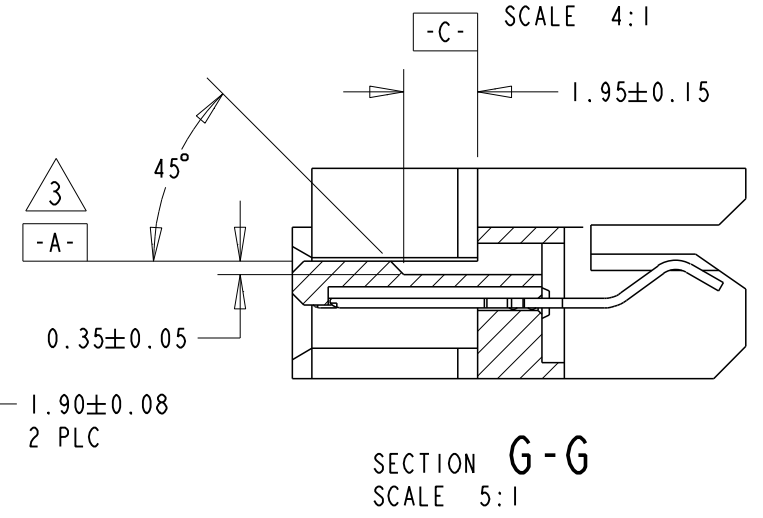
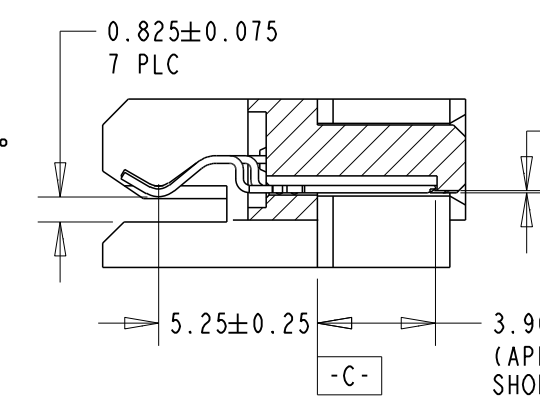
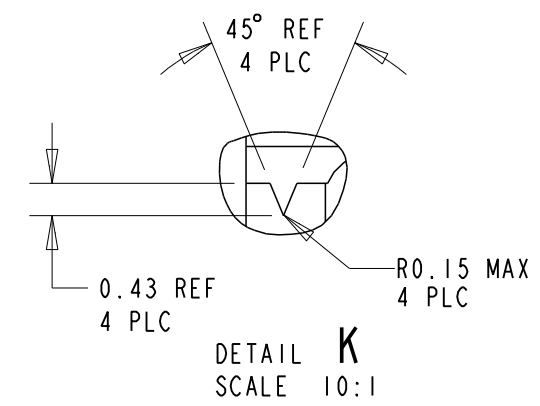
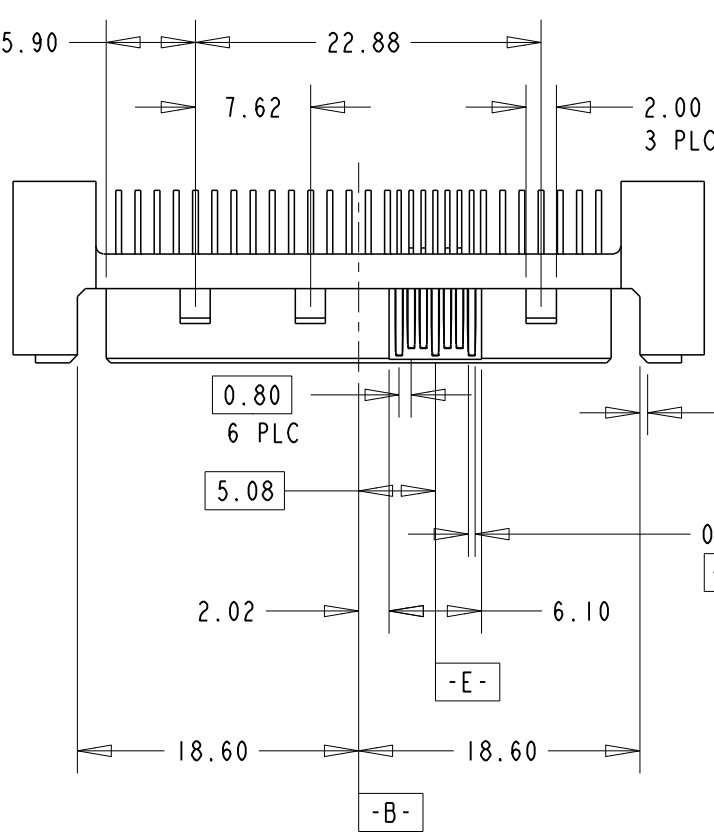
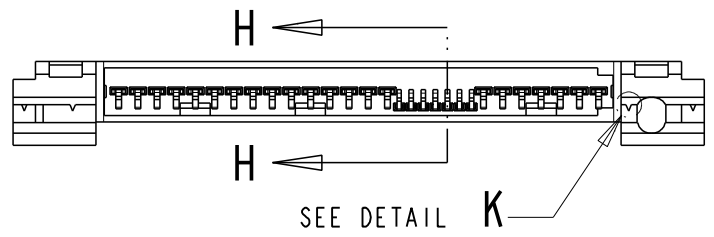
SCALE 2:1

1735183-1  
 PART NO.

THIS DRAWING IS A CONTROLLED DOCUMENT FOR AMP INCORPORATED. IT IS SUBJECT TO CHANGE AND THE CONTROLLING ENGINEERING ORGANIZATION SHOULD BE CONTACTED FOR THE LATEST REVISION.		DWN WYLEE 18NOV04	Tyco Electronics Singapore Pte. Ltd.	
DIMENSIONS: mm		CHK AP TAY	NAME PLUG, SAS 15+7+7P 0.96mm OFFSET	
TOLERANCES UNLESS OTHERWISE SPECIFIED: 0 PLC ±- 1 PLC ±- 2 PLC ±0.15 3 PLC ±0.15 4 PLC ±- ANGLES ±2°		APVD SE LEONG	DRAWING NO A3 00779 C-1735183	
MATERIAL 1		PRODUCT SPEC -	SCALE 2:1	SHEET 1 OF 2
		APPLICATION SPEC -	REV B	
		WEIGHT -		
		CUSTOMER DRAWING		

THIS DRAWING IS UNPUBLISHED. RELEASED FOR PUBLICATION .19  
 © COPYRIGHT 19 BY AMP INCORPORATED. ALL RIGHTS RESERVED.

LOC	DIST	REVISIONS			
P	LTR	DESCRIPTION	DATE	DWN	APVD
DY	-	SEE SHEET 1			



RECOMMENDED PCB MOUNTING  
SCALE 2:1

THIS DRAWING IS A CONTROLLED DOCUMENT FOR AMP INCORPORATED. IT IS SUBJECT TO CHANGE AND THE CONTROLLING ENGINEERING ORGANIZATION SHOULD BE CONTACTED FOR THE LATEST REVISION.		DWN WYLEE	18NOV04	Tyco Electronics Singapore Pte. Ltd.	
DIMENSIONS: mm		CHK AP TAY	APVD SE LEONG	NAME PLUG, SAS 15+7+7P 0.96mm OFFSET	
TOLERANCES UNLESS OTHERWISE SPECIFIED: 0 PLC ± 1 PLC ± 2 PLC ±0.15 3 PLC ±0.15 4 PLC ± ANGLES ±2°		PRODUCT SPEC -	APPLICATION SPEC -	SIZE A3	CAGE CODE 00779
MATERIAL 1		FINISH 2	WEIGHT -	DRAWING NO C-1735183	
CUSTOMER DRAWING			SCALE 2:1	SHEET 2 OF 2	REV B