



Chipsmall Limited consists of a professional team with an average of over 10 year of expertise in the distribution of electronic components. Based in Hongkong, we have already established firm and mutual-benefit business relationships with customers from,Europe,America and south Asia,supplying obsolete and hard-to-find components to meet their specific needs.

With the principle of “Quality Parts,Customers Priority,Honest Operation,and Considerate Service”,our business mainly focus on the distribution of electronic components. Line cards we deal with include Microchip,ALPS,ROHM,Xilinx,Pulse,ON,Everlight and Freescale. Main products comprise IC,Modules,Potentiometer,IC Socket,Relay,Connector.Our parts cover such applications as commercial,industrial, and automotives areas.

We are looking forward to setting up business relationship with you and hope to provide you with the best service and solution. Let us make a better world for our industry!



## Contact us

Tel: +86-755-8981 8866 Fax: +86-755-8427 6832

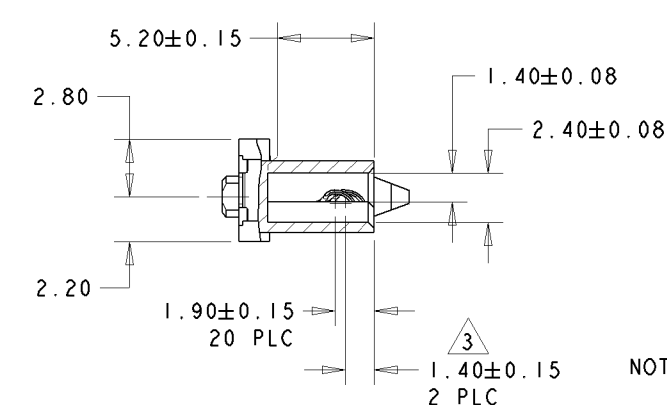
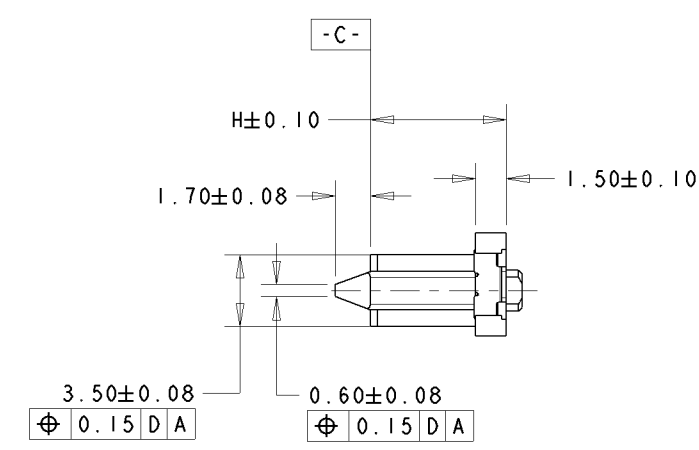
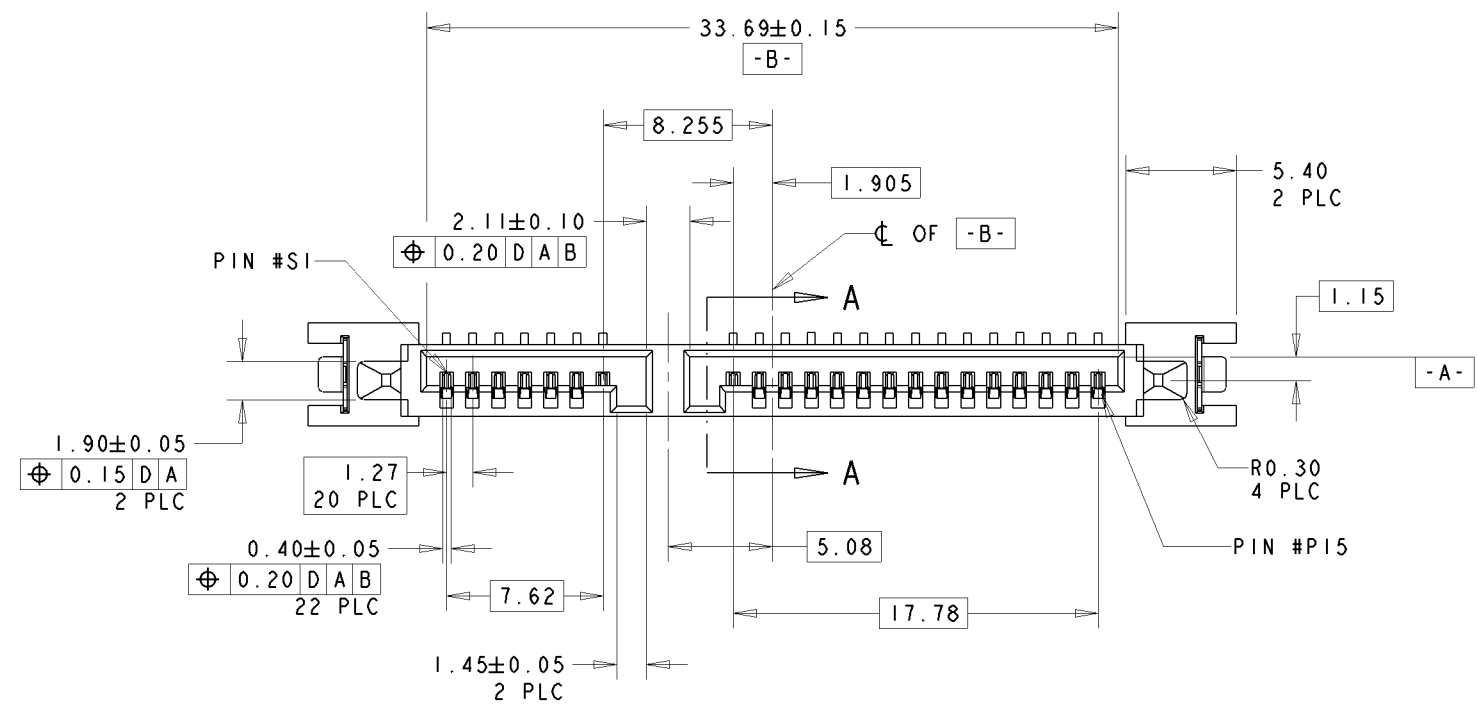
Email & Skype: info@chipsmall.com Web: www.chipsmall.com

Address: A1208, Overseas Decoration Building, #122 Zhenhua RD., Futian, Shenzhen, China



THIS DRAWING IS UNPUBLISHED. RELEASED FOR PUBLICATION .19  
 (C) COPYRIGHT 19 BY - ALL RIGHTS RESERVED.

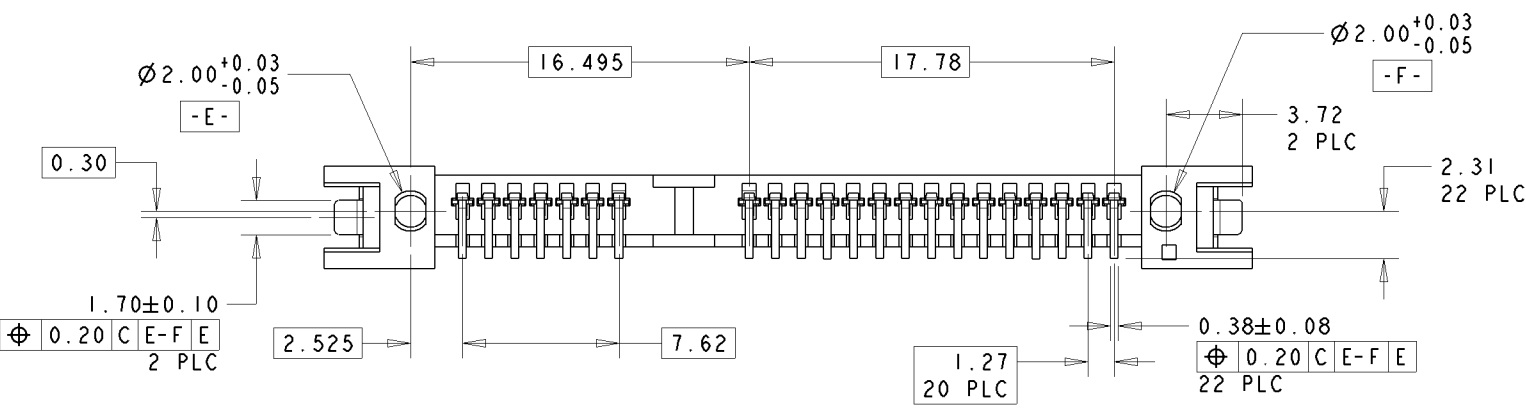
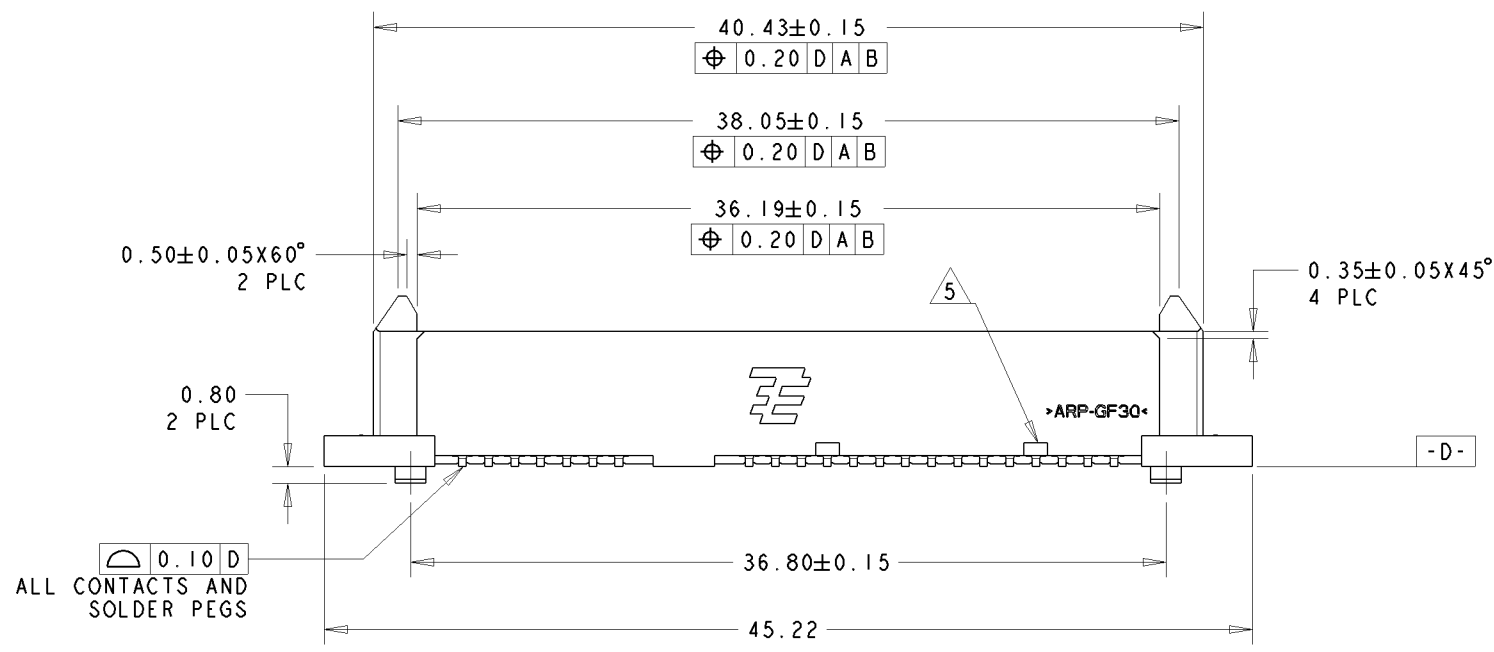
LOC	DIST	REVISIONS			
P	LTR	DESCRIPTION	DATE	DWN	APVD
DY	-				
	C1	REVISED PER ECO-11-005139	19MAR11	RK	HMR



SECTION A-A

NOTES:

- 1 MATERIAL:  
HOUSING: HIGH TEMP THERMOPLASTIC, UL94V-0,  
COLOR: BLACK  
CONTACT: COPPER ALLOY  
BOARDLOCK: COPPER ALLOY
- 2 FINISH:  
CONTACT AREA: MIN 0.38um GOLD PLATING  
SOLDERTAIL: MIN 2.54um MATTE TIN PLATING  
UNDERPLATE: MIN 1.27um NICKEL PLATING
- 3 PIN #P4 AND #P12 ONLY
- 4. VIEWS IN SHEET 1 ARE SHOWN WITHOUT PICKUP CAP
- 5 HOUSING OPENING APPLICABLE TO -2 AND -5 ONLY



QTY/TRAY	TRAY	PICK-UP CAP	REMARKS	HEIGHT (H)	PART NUMBER
48	TYPE 1	YES	STANDARD PROFILE	8.15	1735284-5
20	TYPE 2	YES	LOW PROFILE	6.60	1735284-4
20	TYPE 2	NO	LOW PROFILE	6.60	1735284-3
20	TYPE 2	NO	STANDARD PROFILE	8.15	1735284-2
48	TYPE 1	YES	LOW PROFILE	6.60	1735284-1

DIMENSIONS mm	TOLERANCES UNLESS OTHERWISE SPECIFIED: 0 PLC ± 1 PLC ± 2 PLC ±0.20 3 PLC ± 4 PLC ± ANGLES ±3° FINISH	DWN SK LEAW 14NOV2005	TE Connectivity <b>SATA BACKPLANE RECEPTACLE, VERTICAL, SMT</b>
		CHK SF LEONG 14NOV2005	
MATERIAL	1	APVD SF LEONG 14NOV2005	NAME
		PRODUCT SPEC 108-51052-1	APPLICATION SPEC
WEIGHT		SIZE A2	CAGE CODE 00779
CUSTOMER DRAWING		DRAWING NO. C=1735284	SCALE 4:1 SHEET 1 OF 3 REV C1

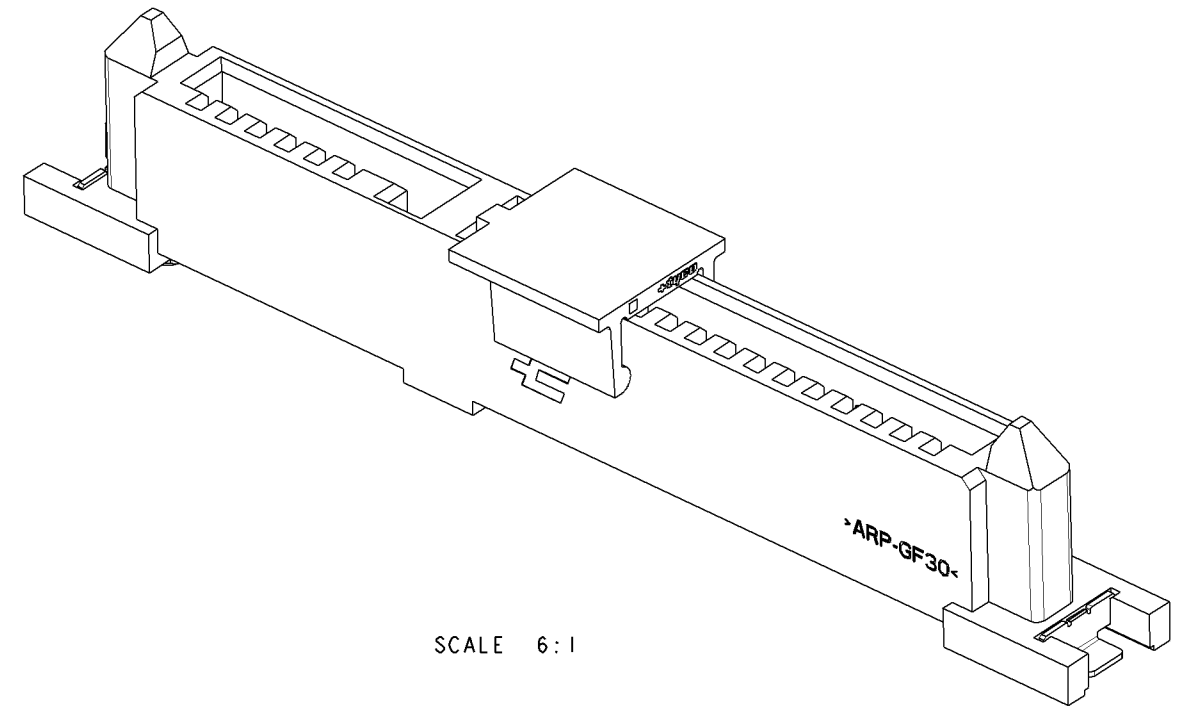
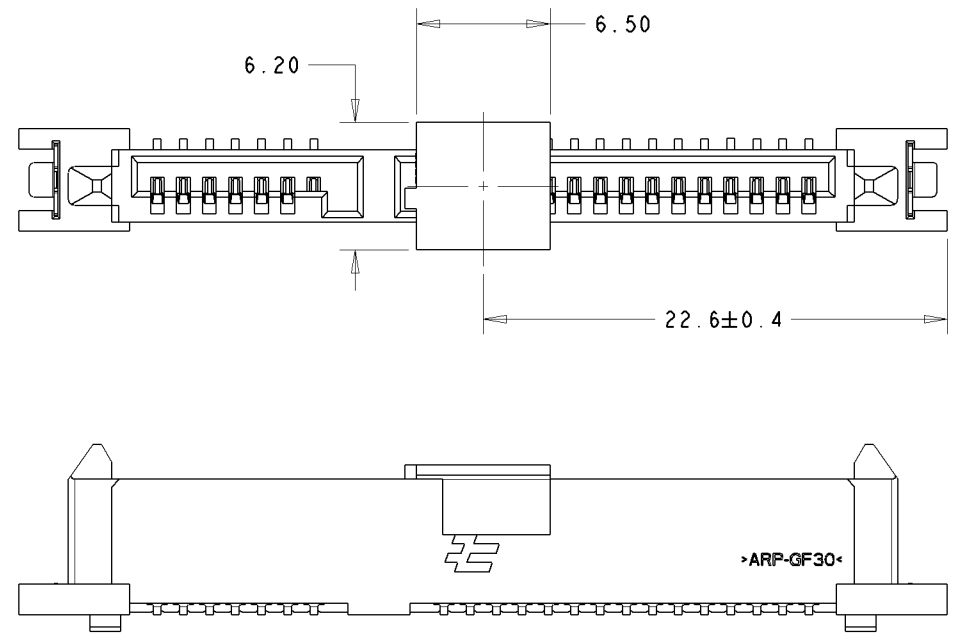
1735284

B

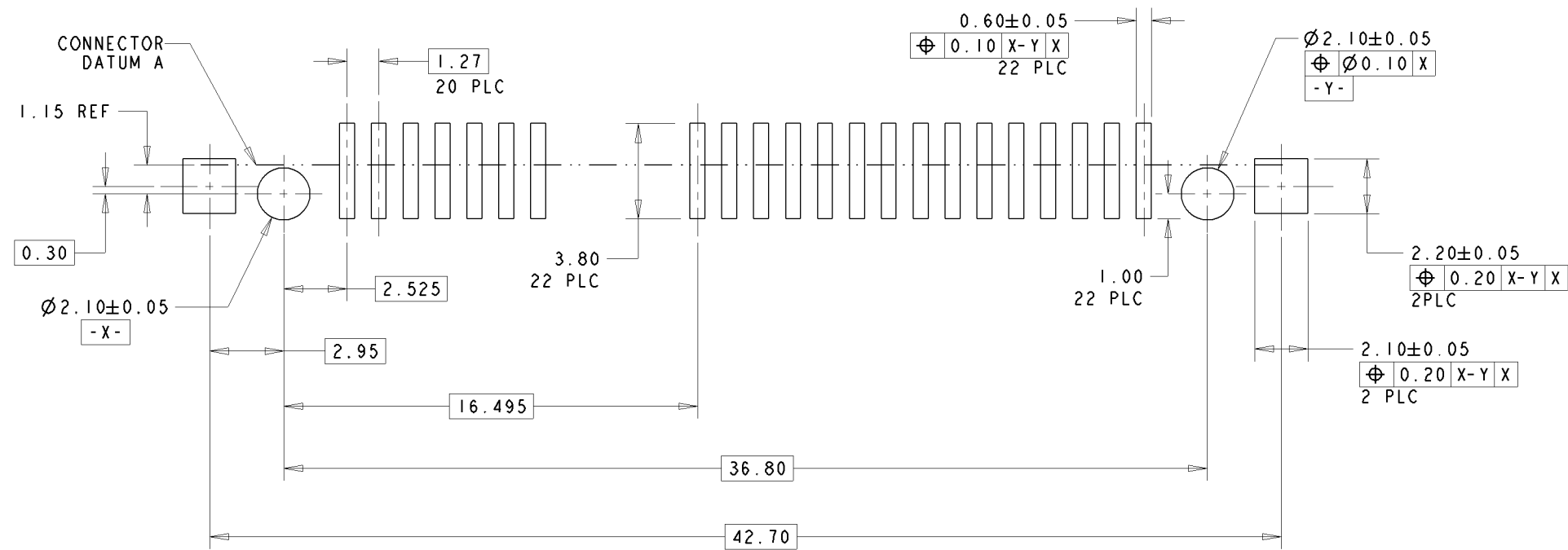
A

THIS DRAWING IS UNPUBLISHED. RELEASED FOR PUBLICATION .19  
 BY - ALL RIGHTS RESERVED.

LOC	DIST	REVISIONS			
P	LTR	DESCRIPTION	DATE	DWN	APVD
DY	-	SEE SHEET 1	-	-	-



SCALE 6:1

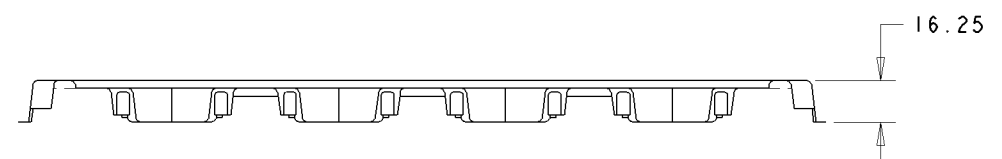
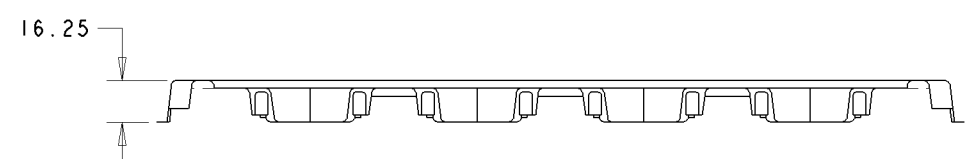
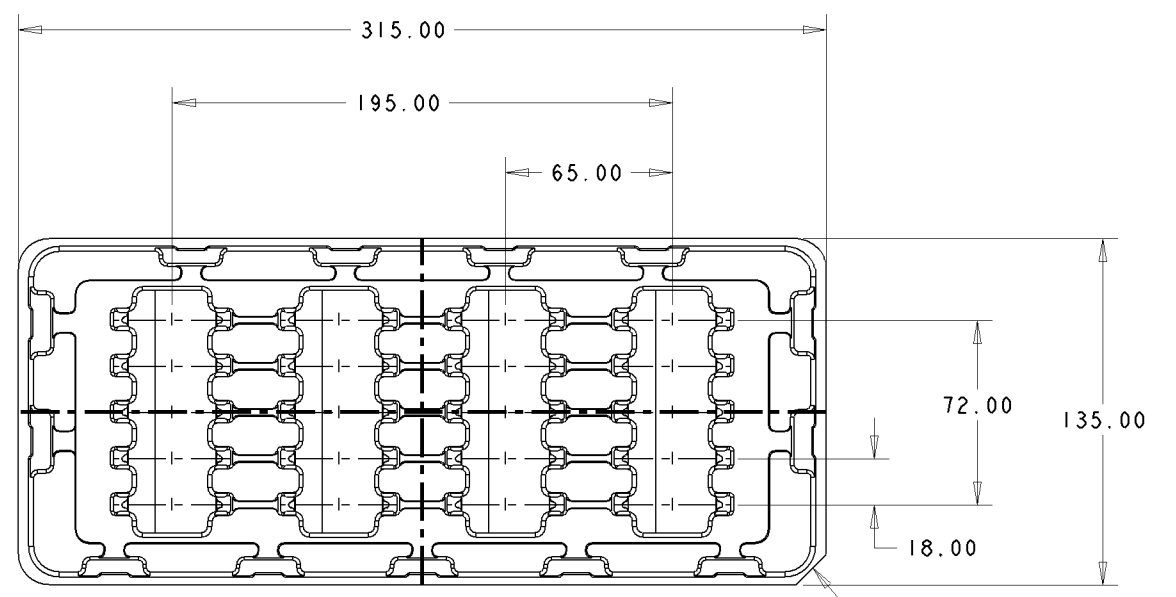
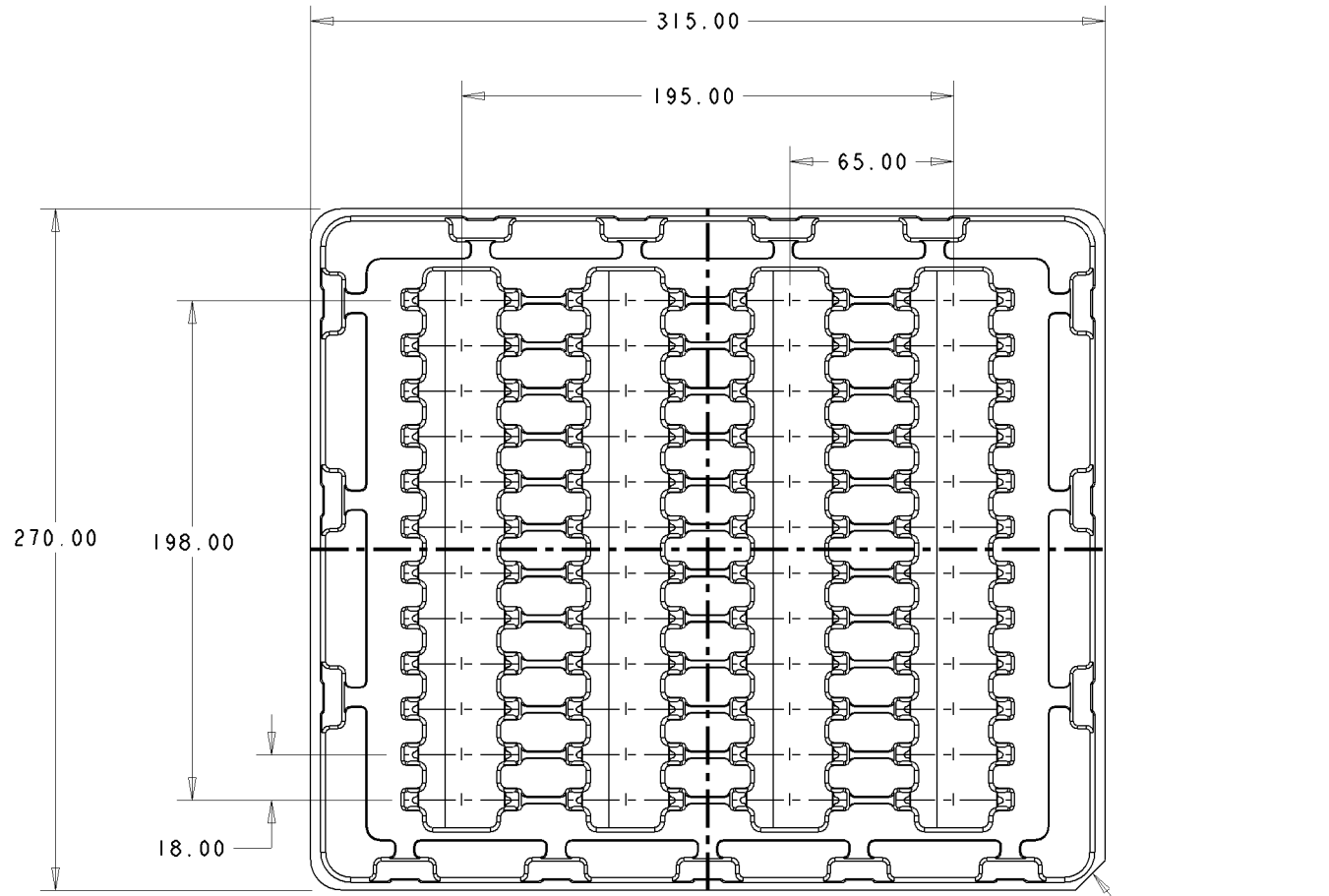


RECOMMENDED PCB LAYOUT  
 SCALE 6:1

DIMENSIONS mm	TOLERANCES UNLESS OTHERWISE SPECIFIED: 0 PLC ± 1 PLC ± 2 PLC ±0.20 3 PLC ± 4 PLC ± ANGLES ±3° FINISH -	DWN SK LEAW 14NOV2005	TE Connectivity
		CHK SF LEONG 14NOV2005	
MATERIAL		APVD SF LEONG 14NOV2005	NAME
		PRODUCT SPEC 108-51052-1	SATA BACKPLANE RECEPTACLE, VERTICAL, SMT
		APPLICATION SPEC -	SIZE A2
		WEIGHT -	CAGE CODE 00779
		CUSTOMER DRAWING	DRAWING NO. C=1735284
			SCALE 4:1 SHEET 2 OF 3 REV C1

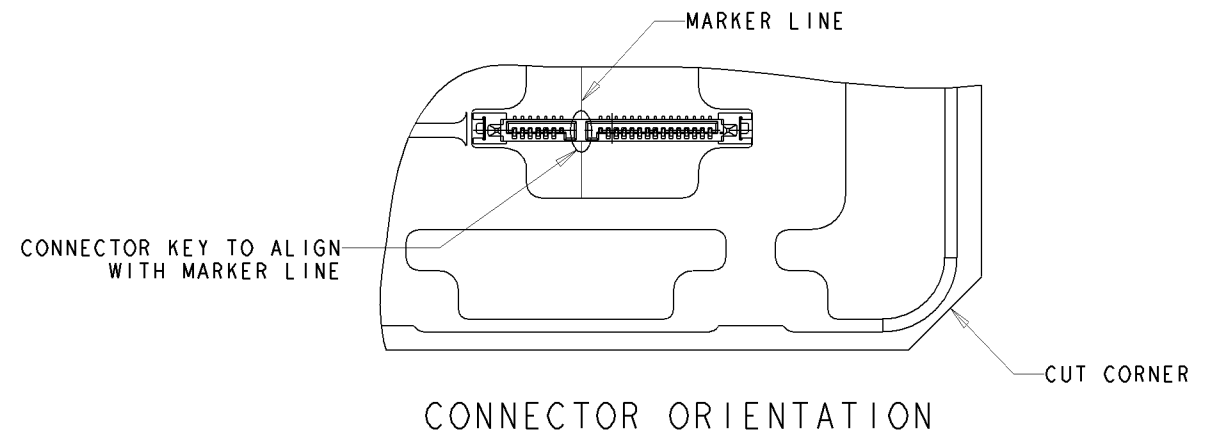
THIS DRAWING IS UNPUBLISHED. RELEASED FOR PUBLICATION .19  
 (C) COPYRIGHT 19 BY - ALL RIGHTS RESERVED.

LOC	DIST	REVISIONS			
P	LTR	DESCRIPTION	DATE	DWN	APVD
DY	-	SEE SHEET 1	-	-	-



TRAY, TYPE 1  
 QTY/TRAY: 48PCS

TRAY, TYPE 2  
 QTY/TRAY: 20PCS



DIMENSIONS mm	TOLERANCES UNLESS OTHERWISE SPECIFIED: 0 PLC ± 1 PLC ± 2 PLC ±0.20 3 PLC ± 4 PLC ± ANGLES ±3° FINISH -	DWN SK LEAW 14NOV2005	TE Connectivity
		CHK SF LEONG 14NOV2005	
MATERIAL		APVD SF LEONG 14NOV2005	NAME
		PRODUCT SPEC 108-51052-1	SATA BACKPLANE RECEPTACLE, VERTICAL, SMT
		APPLICATION SPEC	SIZE A2
		WEIGHT	CAGE CODE 00779
		CUSTOMER DRAWING	DRAWING NO C=1735284
			SCALE 4:1 SHEET 3 OF 3 REV C1

1735284