



Chipsmall Limited consists of a professional team with an average of over 10 year of expertise in the distribution of electronic components. Based in Hongkong, we have already established firm and mutual-benefit business relationships with customers from,Europe,America and south Asia,supplying obsolete and hard-to-find components to meet their specific needs.

With the principle of “Quality Parts,Customers Priority,Honest Operation,and Considerate Service”,our business mainly focus on the distribution of electronic components. Line cards we deal with include Microchip,ALPS,ROHM,Xilinx,Pulse,ON,Everlight and Freescale. Main products comprise IC,Modules,Potentiometer,IC Socket,Relay,Connector.Our parts cover such applications as commercial,industrial, and automotives areas.

We are looking forward to setting up business relationship with you and hope to provide you with the best service and solution. Let us make a better world for our industry!



## Contact us

Tel: +86-755-8981 8866 Fax: +86-755-8427 6832

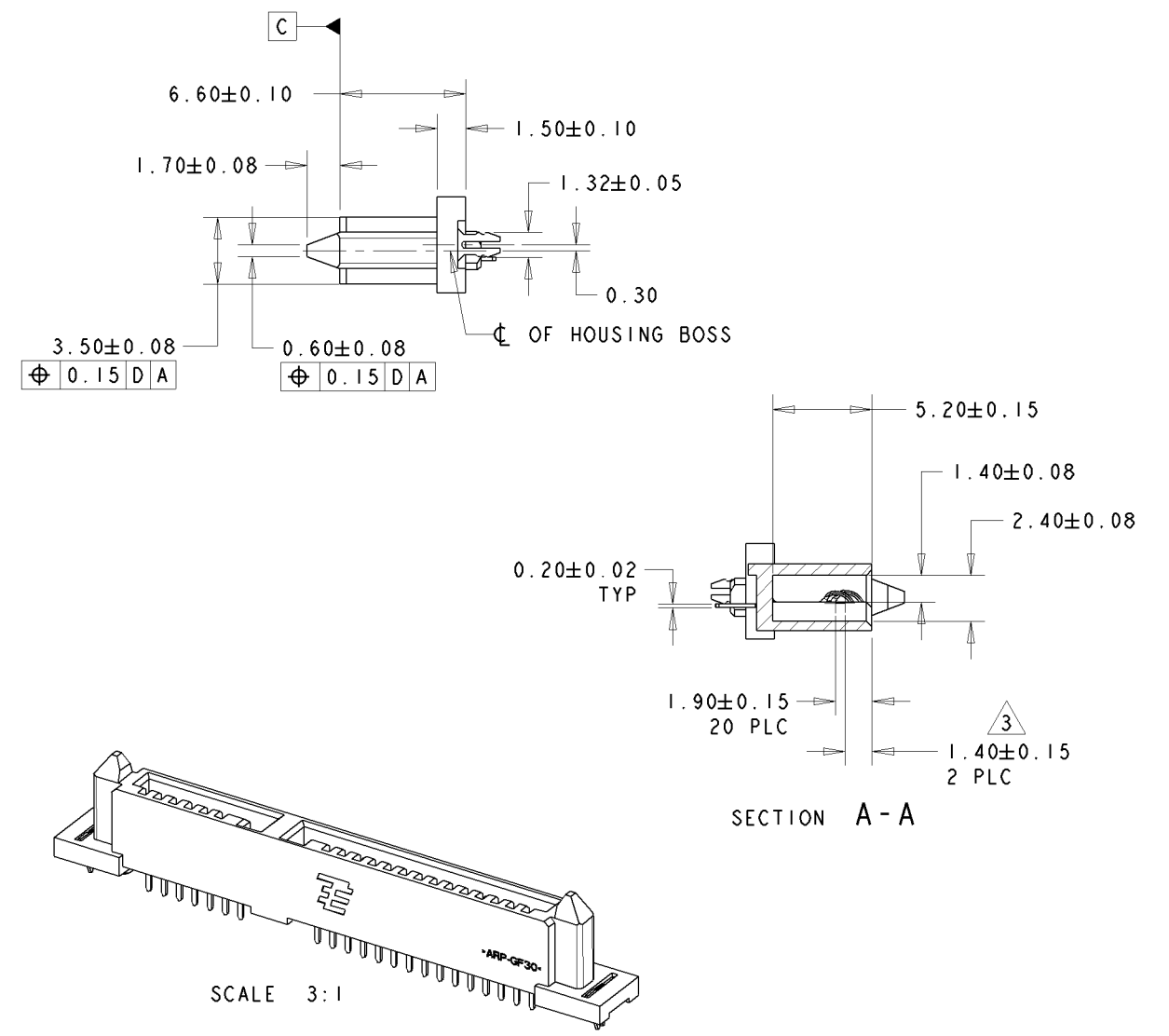
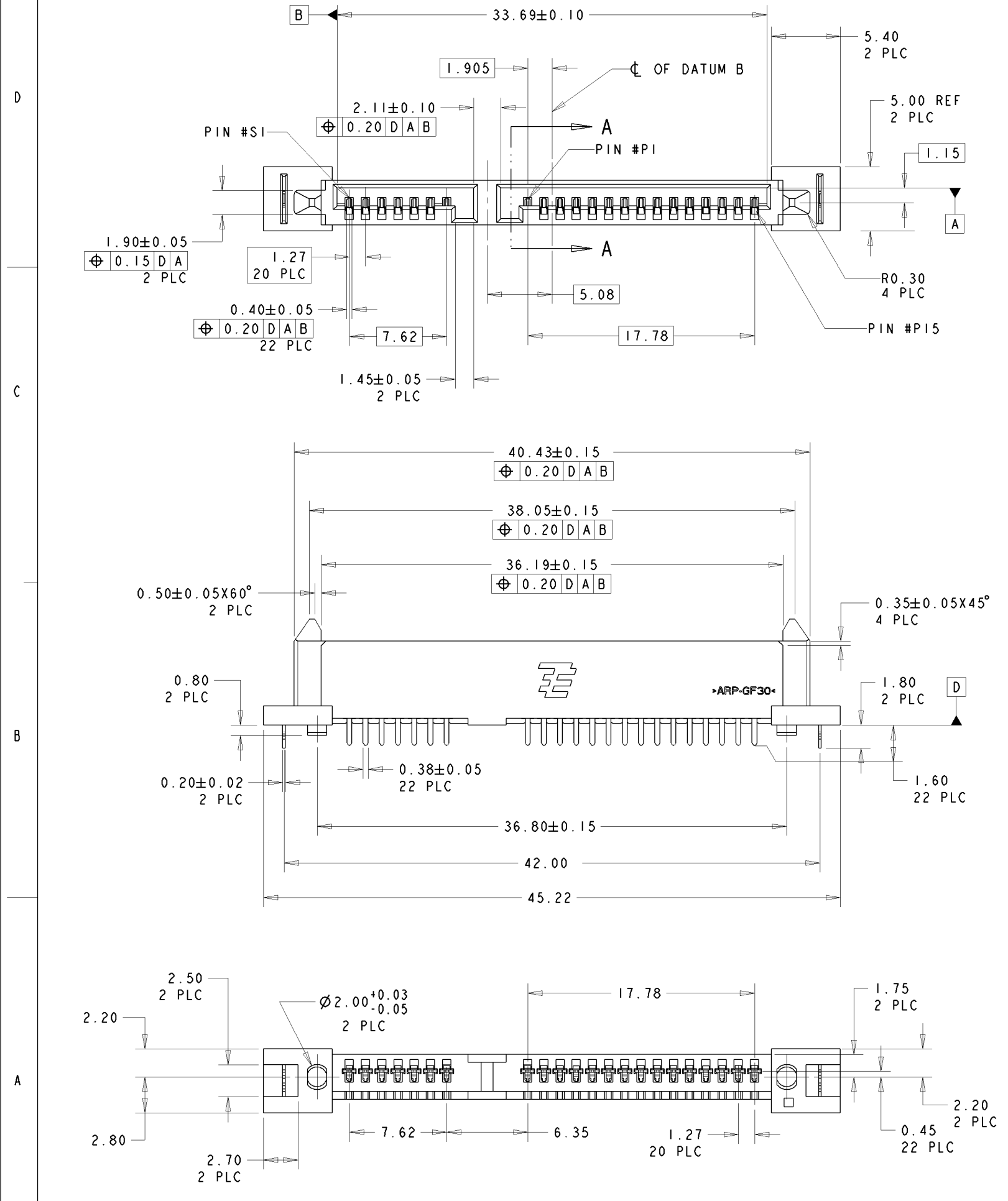
Email & Skype: info@chipsmall.com Web: www.chipsmall.com

Address: A1208, Overseas Decoration Building, #122 Zhenhua RD., Futian, Shenzhen, China



THIS DRAWING IS UNPUBLISHED. RELEASED FOR PUBLICATION .19  
 BY AMP INCORPORATED. ALL RIGHTS RESERVED.

LOC	DIST	REVISIONS			
P	LTR	DESCRIPTION	DATE	DWN	APVD
DY	-	REVISED ECR-10-023895	19NOV10	LSK	LSF

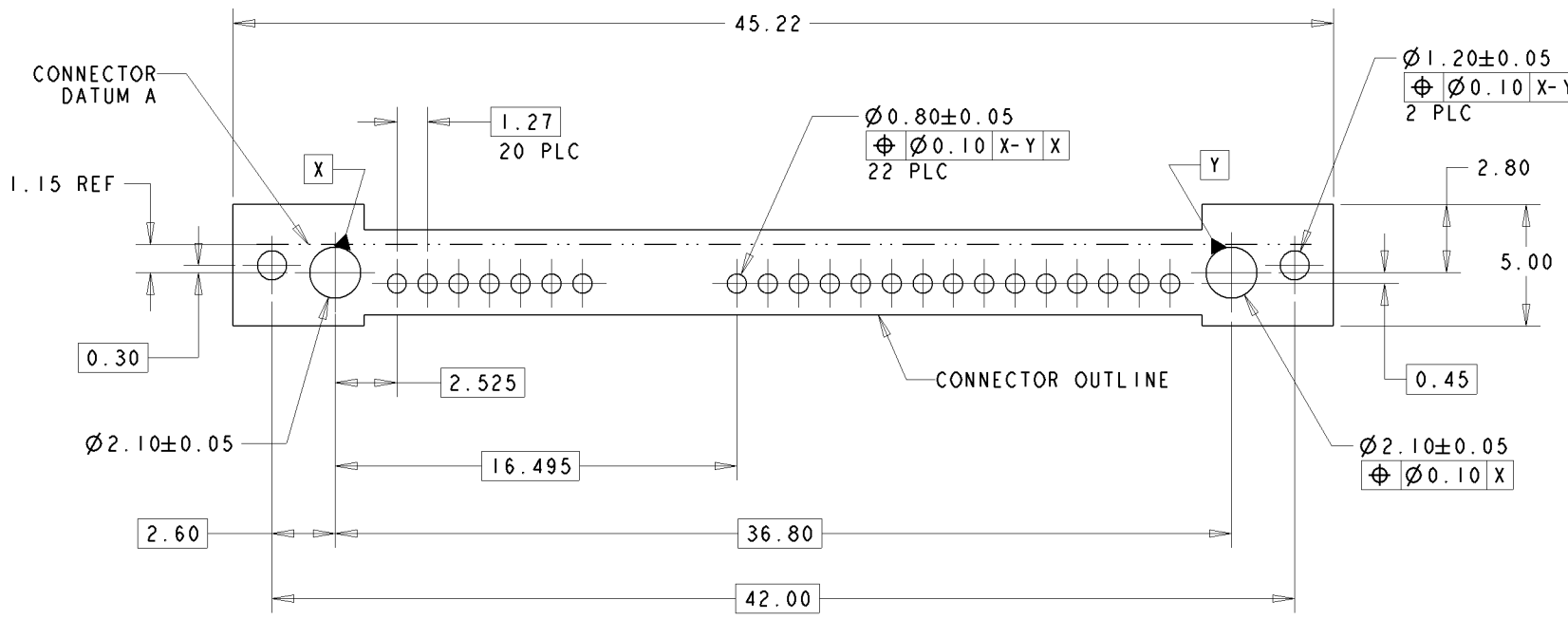
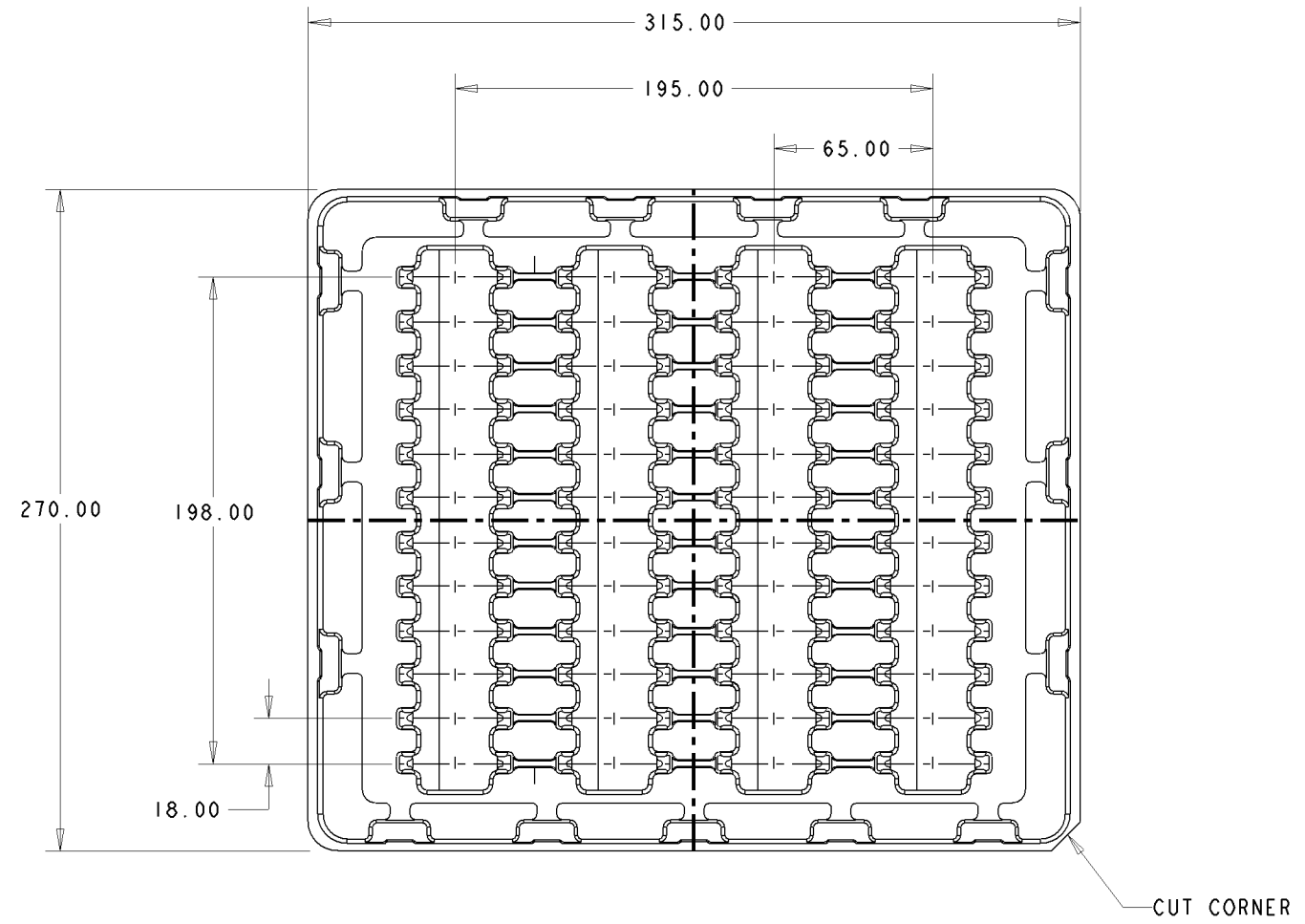
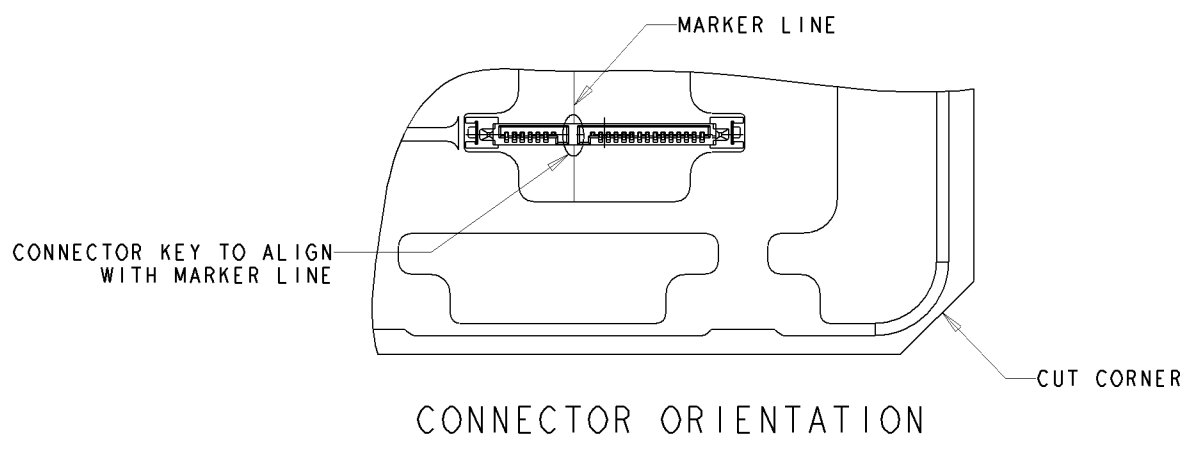


- NOTES:
- 1 MATERIAL:  
HOUSING: HIGH TEMP THERMOPLASTIC, UL94V-0,  
COLOR: BLACK  
CONTACT: COPPER ALLOY  
BOARDLOCK: COPPER ALLOY
  - 2 FINISH:  
CONTACT MATING AREA: MIN 0.38um GOLD PLATING  
CONTACT SOLDER TAIL: MIN 2.54um MATTE TIN PLATING  
BOARDLOCK  
UNDERPLATE: MIN 1.27um NICKEL PLATING
  - 3 PIN #P4 AND #P12 ONLY

1735397-1  
PART NUMBER

THIS DRAWING IS A CONTROLLED DOCUMENT FOR AMP INCORPORATED. IT IS SUBJECT TO CHANGE AND THE CONTROLLING ENGINEERING ORGANIZATION SHOULD BE CONTACTED FOR THE LATEST REVISION.		DWN SK LEAW 15JAN2007	Tyco Electronics Singapore Pte. Ltd.	
DIMENSIONS - mm		CHK SF LEONG 14FEB2007	NAME SATA BACKPLANE RECEPTACLE, VERTICAL, THROUGH HOLE	
TOLERANCES UNLESS OTHERWISE SPECIFIED:		APVD SF LEONG 14FEB2007	SIZE A2	CAGE CODE 00779
0 PLC ±	1 PLC ±	PRODUCT SPEC -	DRAWING NO C=1735397	SCALE 4:1
2 PLC ±0.20	3 PLC ±	APPLICATION SPEC -	SHEET 1 of 2	REV A
4 PLC ±	ANGLES ±3°	WEIGHT -		
MATERIAL 1		CUSTOMER DRAWING		

LOC	DIST	REVISIONS			
P	LTR	DESCRIPTION	DATE	DWN	APVD
DY	-	SEE SHEET 1	-	-	-



RECOMMENDED PCB LAYOUT  
 SCALE 5:1

<small>THIS DRAWING IS A CONTROLLED DOCUMENT FOR AMP INCORPORATED. IT IS SUBJECT TO CHANGE AND THE CONTROLLING ENGINEERING ORGANIZATION SHOULD BE CONTACTED FOR THE LATEST REVISION.</small>		DWN SK LEAW 15JAN2007 CHK SF LEONG 14FEB2007 APVD SF LEONG 14FEB2007	Tyco Electronics Singapore Pte. Ltd.
DIMENSIONS - mm 	TOLERANCES UNLESS OTHERWISE SPECIFIED: 0 PLC ± 1 PLC ± 2 PLC ±0.20 3 PLC ± 4 PLC ± ANGLES ±3° FINISH -	PRODUCT SPEC - APPLICATION SPEC - WEIGHT -	NAME SATA BACKPLANE RECEPTACLE, VERTICAL, THROUGH HOLE SIZE A2 CAGE CODE 00779 DRAWING NO C=1735397
MATERIAL -		CUSTOMER DRAWING	SCALE 4:1 SHEET 2 of 2 REV A