



Chipsmall Limited consists of a professional team with an average of over 10 year of expertise in the distribution of electronic components. Based in Hongkong, we have already established firm and mutual-benefit business relationships with customers from,Europe,America and south Asia,supplying obsolete and hard-to-find components to meet their specific needs.

With the principle of "Quality Parts,Customers Priority,Honest Operation,and Considerate Service",our business mainly focus on the distribution of electronic components. Line cards we deal with include Microchip,ALPS,ROHM,Xilinx,Pulse,ON,Everlight and Freescale. Main products comprise IC,Modules,Potentiometer,IC Socket,Relay,Connector.Our parts cover such applications as commercial,industrial, and automotives areas.

We are looking forward to setting up business relationship with you and hope to provide you with the best service and solution. Let us make a better world for our industry!



Contact us

Tel: +86-755-8981 8866 Fax: +86-755-8427 6832

Email & Skype: info@chipsmall.com Web: www.chipsmall.com

Address: A1208, Overseas Decoration Building, #122 Zhenhua RD., Futian, Shenzhen, China

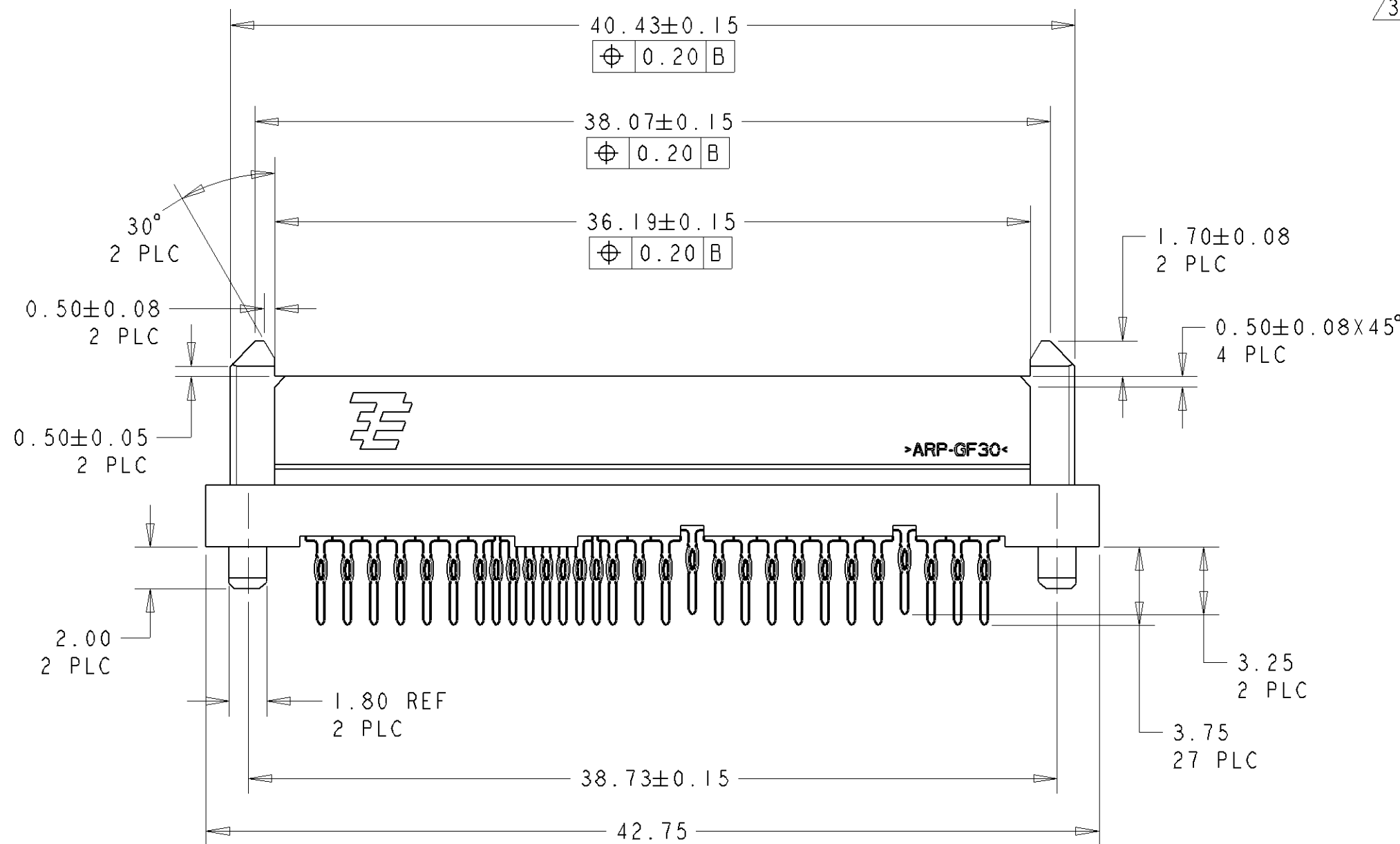
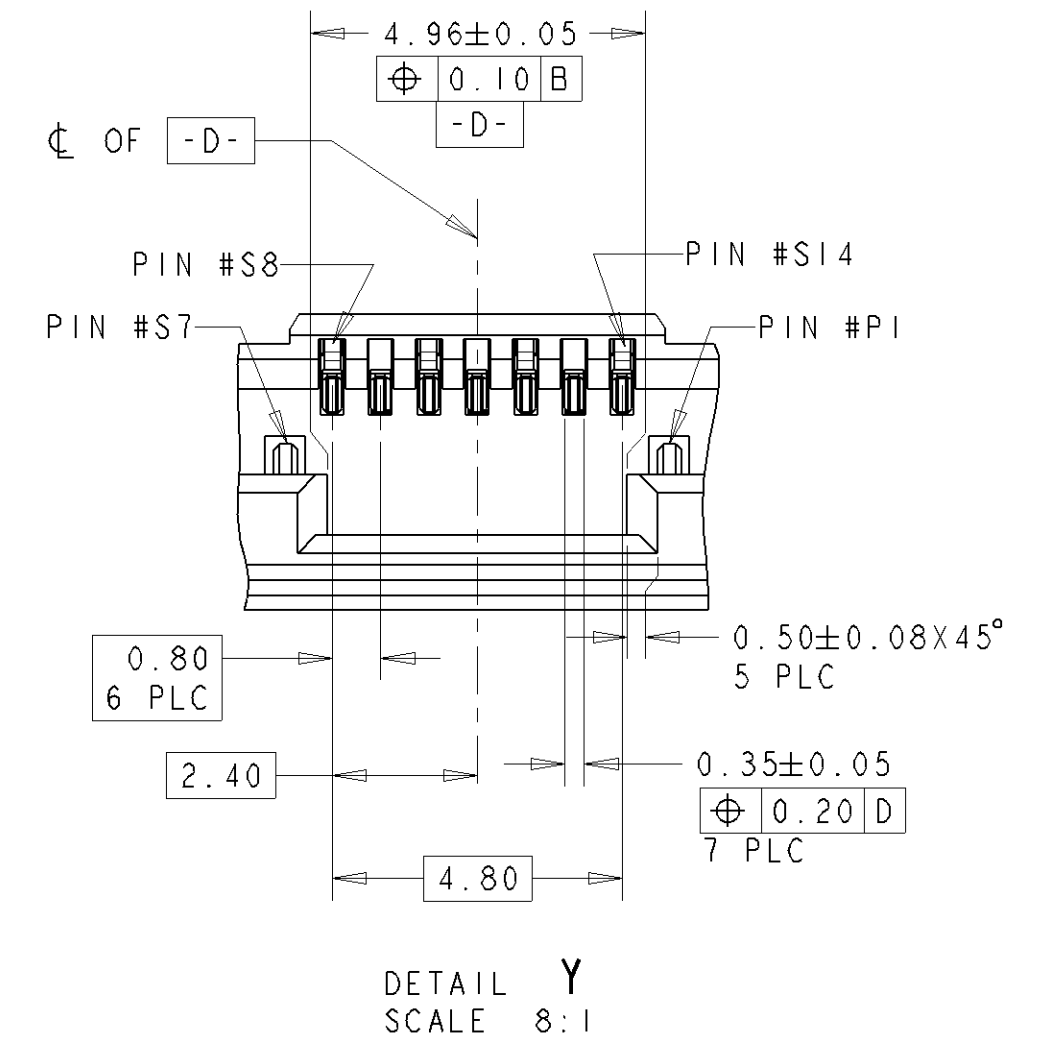
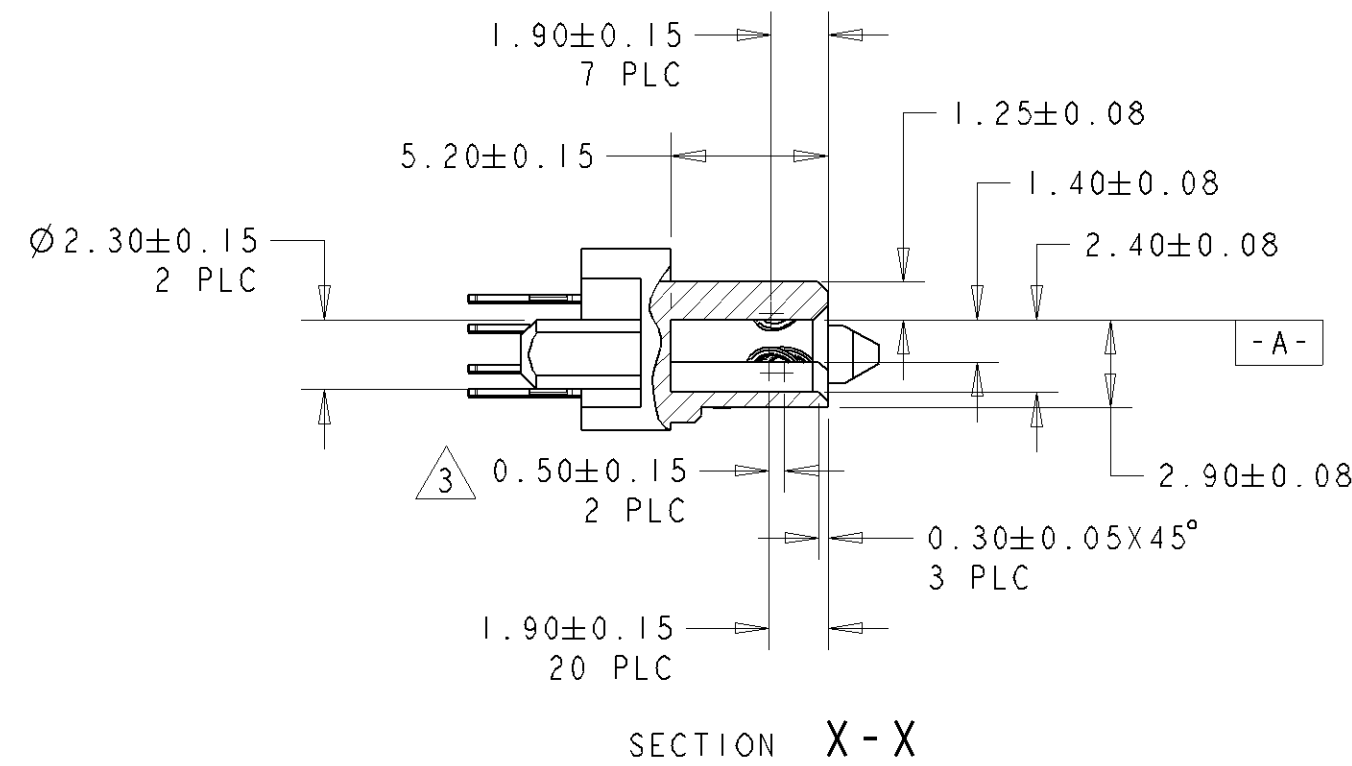
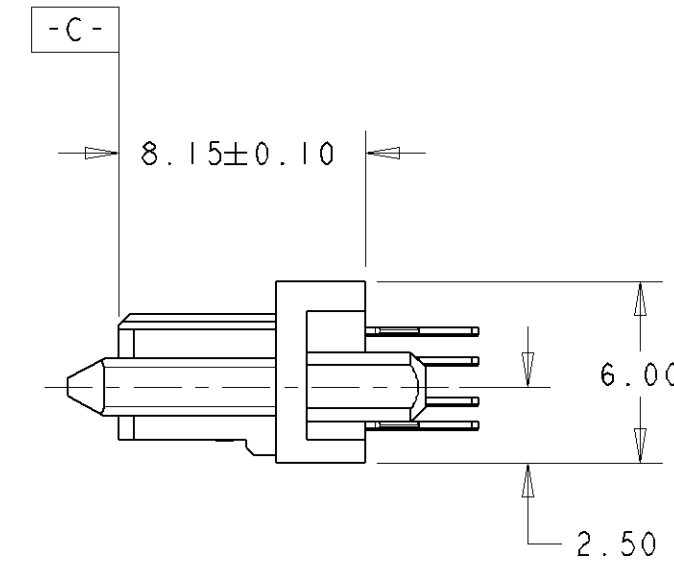
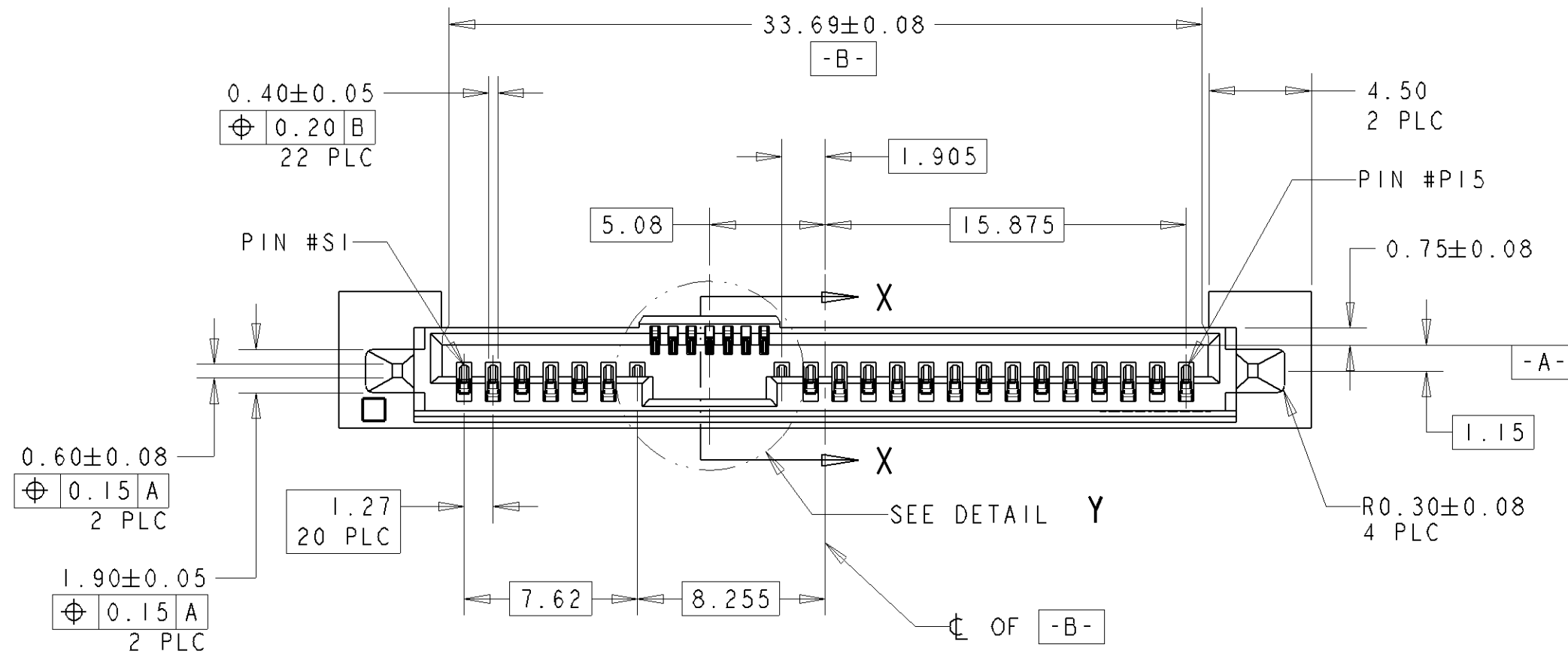


THIS DRAWING IS UNPUBLISHED. RELEASED FOR PUBLICATION .19
 BY AMP INCORPORATED. ALL RIGHTS RESERVED.

LOC	DIST	REVISIONS					
		P	LTR	DESCRIPTION	DATE	OWN	APVD
DY	-	B		REVISED ECR-10-012418	11 JUN 10	PTY	LSF

NOTES:

- 1 MATERIAL:
HOUSING: HIGH TEMP THERMOPLASTIC, UL94V-0,
COLOR: BLACK
CONTACT: COPPER ALLOY
BOARDLOCK: COPPER ALLOY
- 2 FINISH:
CONTACT AREA: MIN 0.76um GOLD PLATING
SOLDERTAIL: MIN 2.54um MATTE TIN PLATING
UNDERPLATE: MIN 1.27um NICKEL PLATING
- 3 PIN #P4 AND #P12 ONLY

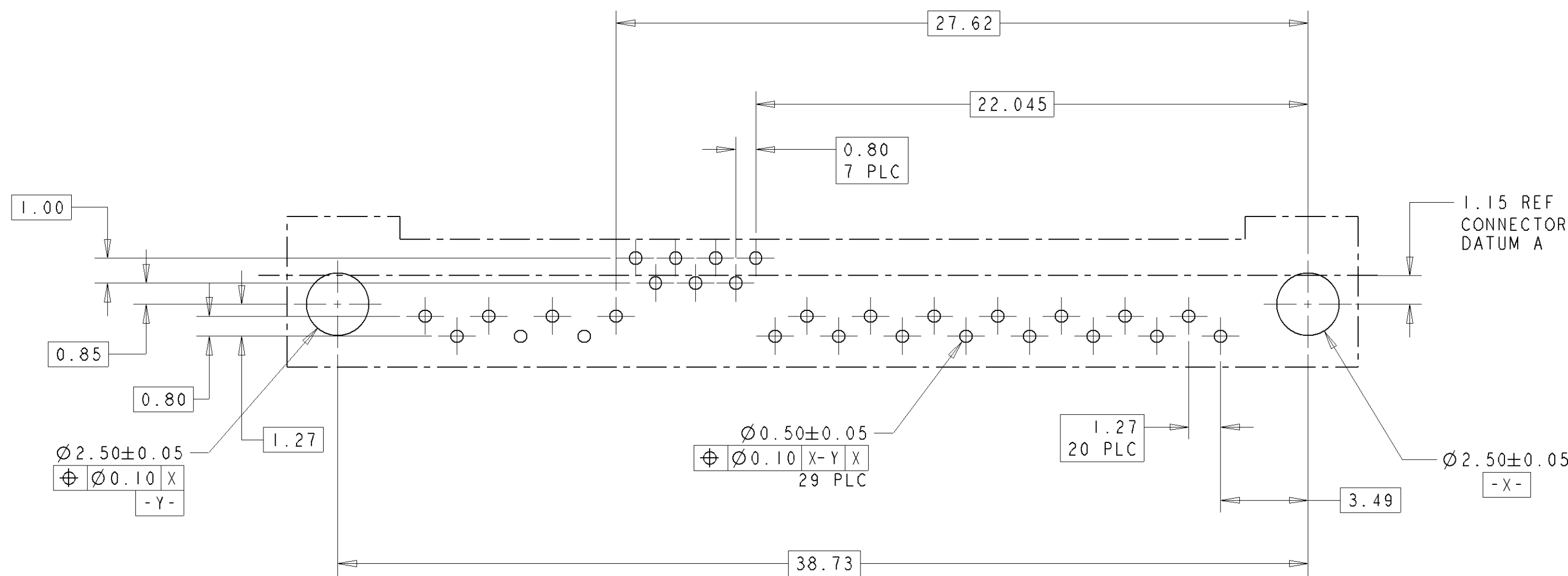
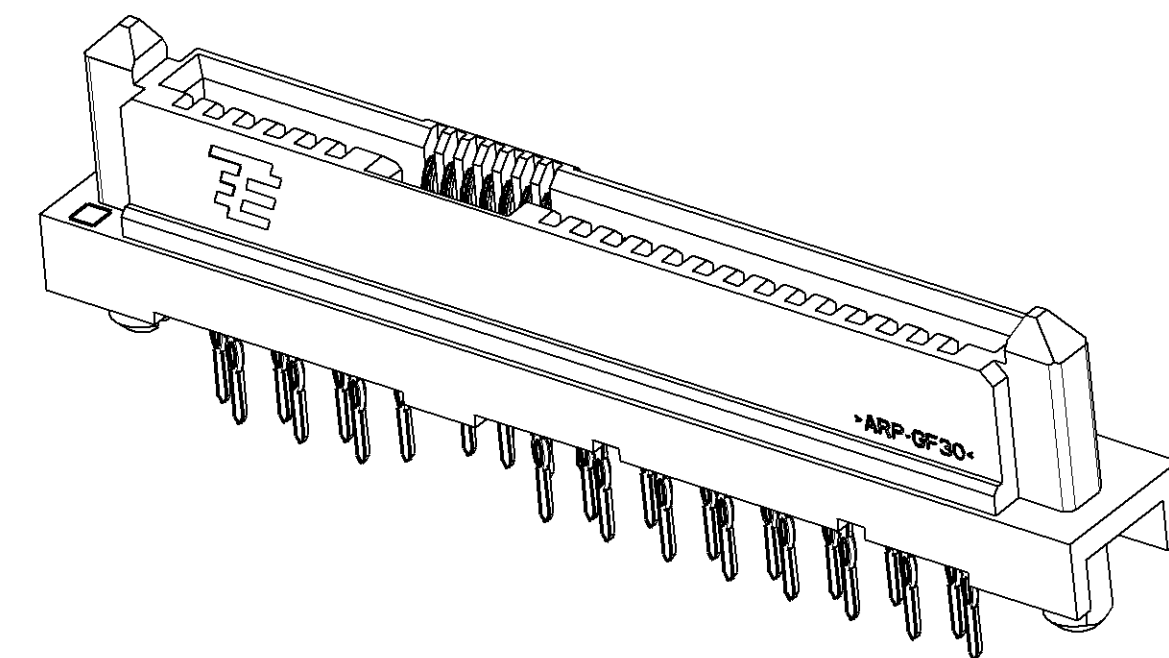


1735368-1
PART NUMBER

THIS DRAWING IS A CONTROLLED DOCUMENT FOR AMP INCORPORATED. IT IS SUBJECT TO CHANGE AND THE CONTROLLING ENGINEERING ORGANIZATION SHOULD BE CONTACTED FOR THE LATEST REVISION.		OWN SK LEAW 31 JUL 2006	Tyco Electronics Singapore Pte. Ltd.
DIMENSIONS: mm		CHN SF LEONG 31 JUL 2006	
TOLERANCES, UNLESS OTHERWISE SPECIFIED:		APVD SF LEONG 31 JUL 2006	NAME SAS BACKPLANE RECEPTACLE, VERTICAL, PRESS-FIT
0 PLC ±		PRODUCT SPEC 108-51067	
1 PLC ±		APPLICATION SPEC 114-51013	SIZE A2
2 PLC ±0.20		WEIGHT -	CAGE CODE 00779
3 PLC ±		CUSTOMER DRAWING	DRAWING NO C=1735368
4 PLC ±			SCALE 4:1
ANGLES ±3°			SHEET 1 OF 2
FINISH			REV B

THIS DRAWING IS UNPUBLISHED. RELEASED FOR PUBLICATION .19
 © COPYRIGHT 19 BY AMP INCORPORATED. ALL RIGHTS RESERVED.

LOC	DIST	REVISIONS			
P	LTR	DESCRIPTION	DATE	DWN	APVD
DY	-	SEE SHEET 1	-	-	-



RECOMMENDED PCB LAYOUT
 MIN BOARD THICKNESS: 1.44mm
 SCALE 6:1

<small>THIS DRAWING IS A CONTROLLED DOCUMENT FOR AMP INCORPORATED. IT IS SUBJECT TO CHANGE AND THE CONTROLLING ENGINEERING ORGANIZATION SHOULD BE CONTACTED FOR THE LATEST REVISION.</small>		DWN SK LEAW 31 JUL 2006 CHN SF LEONG 31 JUL 2006 APVD SF LEONG 31 JUL 2006	tyco Electronics Tyco Electronics Singapore Pte. Ltd.
DIMENSIONS: mm 	TOLERANCES, UNLESS OTHERWISE SPECIFIED: 0 PLC ± 1 PLC ± 2 PLC ±0.20 3 PLC ± 4 PLC ± ANGLES ±3° FINISH -	NAME SF LEONG PRODUCT SPEC 108-51067 APPLICATION SPEC 114-51013 WEIGHT - CUSTOMER DRAWING	NAME SAS BACKPLANE RECEPTACLE, VERTICAL, PRESS-FIT SIZE A2 CAGE CODE 00779 DRAWING NO C=1735368 SCALE 4:1 SHEET 2 OF 2 REV B