



Chipsmall Limited consists of a professional team with an average of over 10 year of expertise in the distribution of electronic components. Based in Hongkong, we have already established firm and mutual-benefit business relationships with customers from,Europe,America and south Asia,supplying obsolete and hard-to-find components to meet their specific needs.

With the principle of “Quality Parts,Customers Priority,Honest Operation,and Considerate Service”,our business mainly focus on the distribution of electronic components. Line cards we deal with include Microchip,ALPS,ROHM,Xilinx,Pulse,ON,Everlight and Freescale. Main products comprise IC,Modules,Potentiometer,IC Socket,Relay,Connector.Our parts cover such applications as commercial,industrial, and automotives areas.

We are looking forward to setting up business relationship with you and hope to provide you with the best service and solution. Let us make a better world for our industry!



Contact us

Tel: +86-755-8981 8866 Fax: +86-755-8427 6832

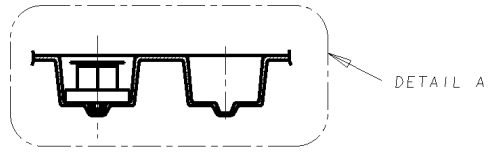
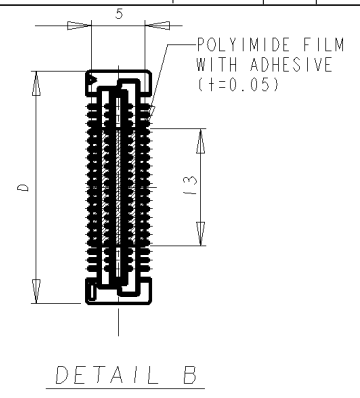
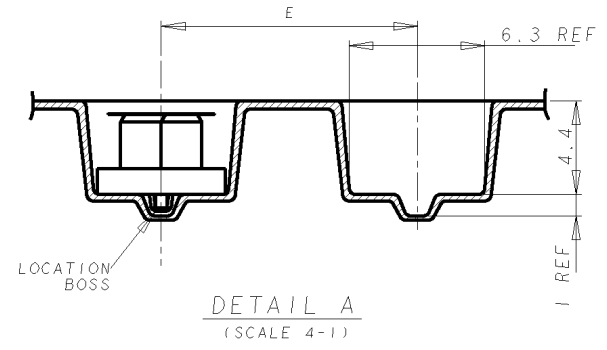
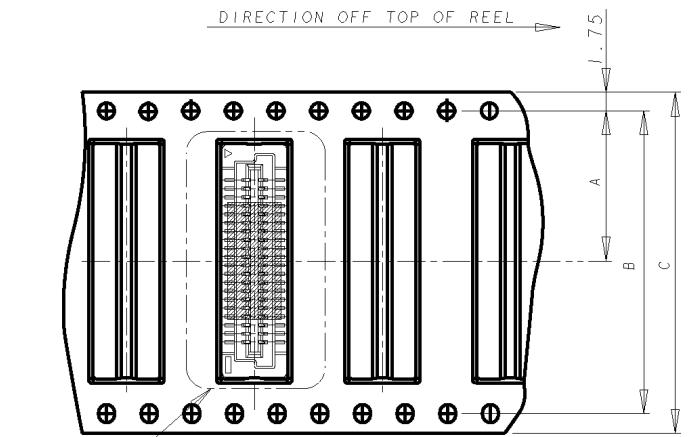
Email & Skype: info@chipsmall.com Web: www.chipsmall.com

Address: A1208, Overseas Decoration Building, #122 Zhenhua RD., Futian, Shenzhen, China



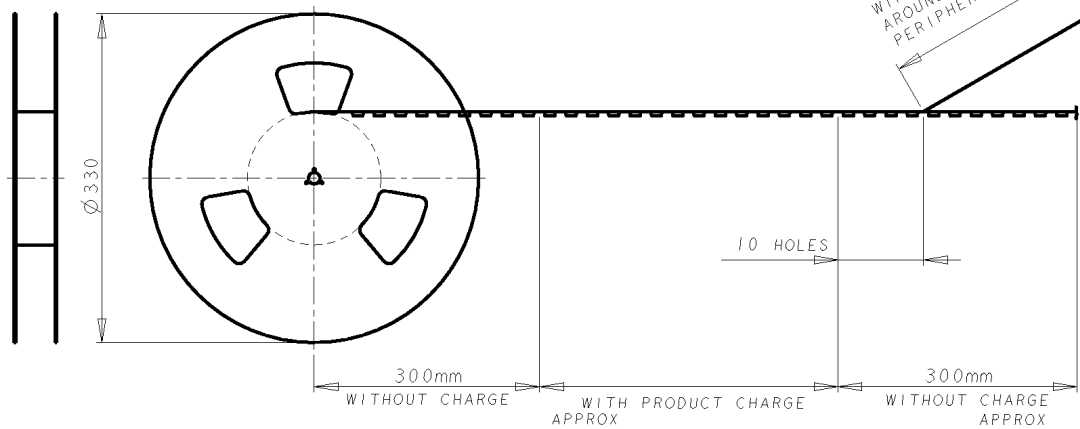
THIS DRAWING IS UNPUBLISHED. RELEASED FOR PUBLICATION .19
 BY AMP INCORPORATED. ALL RIGHTS RESERVED.

| LOC | DIST | REVISIONS | | | | | |
|-----|------|-----------|-----|-------------------|---------|-----|------|
| DY | - | P | LTR | DESCRIPTION | DATE | DWN | APVD |
| | | 0 | | NPR ECR-07-011673 | 18MAY07 | LWY | SYJ |
| | | 1 | | ECR-12-013939 | 3AUG12 | I.T | Y.S |



- NOTES:
- 1 MATERIAL:
HOUSING: HIGH TEMP THERMOPLASTICS UL94-V0
CONTACTS: COPPER ALLOY
 - 2 FINISH:
UNDERPLATE: 1.3um MIN NICKEL
MATING AREA: 0.2um MIN AU
SOLDERTAIL: 2.0um MIN TIN-LEAD

WINDING THE COVER TAPE
AROUND THE OUTER
PERIPHERY IN A TURN.



| | | | | | | | | | |
|---------|-----|----|------|----|------|------|---------------|-----|-----------|
| 08Au/Sn | 700 | 16 | 45.8 | 72 | 68.4 | 34.2 | 5177983-4 | 100 | 1735436-4 |
| REMARKS | QTY | E | D | C | B | A | CONNECTOR P/N | POS | PART NO. |

| | | | | | |
|---|-------------|--------------------------|------------------------------|---|--------------------|
| THIS DRAWING IS A CONTROLLED DOCUMENT FOR AMP INCORPORATED. IT IS SUBJECT TO CHANGE AND THE CONTROLLING ENGINEERING ORGANIZATION SHOULD BE CONTACTED FOR THE LATEST REVISION. | | DWN WYLEE | 18MAY2007 | Tyco Electronics Singapore Pte. Ltd. | |
| DIMENSIONS: mm | | CHR YJ SEE | APVD SE LFONG | NAME RECEPTACLE ASSY FOR 0.8 FH BTB CONN. 5mm HEIGHT (0.5mm BOSS LENGTH), ON EMBOSS TAPING WITH POLYIMIDE FILM, LF | |
| TOLERANCES UNLESS OTHERWISE SPECIFIED: 0 PLC ± - 1 PLC ± 0.30 2 PLC ± 0.25 3 PLC ± 0.20 4 PLC ± - ANGLES ± 3° | | PRODUCT SPEC 108-5390 | APPLICATION SPEC 114-5254 | SIZE A3 | CAGE CODE 00779 |
| MATERIAL 1 | FINISH 2 | WEIGHT - | DRAWING NO. C= 1735436 | | |
| CUSTOMER DRAWING | | | SCALE 2:1 | SHEET OF | REV 1 |