



Chipsmall Limited consists of a professional team with an average of over 10 year of expertise in the distribution of electronic components. Based in Hongkong, we have already established firm and mutual-benefit business relationships with customers from,Europe,America and south Asia,supplying obsolete and hard-to-find components to meet their specific needs.

With the principle of “Quality Parts,Customers Priority,Honest Operation,and Considerate Service”,our business mainly focus on the distribution of electronic components. Line cards we deal with include Microchip,ALPS,ROHM,Xilinx,Pulse,ON,Everlight and Freescale. Main products comprise IC,Modules,Potentiometer,IC Socket,Relay,Connector.Our parts cover such applications as commercial,industrial, and automotives areas.

We are looking forward to setting up business relationship with you and hope to provide you with the best service and solution. Let us make a better world for our industry!



Contact us

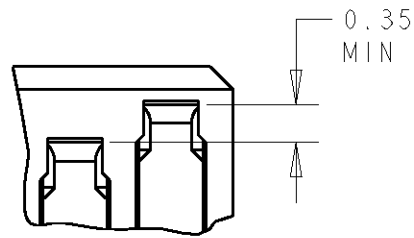
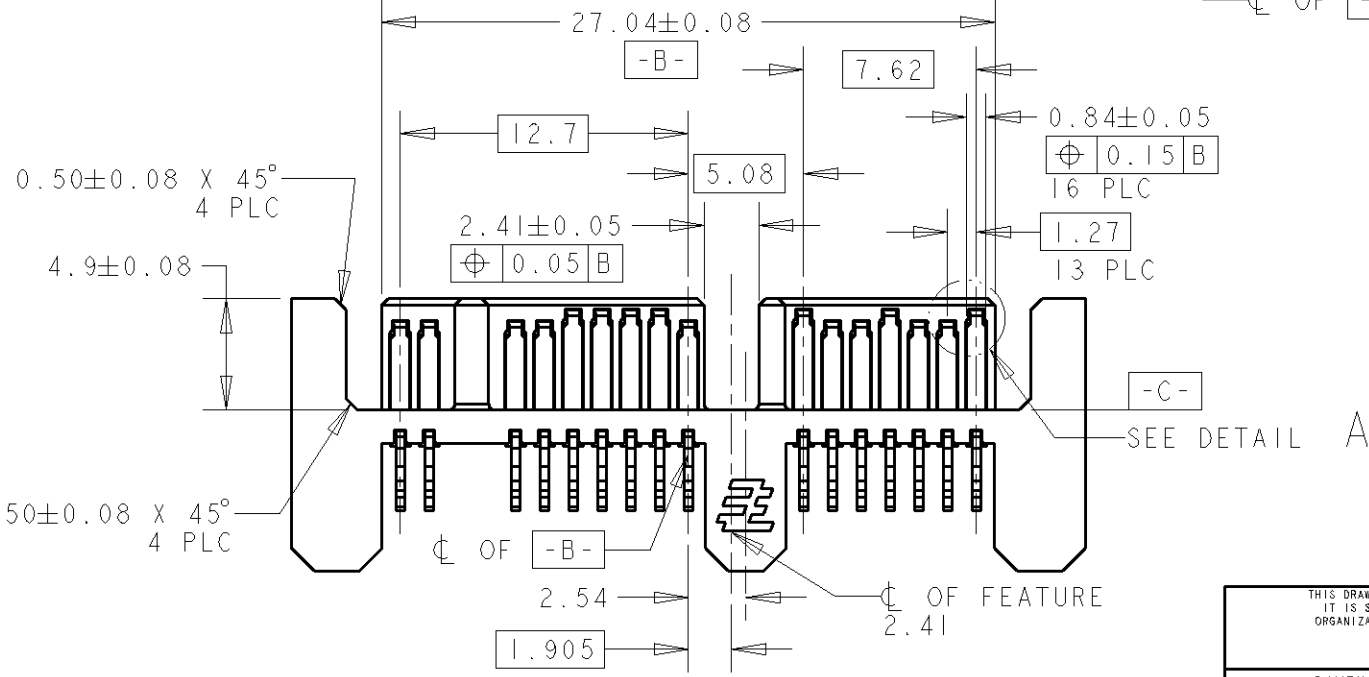
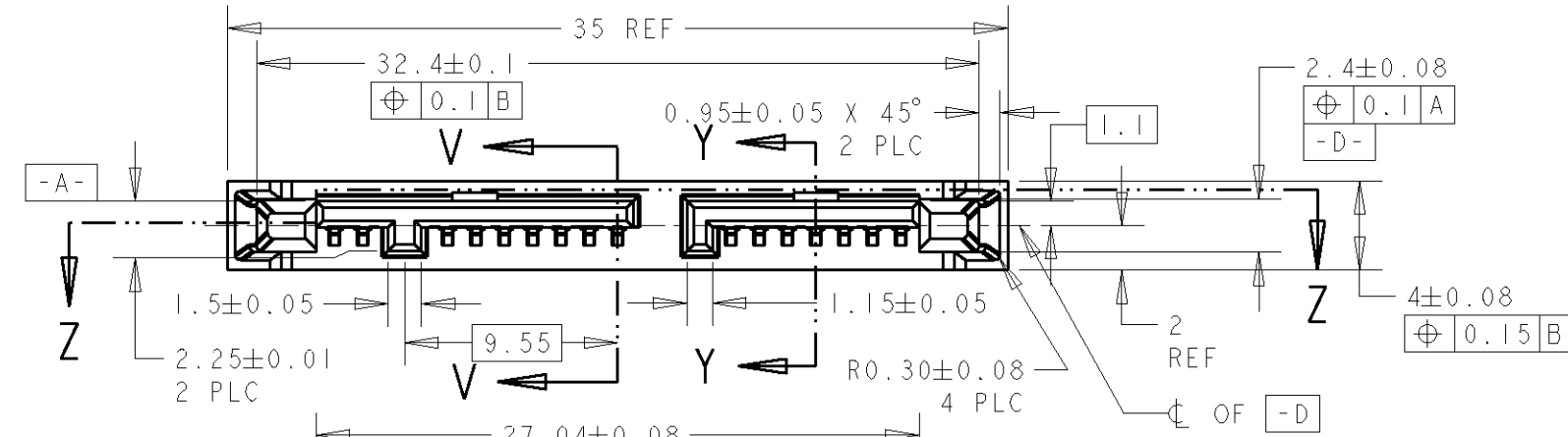
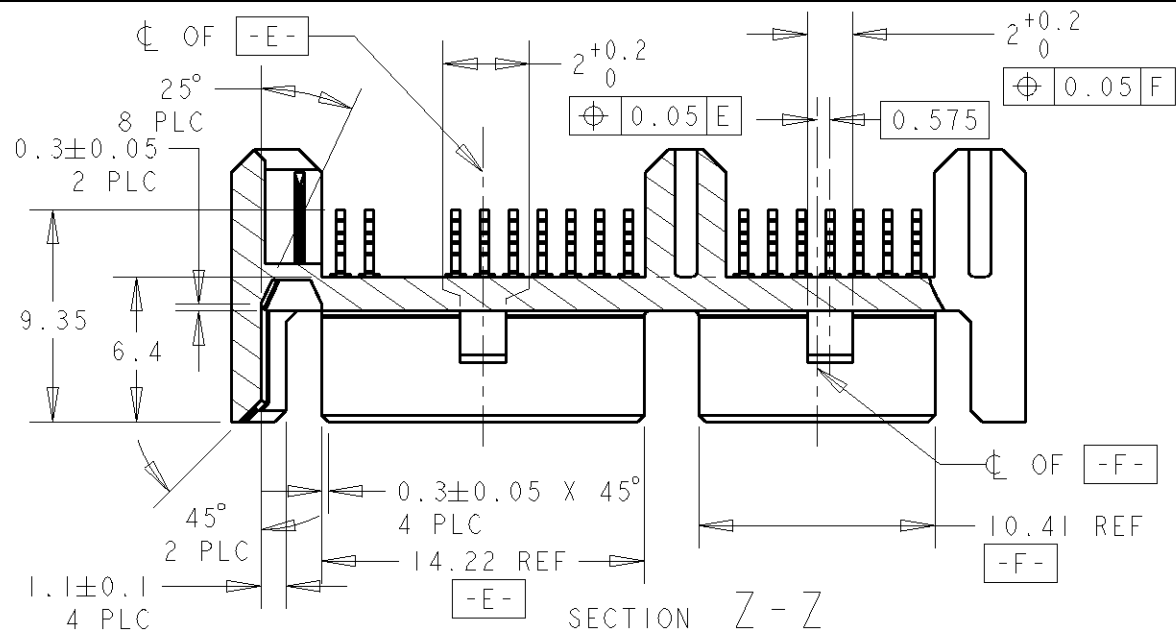
Tel: +86-755-8981 8866 Fax: +86-755-8427 6832

Email & Skype: info@chipsmall.com Web: www.chipsmall.com

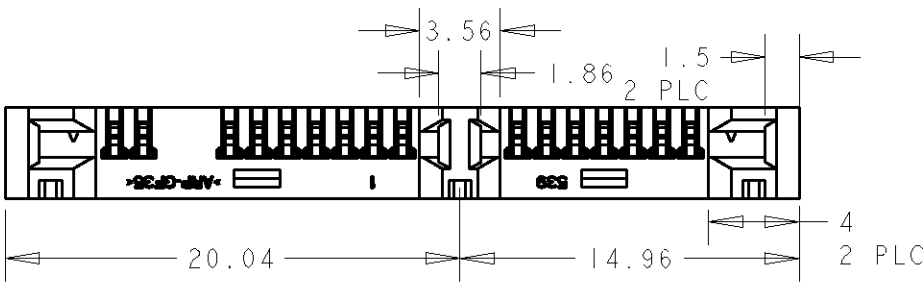
Address: A1208, Overseas Decoration Building, #122 Zhenhua RD., Futian, Shenzhen, China



LOC		DIST		REVISIONS			
P	LTR	DESCRIPTION	DATE	DWN	APVD		
DY	-	A	NPR ECR-07-017845	03SEP2007	YKW	LSF	



DETAIL A
SCALE 10:1



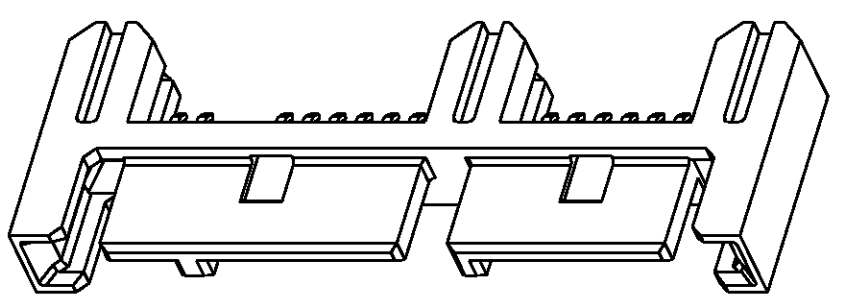
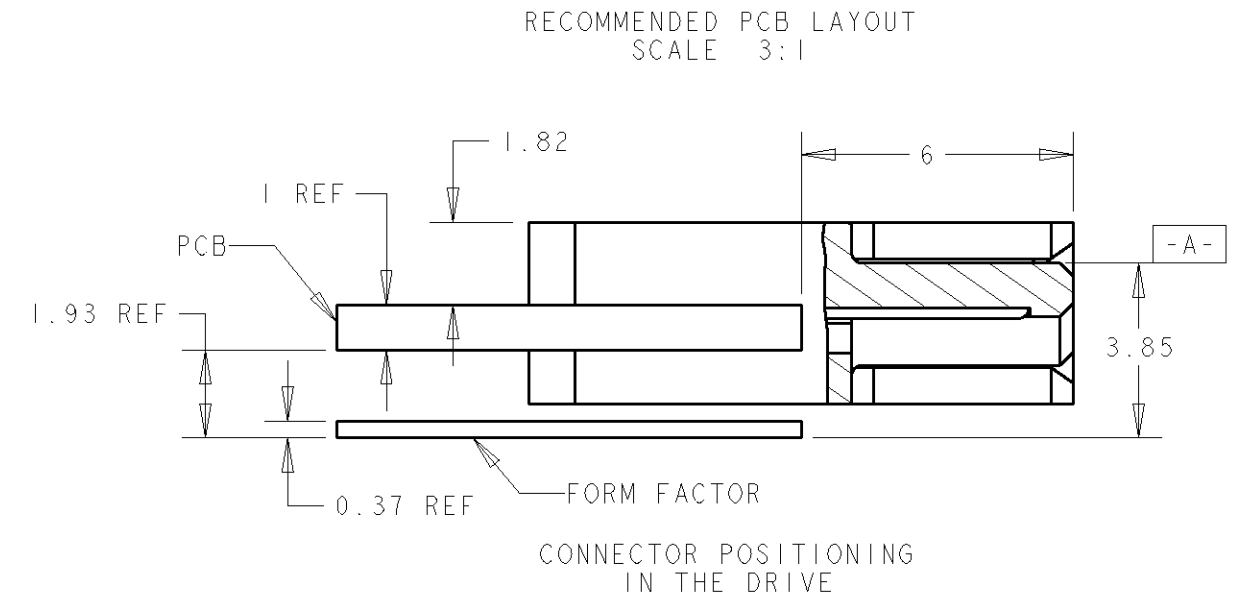
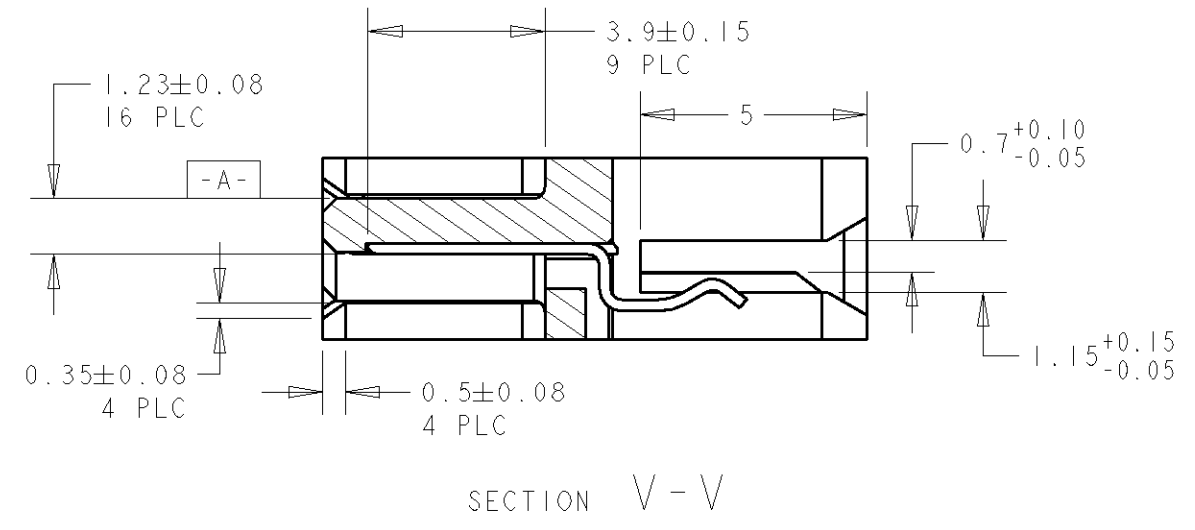
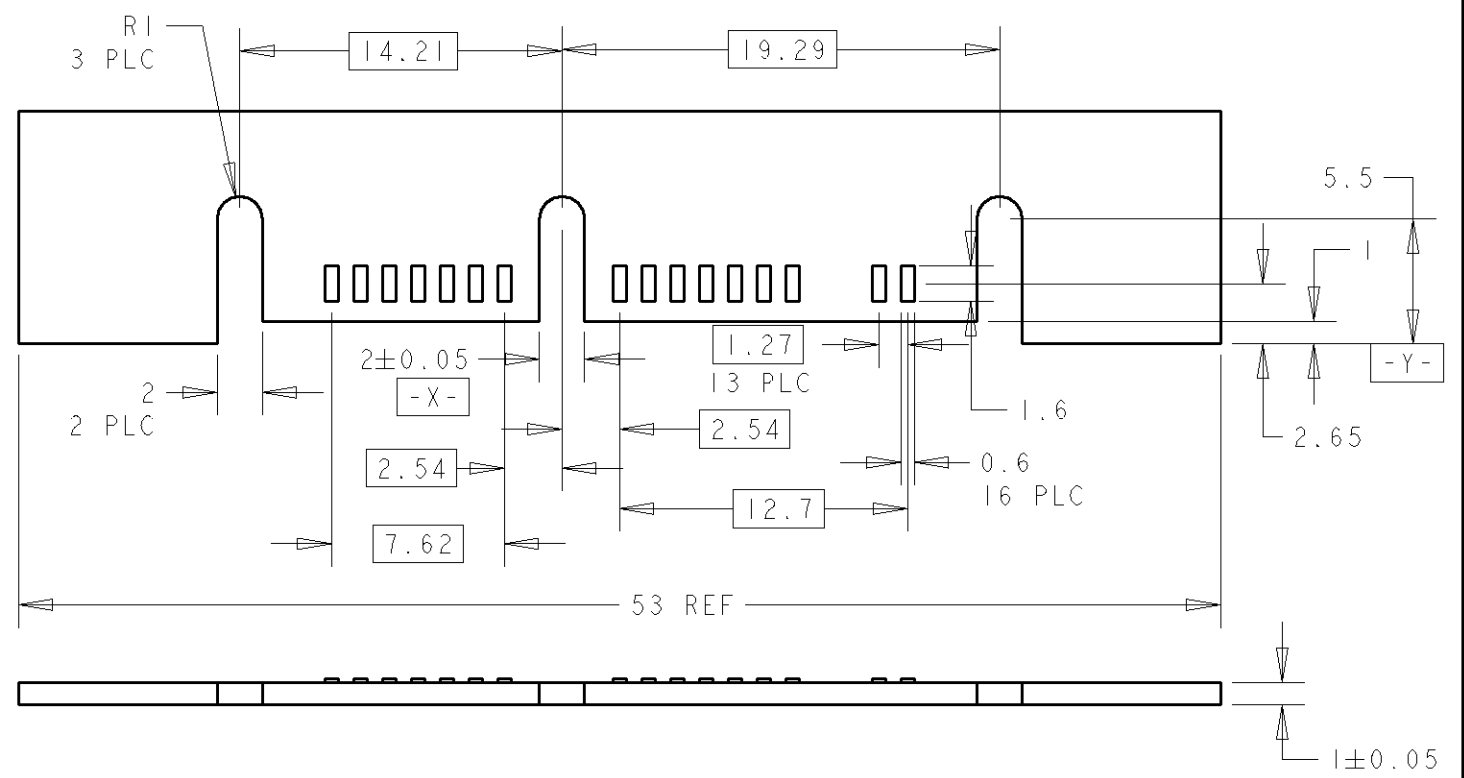
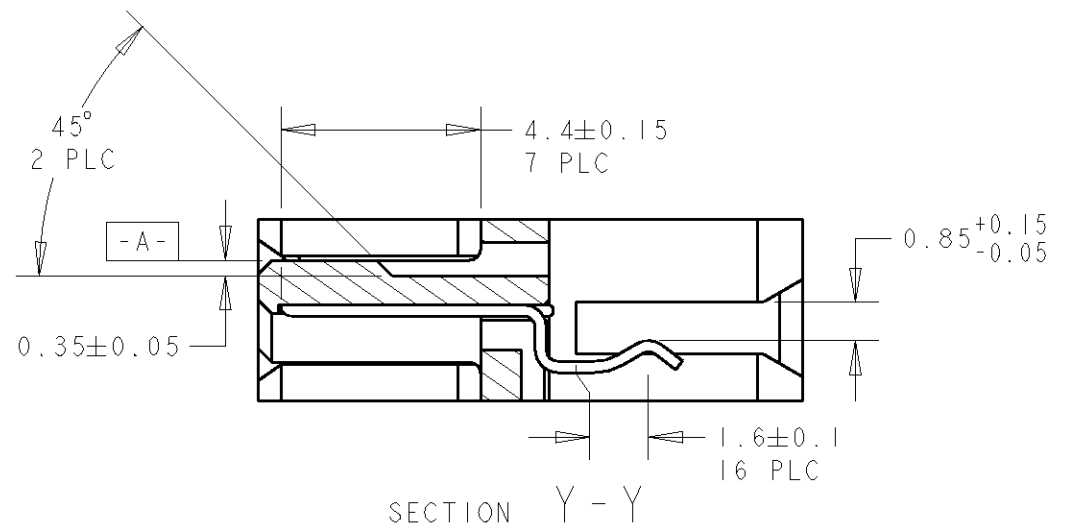
NOTE:
 1 MATERIAL:
 HOUSING: HIGH TEMP THERMOPLASTIC, UL94 V-0, BLACK
 CONTACT: COPPER ALLOY
 2 FINISH:
 CONTACT: "A" MIN GOLD AT MATING AREA (SEE TABLE)
 AND 0.05µm MIN GOLD AT SOLDER TAIL AREA
 WITH 1.27µm MIN NICKEL UNDERPLATE ALL OVER.

0.76µm	1735443-3
0.38µm	1735443-2
0.05µm	1735443-1
"A"	PART NO.

THIS DRAWING IS A CONTROLLED DOCUMENT FOR AMP INCORPORATED. IT IS SUBJECT TO CHANGE AND THE CONTROLLING ENGINEERING ORGANIZATION SHOULD BE CONTACTED FOR THE LATEST REVISION.		DWN KW YAP 03SEP2007	Tyco Electronics Singapore Pte. Ltd.	
DIMENSIONS: mm		CHK SF LEONG	NAME	
TOLERANCES UNLESS OTHERWISE SPECIFIED:		APVD SF LEONG	CONNECTOR, MICRO SATA PLUG, 7P+9P STRADDLE MOUNT	
0 PLC ±0.20		PRODUCT SPEC 108-51089	SIZE A3	
1 PLC ±0.20		APPLICATION SPEC	CAGE CODE 00779	DRAWING NO 1735443
2 PLC ±0.20		WEIGHT -	SCALE 1:1	
3 PLC ±0.20		CUSTOMER DRAWING	SHEET 1 OF 2	
4 PLC ±			REV A	
ANGLES ±2°				
MATERIAL 1	FINISH 2			

THIS DRAWING IS UNPUBLISHED. RELEASED FOR PUBLICATION .19 .
 © COPYRIGHT 19 BY AMP INCORPORATED. ALL RIGHTS RESERVED.

LOC	DIST	REVISIONS			
P	LTR	DESCRIPTION	DATE	DWN	APVD
DY	-	SEE SHEET 1			



THIS DRAWING IS A CONTROLLED DOCUMENT FOR AMP INCORPORATED. IT IS SUBJECT TO CHANGE AND THE CONTROLLING ENGINEERING ORGANIZATION SHOULD BE CONTACTED FOR THE LATEST REVISION.		DWN KW YAP 23MAY2007	Tyco Electronics Singapore Pte. Ltd.	
DIMENSIONS: mm		CHK SF LEONG	NAME	
TOLERANCES UNLESS OTHERWISE SPECIFIED:		APVD SF LEONG	CONNECTOR, MICRO SATA PLUG, 7P+9P STRADDLE MOUNT	
0 PLC ±0.20	1 PLC ±0.20	PRODUCT SPEC 108-51089	SIZE A3	CAGE CODE 00779
2 PLC ±0.20	3 PLC ±0.20	APPLICATION SPEC -	DRAWING NO 1735443	SCALE 1:1
4 PLC ±0.20	ANGLES ±°	WEIGHT -	CUSTOMER DRAWING	SHEET 2 OF 2
MATERIAL	FINISH			REV A