



Chipsmall Limited consists of a professional team with an average of over 10 year of expertise in the distribution of electronic components. Based in Hongkong, we have already established firm and mutual-benefit business relationships with customers from,Europe,America and south Asia,supplying obsolete and hard-to-find components to meet their specific needs.

With the principle of “Quality Parts,Customers Priority,Honest Operation,and Considerate Service”,our business mainly focus on the distribution of electronic components. Line cards we deal with include Microchip,ALPS,ROHM,Xilinx,Pulse,ON,Everlight and Freescale. Main products comprise IC,Modules,Potentiometer,IC Socket,Relay,Connector.Our parts cover such applications as commercial,industrial, and automotives areas.

We are looking forward to setting up business relationship with you and hope to provide you with the best service and solution. Let us make a better world for our industry!



Contact us

Tel: +86-755-8981 8866 Fax: +86-755-8427 6832

Email & Skype: info@chipsmall.com Web: www.chipsmall.com

Address: A1208, Overseas Decoration Building, #122 Zhenhua RD., Futian, Shenzhen, China



4

3

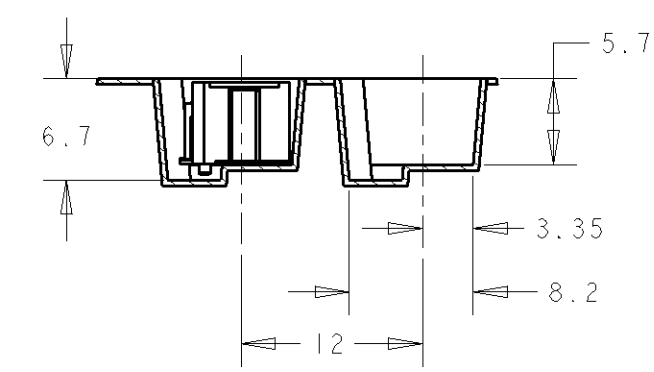
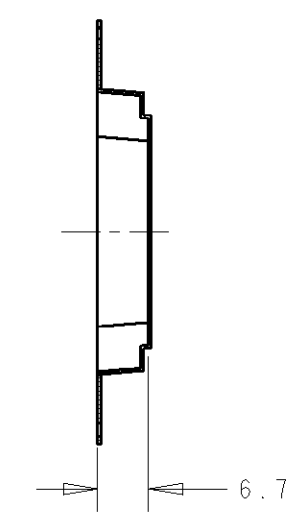
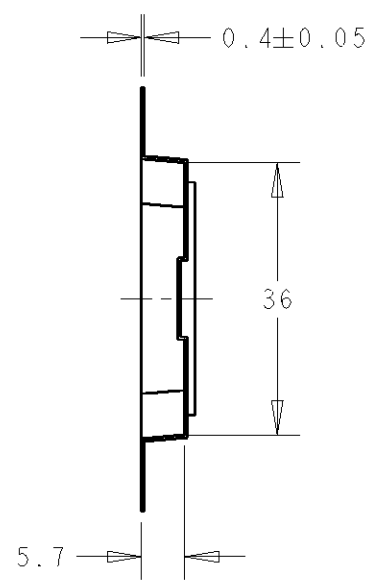
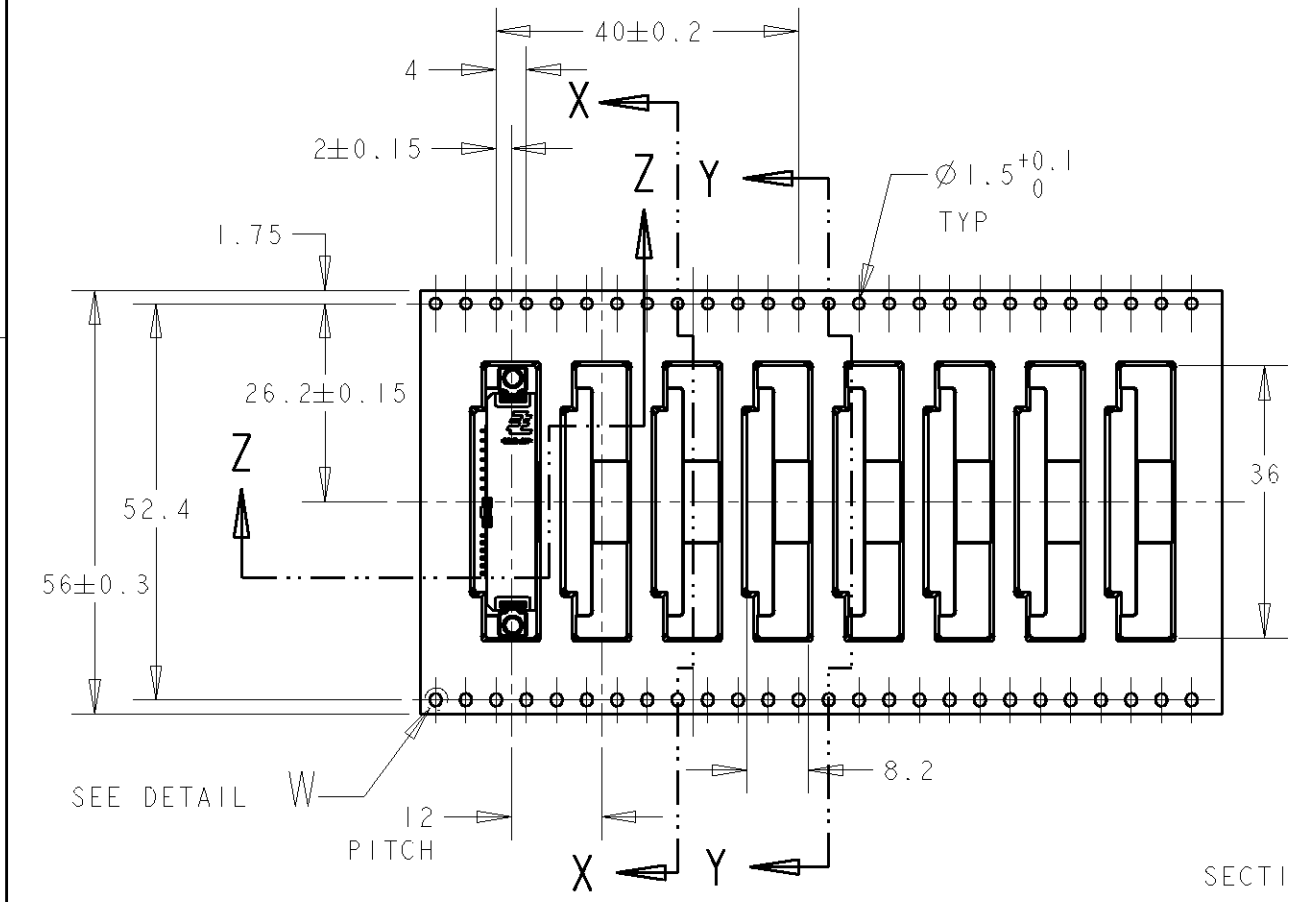
2

1

THIS DRAWING IS UNPUBLISHED. RELEASED FOR PUBLICATION .19
 © COPYRIGHT 19 BY AMP INCORPORATED. ALL RIGHTS RESERVED.

LOC	DIST	REVISIONS					
		P	LTR	DESCRIPTION	DATE	DWN	APVD
DY	-	A4		REVISED ECR-08-010019	18APR2008	YKW	LSF

P/N AS SHOWN: 1735471-1, -2, -3



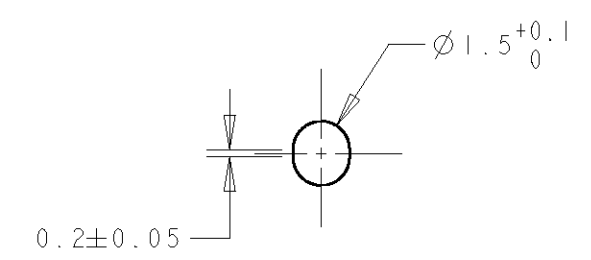
SECTION Z-Z
SCALE 2:1

SEE DETAIL W

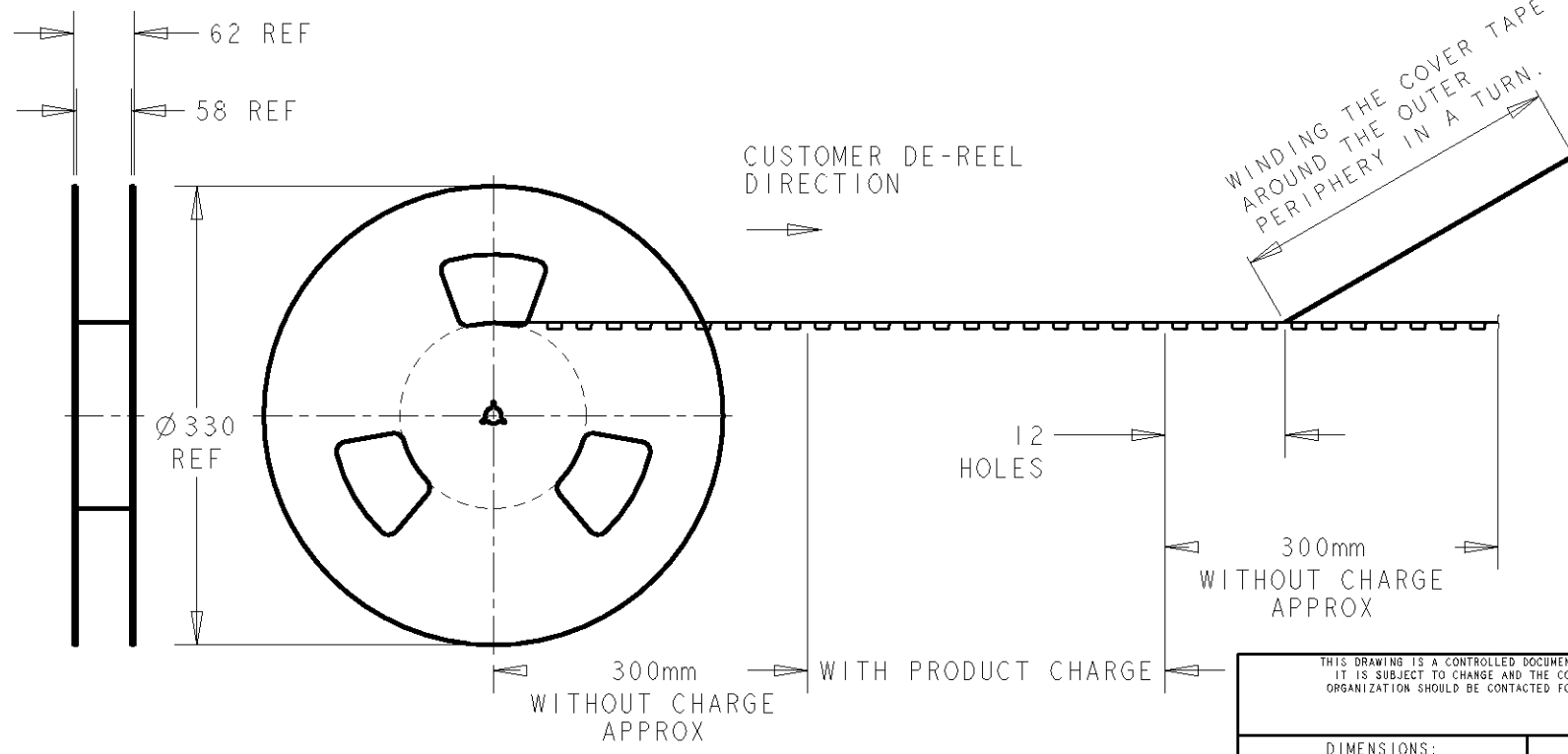
12 PITCH

SECTION X-X

SECTION Y-Y



DETAIL W
SCALE 5:1



PEELING STRENGTH: 20g TO 70g
 PEELING ANGLE: 165° TO 180°
 PEELING SPEED: 300mm/MINUTE
 QUANTITY PER REEL: 650 PIECES

TRAY		1-1735471-3
TAPE & REEL	0.76µm	1735471-3
PACKAGING TYPE	"A"	PART NO.

THIS DRAWING IS A CONTROLLED DOCUMENT FOR AMP INCORPORATED. IT IS SUBJECT TO CHANGE AND THE CONTROLLING ENGINEERING ORGANIZATION SHOULD BE CONTACTED FOR THE LATEST REVISION.		DWN KW YAP 07AUG2007	Tyco Electronics Corporation Singapore	
DIMENSIONS: mm	TOLERANCES UNLESS OTHERWISE SPECIFIED:	CHK SF LEONG	NAME ASSEMBLY SLIMLINE SATA PLUG 7P+6P (HEIGHT= 5.4mm) WITH LOCATING BOSS AND SQUARE M2 SIDE PEGS	
	0 PLC ±0.2 1 PLC ±0.2 2 PLC ±0.2 3 PLC ±0.2 4 PLC ± ANGLES ±1°	APVD SF LEONG	PRODUCT SPEC 108-51075	SIZE A3
MATERIAL 1	FINISH 2	APPLICATION SPEC N. A.	WEIGHT -	CAGE CODE 00779
CUSTOMER DRAWING		DRAWING NO 1735471		SCALE NTS
		SHEET 1 OF 5		REV A4

4

3

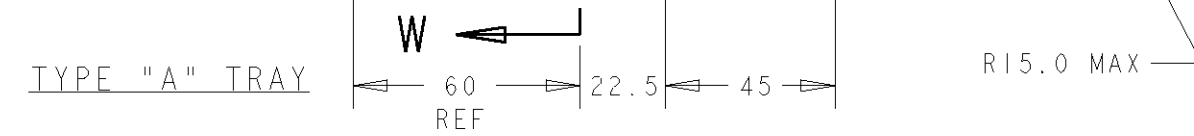
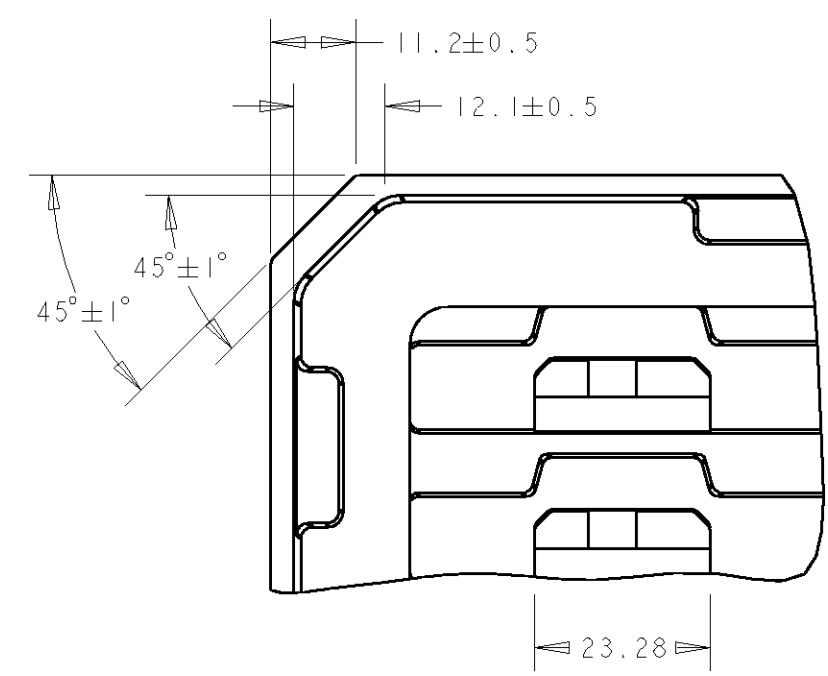
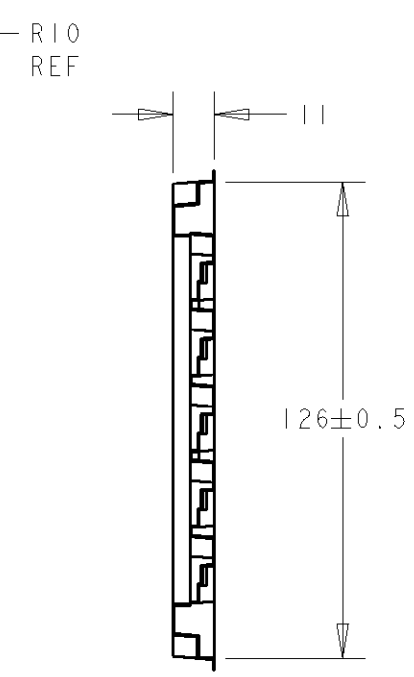
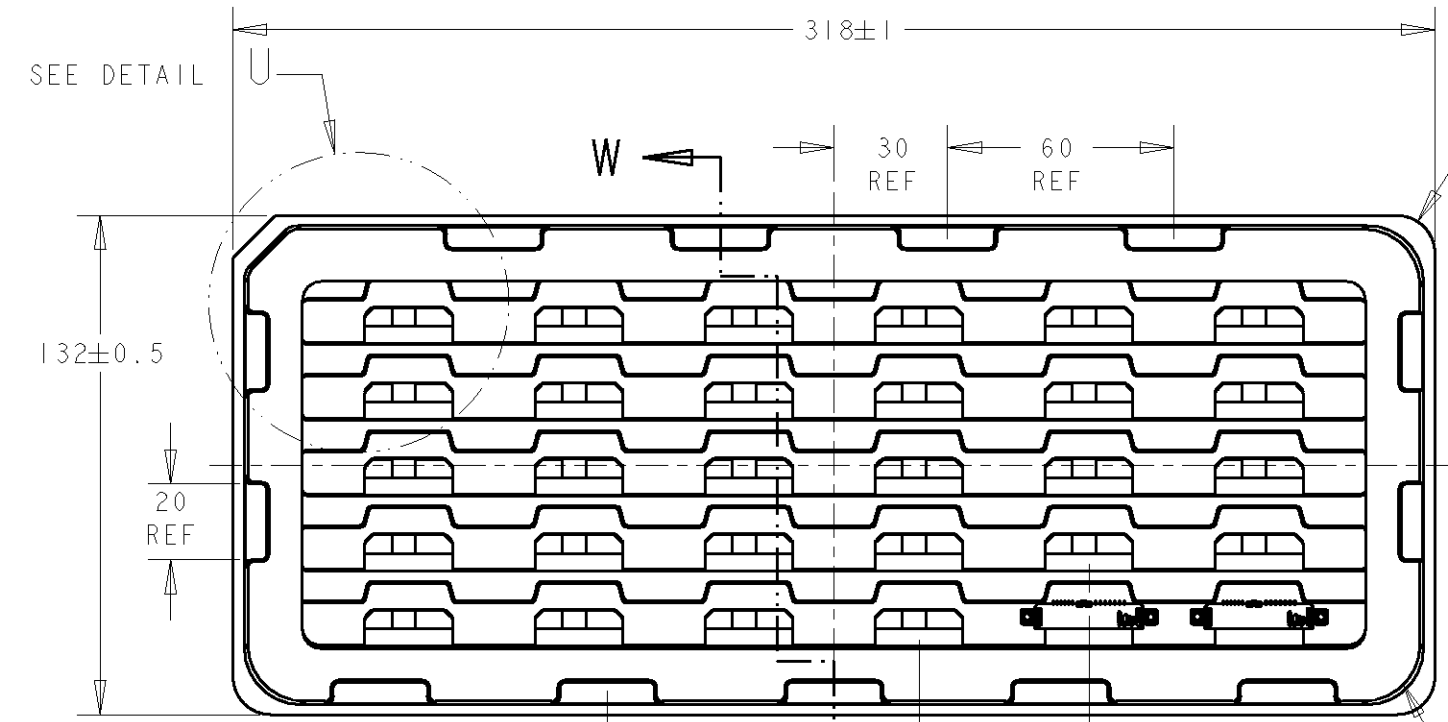
2

1

THIS DRAWING IS UNPUBLISHED. RELEASED FOR PUBLICATION .19
 © COPYRIGHT 19 BY AMP INCORPORATED. ALL RIGHTS RESERVED.

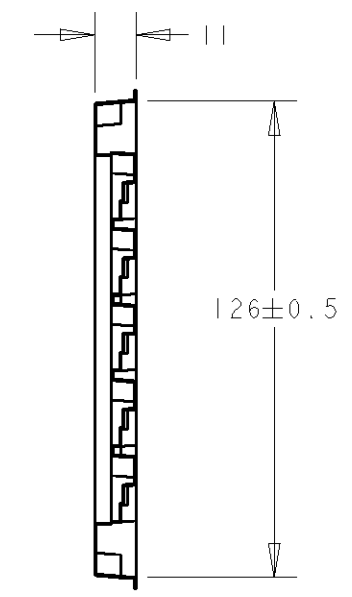
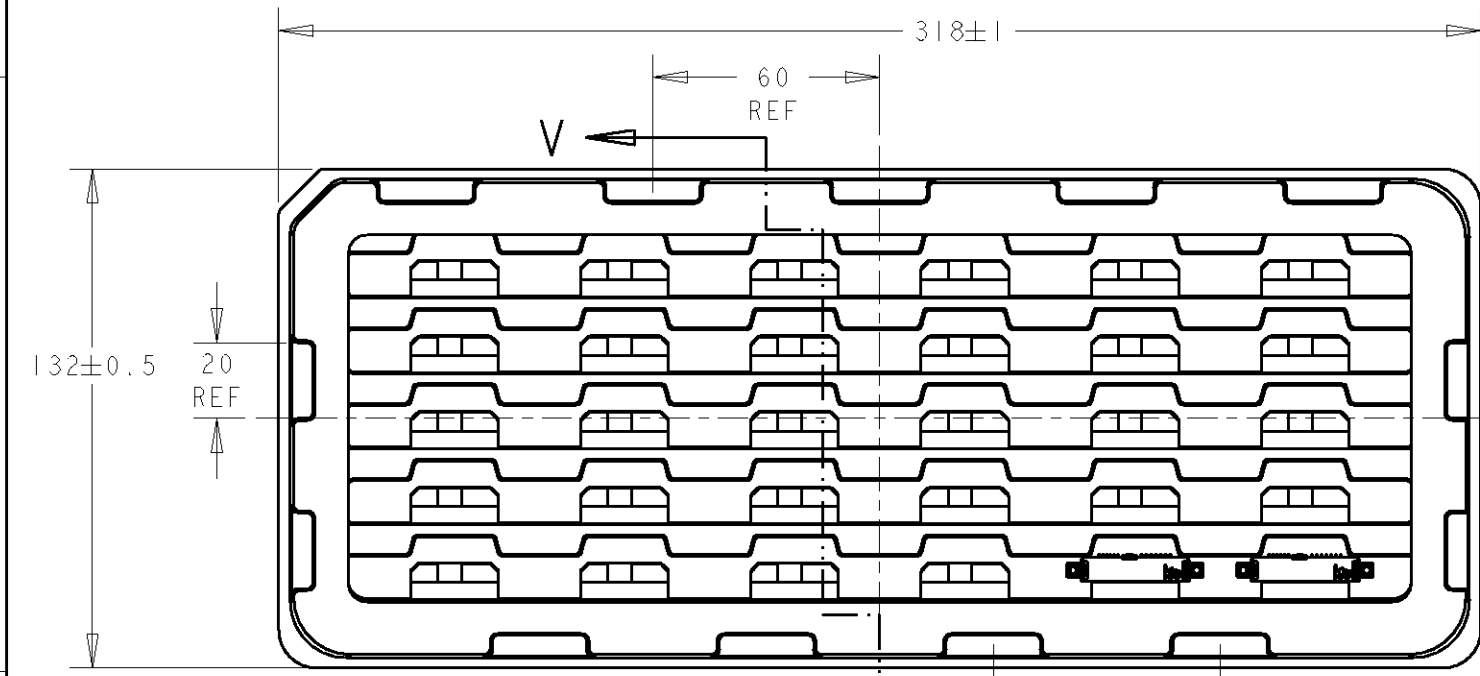
LOC	DIST	REVISIONS			
P	LTR	DESCRIPTION	DATE	DWN	APVD
DY	-	SEE SHEET 1			

P/N AS SHOWN: 1-1735471-1, 1- -2, 1- -3

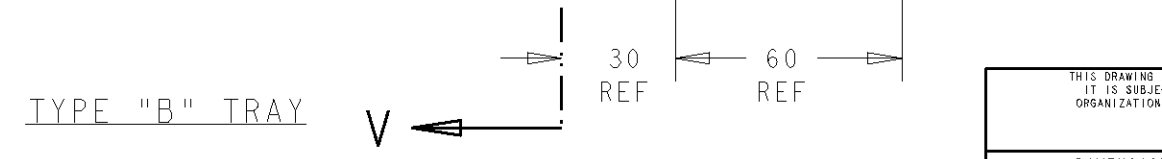


SECTION W-W

DETAIL U
SCALE 1:1

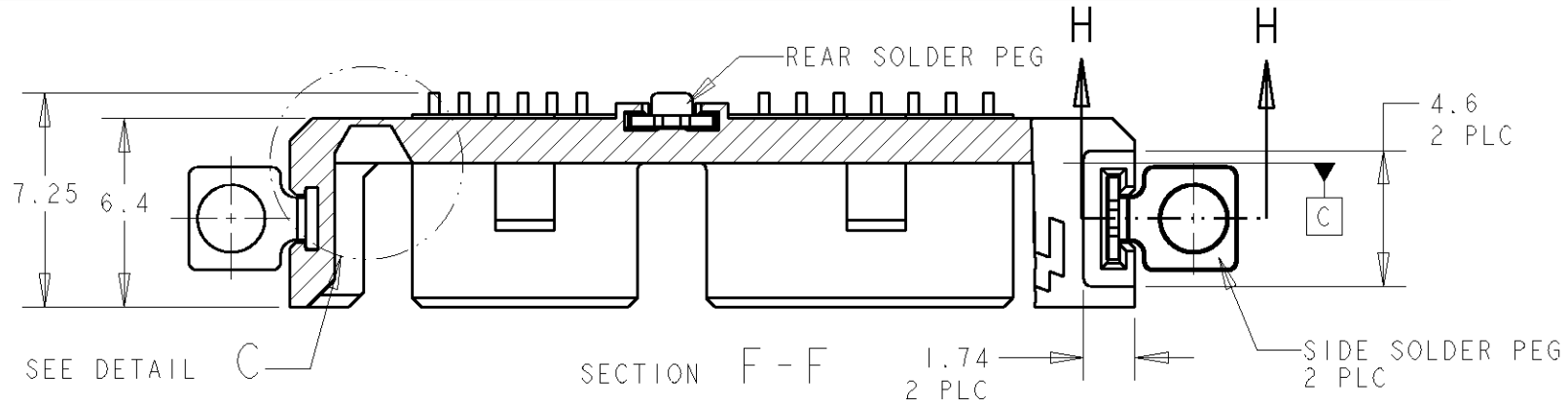


SECTION V-V

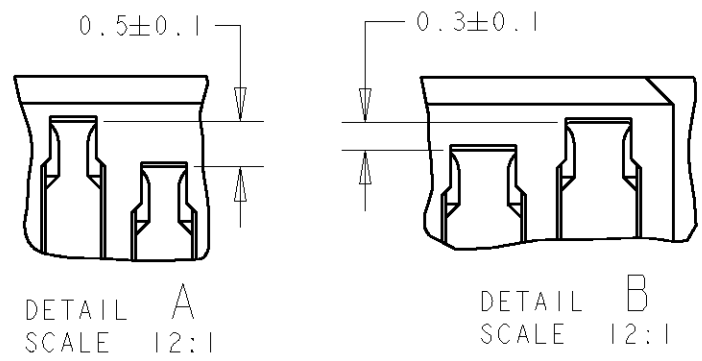
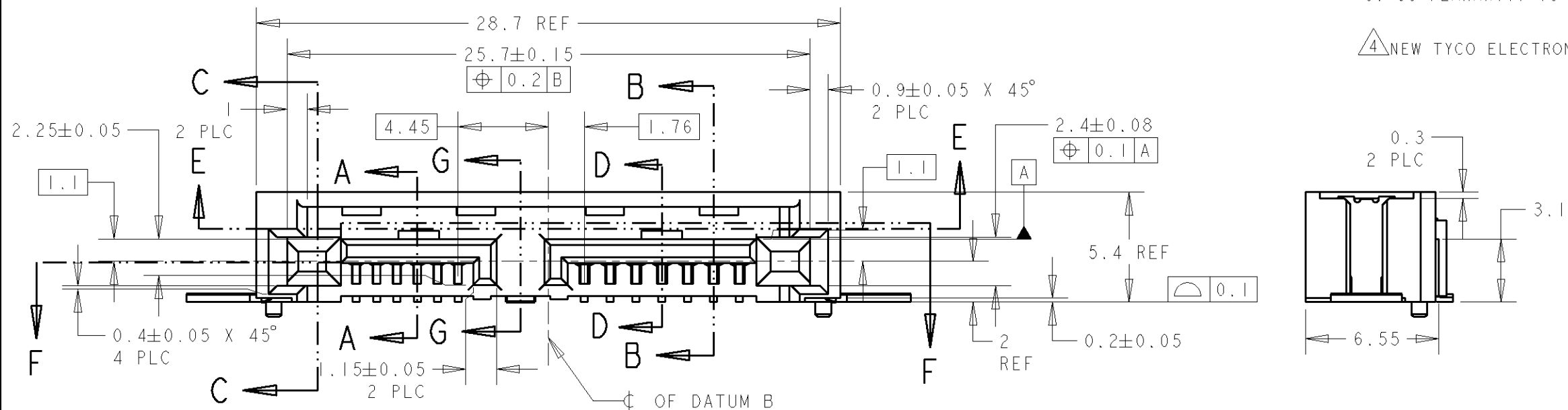


<small>THIS DRAWING IS A CONTROLLED DOCUMENT FOR AMP INCORPORATED. IT IS SUBJECT TO CHANGE AND THE CONTROLLING ENGINEERING ORGANIZATION SHOULD BE CONTACTED FOR THE LATEST REVISION.</small>		DWN KW YAP 07AUG2007	Tyco Electronics Corporation Singapore	
DIMENSIONS: mm 		CHK SF LEONG	NAME ASSEMBLY SLIMLINE SATA PLUG 7P+6P (HEIGHT= 5.4mm) WITH LOCATING BOSS AND SQUARE M2 SIDE PEGS	
TOLERANCES UNLESS OTHERWISE SPECIFIED: 0 PLC ±0.2 1 PLC ±0.2 2 PLC ±0.2 3 PLC ±0.2 4 PLC ± ANGLES ±1°		APVD SF LEONG	PRODUCT SPEC 108-51075	SIZE A3
MATERIAL 		FINISH 	APPLICATION SPEC N. A.	CAGE CODE 00779
		WEIGHT -	DRAWING NO C-1735471	SCALE NTS
CUSTOMER DRAWING			SHEET 2 OF 5	REV A4

LOC	DIST	REVISIONS			
P	LTR	DESCRIPTION	DATE	DWN	APVD
DY	-	SEE SHEET 1			



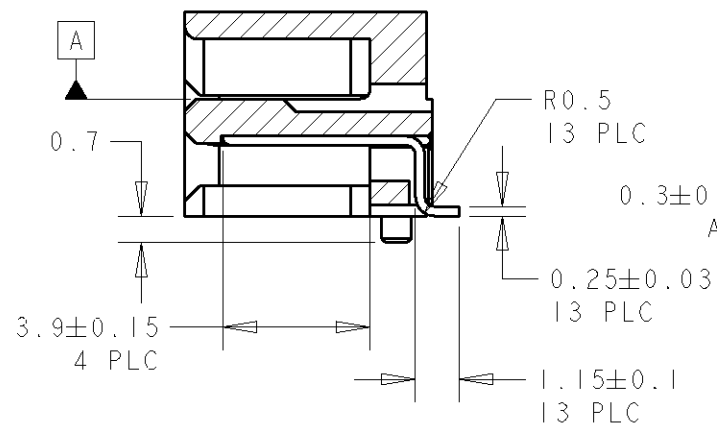
- NOTES:
- 1 MATERIAL:
 HOUSING: HIGH TEMP THERMOPLASTIC, UL94 V-0, BLACK
 CONTACT: COPPER ALLOY
 SOLDER PEG: COPPER ALLOY
 - 2 FINISH:
 CONTACT: "A" MIN GOLD PLATING AT MATING SIDE AND
 0.05µm MIN GOLD AT SOLDER TAIL,
 WITH 1.27µm MIN NICKEL UNDERPLATING ALL OVER
 SOLDER PEG: 2.54µm MIN TIN PLATING AT SOLDERING SURFACE
 WITH 1.27µm MIN NICKEL UNDERPLATING ALL OVER
 - 3. CO-PLANARITY TO BE WITHIN 0.1mm
 - 4 NEW TYCO ELECTRONICS LOGO



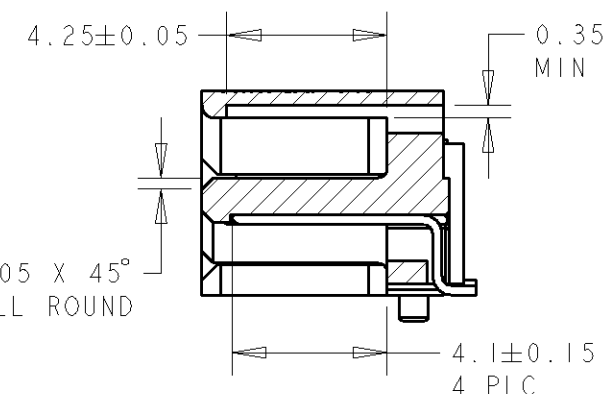
THIS DRAWING IS A CONTROLLED DOCUMENT FOR AMP INCORPORATED. IT IS SUBJECT TO CHANGE AND THE CONTROLLING ENGINEERING ORGANIZATION SHOULD BE CONTACTED FOR THE LATEST REVISION.		DWN 07AUG2007 KW YAP CHK SF LEONG APVD SF LEONG PRODUCT SPEC 108-51075 APPLICATION SPEC N. A. WEIGHT -	Tyco Electronics Corporation Singapore NAME ASSEMBLY SLIMLINE SATA PLUG 7P+6P (HEIGHT= 5.4mm) WITH LOCATING BOSS AND SQUARE M2 SIDE PEGS SIZE A3 CAGE CODE 00779 DRAWING NO C-1735471
DIMENSIONS: mm 	TOLERANCES UNLESS OTHERWISE SPECIFIED: 0 PLC ±0.2 1 PLC ±0.2 2 PLC ±0.2 3 PLC ±0.2 4 PLC ± ANGLES ±1°	MATERIAL 1 FINISH 2	CUSTOMER DRAWING SCALE 4:1 SHEET 3 OF 5 REV A4

THIS DRAWING IS UNPUBLISHED. RELEASED FOR PUBLICATION .19 .
 © COPYRIGHT 19 BY AMP INCORPORATED. ALL RIGHTS RESERVED.

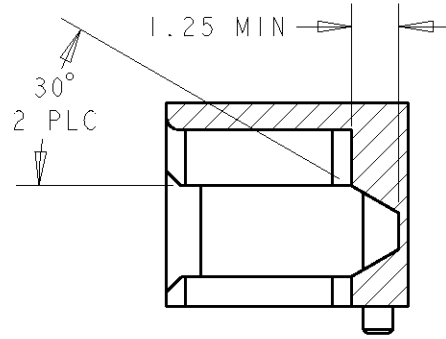
LOC	DIST	REVISIONS			
P	LTR	DESCRIPTION	DATE	DWN	APVD
DY	-	SEE SHEET 1			



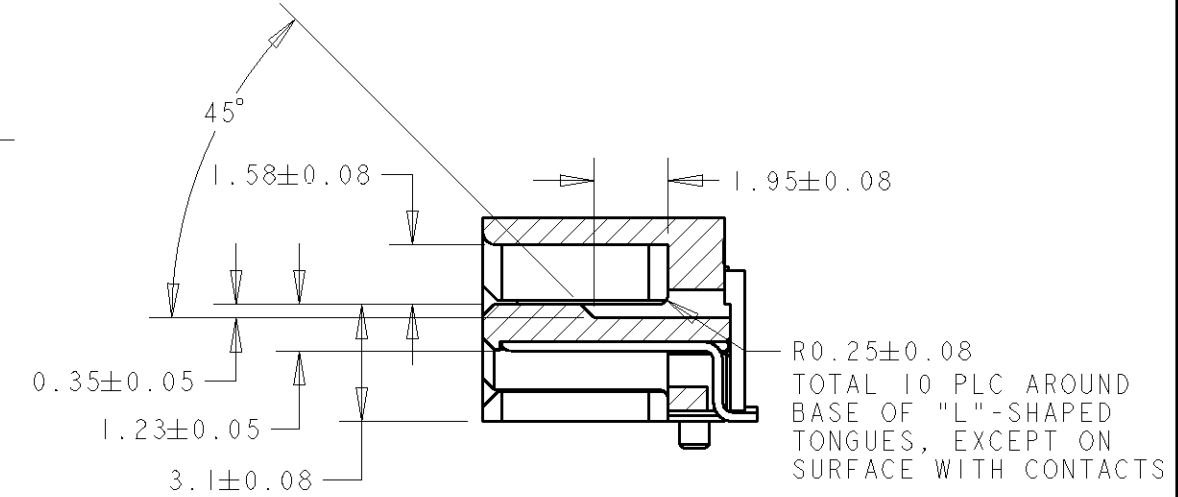
SECTION A-A
SCALE 5:1



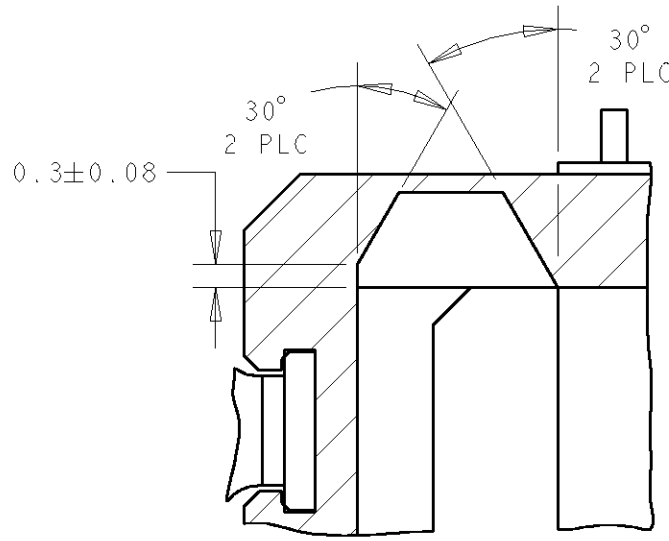
SECTION B-B
SCALE 5:1



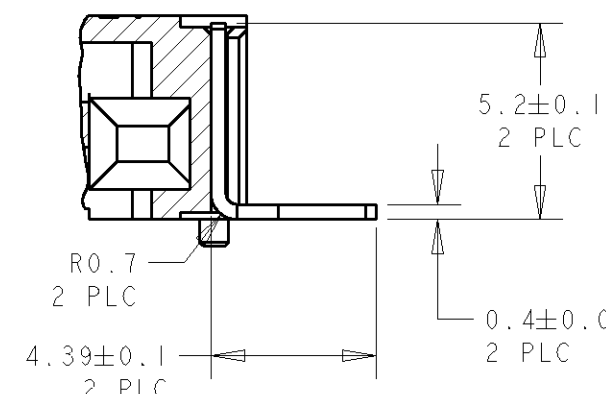
SECTION C-C
SCALE 5:1



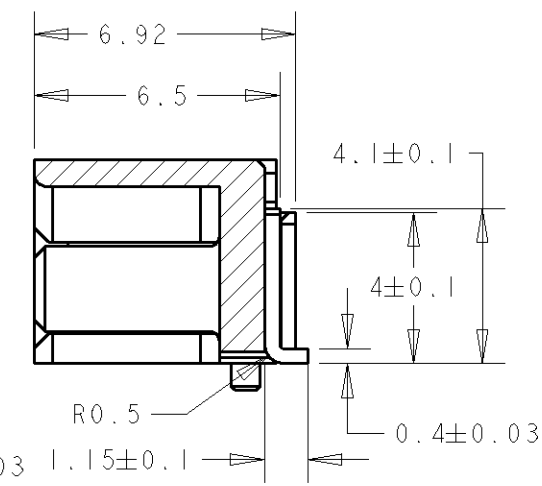
SECTION D-D
SCALE 5:1



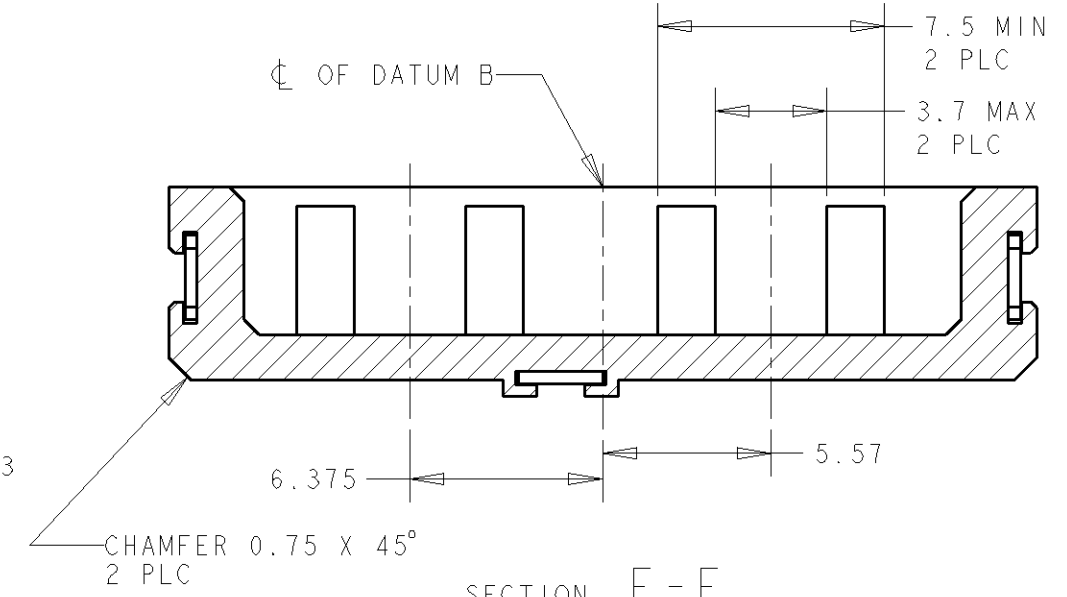
DETAIL C
SCALE 10:1



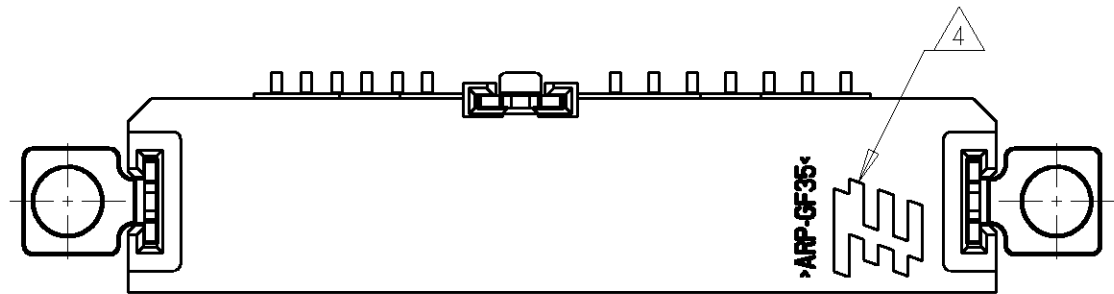
SECTION H-H
SCALE 5:1



SECTION G-G
SCALE 5:1



SECTION E-E



<small>THIS DRAWING IS A CONTROLLED DOCUMENT FOR AMP INCORPORATED. IT IS SUBJECT TO CHANGE AND THE CONTROLLING ENGINEERING ORGANIZATION SHOULD BE CONTACTED FOR THE LATEST REVISION.</small>		DWN KW YAP 07AUG2007 CHK SF LEONG APVD SF LEONG PRODUCT SPEC 108-51075 APPLICATION SPEC N. A. WEIGHT -	Tyco Electronics Tyco Electronics Corporation Singapore NAME ASSEMBLY SLIMLINE SATA PLUG 7P+6P (HEIGHT= 5.4mm) WITH LOCATING BOSS AND SQUARE M2 SIDE PEGS SIZE A3 CAGE CODE 00779 DRAWING NO C-1735471
DIMENSIONS: mm 	TOLERANCES UNLESS OTHERWISE SPECIFIED: 0 PLC ±0.2 1 PLC ±0.2 2 PLC ±0.2 3 PLC ±0.2 4 PLC ± ANGLES ±1°	MATERIAL 1 FINISH 2	CUSTOMER DRAWING SCALE 4:1 SHEET 4 OF 5 REV A4

4

3

2

1

THIS DRAWING IS UNPUBLISHED.

RELEASED FOR PUBLICATION

.19

LOC

DIST

REVISIONS

© COPYRIGHT 19

BY AMP INCORPORATED. ALL RIGHTS RESERVED.

DY

P

LTR

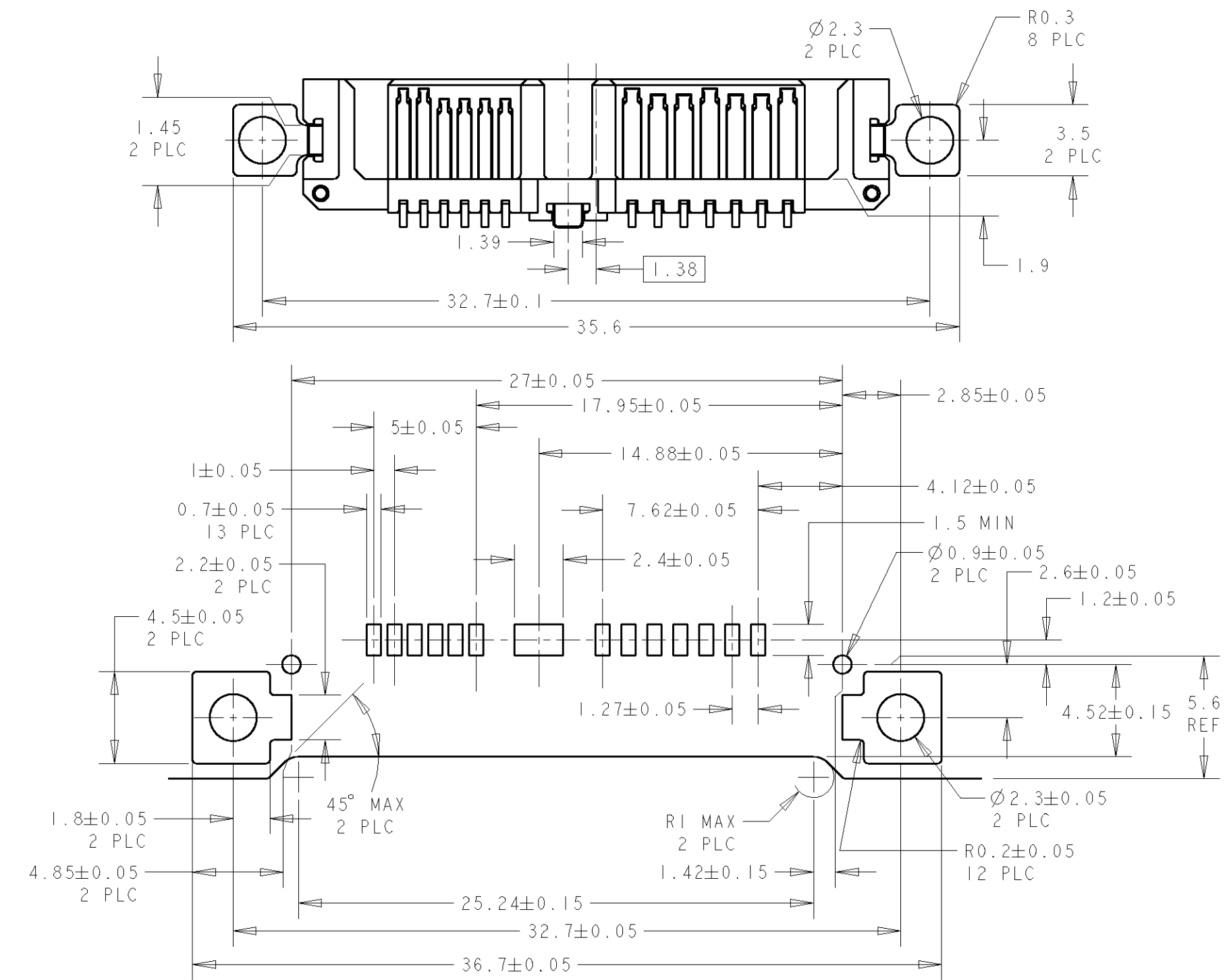
DESCRIPTION

DATE

DWN

APVD

SEE SHEET 1



RECOMMENDED PCB LAYOUT
SCALE 4:1

<small>THIS DRAWING IS A CONTROLLED DOCUMENT FOR AMP INCORPORATED. IT IS SUBJECT TO CHANGE AND THE CONTROLLING ENGINEERING ORGANIZATION SHOULD BE CONTACTED FOR THE LATEST REVISION.</small>		DWN KW YAP 07AUG2007	Tyco Electronics Corporation Singapore
DIMENSIONS: mm	TOLERANCES UNLESS OTHERWISE SPECIFIED: 0 PLC ±0.2 1 PLC ±0.2 2 PLC ±0.2 3 PLC ±0.2 4 PLC ± ANGLES ±1°	CHK SF LEONG APVD SF LEONG PRODUCT SPEC 108-51075 APPLICATION SPEC N. A. WEIGHT -	NAME ASSEMBLY SLIMLINE SATA PLUG 7P+6P (HEIGHT= 5.4mm) WITH LOCATING BOSS AND SQUARE M2 SIDE PEGS
MATERIAL 1	FINISH 2	SIZE A3	CAGE CODE 00779
		DRAWING NO C=1735471	SCALE 4:1
		CUSTOMER DRAWING	SHEET 5 OF 5 REV A4