



Chipsmall Limited consists of a professional team with an average of over 10 year of expertise in the distribution of electronic components. Based in Hongkong, we have already established firm and mutual-benefit business relationships with customers from,Europe,America and south Asia,supplying obsolete and hard-to-find components to meet their specific needs.

With the principle of "Quality Parts,Customers Priority,Honest Operation,and Considerate Service",our business mainly focus on the distribution of electronic components. Line cards we deal with include Microchip,ALPS,ROHM,Xilinx,Pulse,ON,Everlight and Freescale. Main products comprise IC,Modules,Potentiometer,IC Socket,Relay,Connector.Our parts cover such applications as commercial,industrial, and automotives areas.

We are looking forward to setting up business relationship with you and hope to provide you with the best service and solution. Let us make a better world for our industry!



Contact us

Tel: +86-755-8981 8866 Fax: +86-755-8427 6832

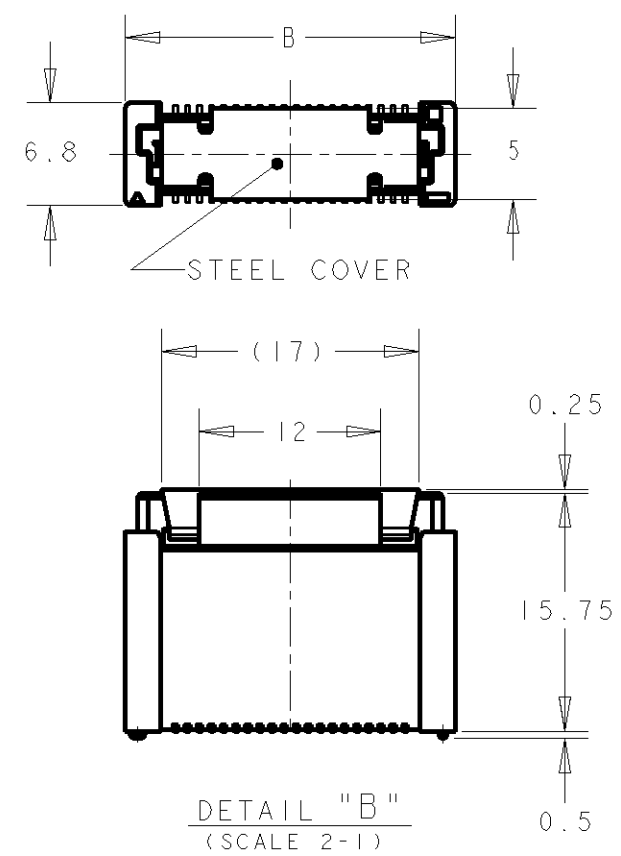
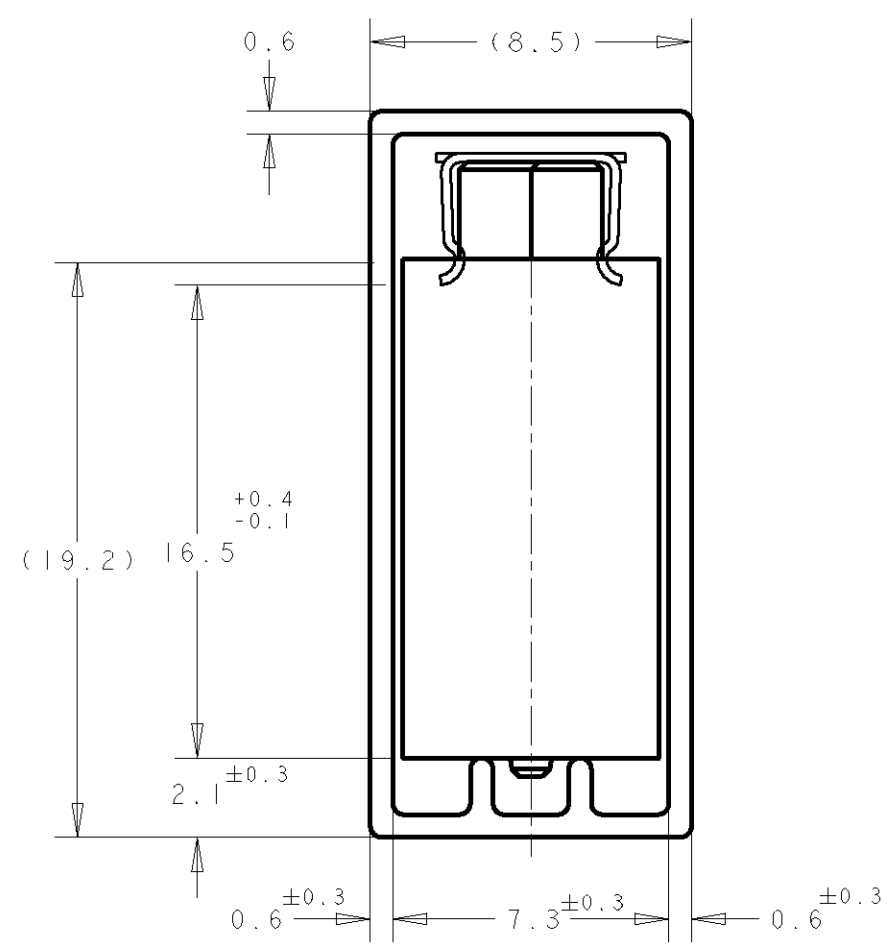
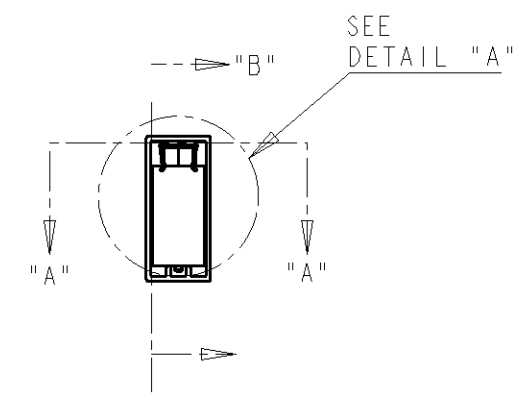
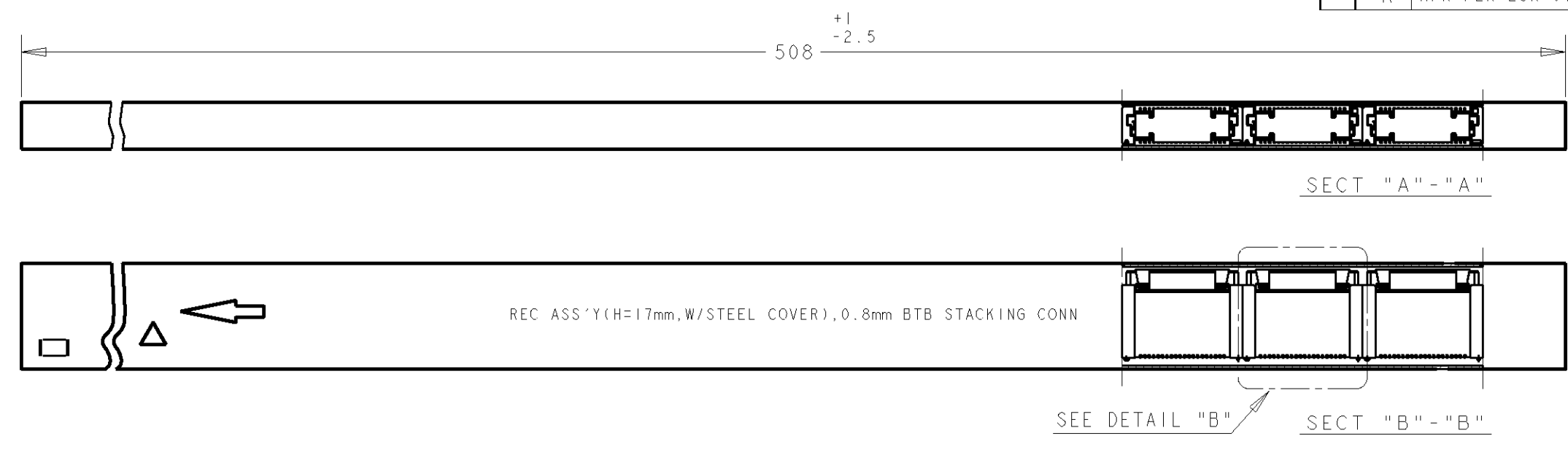
Email & Skype: info@chipsmall.com Web: www.chipsmall.com

Address: A1208, Overseas Decoration Building, #122 Zhenhua RD., Futian, Shenzhen, China



THIS DRAWING IS UNPUBLISHED. RELEASED FOR PUBLICATION .19 .
 © COPYRIGHT 19 BY AMP INCORPORATED. ALL RIGHTS RESERVED.

LOC	DIST	REVISIONS				
P	LTR	DESCRIPTION	DATE	DWN	APVD	
DY	-	A	NPR PER ECR-07-016156	03SEP07	SYJ	LSF



- NOTES:
- MATERIALS:
HOUSING: L.C.P (HIGH TEMP THERMO-PLASTIC)
UL 94V-0, NATURAL.
CONTACT: COPPER ALLOY.
 - FINISH:
ENGAGEMENT AREA: 0.0002 MIN GOLD
SOLDERING AREA: 0.002 MIN MATTE TIN
UNDERCOAT: 0.0013 MIN NICKEL ALL OVER
 - FINISH:
ENGAGEMENT AREA: 0.00076 MIN GOLD
SOLDERING AREA: 0.002 MIN MATTE TIN
UNDERCOAT: 0.0013 MIN NICKEL ALL OVER
 - POSITION SERIES; SEE P/N TABLE ON SHEET 3.
 - CONNECTOR MATED STACKED HEIGHT IS COMBINATION OF PLUG HEIGHT "Y" AND REC HEIGHT "X", LESS 5 mm.
STACKED HEIGHT = Y + X - 5
 - THIS DRAWING 1735481 DESCRIBES CONNECTORS P/N X-1735480-X WITH STEEL COVER IN TUBE PACKAGING. CONNECTOR DIMENSIONS (ON SHEET 2) AND RECOMMENDED P.C. BOARD LAYOUT (ON SHEET 3) ARE REFERENCED FROM DRAWING NO. 1735480.

DETAIL "A"
(SCALE 5-1)

DETAIL "B"
(SCALE 2-1)

THIS DRAWING IS A CONTROLLED DOCUMENT FOR AMP INCORPORATED. IT IS SUBJECT TO CHANGE AND THE CONTROLLING ENGINEERING ORGANIZATION SHOULD BE CONTACTED FOR THE LATEST REVISION.		DWN WYLEE	10JUL07	Tyco Electronics Corporation Singapore	
DIMENSIONS: mm		CHK YJ SEE	APVD SF FONG	NAME RECEPTACLE 17mm HEIGHT FH 0.8mm PITCH B-T-B CONNECTOR WITH STEEL COVER, IN TUBE	
TOLERANCES UNLESS OTHERWISE SPECIFIED: 0 PLC ± 1 PLC ±0.30 2 PLC ±0.25 3 PLC ±0.20 4 PLC ± ANGLES ±3°		PRODUCT SPEC 108-5390	APPLICATION SPEC 114-5254	SIZE A3	CAGE CODE 00779
MATERIAL 1	FINISH 2 3	WEIGHT -	DRAWING NO. 1735481		
CUSTOMER DRAWING			SCALE 1:1	SHEET 1	OF 3 REV A

4

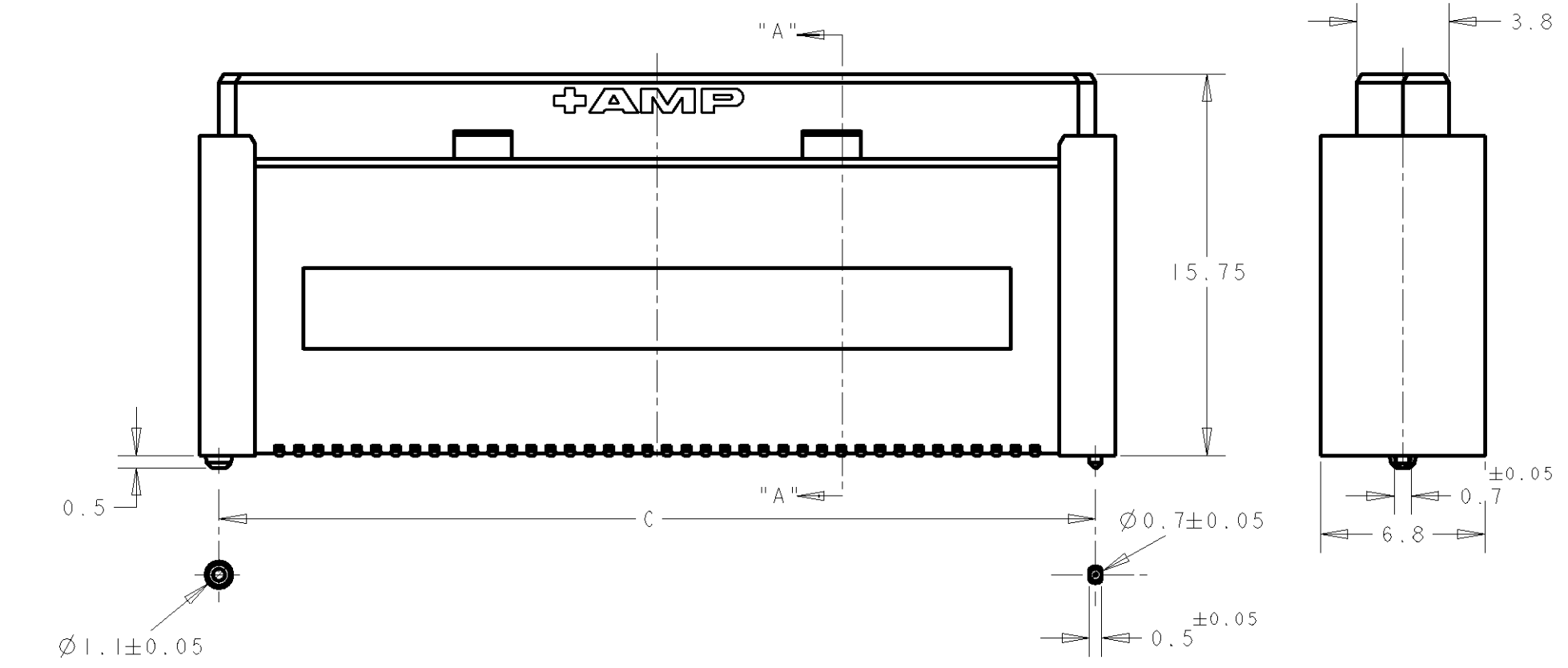
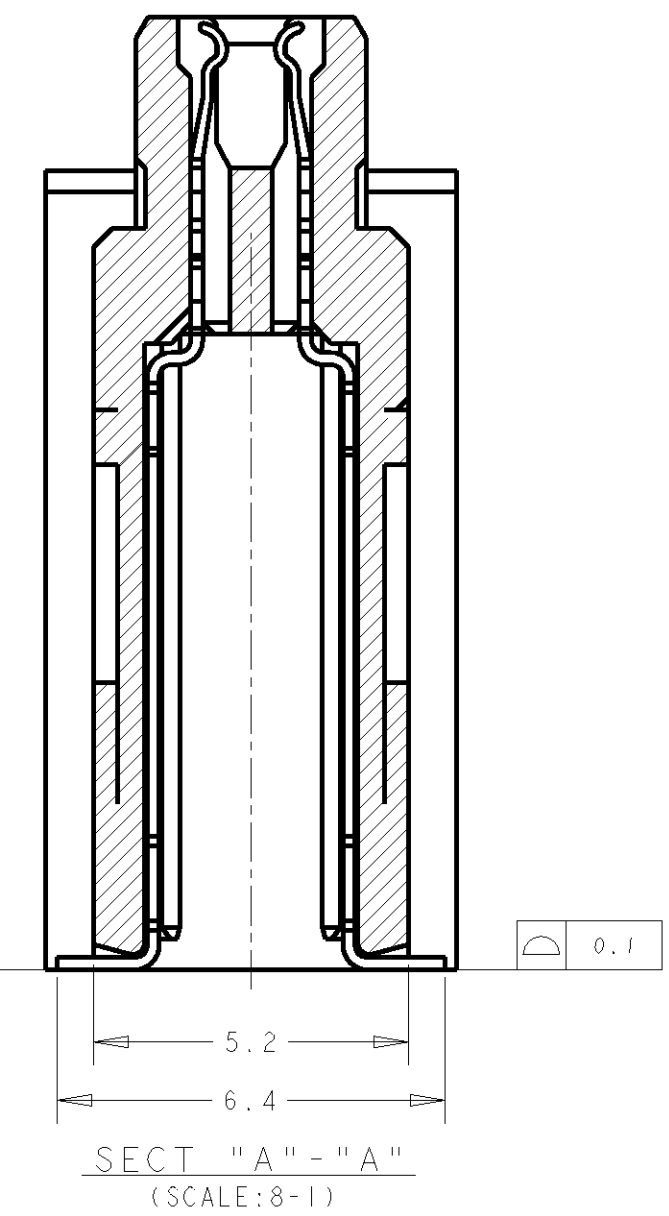
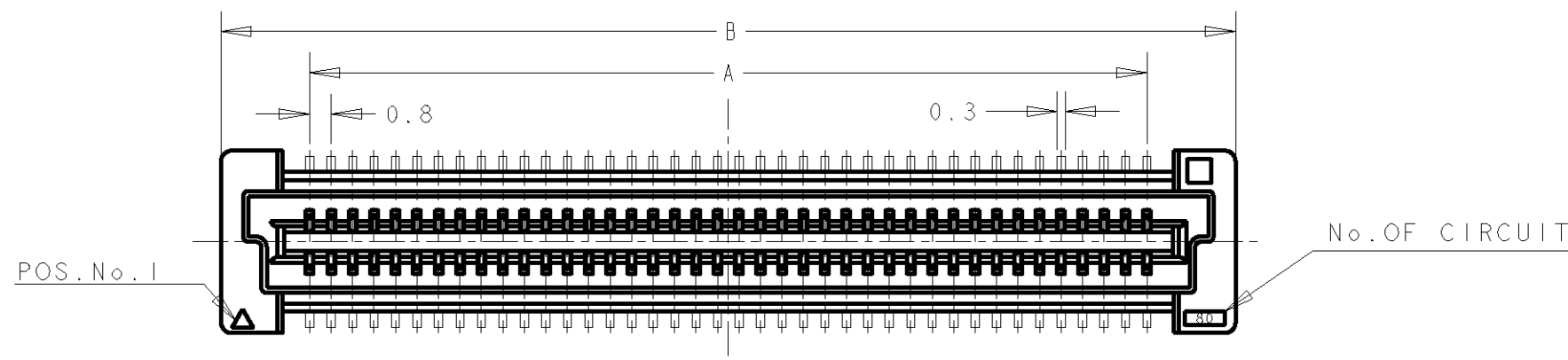
3

2

1

THIS DRAWING IS UNPUBLISHED. RELEASED FOR PUBLICATION .19
 © COPYRIGHT 19 BY AMP INCORPORATED. ALL RIGHTS RESERVED.

LOC	DIST	REVISIONS					
		P	LTR	DESCRIPTION	DATE	DWN	APVD
DY	-						



CONNECTOR DIMENSIONS REFERENCED FROM DRAWING NO. 1735480.

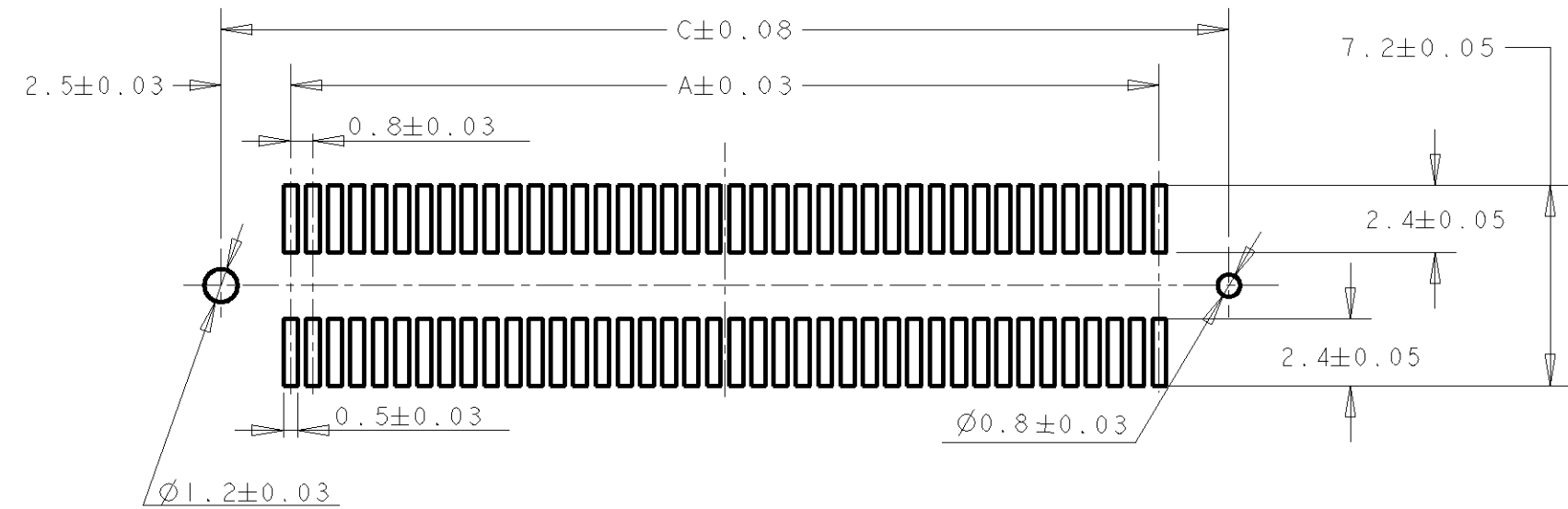
<small>THIS DRAWING IS A CONTROLLED DOCUMENT FOR AMP INCORPORATED. IT IS SUBJECT TO CHANGE AND THE CONTROLLING ENGINEERING ORGANIZATION SHOULD BE CONTACTED FOR THE LATEST REVISION.</small>		DWN 10JUL2007 WYLEE CHK YJ SEE APVD SF IFONG PRODUCT SPEC SEE SHEET 1 APPLICATION SPEC SEE SHEET 1 WEIGHT - CUSTOMER DRAWING	Tyco Electronics Tyco Electronics Corporation Singapore NAME RECEPTACLE 17mm HEIGHT FH 0.8mm PITCH B-T-B CONNECTOR WITH STEEL COVER, IN TUBE SIZE A3 CAGE CODE 00779 DRAWING NO. 1735481 SCALE 4:1 SHEET 2 OF 3 REV A
DIMENSIONS: mm 	TOLERANCES UNLESS OTHERWISE SPECIFIED: 0 PLC ± 1 PLC ±0.30 2 PLC ±0.25 3 PLC ±0.20 4 PLC ± ANGLES ±3° MATERIAL - FINISH -		

PROJ NO. 593-312

A

THIS DRAWING IS UNPUBLISHED. RELEASED FOR PUBLICATION .19 .
 © COPYRIGHT 19 BY AMP INCORPORATED. ALL RIGHTS RESERVED.

LOC	DIST	REVISIONS					
		P	LTR	DESCRIPTION	DATE	DWN	APVD
DY	-						



RECOMMENDED P.C. BOARD LAYOUT
 (REFERENCED FROM DRAWING NO. 1735480.)

CONTACT FINISH	QTY/TUBE	C	B	A	CONN. P/N	POS.	PART NO.
30 u"Au - Sn 3	5	84.20	85.8	79.20	8-1735480-0	200	3-1735481-0
	6	76.20	77.8	71.20	7-1735480-9	180	2-1735481-9
	6	68.20	69.8	63.20	7-1735480-8	160	2-1735481-8
	7	64.20	65.8	59.20	7-1735480-7	150	2-1735481-7
	7	60.20	61.8	55.20	7-1735480-6	140	2-1735481-6
	9	52.20	53.8	47.20	7-1735480-5	120	2-1735481-5
	10	44.20	45.8	39.20	7-1735480-4	100	2-1735481-4
	12	36.20	37.8	31.20	7-1735480-3	80	2-1735481-3
	16	28.20	29.8	23.20	7-1735480-2	60	2-1735481-2
	22	20.20	21.8	15.20	7-1735480-1	40	2-1735481-1
08 u"Au - Sn 2	5	84.20	85.8	79.20	6-1735480-0	200	1-1735481-0
	6	76.20	77.8	71.20	5-1735480-9	180	1735481-9
	6	68.20	69.8	63.20	5-1735480-8	160	1735481-8
	7	64.20	65.8	59.20	5-1735480-7	150	1735481-7
	7	60.20	61.8	55.20	5-1735480-6	140	1735481-6
	9	52.20	53.8	47.20	5-1735480-5	120	1735481-5
	10	44.20	45.8	39.20	5-1735480-4	100	1735481-4
	12	36.20	37.8	31.20	5-1735480-3	80	1735481-3
	16	28.20	29.8	23.20	5-1735480-2	60	1735481-2
	22	20.20	21.8	15.20	5-1735480-1	40	1735481-1

<small>THIS DRAWING IS A CONTROLLED DOCUMENT FOR AMP INCORPORATED. IT IS SUBJECT TO CHANGE AND THE CONTROLLING ENGINEERING ORGANIZATION SHOULD BE CONTACTED FOR THE LATEST REVISION.</small>		DWN 10JUL2007 WYLEE CHK YJ SEE APVD SF J FONG PRODUCT SPEC SEE SHEET 1 APPLICATION SPEC SEE SHEET 1 WEIGHT -	Tyco Electronics Tyco Electronics Corporation Singapore NAME RECEPTACLE 17mm HEIGHT FH 0.8mm PITCH B-T-B CONNECTOR WITH STEEL COVER, IN TUBE SIZE A3 CAGE CODE 00779 DRAWING NO. C-1735481
DIMENSIONS: mm 	TOLERANCES UNLESS OTHERWISE SPECIFIED: 0 PLC ±- 1 PLC ±0.30 2 PLC ±0.25 3 PLC ±0.20 4 PLC ±- ANGLES ±3°	MATERIAL - FINISH - CUSTOMER DRAWING	SCALE 4:1 SHEET 3 OF 3 REV A