



Chipsmall Limited consists of a professional team with an average of over 10 year of expertise in the distribution of electronic components. Based in Hongkong, we have already established firm and mutual-benefit business relationships with customers from,Europe,America and south Asia,supplying obsolete and hard-to-find components to meet their specific needs.

With the principle of “Quality Parts,Customers Priority,Honest Operation,and Considerate Service”,our business mainly focus on the distribution of electronic components. Line cards we deal with include Microchip,ALPS,ROHM,Xilinx,Pulse,ON,Everlight and Freescale. Main products comprise IC,Modules,Potentiometer,IC Socket,Relay,Connector.Our parts cover such applications as commercial,industrial, and automotives areas.

We are looking forward to setting up business relationship with you and hope to provide you with the best service and solution. Let us make a better world for our industry!



## Contact us

Tel: +86-755-8981 8866 Fax: +86-755-8427 6832

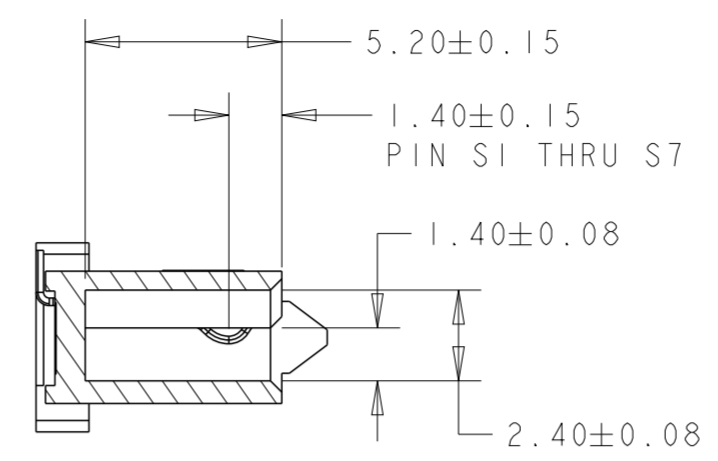
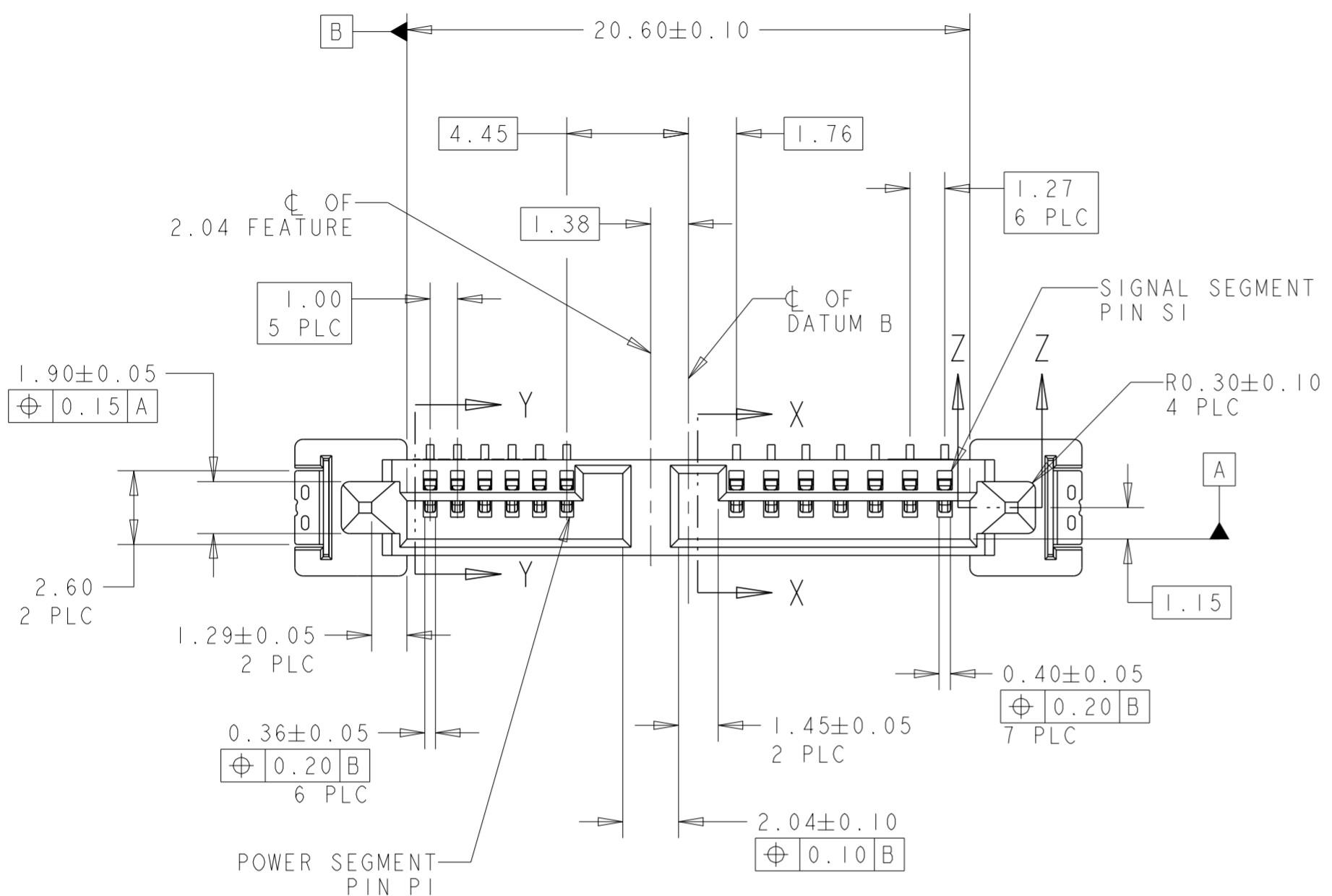
Email & Skype: info@chipsmall.com Web: www.chipsmall.com

Address: A1208, Overseas Decoration Building, #122 Zhenhua RD., Futian, Shenzhen, China

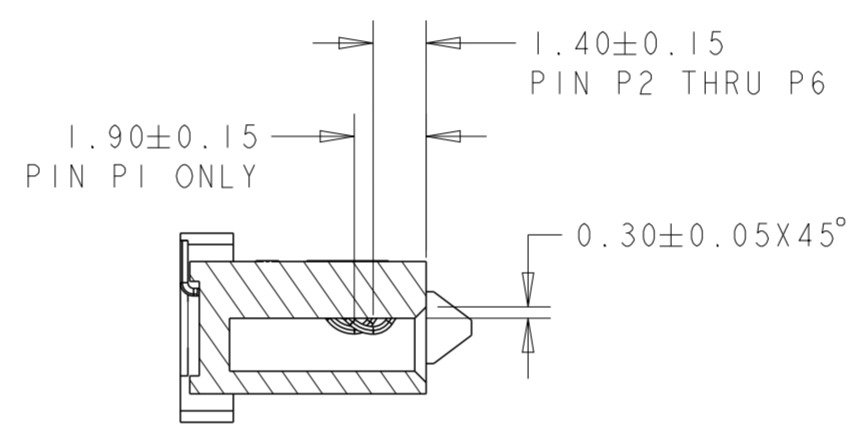


THIS DRAWING IS UNPUBLISHED. RELEASED FOR PUBLICATION 20  
 © COPYRIGHT 20 BY - ALL RIGHTS RESERVED.

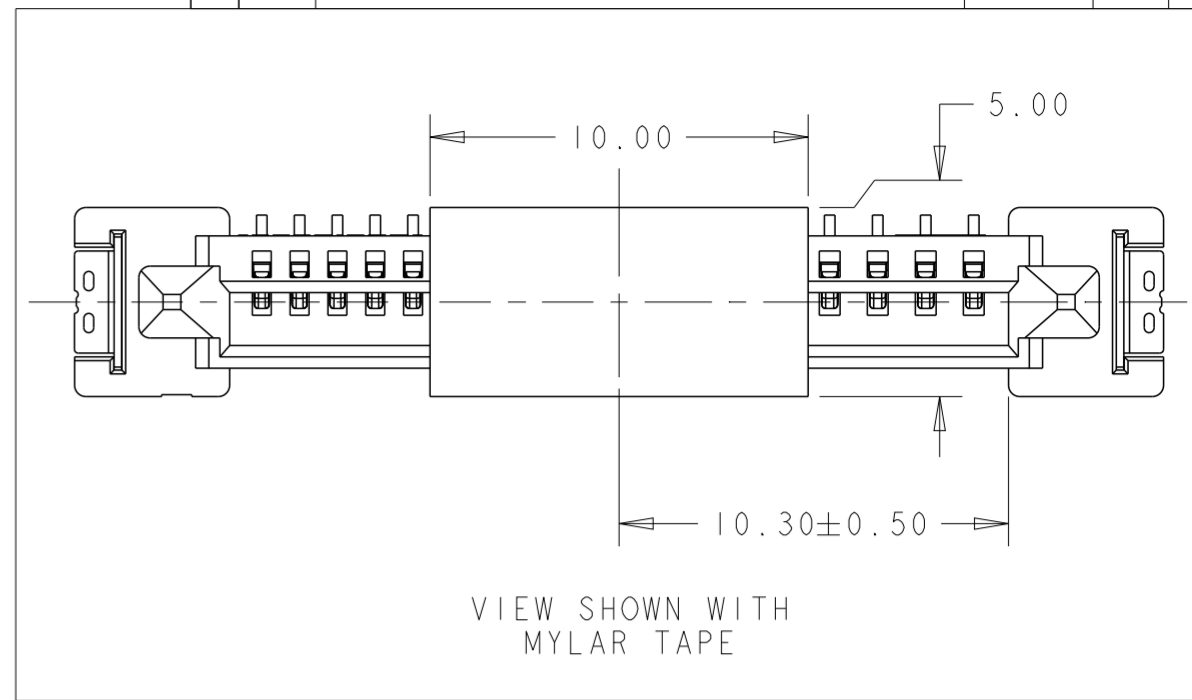
REVISIONS				
P	LTR	DESCRIPTION	DATE	APVD
A4		REVISED (ECR-14-008584)	07MAY2015	E.L V.P



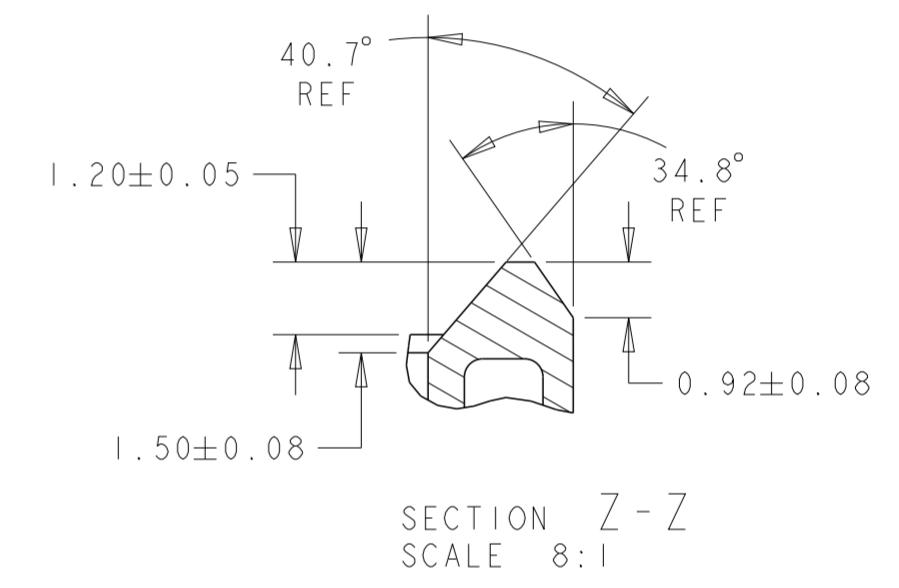
SECTION X-X



SECTION Y-Y



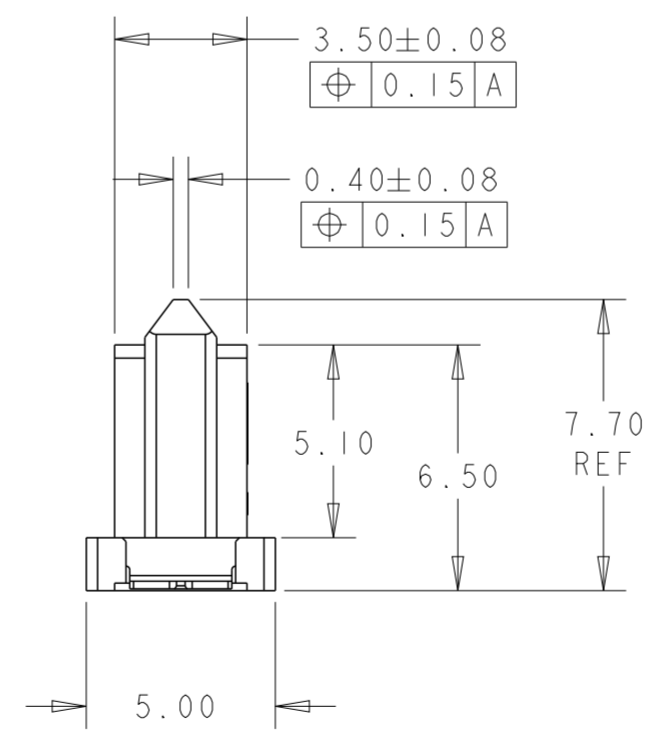
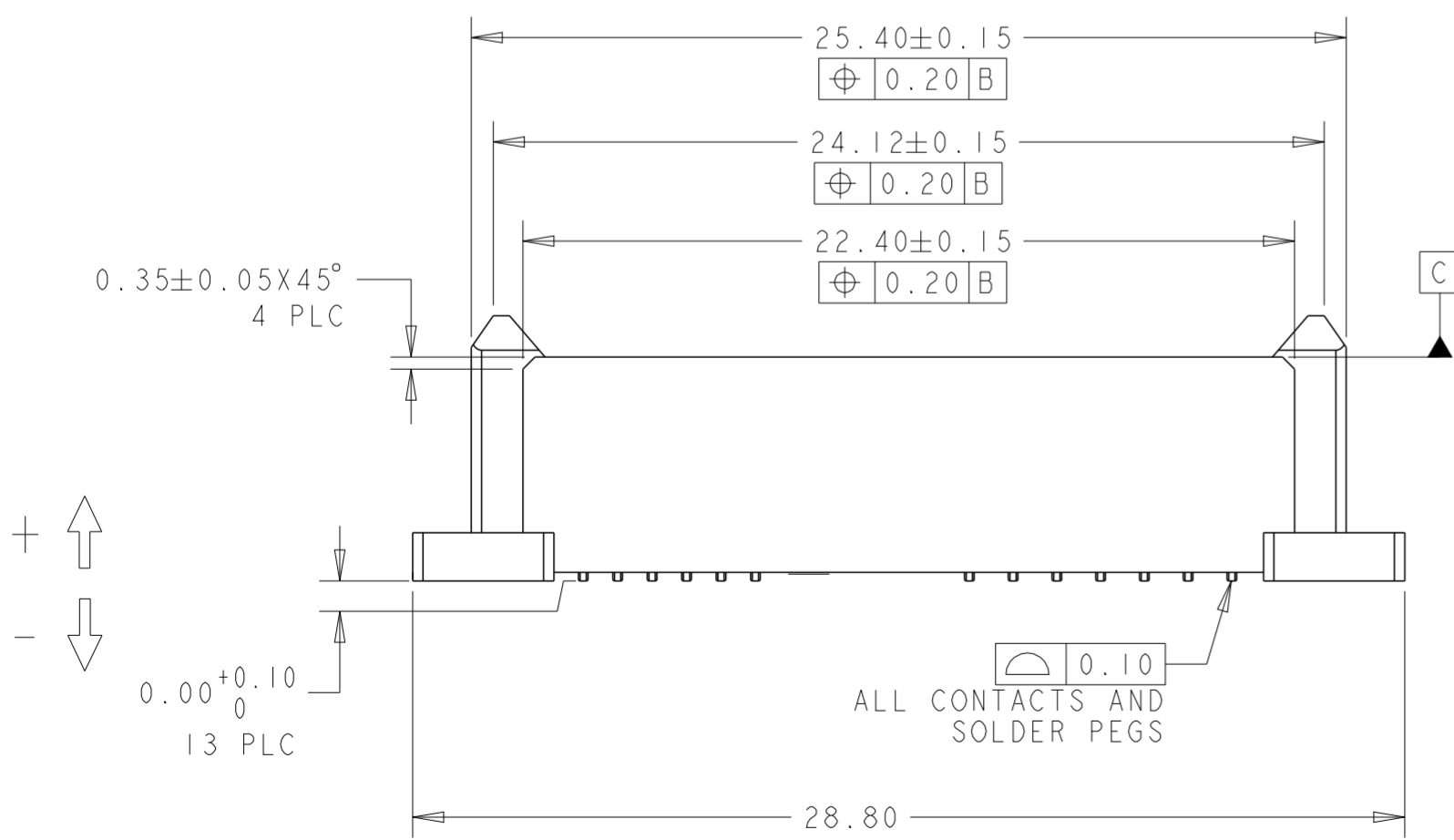
VIEW SHOWN WITH MYLAR TAPE



SECTION Z-Z  
 SCALE 8:1

NOTES:

- 1 MATERIAL:  
 HOUSING: HIGH TEMP THERMOPLASTIC, UL94V-0, COLOR: BLACK  
 CONTACT: COPPER ALLOY  
 SOLDER PEG: COPPER ALLOY
- 2 FINISH:  
 CONTACT MATING AREA: GOLD PLATING OR GOLD FLASH OVER PALLADIUM-NICKEL (SEE TABLE FOR THICKNESS)  
 CONTACT SOLDER TAIL: MIN 2.54um MATTE TIN PLATING  
 SOLDER PEG: MIN 2.54um MATTE TIN PLATING  
 UNDERPLATE: MIN 1.27um NICKEL PLATING ALL OVER
- 3. PACKAGING: TAPE & REEL.  
 QTY: 500PCS/REEL

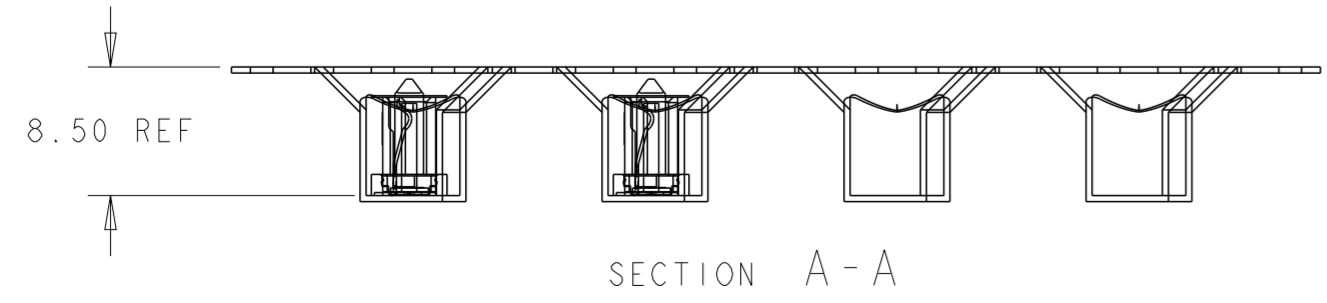
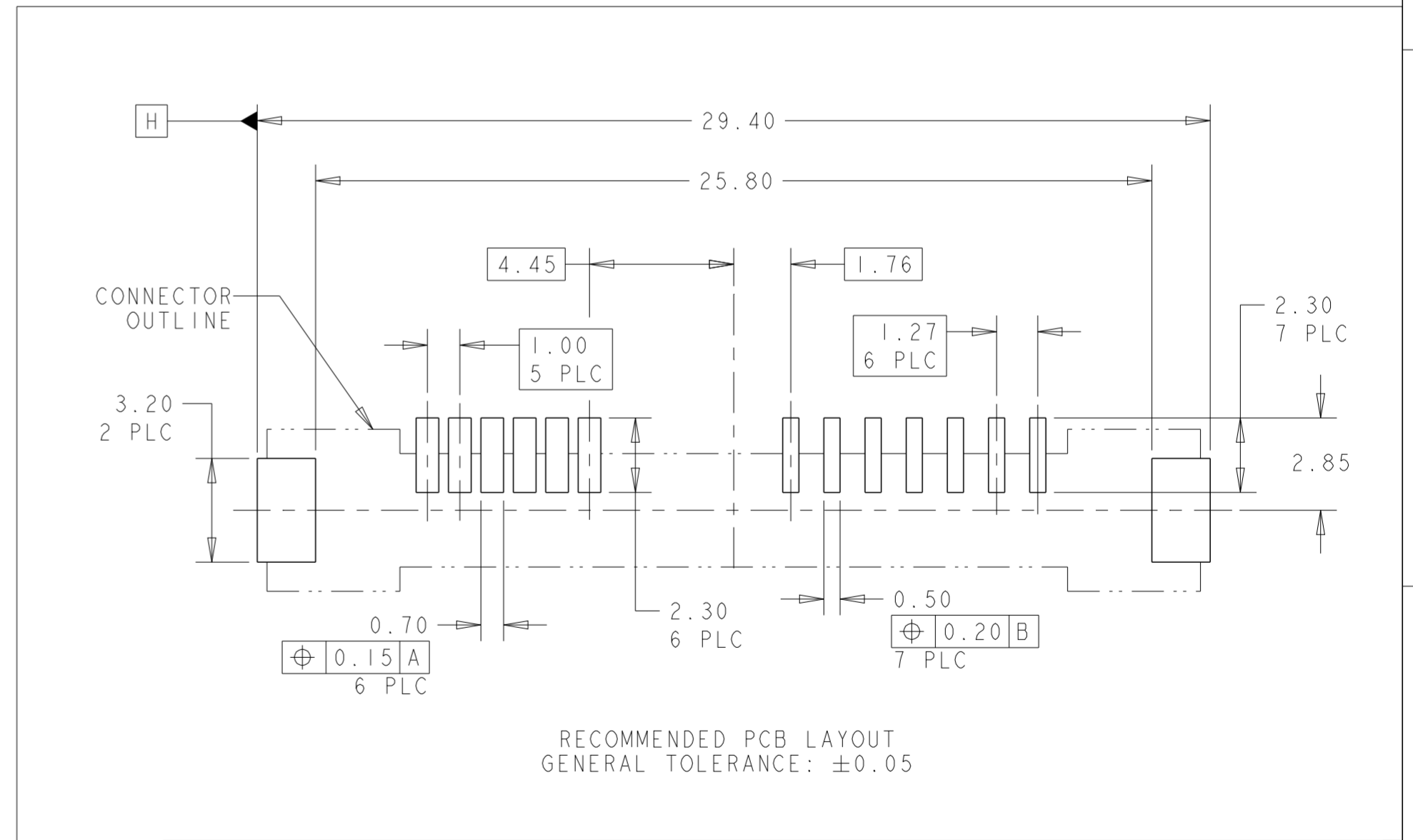
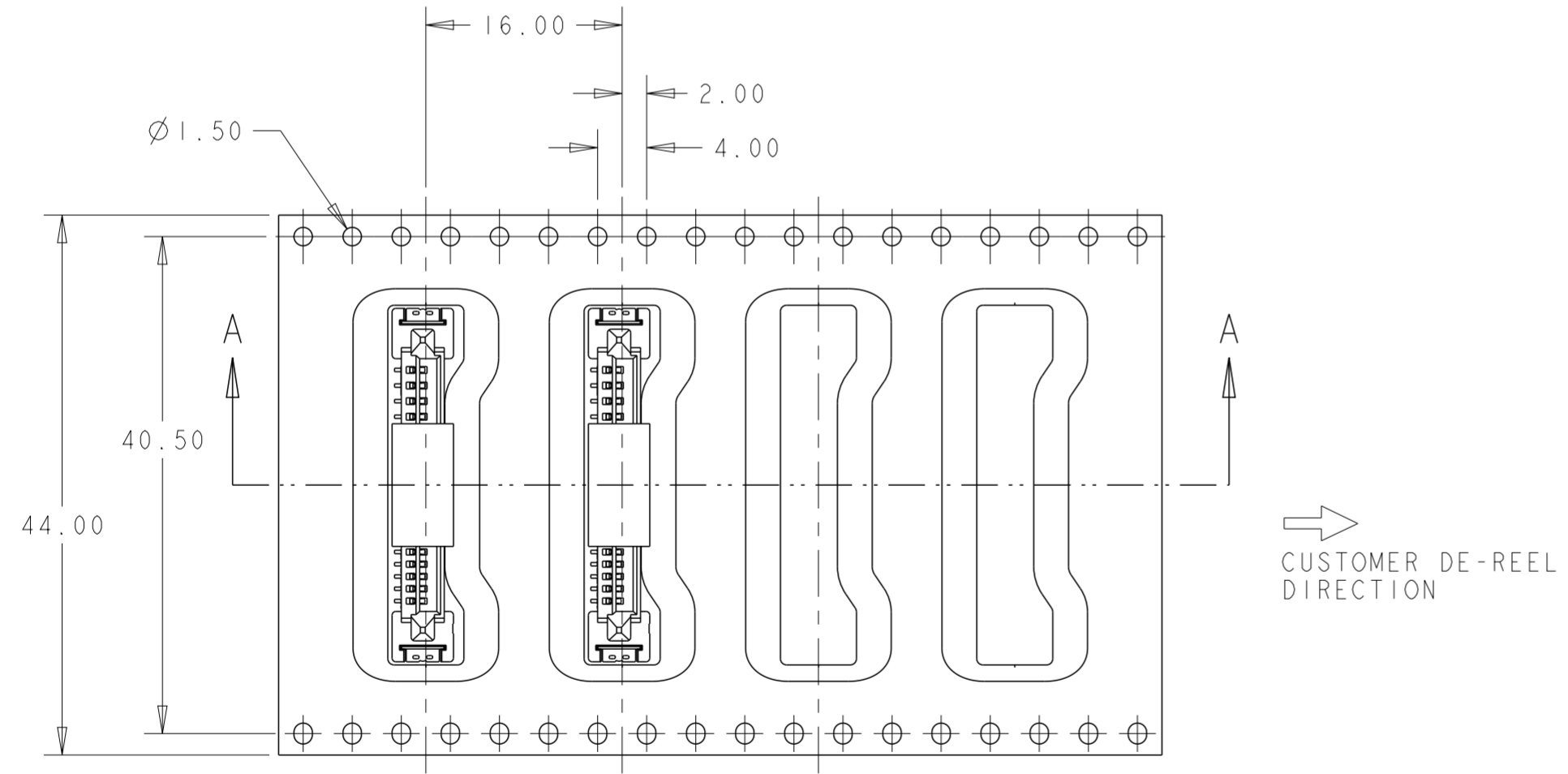
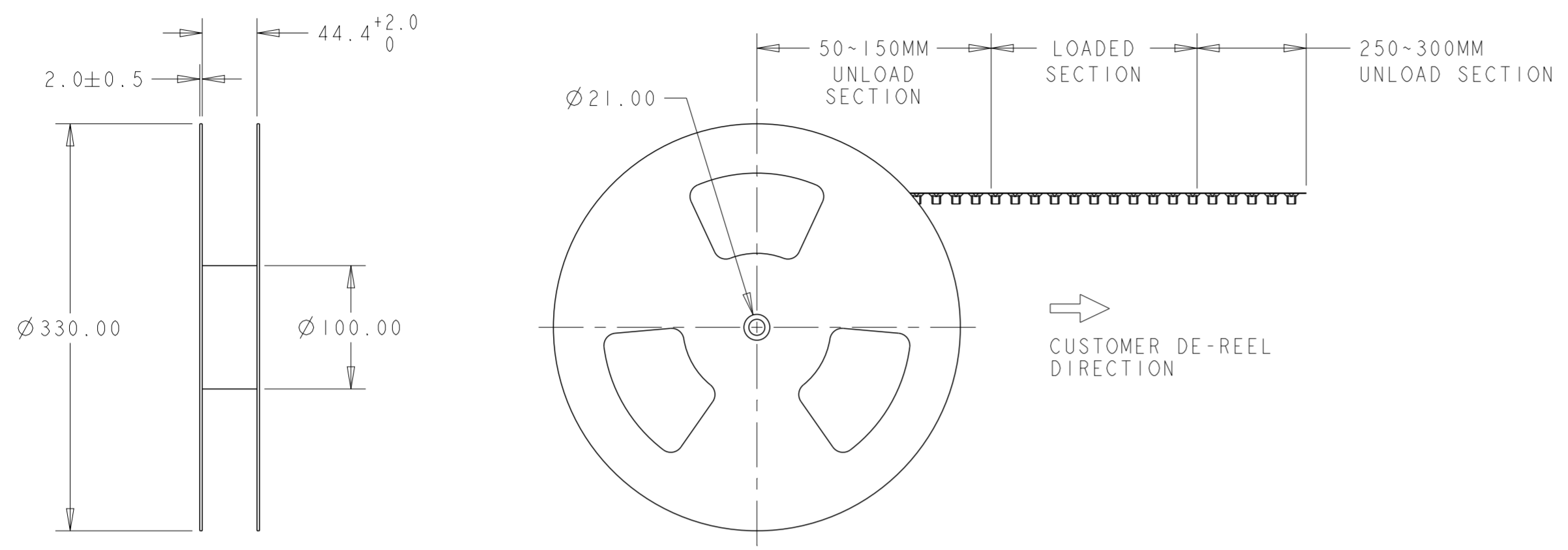


0.76um MIN	1735539-3
0.38um MIN	1735539-2
<del>GOLD FLASH ONLY</del>	<del>1735539-1</del>
AU OR PD-NI THICKNESS	PART NUMBER

THIS DRAWING IS A CONTROLLED DOCUMENT.		DWN SK LEAW 12MAR2008	OBSOLETE	
DIMENSIONS: mm		CHK SF LEONG 12MAR2008	TE Connectivity	
TOLERANCES UNLESS OTHERWISE SPECIFIED:		APVD SF LEONG 12MAR2008	SLIMLINE SATA RECEPTACLE, VERTICAL, SMT, 6.5H	
0 PLC ±	1 PLC ±0.4	PRODUCT SPEC 108-51075	SIZE	RESTRICTED TO
2 PLC ±0.20	3 PLC ±	APPLICATION SPEC	CAGE CODE	
4 PLC ±	ANGLES ±	WEIGHT	DRAWING NO	
FINISH ±3°			A200779	
		CUSTOMER DRAWING	SCALE 5:1	SHEET 1 OF 2
				REV A4

THIS DRAWING IS UNPUBLISHED. RELEASED FOR PUBLICATION 20  
 © COPYRIGHT 20 BY - ALL RIGHTS RESERVED.

REVISIONS				
P	LTR	DESCRIPTION	DATE	APVD
-	-	SEE SHEET 1	-	-



THIS DRAWING IS A CONTROLLED DOCUMENT.		DWN SK LEAW 12MAR2008	<b>STE</b> TE Connectivity	
DIMENSIONS: mm		CHK SF LEONG 12MAR2008		
TOLERANCES UNLESS OTHERWISE SPECIFIED:		APVD SF LEONG 12MAR2008	NAME SLIMLINE SATA RECEPTACLE, VERTICAL, SMT, 6.5H	
0 PLC ±	1 PLC ±0.4	PRODUCT SPEC 108-51075	SIZE A200779	CAGE CODE C-1735539
2 PLC ±0.20	3 PLC ±	APPLICATION SPEC	DRAWING NO	RESTRICTED TO
4 PLC ±	ANGLES ±3°	WEIGHT	SCALE 5:1	SHEET 2 OF 2
MATERIAL	FINISH	CUSTOMER DRAWING	REV A4	