



Chipsmall Limited consists of a professional team with an average of over 10 year of expertise in the distribution of electronic components. Based in Hongkong, we have already established firm and mutual-benefit business relationships with customers from,Europe,America and south Asia,supplying obsolete and hard-to-find components to meet their specific needs.

With the principle of “Quality Parts,Customers Priority,Honest Operation,and Considerate Service”,our business mainly focus on the distribution of electronic components. Line cards we deal with include Microchip,ALPS,ROHM,Xilinx,Pulse,ON,Everlight and Freescale. Main products comprise IC,Modules,Potentiometer,IC Socket,Relay,Connector.Our parts cover such applications as commercial,industrial, and automotives areas.

We are looking forward to setting up business relationship with you and hope to provide you with the best service and solution. Let us make a better world for our industry!



Contact us

Tel: +86-755-8981 8866 Fax: +86-755-8427 6832

Email & Skype: info@chipsmall.com Web: www.chipsmall.com

Address: A1208, Overseas Decoration Building, #122 Zhenhua RD., Futian, Shenzhen, China

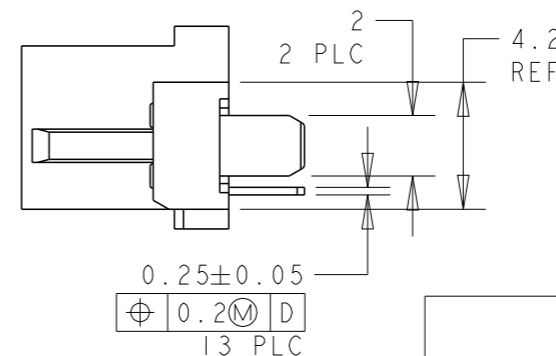
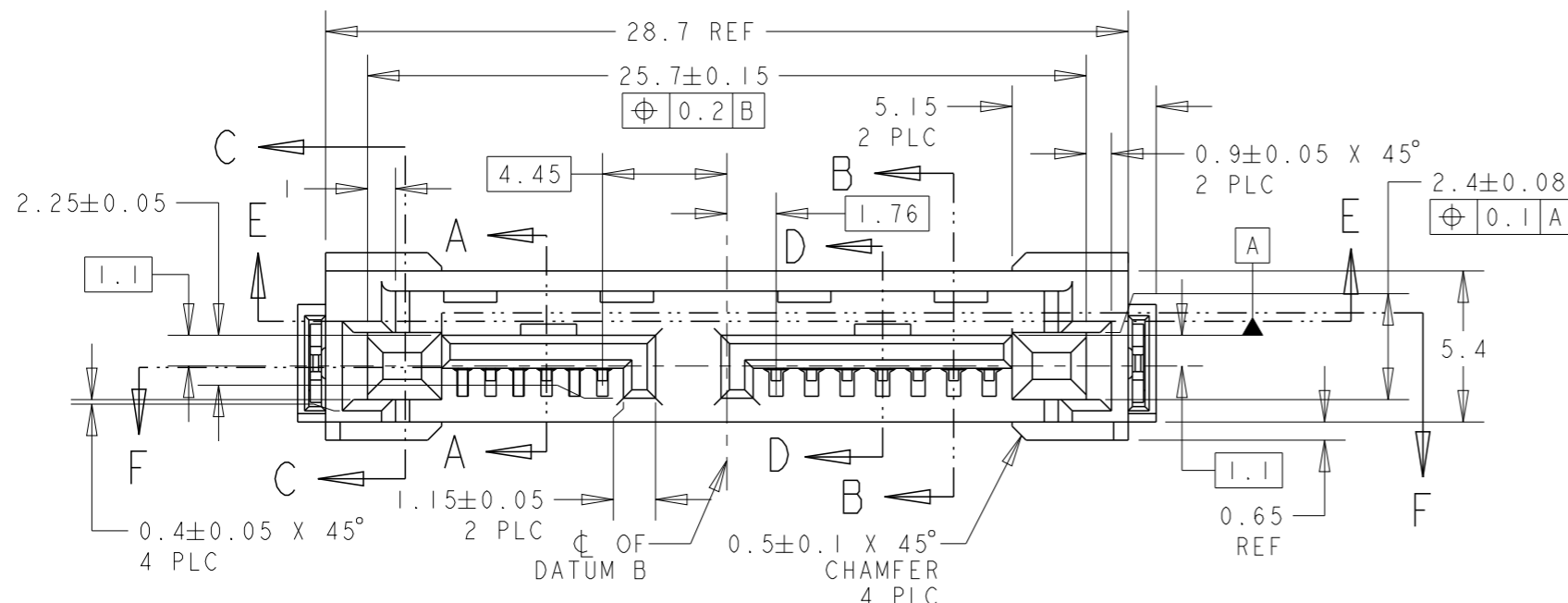
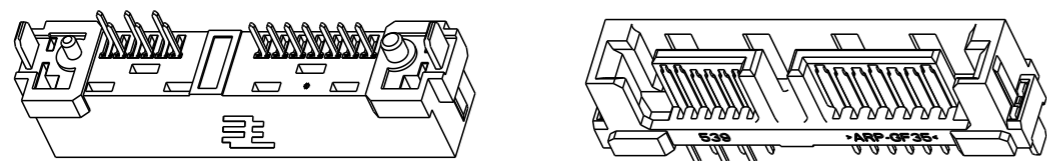


LOC
DY

DIST
-

REVISIONS

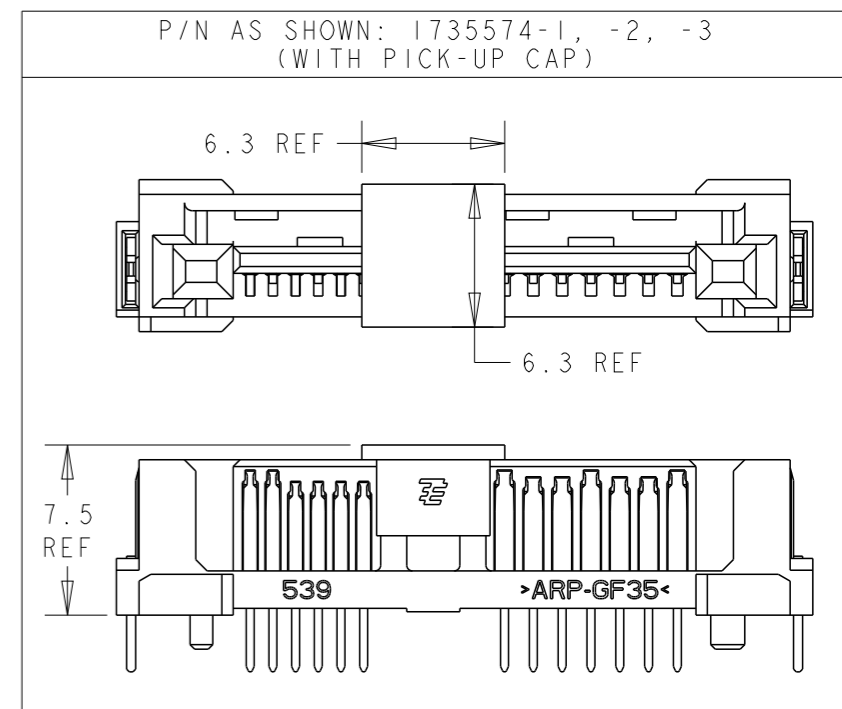
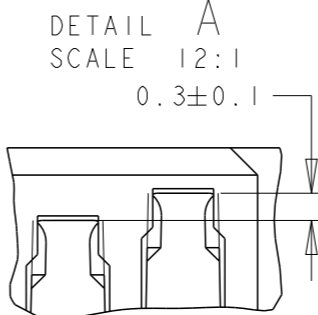
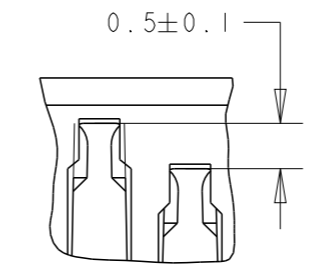
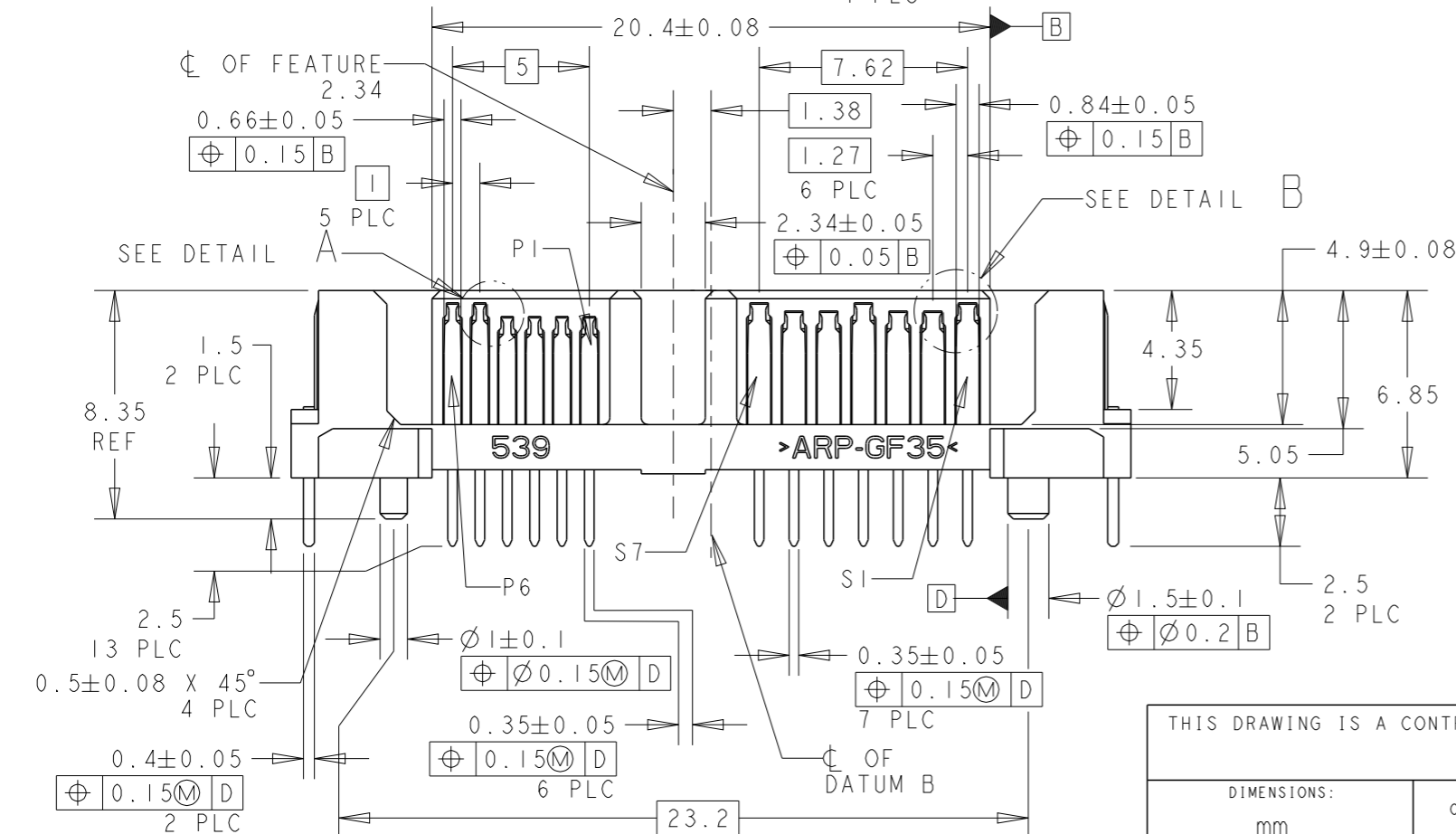
P	LTR	DESCRIPTION	DATE	DWN	APVD
A3		REVISED (ECR-13-001920)	02JUL2013	B.W	H.K




NOTES:

1 MATERIAL:
HOUSING: HIGH TEMP THERMOPLASTIC, UL94 V-0, BLACK
CONTACT: COPPER ALLOY
SOLDER PEG: COPPER ALLOY

2 FINISH:
CONTACT: "A" MIN GOLD PLATING AT MATING SIDE AND 0.05µm MIN GOLD PLATING AT SOLDER TAIL, WITH 1.27µm MIN NICKEL UNDERPLATING ALL OVER
SOLDER PEG: 2.54µm MIN TIN PLATING AT SOLDERING SURFACE WITH 1.27µm MIN NICKEL UNDERPLATING ALL OVER

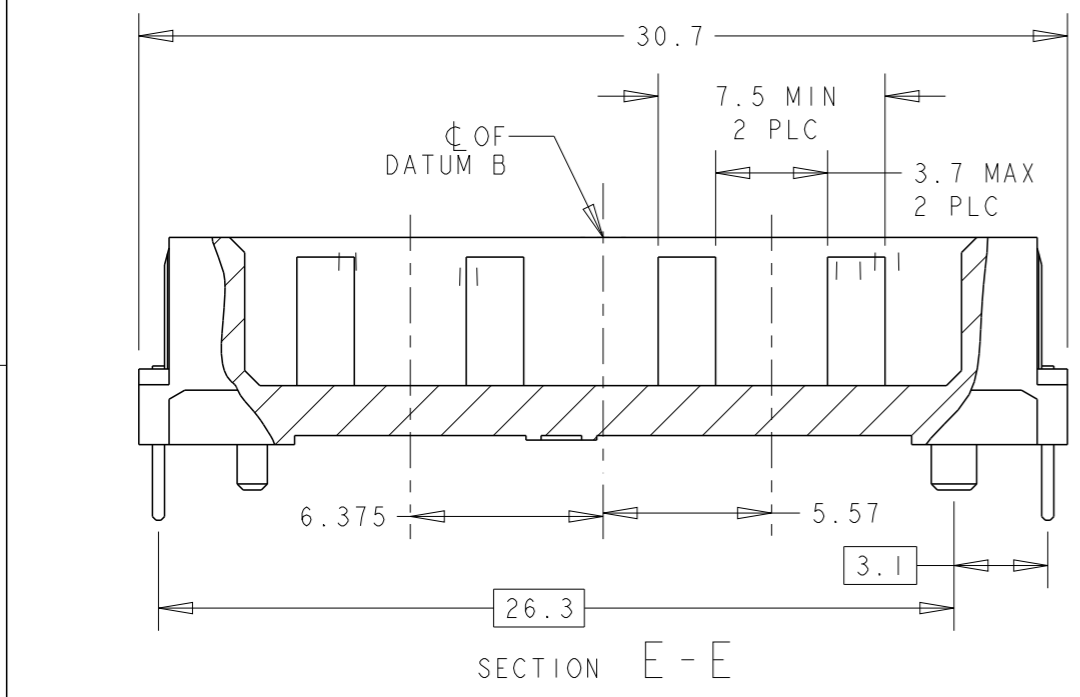
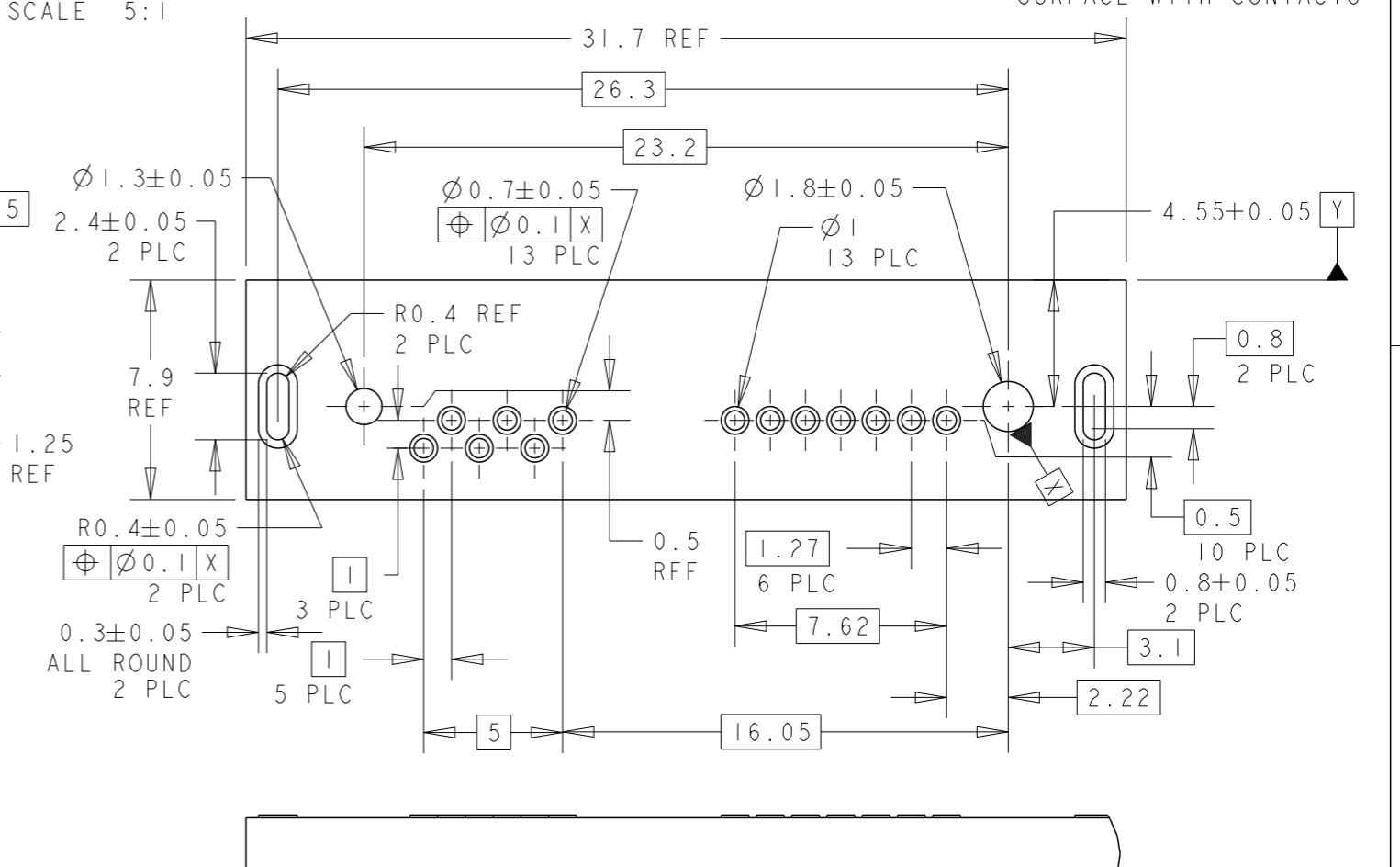
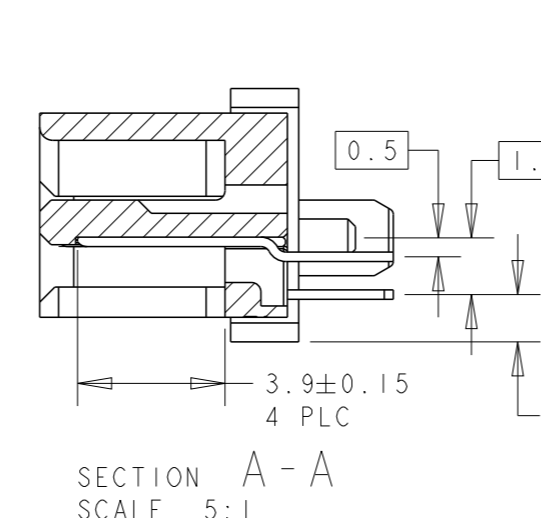
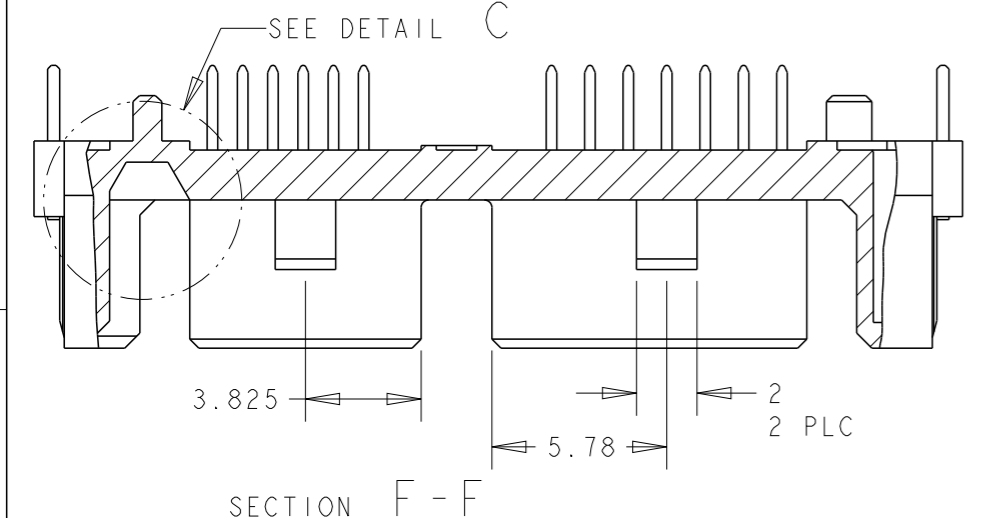
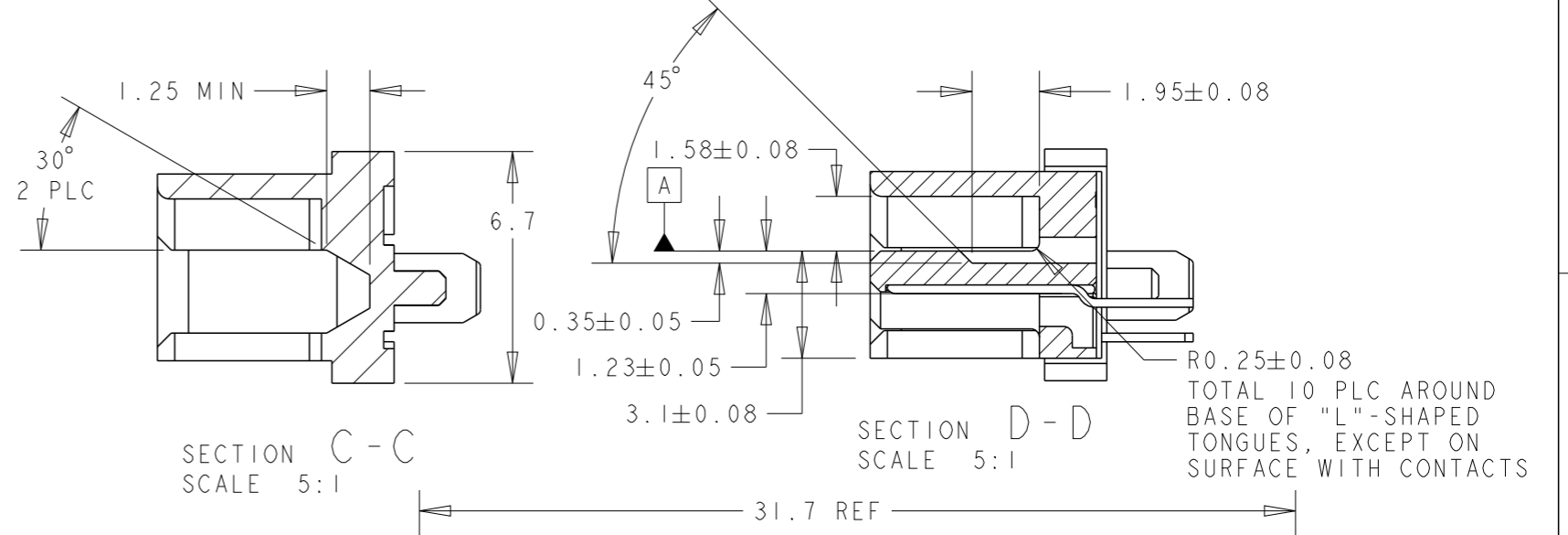
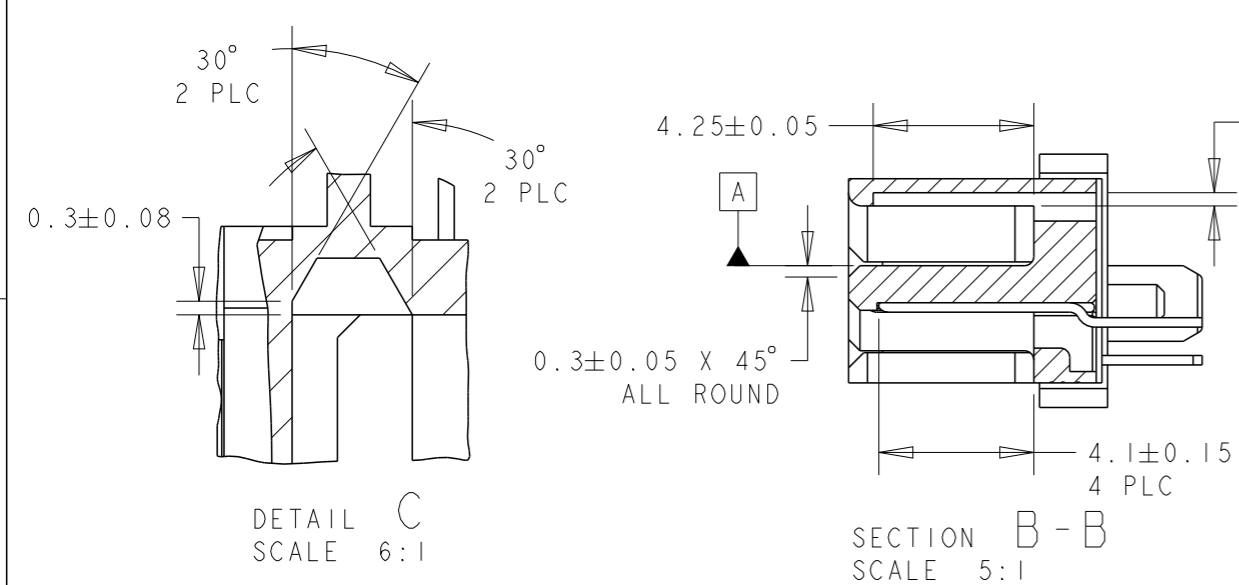



	0.76µm	1735574-3
	0.38µm	1735574-2
OBSOLETE	0.05µm	1735574-1
	"A"	PART NO.

THIS DRAWING IS A CONTROLLED DOCUMENT.		DWN KW YAP 12MAY2008	 TE Connectivity		
DIMENSIONS: mm		CHK SF LEONG 02JUL2013			
TOLERANCES UNLESS OTHERWISE SPECIFIED:		APVD SF LEONG 02JUL2013	NAME -		
0 PLC ±0.2 1 PLC ±0.2 2 PLC ±0.2 3 PLC ±0.2 4 PLC ±0.2 ANGLES ±° FINISH 2		PRODUCT SPEC -	ASSEMBLY SLIMLINE SATA PLUG 7P+6P VERTICAL, THRU-HOLE		
MATERIAL 1		APPLICATION SPEC -	SIZE A3	CAGE CODE 00779	DRAWING NO 1735574
		WEIGHT -	RESTRICTED TO -		
		CUSTOMER DRAWING	SCALE 4:1	SHEET 1	OF 3
			REV A3		

THIS DRAWING IS UNPUBLISHED.
 RELEASED FOR PUBLICATION
 20
 ALL RIGHTS RESERVED.

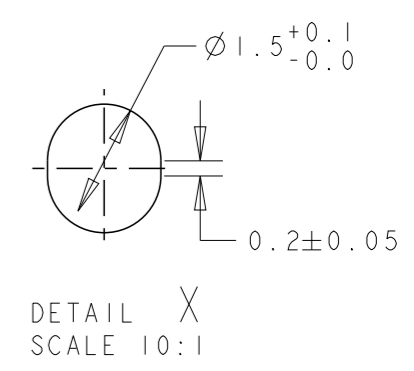
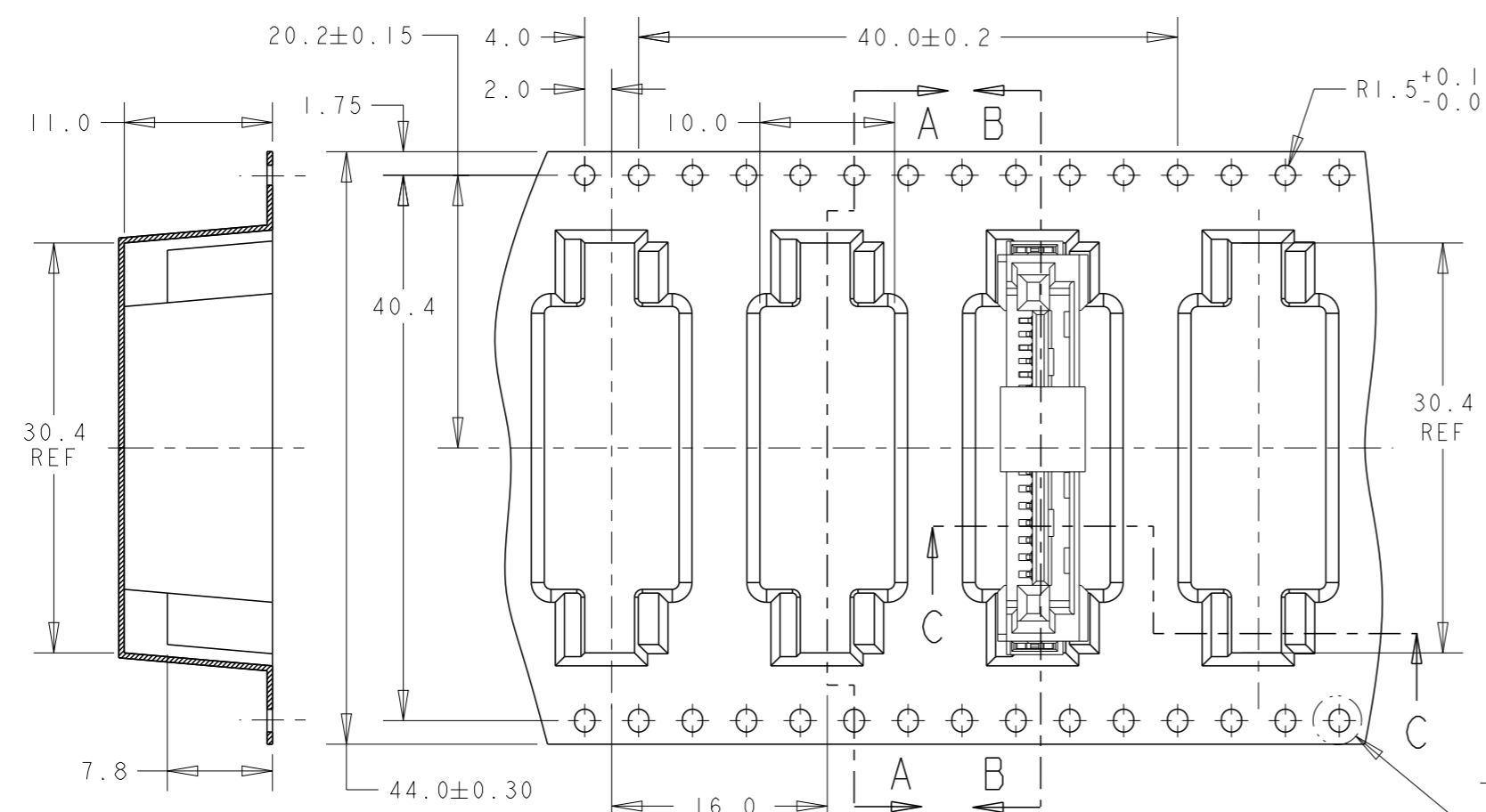
LOC	DIST	REVISIONS			
P	LTR	DESCRIPTION	DATE	DWN	APVD
DY	-	SEE SHEET 1			



THIS DRAWING IS A CONTROLLED DOCUMENT.		DWN KW YAP 12MAY2008	 TE Connectivity	
DIMENSIONS: mm		CHK SF LEONG 02JUL2013		
TOLERANCES UNLESS OTHERWISE SPECIFIED:		APVD SF LEONG 02JUL2013	NAME -	
0 PLC ±0.2 1 PLC ±0.2 2 PLC ±0.2 3 PLC ±0.2 4 PLC ±0.2 ANGLES ±°		PRODUCT SPEC -	ASSEMBLY SLIMLINE SATA PLUG 7P+6P VERTICAL, THRU-HOLE	
MATERIAL 1		FINISH 2	APPLICATION SPEC -	RESTRICTED TO -
WEIGHT -		SIZE A3	CAGE CODE 00779	DRAWING NO C-1735574
CUSTOMER DRAWING		SCALE 4:1	SHEET 2	OF 3 REV A3

THIS DRAWING IS UNPUBLISHED. RELEASED FOR PUBLICATION 20
 © COPYRIGHT 20 BY - ALL RIGHTS RESERVED.

LOC	DIST	REVISIONS					
DY	-	P	LTR	DESCRIPTION	DATE	DWN	APVD
				SEE SHEET 1			

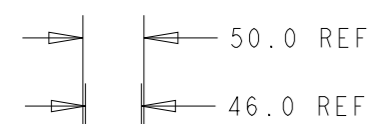
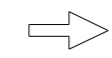


SECTION B-B
(WITH & W/O PART)

0.50±0.05
(BEFORE FORMING)

SEE DETAIL X

CUSTOMER DE-REEL DIRECTION



WIND COVER TAPE
AROUND OUTER
PERIPHERY 1 TURN

SECTION C-C

LEADER LENGTH
450mm
(W/O CHARGE)


WITH PRODUCT CHARGE

TRAILER LENGTH
400mm
(W/O CHARGE)

NOTES:

- ALL DIMENSIONS IN MM UNLESS OTHERWISE STATED
- MATERIAL: PS CLEAR, 0.5±0.05mm THICKNESS (BEFORE FORMING)
- DELIVER IN PLASTIC REEL: 375 POCKETS/REEL (300 COMPONENTS/REEL)

PEELING STRENGTH: 0.2N TO 0.7N
 PEELING ANGLE: 165° TO 180°
 PEELING SPEED: 300mm/MINUTE

THIS DRAWING IS A CONTROLLED DOCUMENT.		DWN	KW YAP		12MAY2008	 TE Connectivity		
DIMENSIONS: mm		CHK	SF LEONG		02JUL2013			
TOLERANCES UNLESS OTHERWISE SPECIFIED:		APVD	SF LEONG		02JUL2013			
0 PLC ±0.2 1 PLC ±0.2 2 PLC ±0.2 3 PLC ±0.2 4 PLC ±- ANGLES ±2°		PRODUCT SPEC	-		NAME		-	
MATERIAL		2		FINISH	-	APPLICATION SPEC	-	
CUSTOMER DRAWING		WEIGHT	-		SIZE	A3	CAGE CODE	00779
		SCALE		4:1		DRAWING NO	C=1735574	
		SHEET		3 OF 3		RESTRICTED TO	-	
		REV		A3				