



Chipsmall Limited consists of a professional team with an average of over 10 year of expertise in the distribution of electronic components. Based in Hongkong, we have already established firm and mutual-benefit business relationships with customers from,Europe,America and south Asia,supplying obsolete and hard-to-find components to meet their specific needs.

With the principle of "Quality Parts,Customers Priority,Honest Operation,and Considerate Service",our business mainly focus on the distribution of electronic components. Line cards we deal with include Microchip,ALPS,ROHM,Xilinx,Pulse,ON,Everlight and Freescale. Main products comprise IC,Modules,Potentiometer,IC Socket,Relay,Connector.Our parts cover such applications as commercial,industrial, and automotives areas.

We are looking forward to setting up business relationship with you and hope to provide you with the best service and solution. Let us make a better world for our industry!



Contact us

Tel: +86-755-8981 8866 Fax: +86-755-8427 6832

Email & Skype: info@chipsmall.com Web: www.chipsmall.com

Address: A1208, Overseas Decoration Building, #122 Zhenhua RD., Futian, Shenzhen, China



THIS DRAWING IS UNPUBLISHED. RELEASED FOR PUBLICATION .19

© COPYRIGHT 19 BY AMP INCORPORATED. ALL RIGHTS RESERVED.

LOC
DY

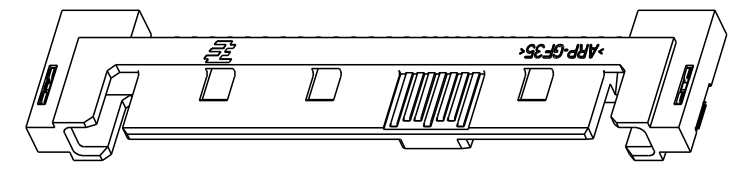
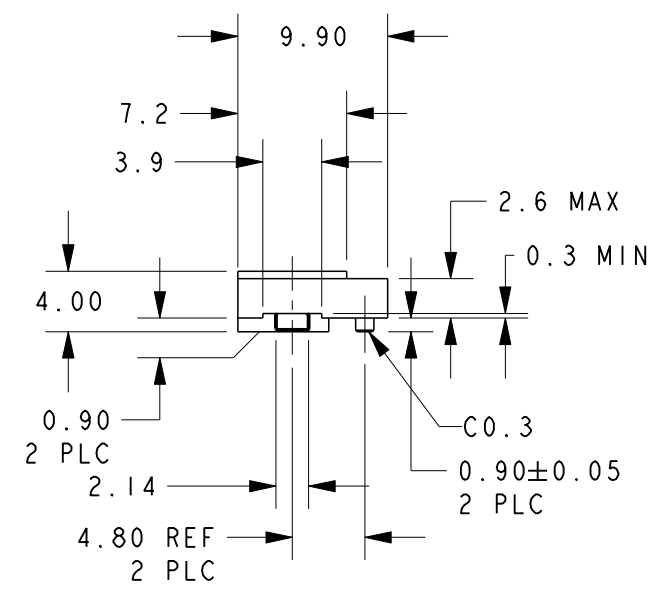
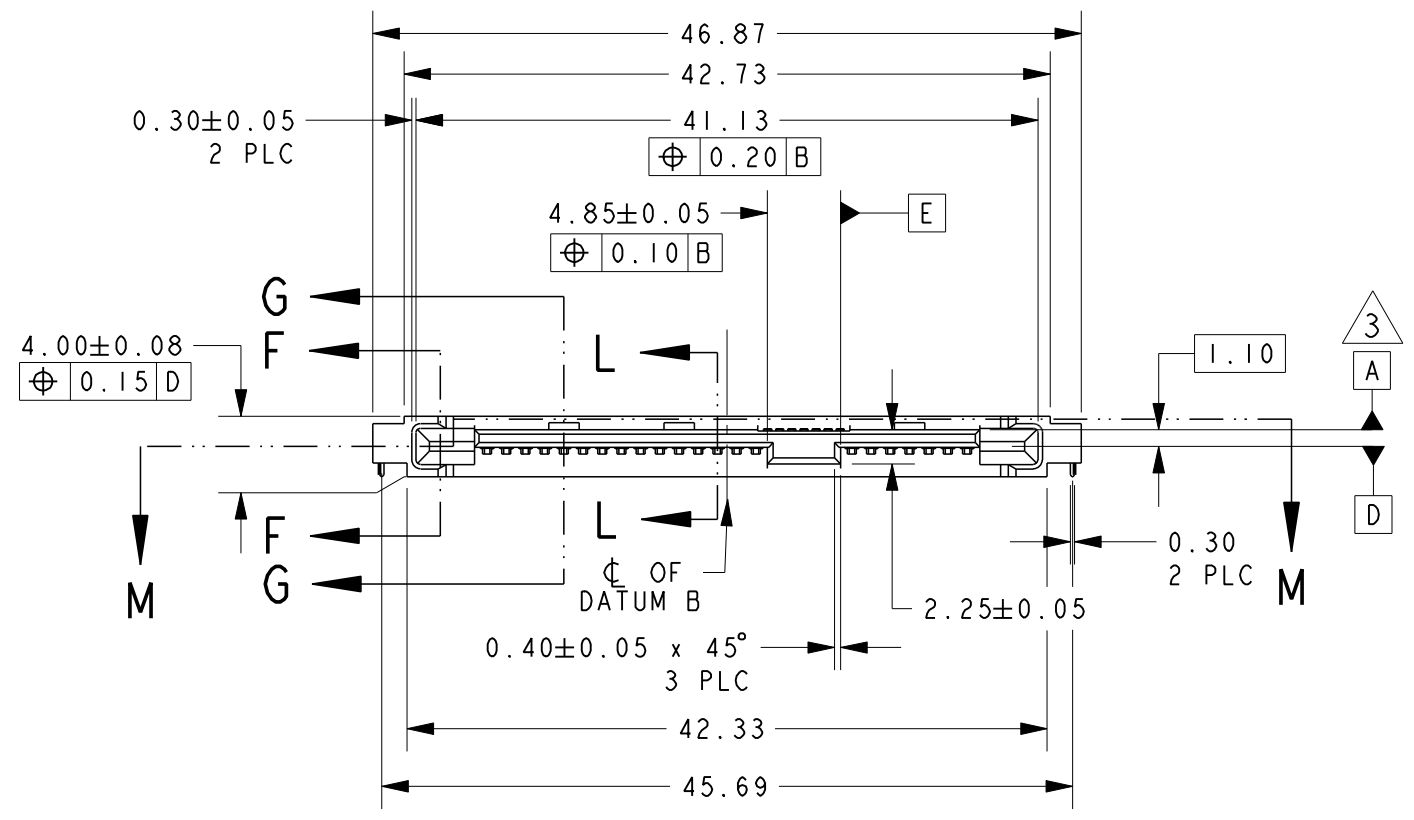
DIST
-

REVISIONS

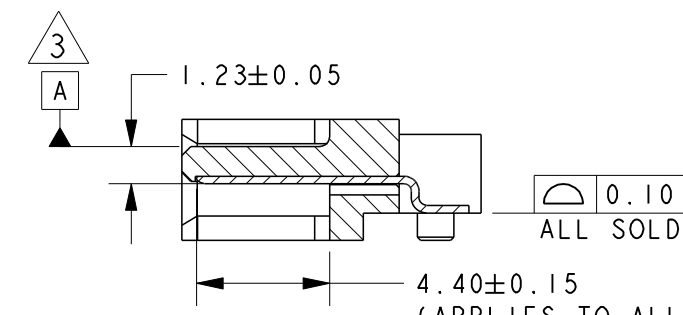
P	LTR	DESCRIPTION	DATE	DWN	APVD
B2		REVISED ECR-10-010315	08FEB2011	JC	LSF

NOTES:

- 1 MATERIAL
HOUSING: HIGH TEMPERATURE THERMOPLASTICS, GLASS FILLED, BLACK, UL94V-0, REGRIND 25% MAXIMUM
CONTACT: COPPER ALLOY
SOLDER PEG: COPPER ALLOY
- 2 FINISH
CONTACT: 0.76um MIN GOLD ON MATING AREA AND 1.91um MIN MATTE TIN (LEAD-FREE) ON SOLDER AREA
BOTH OVER 1.27um MIN NICKEL ENTIRE
SOLDER PEG: 2.54um MIN TIN (LEAD-FREE) OVER 1.27um MIN NICKEL ENTIRE
- 3 DATUM A IS DEFINED AS TOP SURFACE OF HOUSING

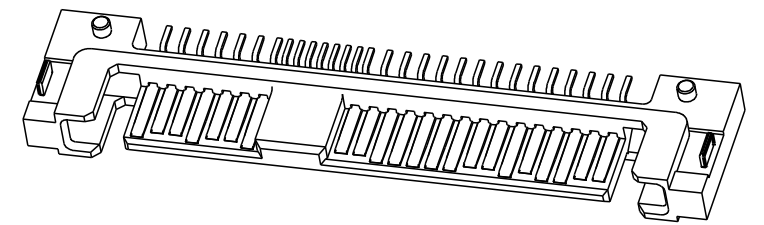


ISOMETRIC VIEW SCALE 2:1

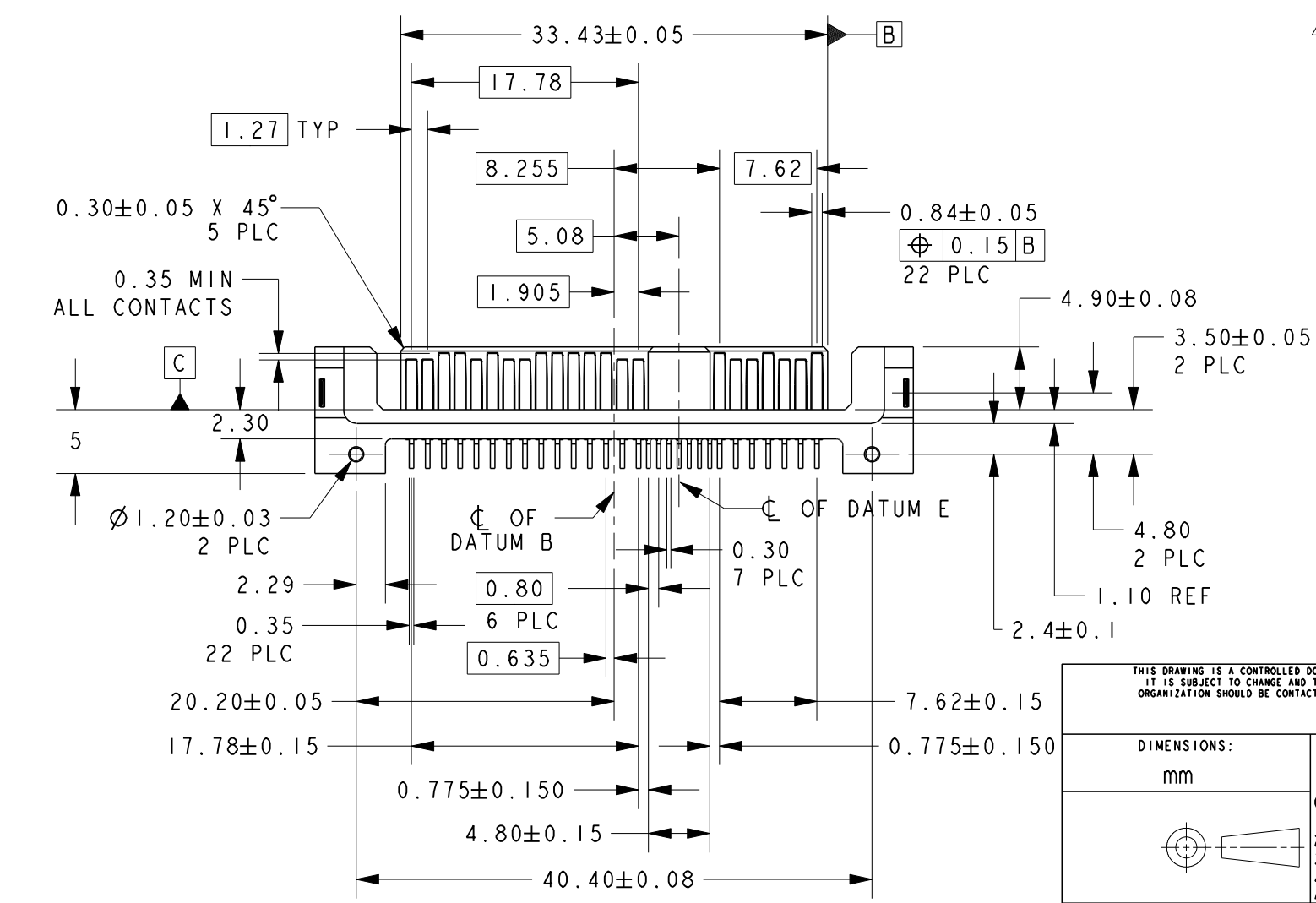


SECTION L-L SCALE 4:1

ALL SOLDER TAILS



ISOMETRIC VIEW SCALE 2:1



THIS DRAWING IS A CONTROLLED DOCUMENT FOR AMP INCORPORATED. IT IS SUBJECT TO CHANGE AND THE CONTROLLING ENGINEERING ORGANIZATION SHOULD BE CONTACTED FOR THE LATEST REVISION.

DIMENSIONS:	TOLERANCES UNLESS OTHERWISE SPECIFIED:
mm	
	±
	±0.15
	±0.15
	±0.15
	±
ANGLES	±2°
MATERIAL	FINISH
1	2

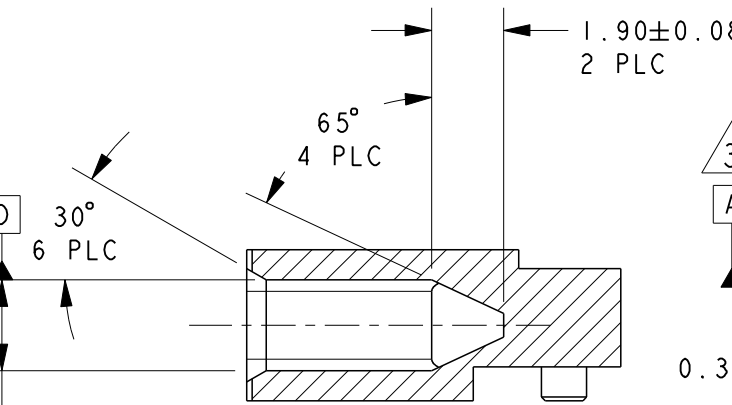
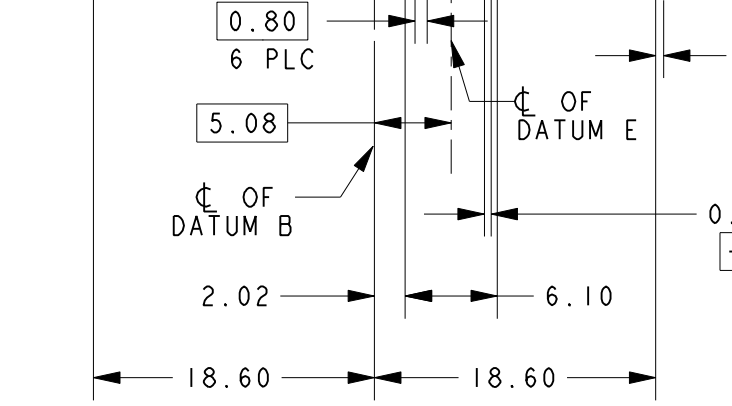
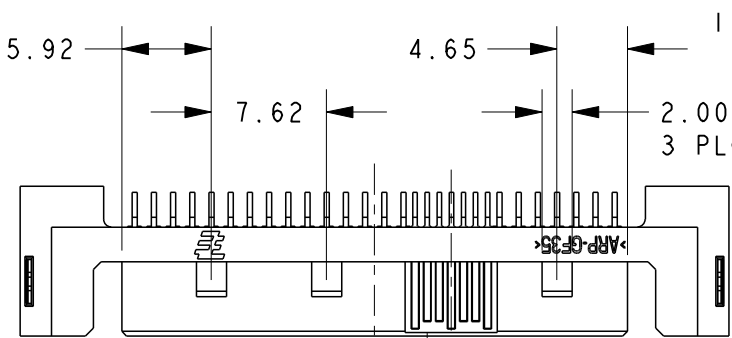
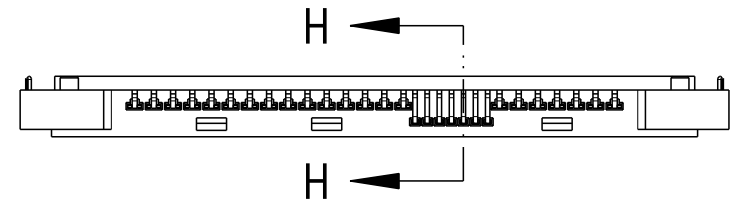
DWN	WYLEE	18DEC07
CHK	JASON CHOW	
APVD	SF LEONG	
PRODUCT SPEC	108-51053	
APPLICATION SPEC	-	
WEIGHT	1.53g	
CUSTOMER DRAWING		

		Tyco Electronics Corporation Singapore	
NAME SAS PLUG, SMT, 15+7+7P			
SIZE	CAGE CODE	DRAWING NO	
A3	00779	C-1735610	
SCALE 2:1		SHEET 1 OF 2	REV B2

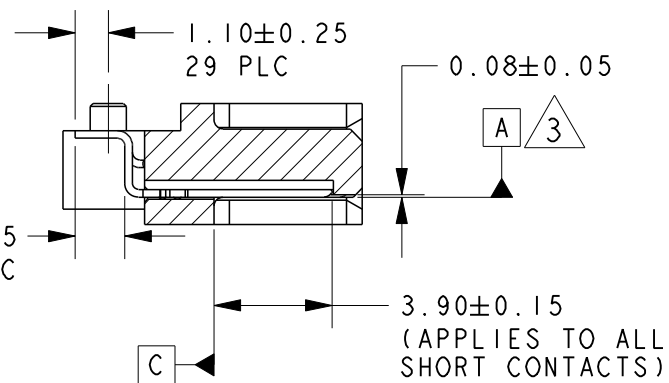
1735610-1
PART NO.

THIS DRAWING IS UNPUBLISHED. RELEASED FOR PUBLICATION .19 .
 © COPYRIGHT 19 BY AMP INCORPORATED. ALL RIGHTS RESERVED.

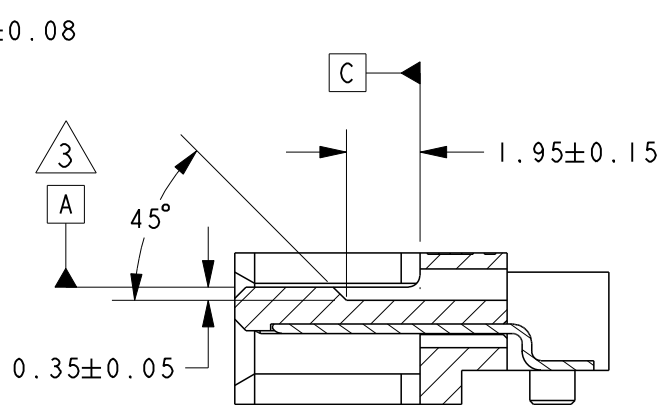
LOC	DIST	REVISIONS					
DY	-	P	LTR	DESCRIPTION	DATE	DWN	APVD
				SEE SHEET 1			



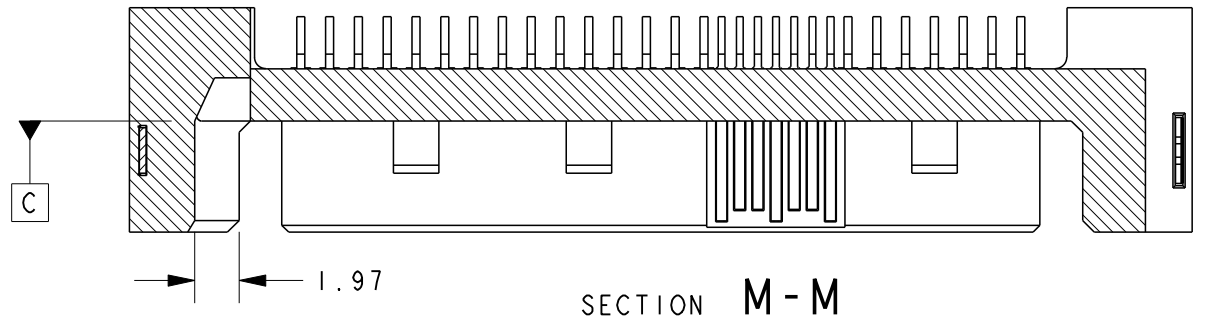
SECTION F-F
SCALE 5:1



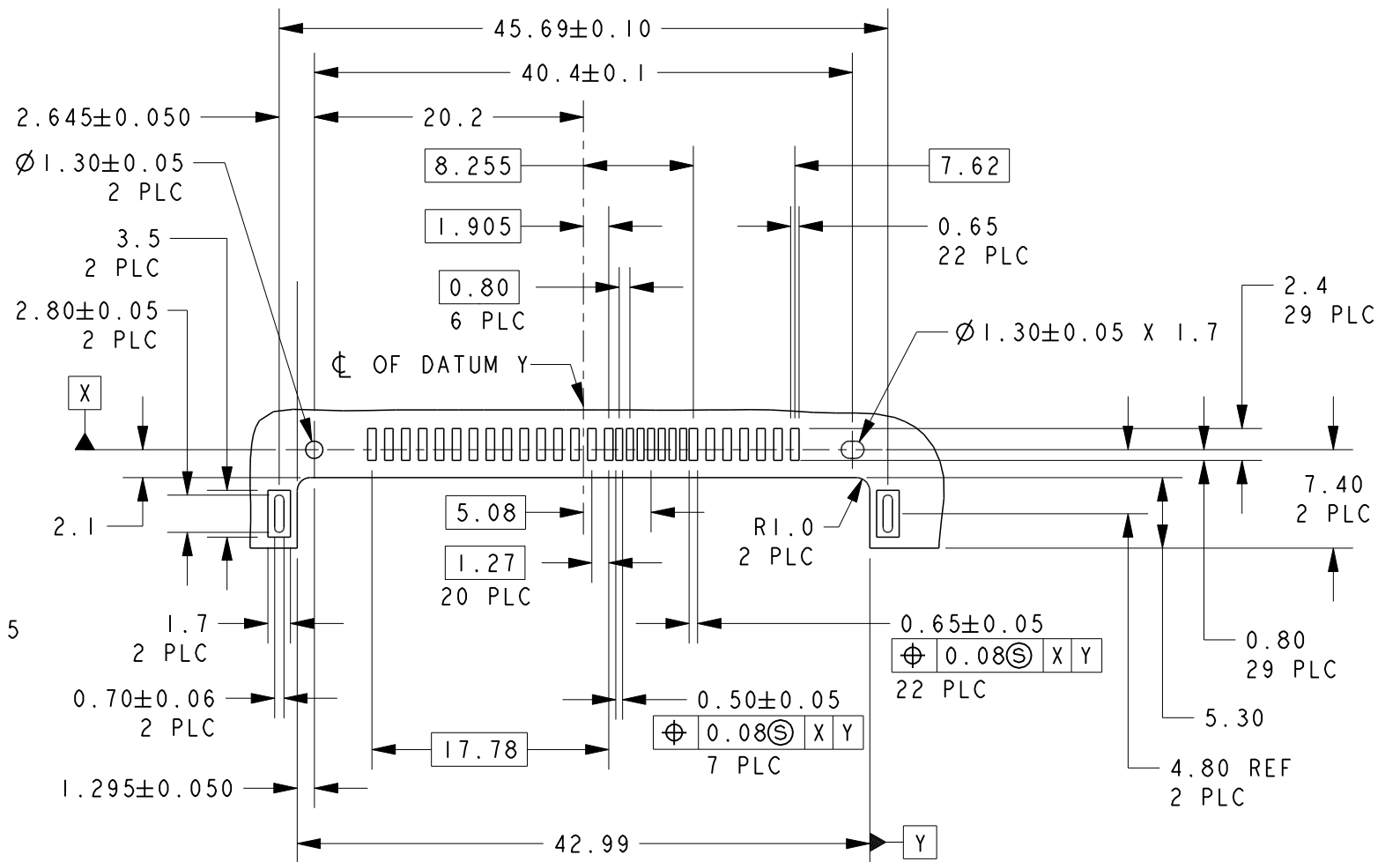
SECTION H-H
SCALE 4:1



SECTION G-G
SCALE 5:1



SECTION M-M
SCALE 3:1



RECOMMENDED PCB MOUNTING
SCALE 2:1

THIS DRAWING IS A CONTROLLED DOCUMENT FOR AMP INCORPORATED. IT IS SUBJECT TO CHANGE AND THE CONTROLLING ENGINEERING ORGANIZATION SHOULD BE CONTACTED FOR THE LATEST REVISION.		DWN WYLEE	18DEC07	Tyco Electronics Corporation Singapore	
DIMENSIONS: mm		CHK JASON CHOW	NAME SAS PLUG, SMT, 15+7+7P		
TOLERANCES UNLESS OTHERWISE SPECIFIED:		APVD SF LEONG	PRODUCT SPEC 108-51053		
0 PLC ± 1 PLC ±0.15 2 PLC ±0.15 3 PLC ±0.15 4 PLC ± ANGLES ±2°		APPLICATION SPEC -		SIZE A3	CAGE CODE 00779
MATERIAL 1	FINISH 2	WEIGHT 1.53g		DRAWING NO C-1735610	
CUSTOMER DRAWING				SCALE 2:1	SHEET 2 OF 2
				REV B2	