



Chipsmall Limited consists of a professional team with an average of over 10 year of expertise in the distribution of electronic components. Based in Hongkong, we have already established firm and mutual-benefit business relationships with customers from,Europe,America and south Asia,supplying obsolete and hard-to-find components to meet their specific needs.

With the principle of “Quality Parts,Customers Priority,Honest Operation,and Considerate Service”,our business mainly focus on the distribution of electronic components. Line cards we deal with include Microchip,ALPS,ROHM,Xilinx,Pulse,ON,Everlight and Freescale. Main products comprise IC,Modules,Potentiometer,IC Socket,Relay,Connector.Our parts cover such applications as commercial,industrial, and automotives areas.

We are looking forward to setting up business relationship with you and hope to provide you with the best service and solution. Let us make a better world for our industry!



Contact us

Tel: +86-755-8981 8866 Fax: +86-755-8427 6832

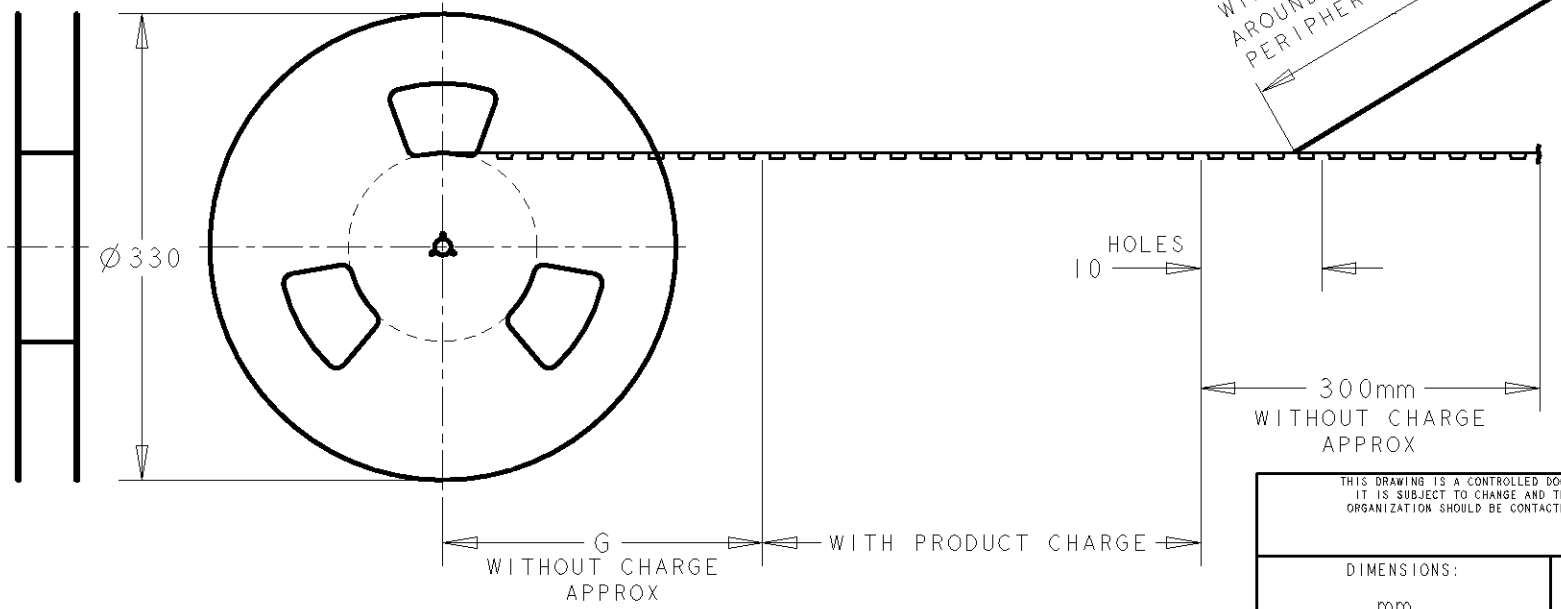
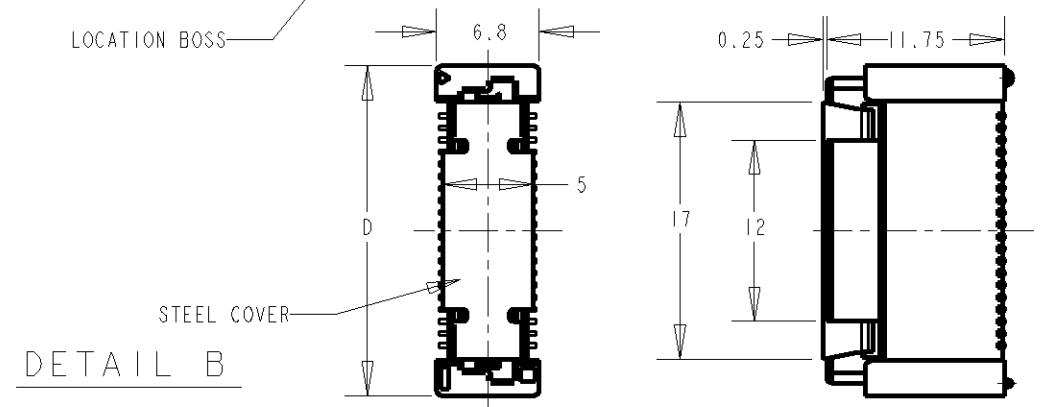
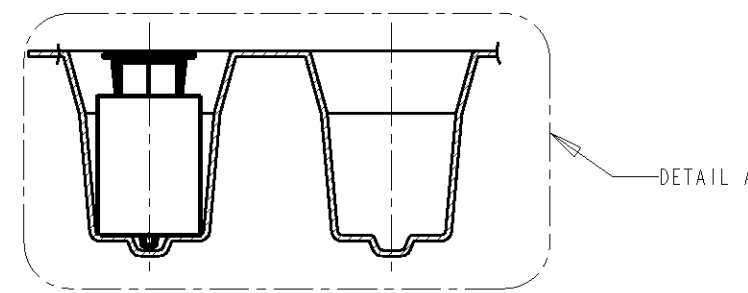
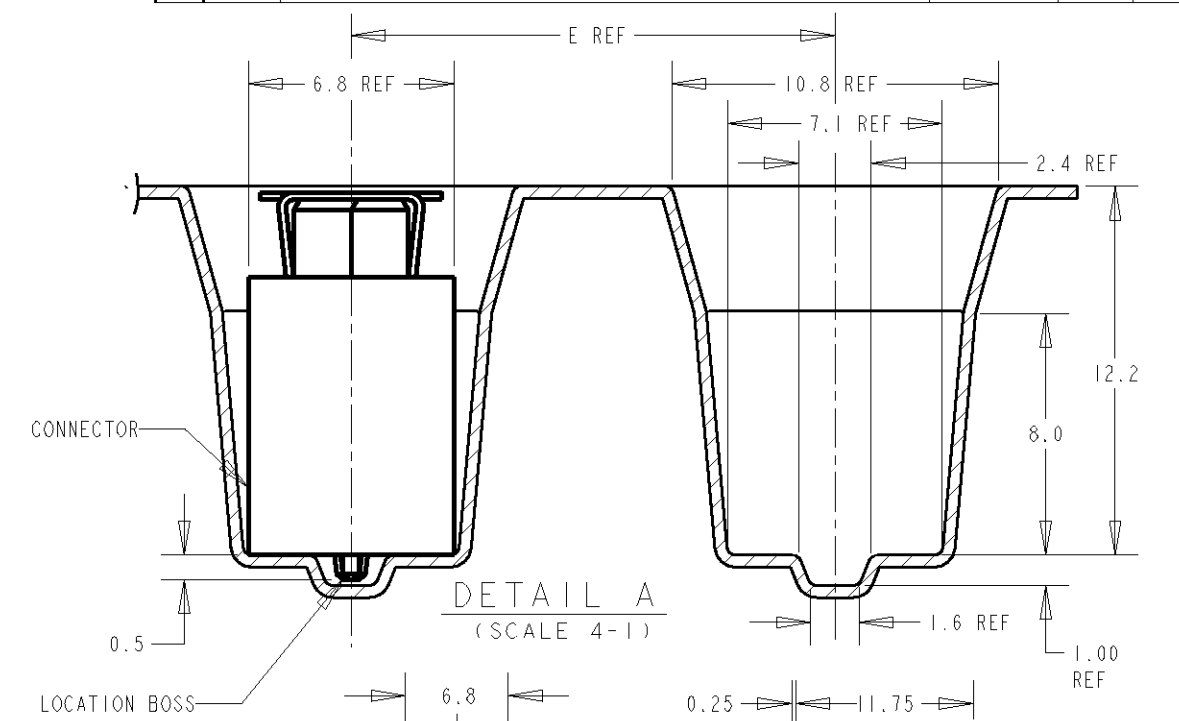
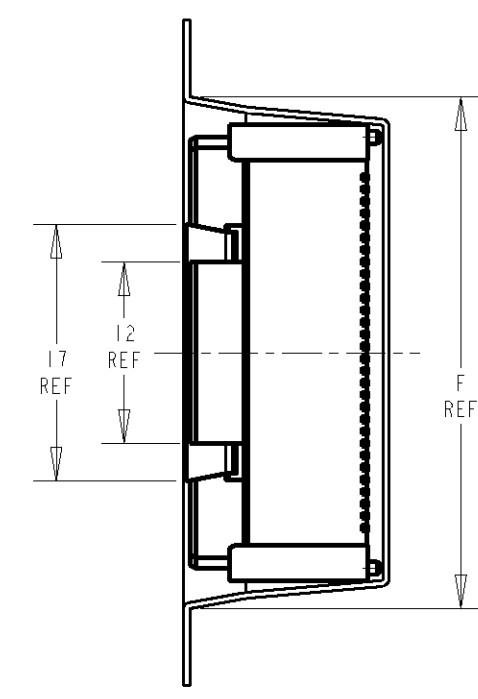
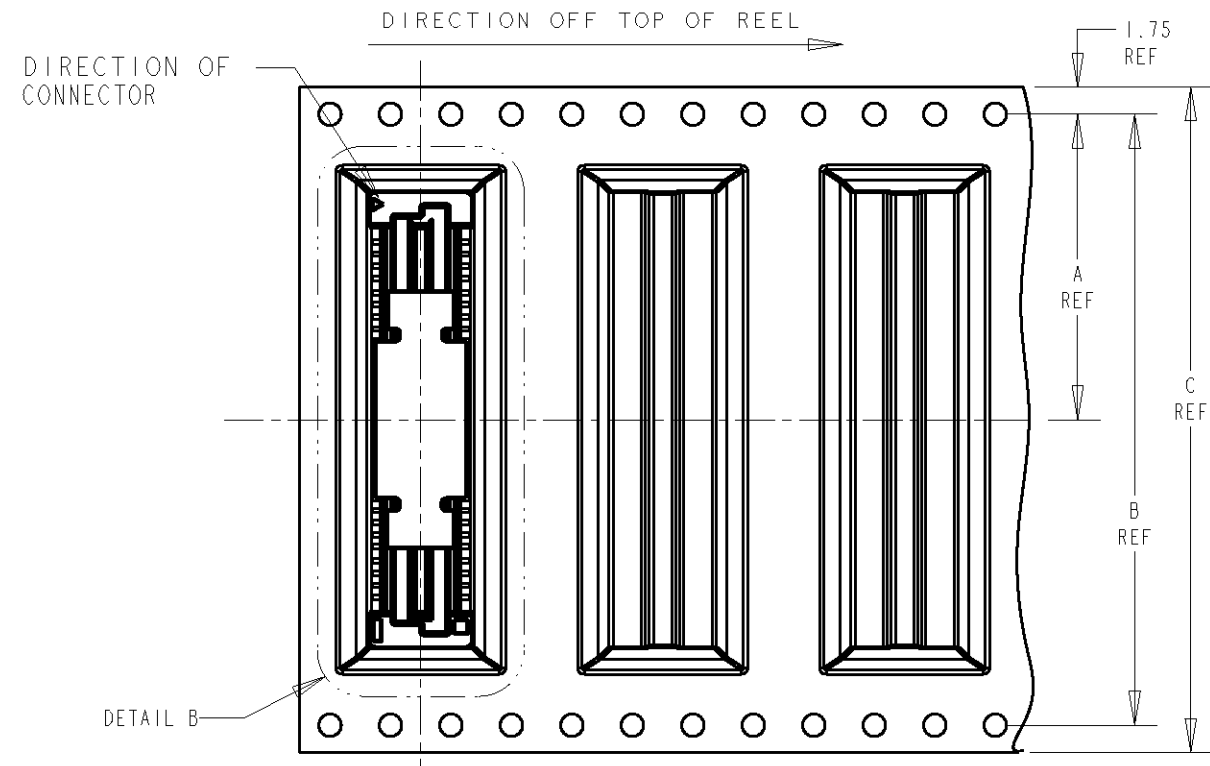
Email & Skype: info@chipsmall.com Web: www.chipsmall.com

Address: A1208, Overseas Decoration Building, #122 Zhenhua RD., Futian, Shenzhen, China



THIS DRAWING IS UNPUBLISHED. RELEASED FOR PUBLICATION .19
 BY AMP INCORPORATED. ALL RIGHTS RESERVED.

LOC	DIST	REVISIONS			
P	LTR	DESCRIPTION	DATE	DWN	APVD
DY	-	A	NPR PER ECR-08-018292	22JUL2008	SYJ LSF



WINDING THE COVER TAPE AROUND THE OUTER PERIPHERY IN A TURN.

200	300	89.8	16	85.8	104	100.4	50.2	1-1735680-0	200	1-1735681-0
200	300	81.8	16	77.8	104	100.4	50.2	1735680-9	180	1735681-9
200	300	73.8	16	69.8	88	84.4	42.2	1735680-8	160	1735681-8
200	300	65.8	16	61.8	88	84.4	42.2	1735680-6	140	1735681-6
200	300	57.8	16	53.8	72	68.4	34.2	1735680-5	120	1735681-5
200	300	49.8	16	45.8	72	68.4	34.2	1735680-4	100	1735681-4
200	300	41.8	16	37.8	56	52.4	26.2	1735680-3	80	1735681-3
200	300	33.8	16	29.8	44	40.4	20.2	1735680-2	60	1735681-2
200	300	25.8	16	21.8	44	40.4	20.2	1735680-1	40	1735681-1
QTY	G	F	E	D	C	B	A	CONNECTOR P/N	POS	PART NO.

<small>THIS DRAWING IS A CONTROLLED DOCUMENT FOR AMP INCORPORATED. IT IS SUBJECT TO CHANGE AND THE CONTROLLING ENGINEERING ORGANIZATION SHOULD BE CONTACTED FOR THE LATEST REVISION.</small>		DWN 01SEP04 FLORENCE TAN CHK ERIC TNG APVD SF L FONG PRODUCT SPEC 108-5390 APPLICATION SPEC 114-5254 WEIGHT - CUSTOMER DRAWING	Tyco Electronics Tyco Electronics (Singapore) Pte. Ltd. NAME RECEPTACLE ASS'Y 13H TYPE (0.5 BOSS LENGTH) FOR FH 0.8mm B-T-B CONN. ON TAPING SIZE A3 CAGE CODE 00779 DRAWING NO 1735681 SCALE 2:1 SHEET 1 OF 1 REV A
DIMENSIONS: mm 	TOLERANCES UNLESS OTHERWISE SPECIFIED: 0 PLC ±- 1 PLC ±0.30 2 PLC ±0.25 3 PLC ±0.20 4 PLC ±- ANGLES ±- MATERIAL - FINISH -		