



Chipsmall Limited consists of a professional team with an average of over 10 year of expertise in the distribution of electronic components. Based in Hongkong, we have already established firm and mutual-benefit business relationships with customers from,Europe,America and south Asia,supplying obsolete and hard-to-find components to meet their specific needs.

With the principle of “Quality Parts,Customers Priority,Honest Operation,and Considerate Service”,our business mainly focus on the distribution of electronic components. Line cards we deal with include Microchip,ALPS,ROHM,Xilinx,Pulse,ON,Everlight and Freescale. Main products comprise IC,Modules,Potentiometer,IC Socket,Relay,Connector.Our parts cover such applications as commercial,industrial, and automotives areas.

We are looking forward to setting up business relationship with you and hope to provide you with the best service and solution. Let us make a better world for our industry!



Contact us

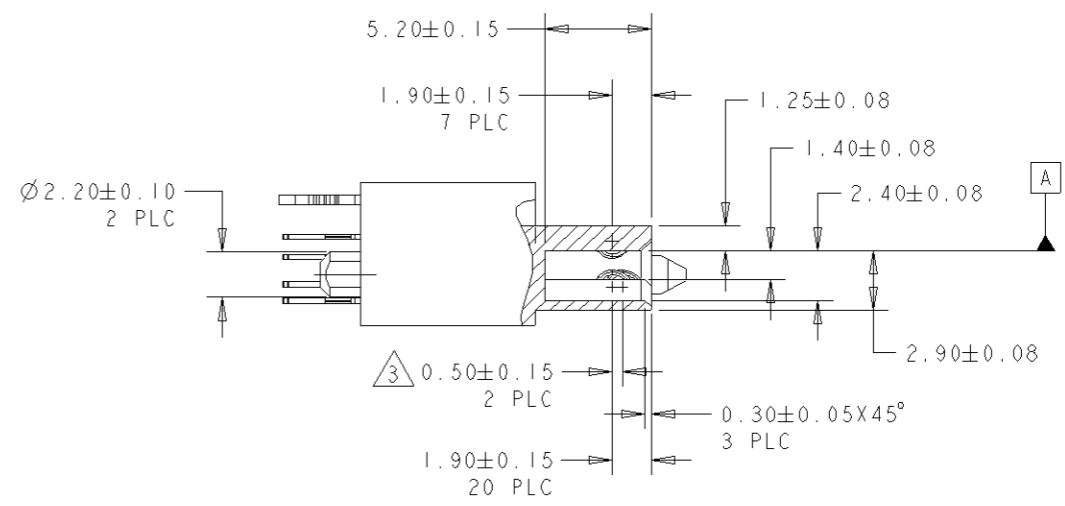
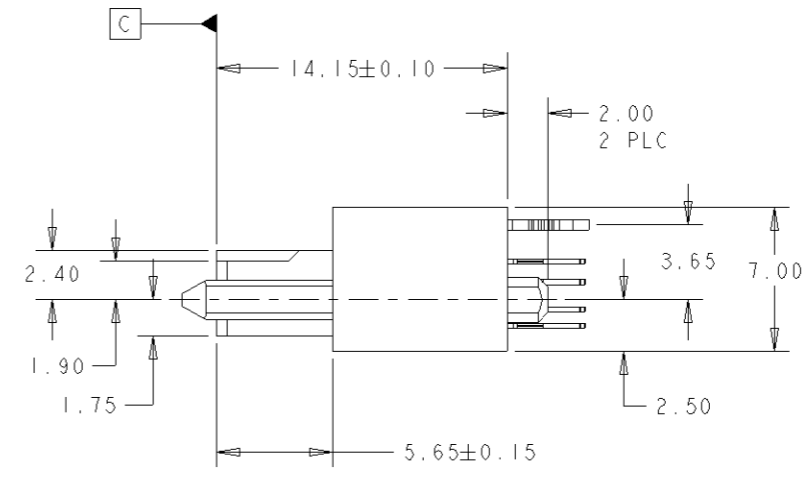
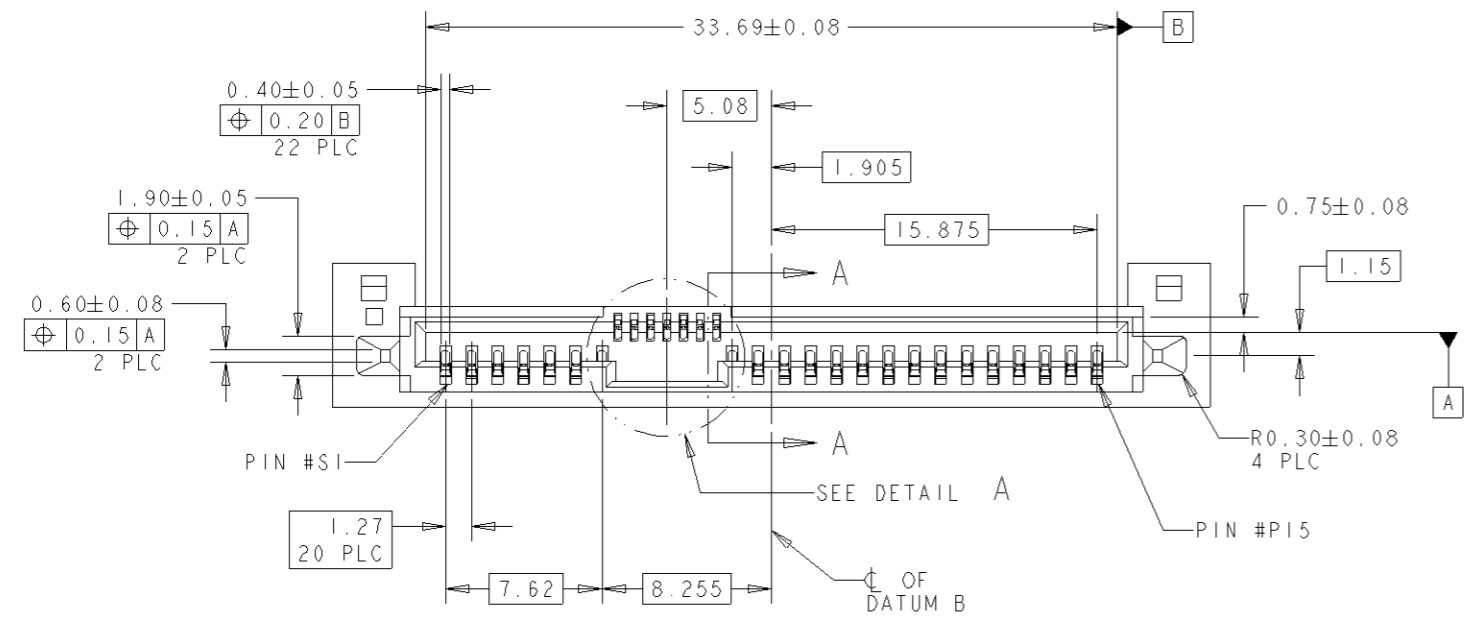
Tel: +86-755-8981 8866 Fax: +86-755-8427 6832

Email & Skype: info@chipsmall.com Web: www.chipsmall.com

Address: A1208, Overseas Decoration Building, #122 Zhenhua RD., Futian, Shenzhen, China

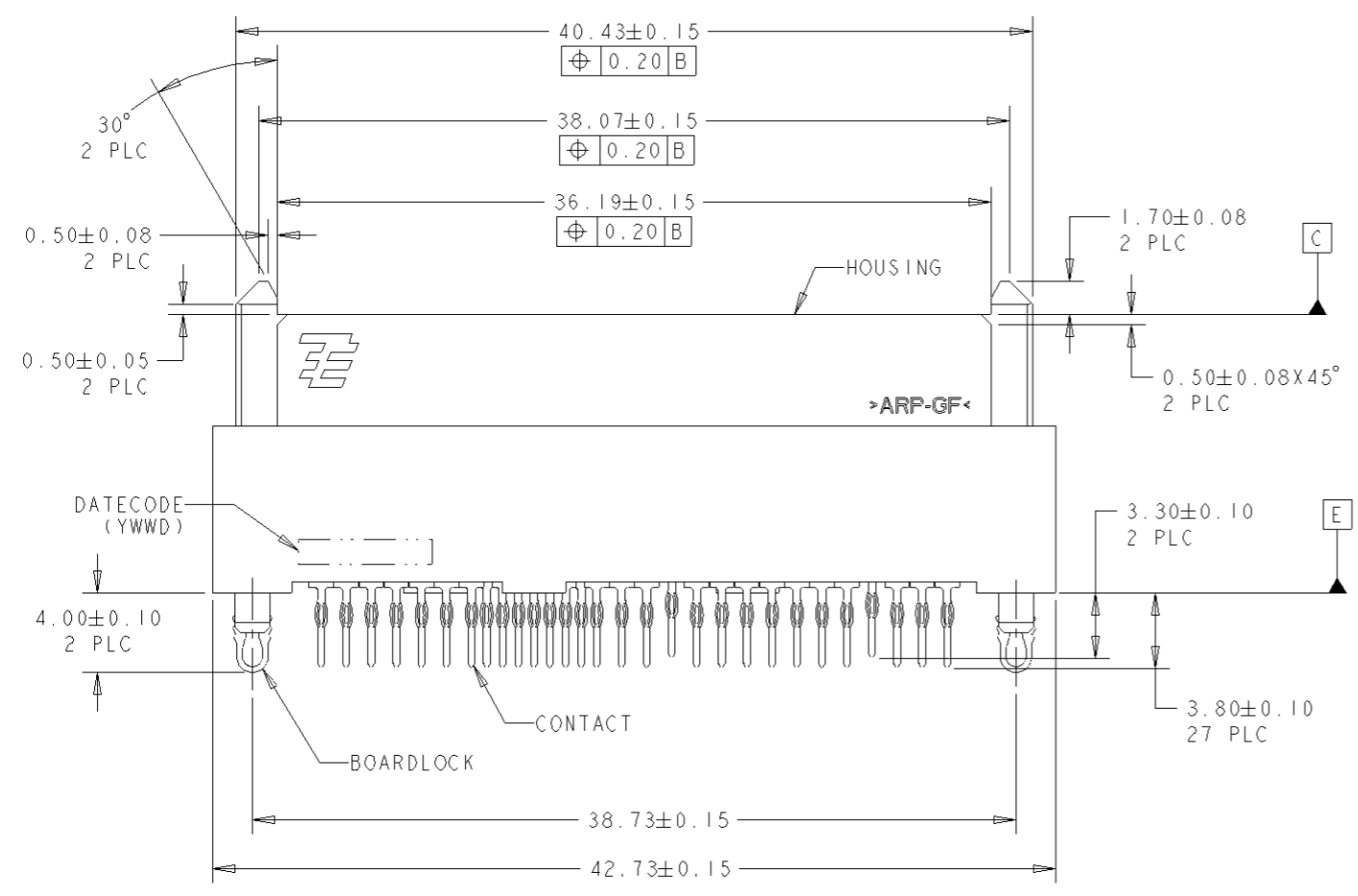


LOC		DIST		REVISIONS				
P	LTR	DESCRIPTION	DATE	DWN	APVD			
DY	-			A	NPR PER ECR-09-000416	12JAN09	LSK	LSF



NOTES:

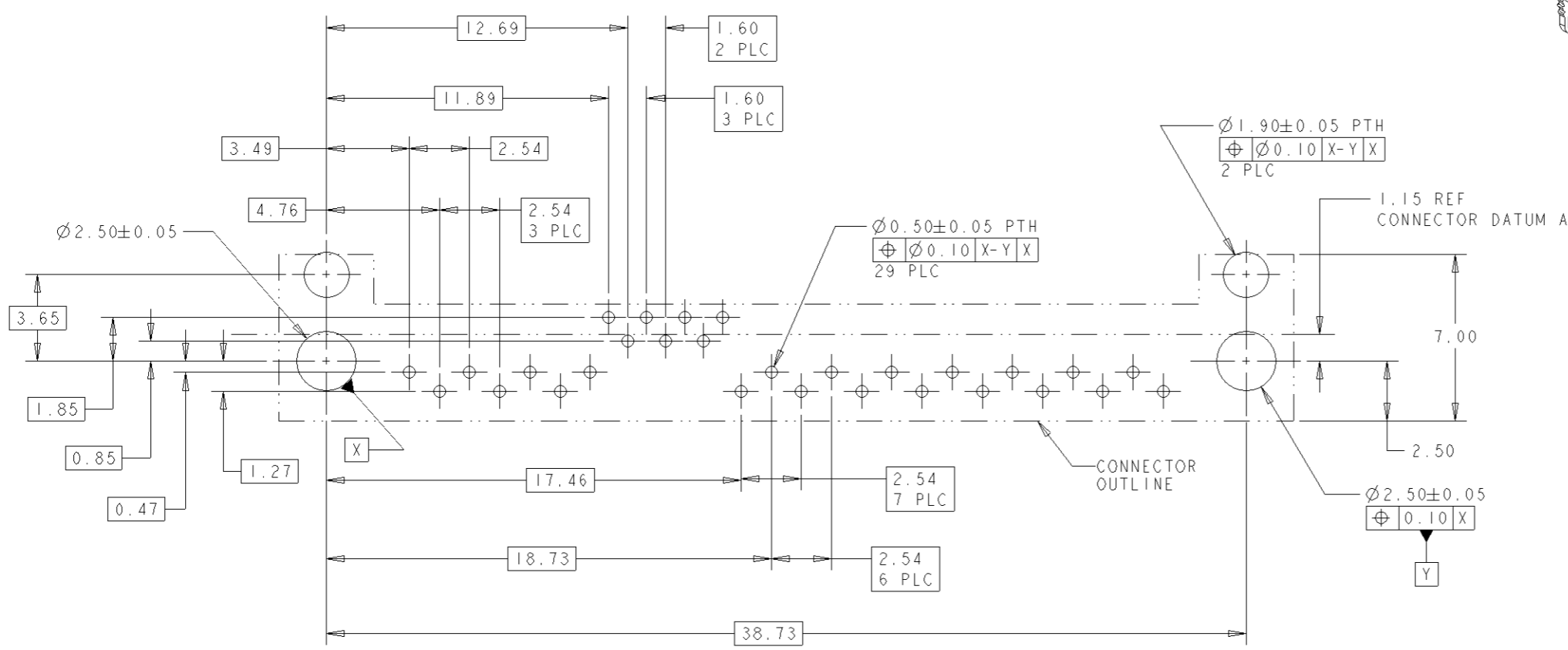
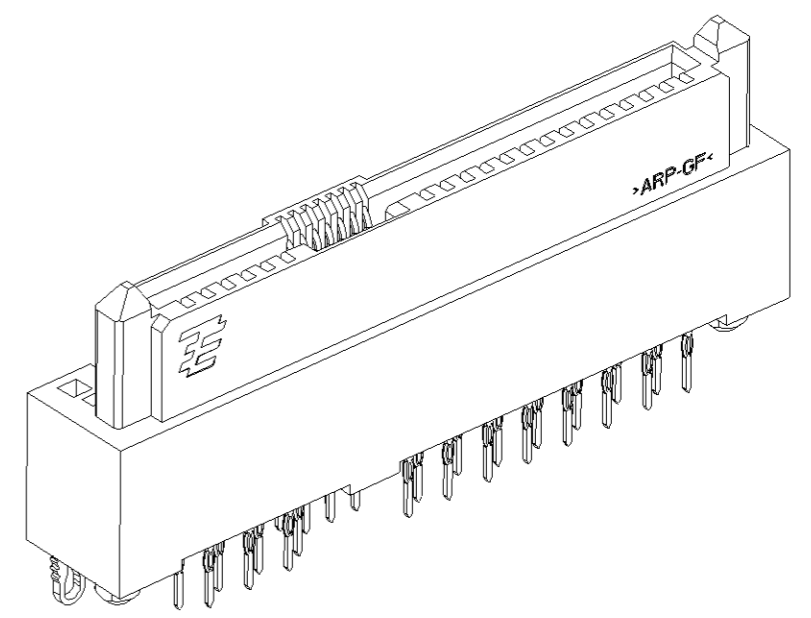
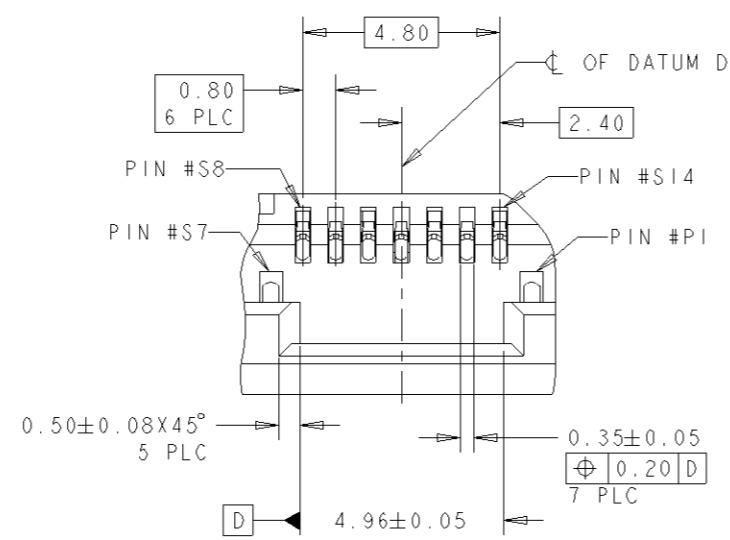
- 1 MATERIAL:
HOUSING: HIGH TEMP THERMOPLASTIC, UL94V-0, COLOR: BLACK
CONTACT: COPPER ALLOY
BOARDLOCK: COPPER ALLOY
- 2 FINISH:
CONTACT MATING AREA: MIN 0.20um GOLD PLATING
CONTACT SOLDER TAIL: MIN 2.54um MATTE TIN PLATING
BOARDLOCK: MIN 2.54um MATTE TIN PLATING
UNDERPLATE: MIN 1.27um NICKEL PLATING
- 3 PIN #P4 AND #P12 ONLY



1735690-1
PART NUMBER

THIS DRAWING IS A CONTROLLED DOCUMENT FOR AMP INCORPORATED. IT IS SUBJECT TO CHANGE AND THE CONTROLLING ENGINEERING ORGANIZATION SHOULD BE CONTACTED FOR THE LATEST REVISION.		DWN SK LEAW 04JUL2008	Tyco Electronics Corporation Singapore	
DIMENSIONS: mm		CHK SF LEONG 12JAN2009	NAME SAS BACKPLANE RECEPTACLE, VERTICAL, EXTENDED HEIGHT, PRESS-FIT	
TOLERANCES UNLESS OTHERWISE SPECIFIED: 0 PLC ± 1 PLC ± 2 PLC ±0.20 3 PLC ± 4 PLC ± ANGLES ±3° FINISH		APVD SF LEONG 12JAN2009	PRODUCT SPEC 108-51067	
MATERIAL		APPLICATION SPEC -	WEIGHT -	SCALE A2
1		CUSTOMER DRAWING		CAGE CODE 00779
		DRAWING NO C=1735690		SCALE 4:1
		SHEET 1 OF 2		REV A

LOC	DIST	REVISIONS					
		P	LTR	DESCRIPTION	DATE	DWN	APVD
DY	-	-	-	SEE SHEET 1	-	-	-



RECOMMENDED PCB LAYOUT
 PCB THICKNESS: 2.40mm MIN
 SCALE 6:1

THIS DRAWING IS A CONTROLLED DOCUMENT FOR AMP INCORPORATED. IT IS SUBJECT TO CHANGE AND THE CONTROLLING ENGINEERING ORGANIZATION SHOULD BE CONTACTED FOR THE LATEST REVISION.		DWN SK LEAW 04 JUL 2008	Tyco Electronics Tyco Electronics Corporation Singapore	
DIMENSIONS: mm		CHK SF LEONG 12 JAN 2009	NAME SAS BACKPLANE RECEPTACLE, VERTICAL, EXTENDED HEIGHT, PRESS-FIT	
TOLERANCES UNLESS OTHERWISE SPECIFIED: 0 PLC ± 1 PLC ± 2 PLC ±0.20 3 PLC ± 4 PLC ± ANGLES ±3° FINISH -		APVD SF LEONG 12 JAN 2009	DRAWING NO C=1735690	
MATERIAL -		PRODUCT SPEC 108-51067	SIZE A2	CAGE CODE 00779
		APPLICATION SPEC -	SCALE 4:1	
		WEIGHT -	SHEET 2 OF 2	
		CUSTOMER DRAWING	REV A	