



Chipsmall Limited consists of a professional team with an average of over 10 year of expertise in the distribution of electronic components. Based in Hongkong, we have already established firm and mutual-benefit business relationships with customers from,Europe,America and south Asia,supplying obsolete and hard-to-find components to meet their specific needs.

With the principle of “Quality Parts,Customers Priority,Honest Operation,and Considerate Service”,our business mainly focus on the distribution of electronic components. Line cards we deal with include Microchip,ALPS,ROHM,Xilinx,Pulse,ON,Everlight and Freescale. Main products comprise IC,Modules,Potentiometer,IC Socket,Relay,Connector.Our parts cover such applications as commercial,industrial, and automotives areas.

We are looking forward to setting up business relationship with you and hope to provide you with the best service and solution. Let us make a better world for our industry!



Contact us

Tel: +86-755-8981 8866 Fax: +86-755-8427 6832

Email & Skype: info@chipsmall.com Web: www.chipsmall.com

Address: A1208, Overseas Decoration Building, #122 Zhenhua RD., Futian, Shenzhen, China

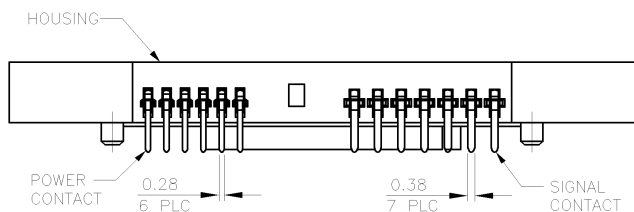
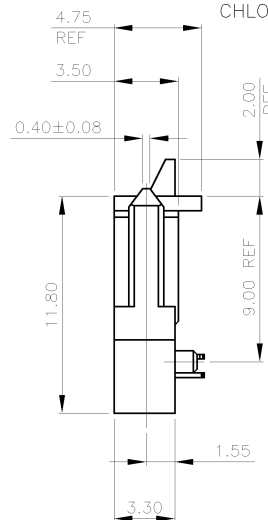
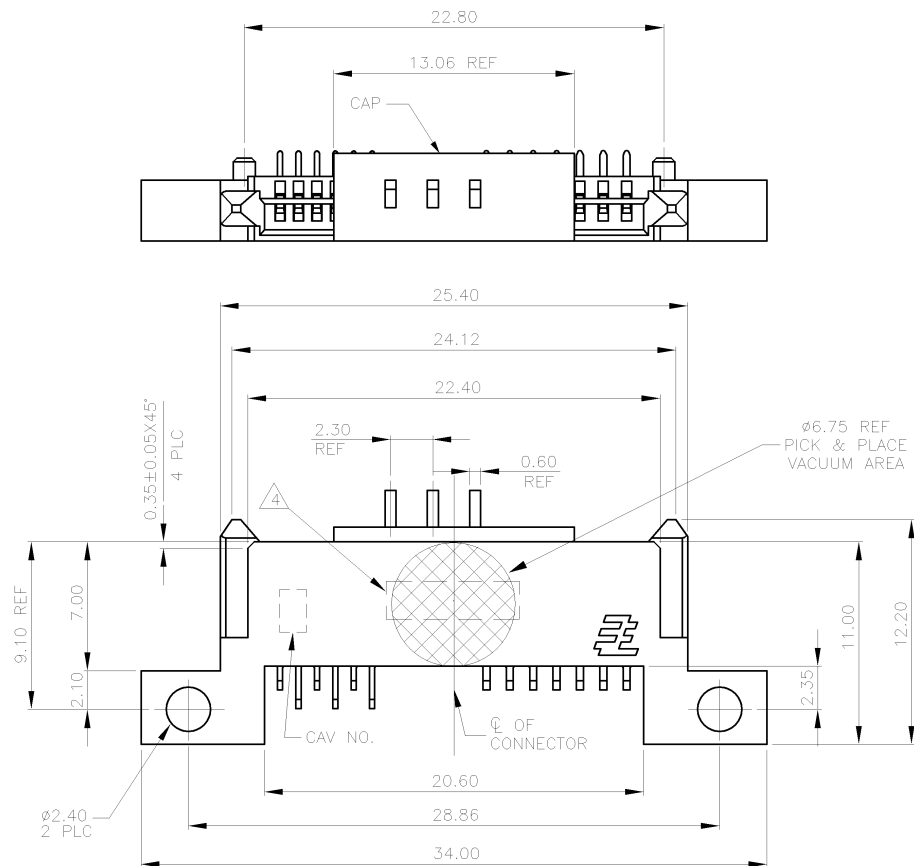


THIS DRAWING IS UNPUBLISHED. RELEASED FOR PUBLICATION AUG ,2006.

© COPYRIGHT - BY TYCO ELECTRONICS CORPORATION. ALL RIGHTS RESERVED.

LOC	DIST	REVISIONS					
DW	-	P	LTR	DESCRIPTION	DATE	DWN	APVD
NOTES:		B		REVISED (ECR-12-003204)	21FEB12	JL	WK

- MATERIAL:
HOUSING: HIGH TEMP THERMOPLASTIC(LCP) WITH 0% GF, UL94V-0, BLACK
CONTACT: PHOSPHOR BRONZE
CAP: HIGH TEMP THERMOPLASTIC(LCP) WITH 0% GF, UL94V-0, BLACK
- FINISH:
CONTACT MATING AREA: GOLD PLATING(SEE TABLE)
2.54um[100u"] MIN. MATTE-TIN PLATING ON SOLDERTAIL:
1.27um[50u"] MIN. NICKEL UNDERPLATE PLATING ALL OVER.
- REFLOW SOLDER CAPABLE TO 260°C PER TEST SPEC.
109-201, CONDITION B.
- DATE CODE LOCATION.
- NO CUMULATIVE TOLERANCE.
- LOW HALOGEN SPECIFICATION:
CHLORINE(Cl): 900ppm MAX.
BROMINE(Br): 900ppm MAX.
CHLORINE(Cl)+BROMINE(Br): 1500ppm MAX.

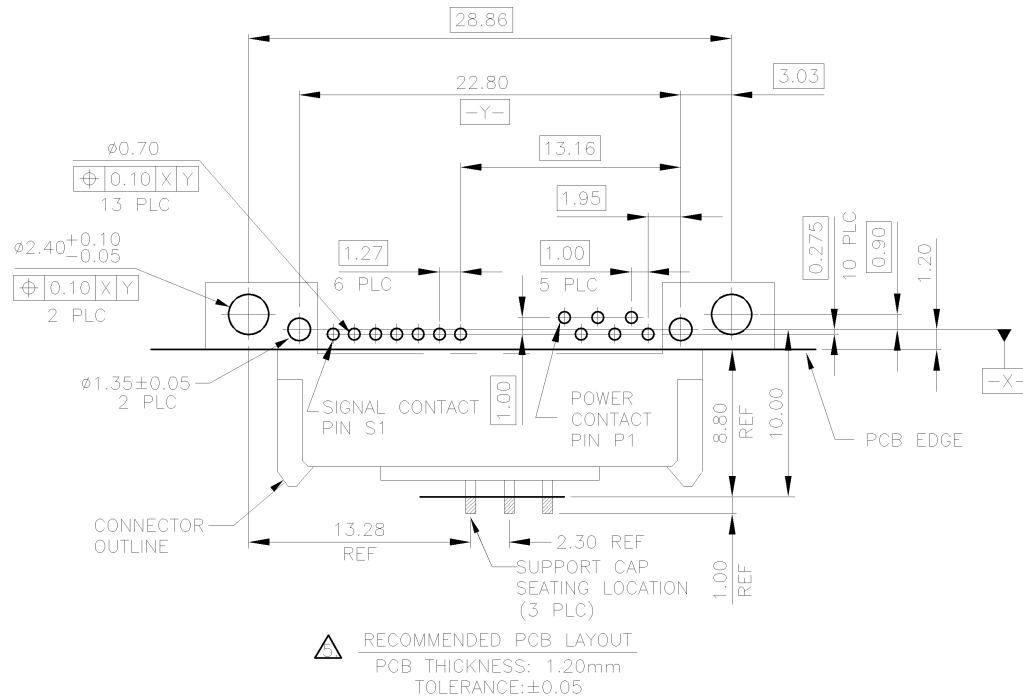
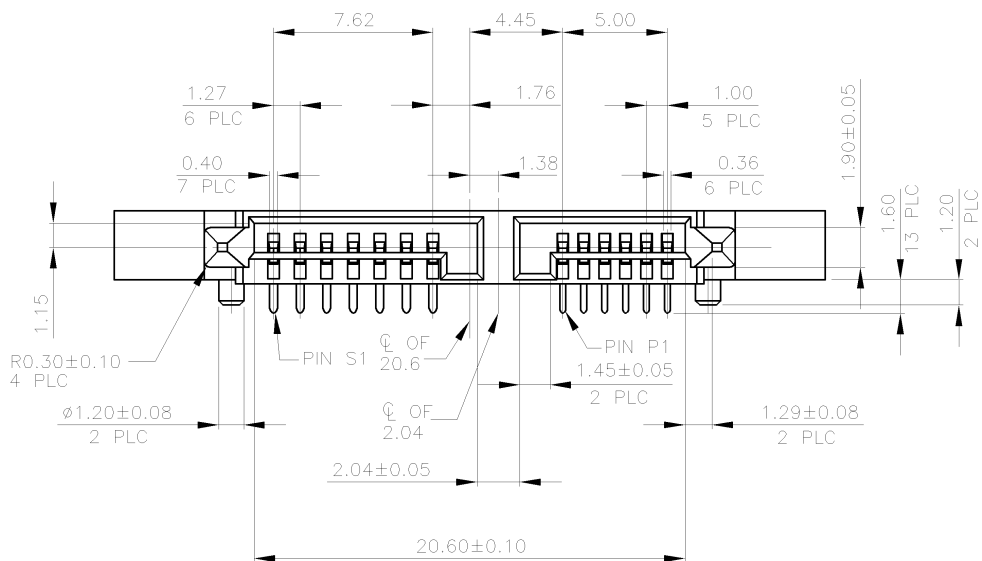


0.762µm[30µ"]	1735777-3
0.381µm[15µ"]	1735777-2
G/F	1735777-1
MINIMUM GOLD PLATING	PART NUMBER

THIS DRAWING IS A CONTROLLED DOCUMENT.		DWN	J. LAI	31AUG2009	 TE Connectivity	SLIMLINE SATA RECEPTACLE, RIGHT ANGLE, TH, 1.55H TOP MOUNT		
DIMENSIONS: MM		CHK	S. CHIEN	31AUG2009		NAME	-	
TOLERANCES UNLESS OTHERWISE SPECIFIED:		APVD	W. KODAMA	31AUG2009		PRODUCT SPEC	108-57778	
0 PLC ± - 1 PLC ± 0.30 2 PLC ± 0.20 3 PLC ± 0.15 4 PLC ± - ANGLES ± - ± 3'		APPLICATION SPEC	-			SIZE	CAGE CODE	DRAWING NO
MATERIAL	SEE NOTE	WEIGHT	1.05 GRAMS		A3	00779	C=1735777	
CUSTOMER DRAWING		SCALE		SHEET		1 of 3		
						REV B		

LOC	DIST	REVISIONS					
DW	-	P	LTR	DESCRIPTION	DATE	DWN	APVD
				SEE SHEET 1			

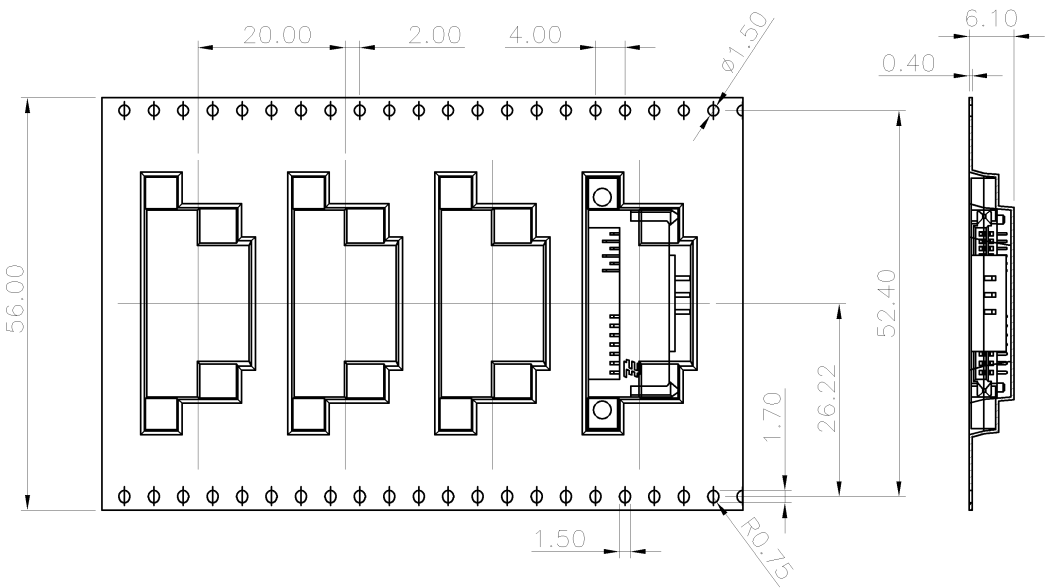
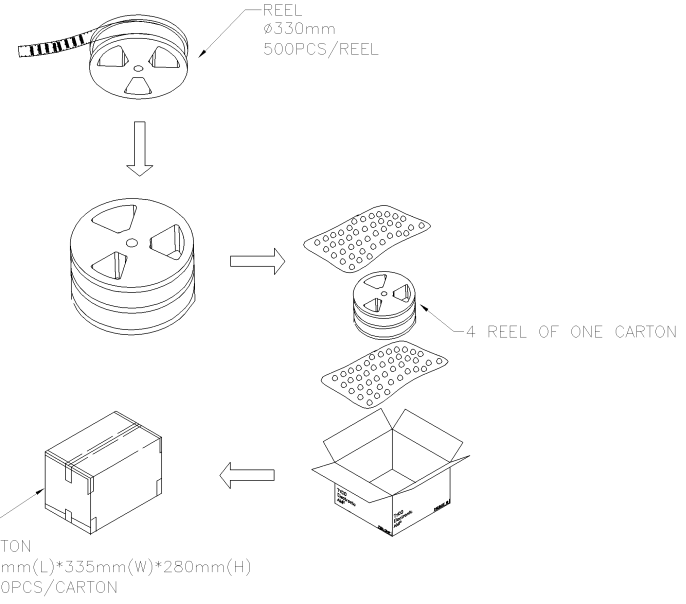
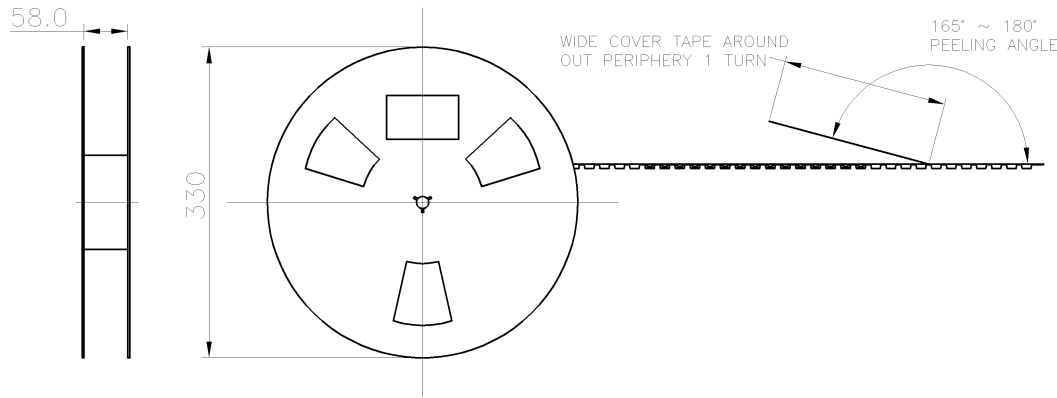
(WITHOUT CAP)



THIS DRAWING IS A CONTROLLED DOCUMENT.		DWN			
DIMENSIONS: MM		TOLERANCES UNLESS OTHERWISE SPECIFIED:		NAME	
		0 PLC ± - 1 PLC ± 0.30 2 PLC ± 0.20 3 PLC ± 0.15 4 PLC ± - ANGLES ± 3°		SLIMLINE SATA RECEPTACLE, RIGHT ANGLE, TH, 1.55H TOP MOUNT	
MATERIAL SEE SHEET 1	FINISH SEE SHEET 1	APVD	PRODUCT SPEC	SIZE A3	RESTRICTED TO
		CHK	QUALIFICATION TEST REPORT	CAGE CODE 00779	DRAWING NO C=1735777
		APVD	WEIGHT	SCALE	
		APVD	CUSTOMER DRAWING	SHEET 2 of 3	
		APVD		REV B	

THIS DRAWING IS UNPUBLISHED. RELEASED FOR PUBLICATION AUG ,2006.
 © COPYRIGHT BY TYCO ELECTRONICS CORPORATION. ALL RIGHTS RESERVED.

LOC DW	DIST	REVISIONS					
		P	LTR	DESCRIPTION	DATE	DWN	APVD
				SEE SHEET 1.			



SCALE 2:1

4.9(Kg)	2.1(Kg)	500	2000
G/W	N/W	PCS/REEL	PCS/CARTON

THIS DRAWING IS A CONTROLLED DOCUMENT.		DWN	STE TE Connectivity			
DIMENSIONS: MM		CHK				
TOLERANCES UNLESS OTHERWISE SPECIFIED:		APVD	NAME			
0 PLC ± -		PRODUCT SPEC	SLIMLINE SATA RECEPTACLE, RIGHT ANGLE, TH, 1.55H TOP MOUNT			
1 PLC ± -		APPLICATION SPEC				
2 PLC ± -		WEIGHT	SIZE	CAGE CODE	DRAWING NO	RESTRICTED TO
3 PLC ± -		A3		00779	C=1735777	-
4 PLC ± -		CUSTOMER DRAWING		SCALE	SHEET	REV
ANGLES ± -				-	3 of 3	B
MATERIAL						
FINISH						