



Chipsmall Limited consists of a professional team with an average of over 10 year of expertise in the distribution of electronic components. Based in Hongkong, we have already established firm and mutual-benefit business relationships with customers from,Europe,America and south Asia,supplying obsolete and hard-to-find components to meet their specific needs.

With the principle of “Quality Parts,Customers Priority,Honest Operation,and Considerate Service”,our business mainly focus on the distribution of electronic components. Line cards we deal with include Microchip,ALPS,ROHM,Xilinx,Pulse,ON,Everlight and Freescale. Main products comprise IC,Modules,Potentiometer,IC Socket,Relay,Connector.Our parts cover such applications as commercial,industrial, and automotives areas.

We are looking forward to setting up business relationship with you and hope to provide you with the best service and solution. Let us make a better world for our industry!



Contact us

Tel: +86-755-8981 8866 Fax: +86-755-8427 6832

Email & Skype: info@chipsmall.com Web: www.chipsmall.com

Address: A1208, Overseas Decoration Building, #122 Zhenhua RD., Futian, Shenzhen, China



THIS DRAWING IS UNPUBLISHED.

RELEASED FOR PUBLICATION

© COPYRIGHT

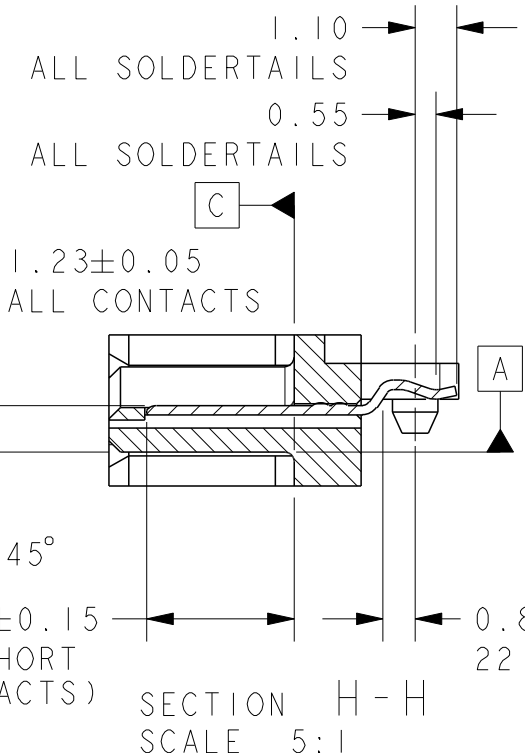
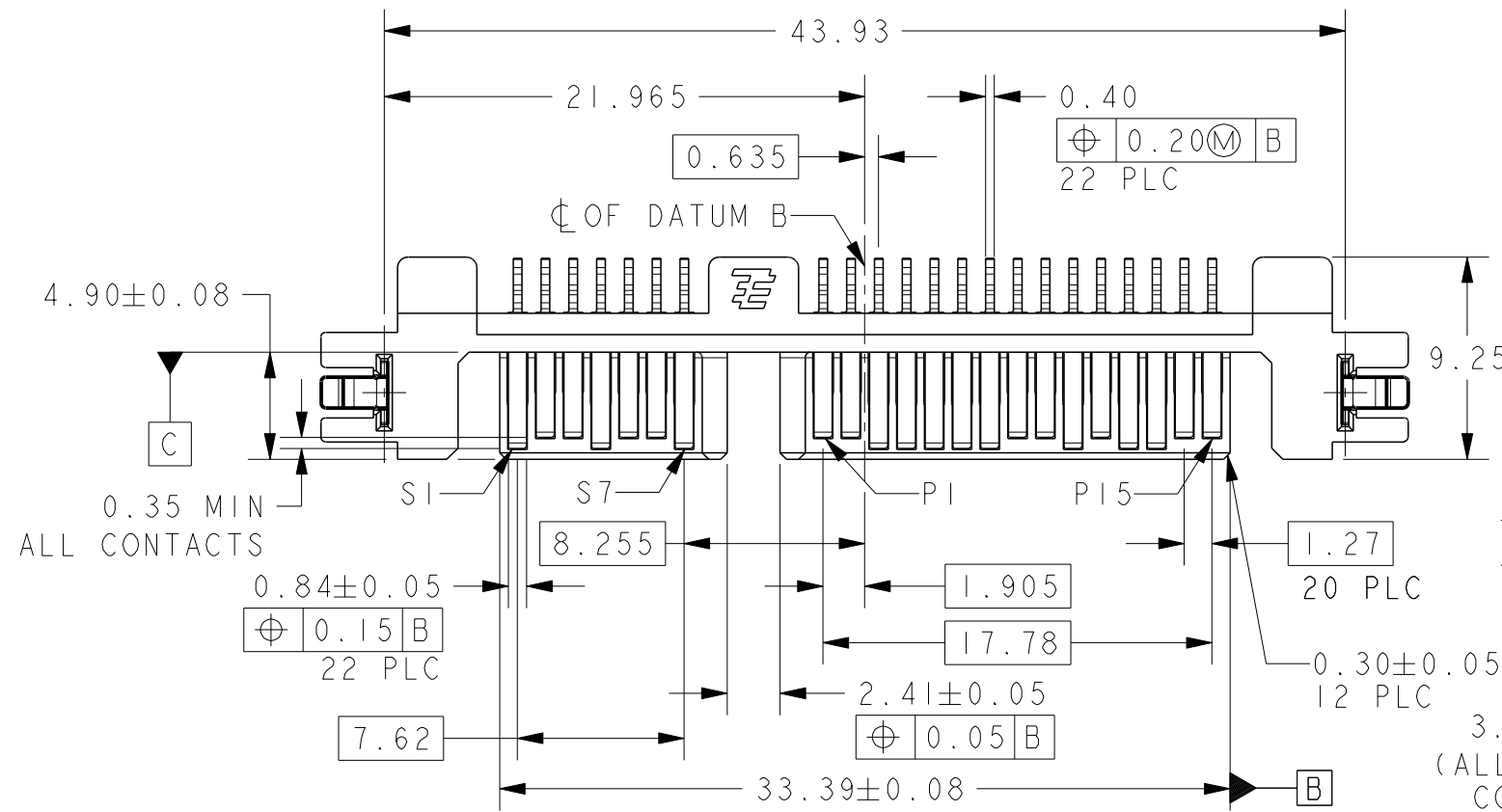
ALL RIGHTS RESERVED.

LOC
DY

DIST
-

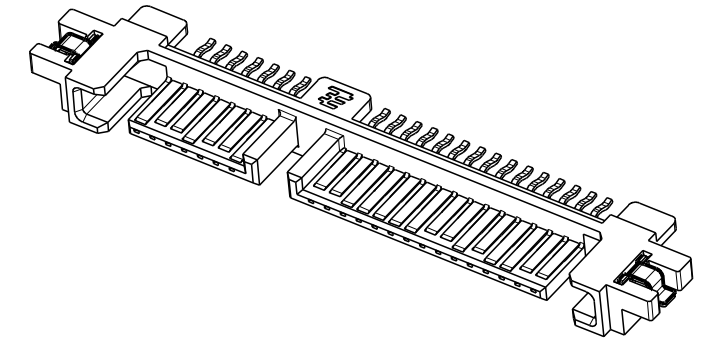
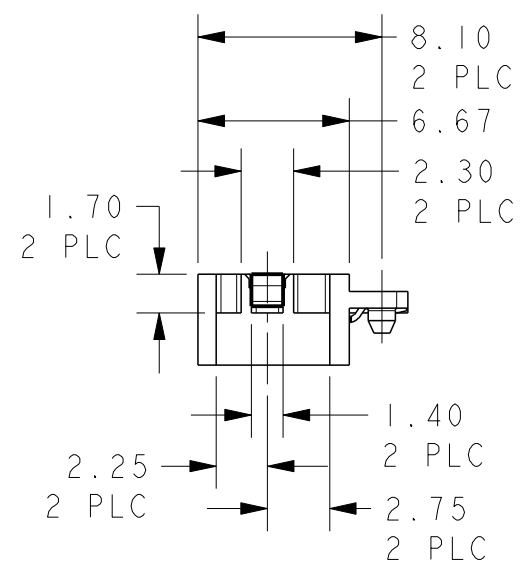
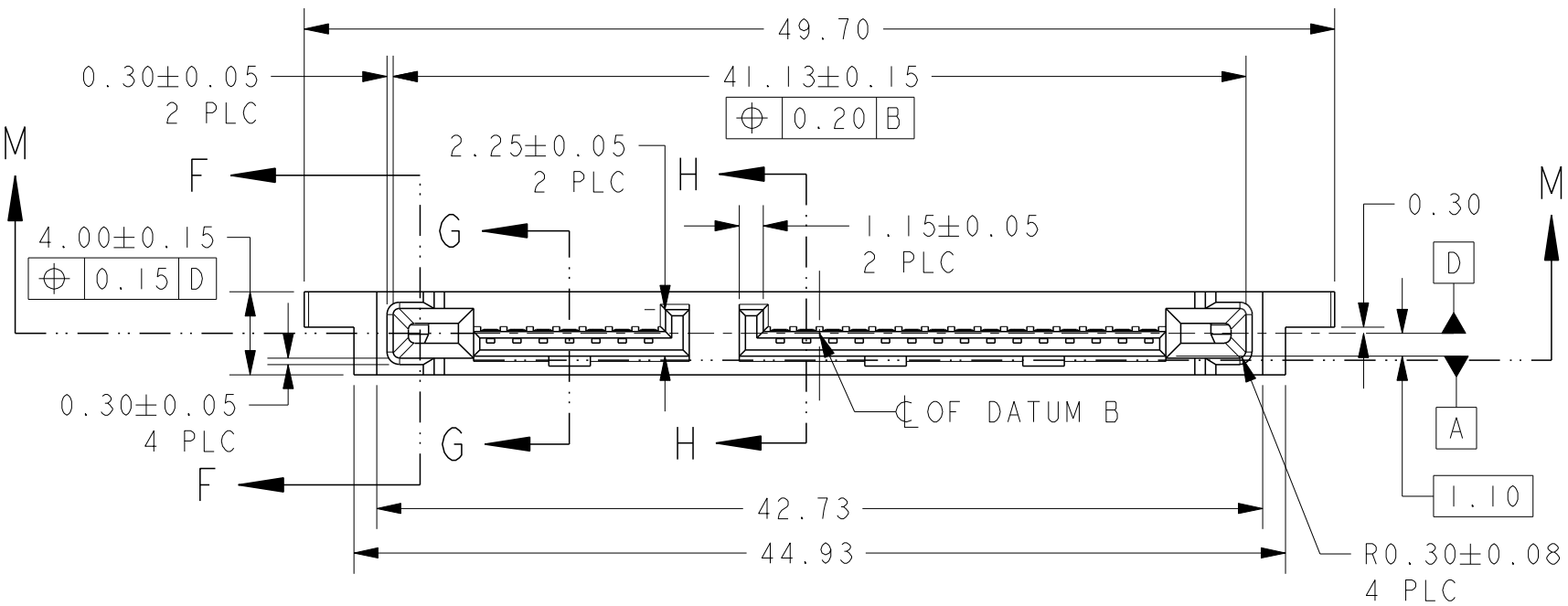
REVISIONS

P	LTR	DESCRIPTION	DATE	DWN	APVD
	CI	REVISED ECR-11-023087	11NOV2011	JC	LSF



NOTES:

- 1 MATERIAL
HOUSING: HIGH TEMPERATURE THERMOPLASTICS, GLASS FILLED, BLACK, UL94V-0, REGRIND 25% MAXIMUM
CONTACT: COPPER ALLOY
SOLDER PEG: COPPER ALLLOY
- 2 FINISH
CONTACT: "A" MIN GOLD ON MATING AREA AND 2.54µm MIN MATTE TIN (LEAD-FREE) ON SOLDER AREA
BOTH OVER 1.27µm MIN NICKEL ENTIRE
SOLDER PEG: 2.54µm MIN TIN (LEAD-FREE) OVER 1.27µm MIN NICKEL ENTIRE
- 3 CAVITY NO LOCATED AT APPROXIMATE AREA AS SHOWN
- 4 DATE CODE



ISOMETRIC VIEW
SCALE 2:1

0.76µm	1735783-3
0.38µm	1735783-2
0.05µm	1735783-1
"A"	PART NO.

THIS DRAWING IS A CONTROLLED DOCUMENT.

DWN 05JAN09
JASON CHOW
CHK AP TAY
APVD SE LEONG
PRODUCT SPEC 108-51052
APPLICATION SPEC -
WEIGHT 1.43g



SLIMLITE SATA PLUG,
15+7P, SMT

DIMENSIONS:	TOLERANCES UNLESS OTHERWISE SPECIFIED:
mm	
	0 PLC ±-
	1 PLC ±0.20
	2 PLC ±0.20
	3 PLC ±0.20
	4 PLC ±-
	ANGLES ±2°
MATERIAL	FINISH

SIZE	CAGE CODE	DRAWING NO	RESTRICTED TO
A3	00779	C-1735783	-

P/N: 1735783-1, -2, -3 AS SHOWN

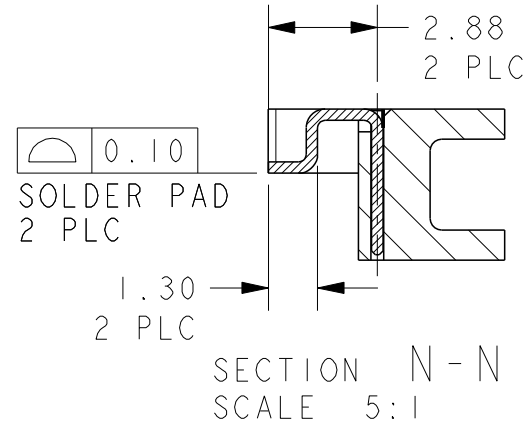
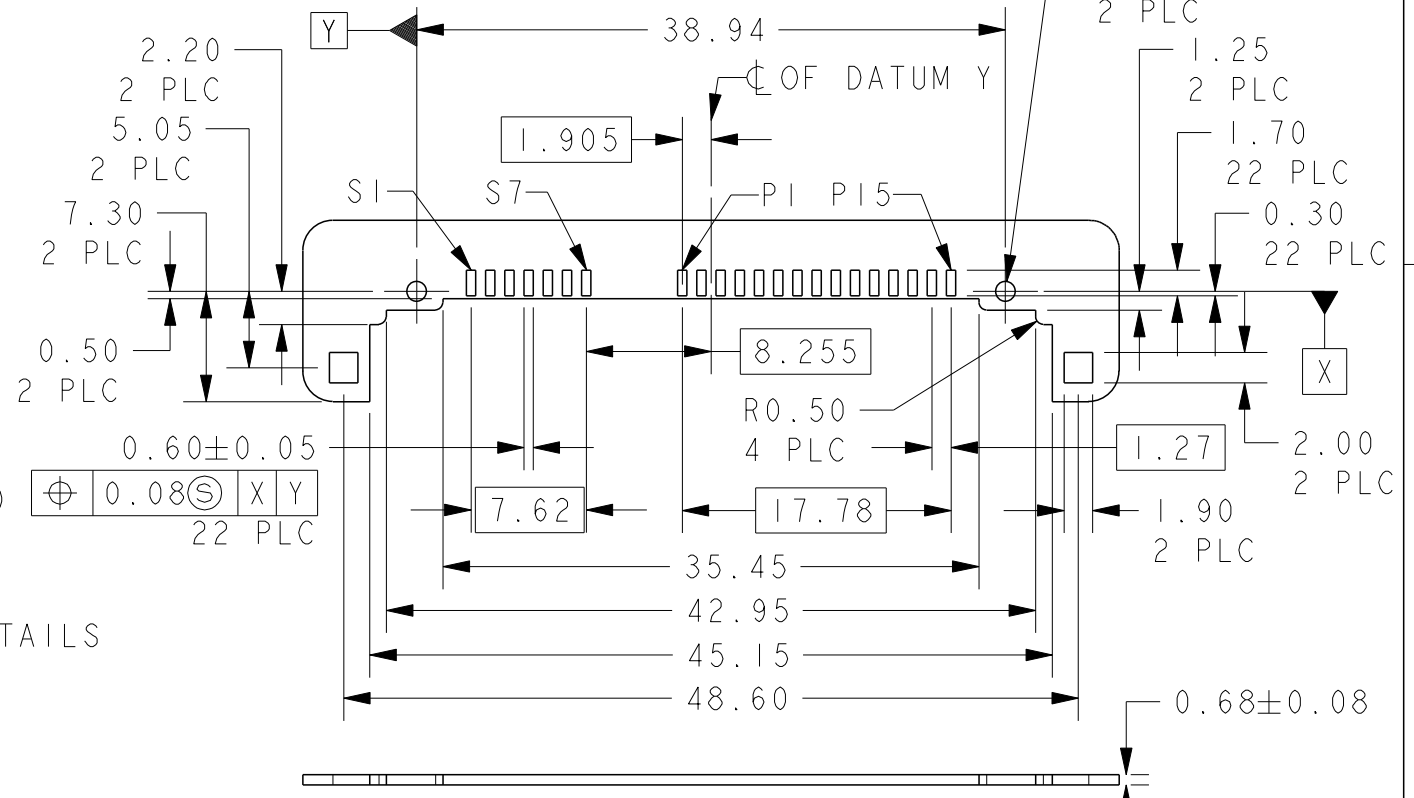
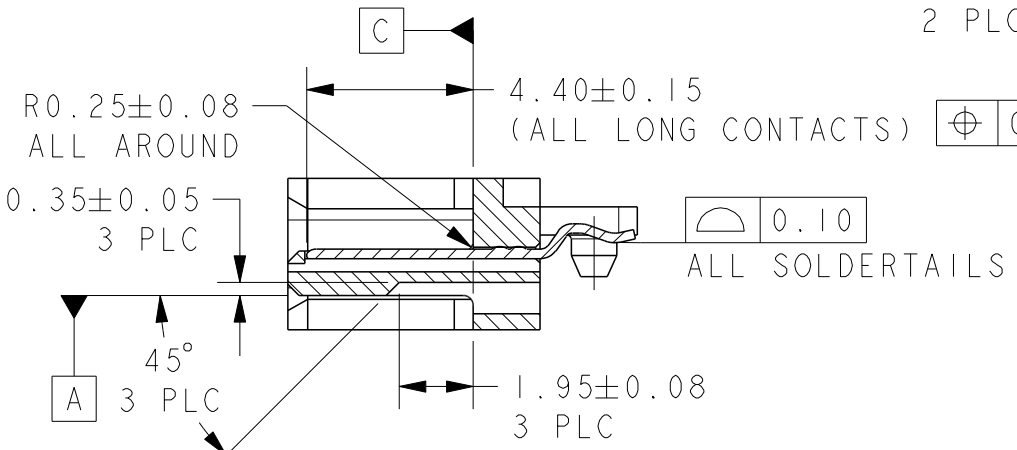
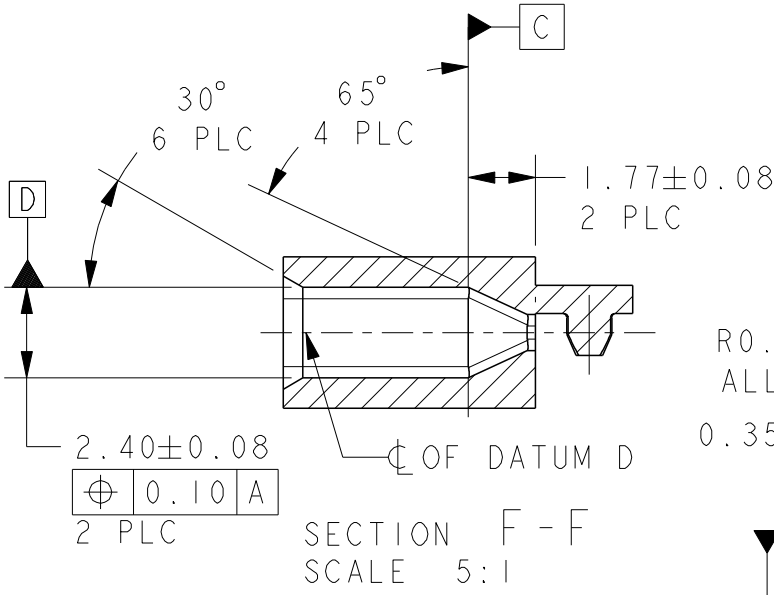
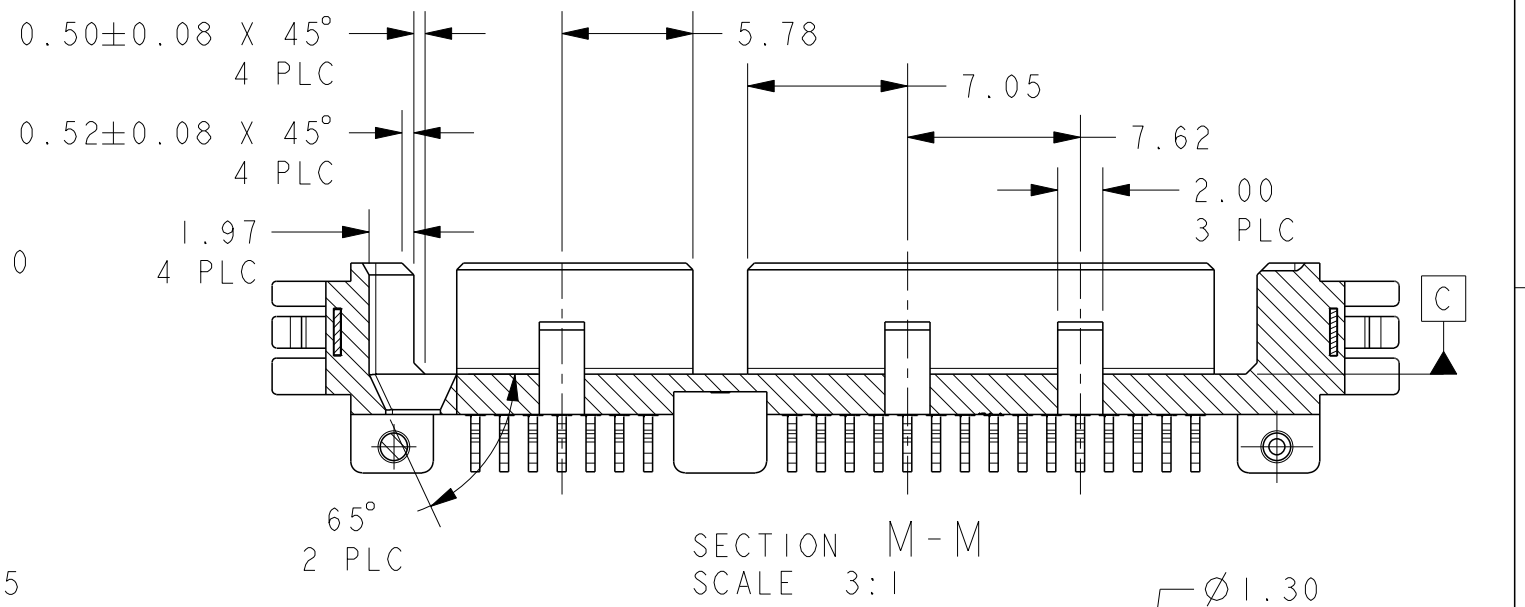
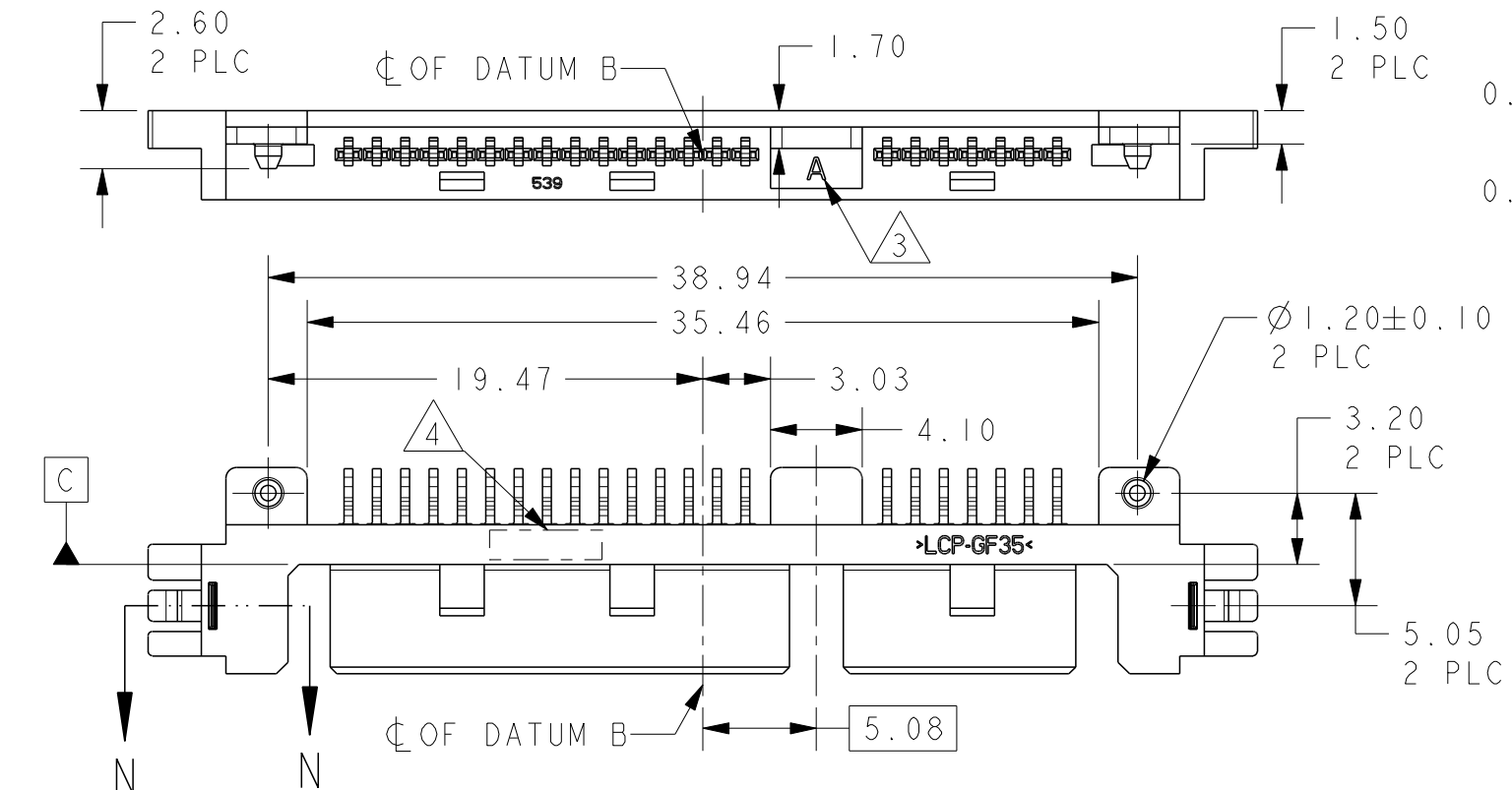
THIS DRAWING IS UNPUBLISHED.

RELEASED FOR PUBLICATION


© COPYRIGHT

ALL RIGHTS RESERVED.

LOC	DIST	REVISIONS					
		P	LTR	DESCRIPTION	DATE	DWN	APVD
DY	-			SEE SHEET 1			



PCB LAYOUT
RECOMMENDED PCB TOLERANCE: ±0.05
SCALE 2:1

THIS DRAWING IS A CONTROLLED DOCUMENT.		DWN JASON CHOW 05JAN09	 TE Connectivity	
DIMENSIONS: mm		CHK AP TAY		
TOLERANCES UNLESS OTHERWISE SPECIFIED:		APVD SE LEONG	NAME SLIMLITE SATA PLUG, 15+7P, SMT	
0 PLC ±-		PRODUCT SPEC 108-51052	SIZE A3	
1 PLC ±0.20		APPLICATION SPEC -	CAGE CODE 00779	DRAWING NO 1735783
2 PLC ±0.20		WEIGHT 1.43g	RESTRICTED TO -	
3 PLC ±0.20		CUSTOMER DRAWING	SCALE 3:1	SHEET 2 OF 3
4 PLC ±-			REV C1	
ANGLES ±2°				
FINISH				

P/N: 1735783-1, -2, -3 AS SHOWN

4

3

2

1

THIS DRAWING IS UNPUBLISHED.

RELEASED FOR PUBLICATION

© COPYRIGHT

ALL RIGHTS RESERVED.

LOC
DY

DIST
-

REVISIONS

P	LTR	DESCRIPTION	DATE	DWN	APVD
		SEE SHEET 1			

SECTION A-A

SECTION B-B
SCALE 2:1

CUSTOMER DE-REEL DIRECTION

PLASTIC REEL
DETAILS


CUSTOMER DE-REEL
DIRECTION

NOTES:

- ALL DIMENSIONS IN MM UNLESS OTHERWISE STATED.
- MATERIAL: PS CLEAR, 0.40±0.05 THICKNESS (BEFORE REFORM).
- GENERAL TOLERANCE: ±0.20MM UNLESS OTHERWISE STATED.
DRAFT ANGLE: 5° (MAX) UNLESS OTHERWISE STATED.
RADIUS: 0.25 (MAX) TYPE UNLESS OTHERWISE STATED.
- ACCUMULATED TOLERANCES FOR PITCHES: ±0.20MM FOR 10 PITCHES.
- DELIVER IN PLASTICS REEL: 757 POCKETS/REEL (700 COMPONENTS/REEL)

CONNECTOR WITH PICK-UP CAP
SCALE 2:1

P/N: 1735783-1, -2, -3 AS SHOWN

THIS DRAWING IS A CONTROLLED DOCUMENT.		DWN JASON CHOW 05JAN09	 TE Connectivity				
DIMENSIONS: mm		CHK AP TAY					
TOLERANCES UNLESS OTHERWISE SPECIFIED:		APVD SE LEONG	NAME SLIMLITE SATA PLUG, 15+7P, SMT				
0 PLC ±- 1 PLC ±0.20 2 PLC ±0.20 3 PLC ±0.20 4 PLC ±- ANGLES ±5° FINISH -		PRODUCT SPEC 108-51052	SIZE A3	CAGE CODE 00779	DRAWING NO 1735783	RESTRICTED TO -	
MATERIAL 2		APPLICATION SPEC -	WEIGHT 1.43g	SCALE 3:1	SHEET 3	OF 3	REV C1
CUSTOMER DRAWING							

1470-19 (3/11)