



Chipsmall Limited consists of a professional team with an average of over 10 year of expertise in the distribution of electronic components. Based in Hongkong, we have already established firm and mutual-benefit business relationships with customers from,Europe,America and south Asia,supplying obsolete and hard-to-find components to meet their specific needs.

With the principle of "Quality Parts,Customers Priority,Honest Operation,and Considerate Service",our business mainly focus on the distribution of electronic components. Line cards we deal with include Microchip,ALPS,ROHM,Xilinx,Pulse,ON,Everlight and Freescale. Main products comprise IC,Modules,Potentiometer,IC Socket,Relay,Connector.Our parts cover such applications as commercial,industrial, and automotives areas.

We are looking forward to setting up business relationship with you and hope to provide you with the best service and solution. Let us make a better world for our industry!



Contact us

Tel: +86-755-8981 8866 Fax: +86-755-8427 6832

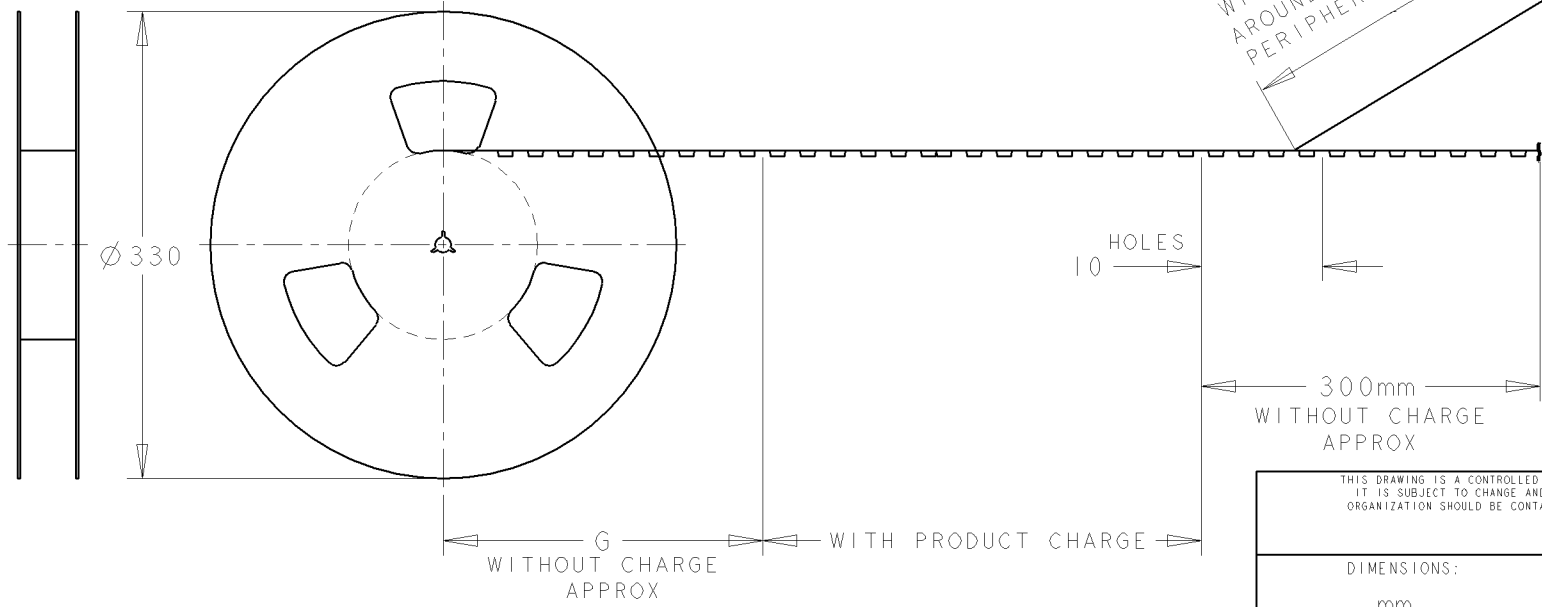
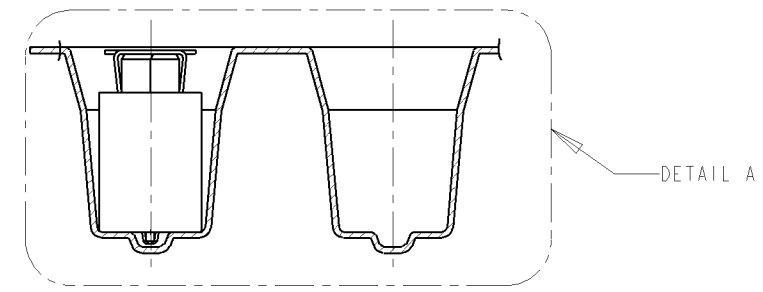
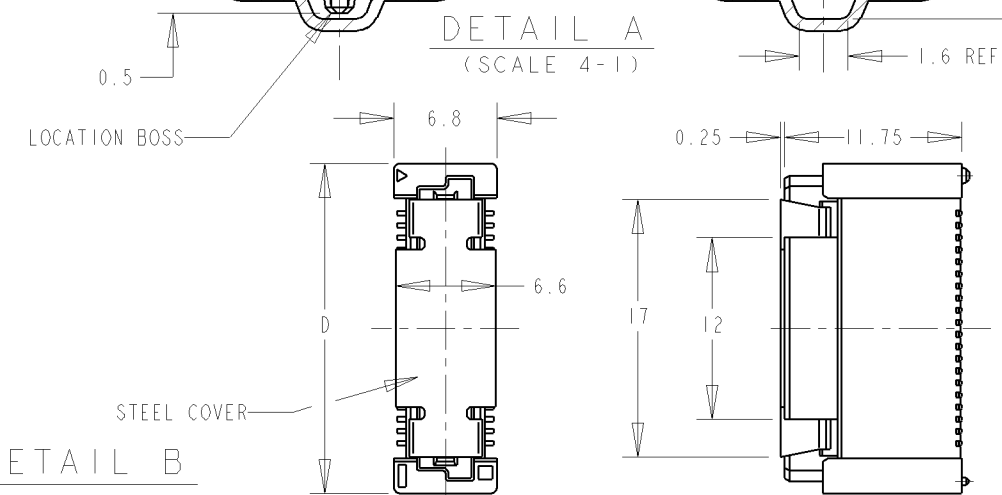
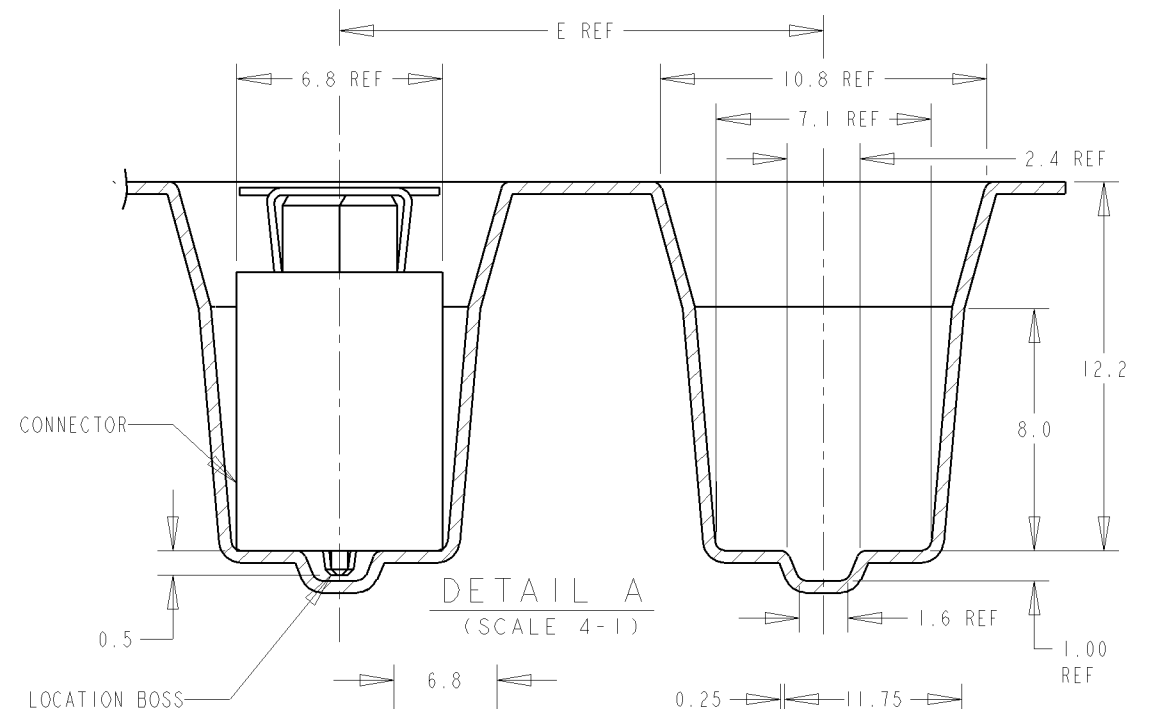
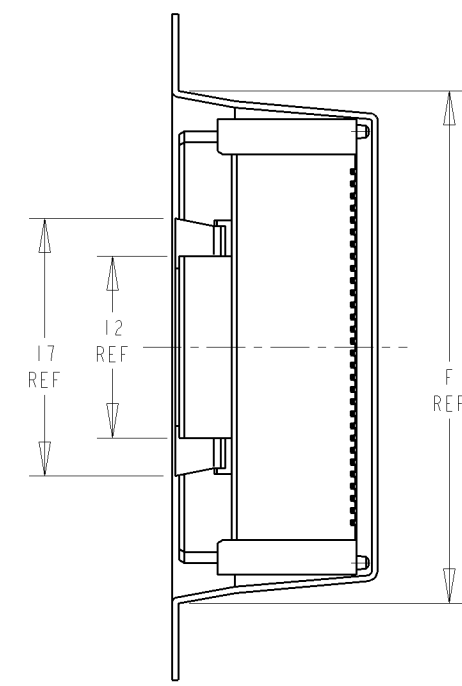
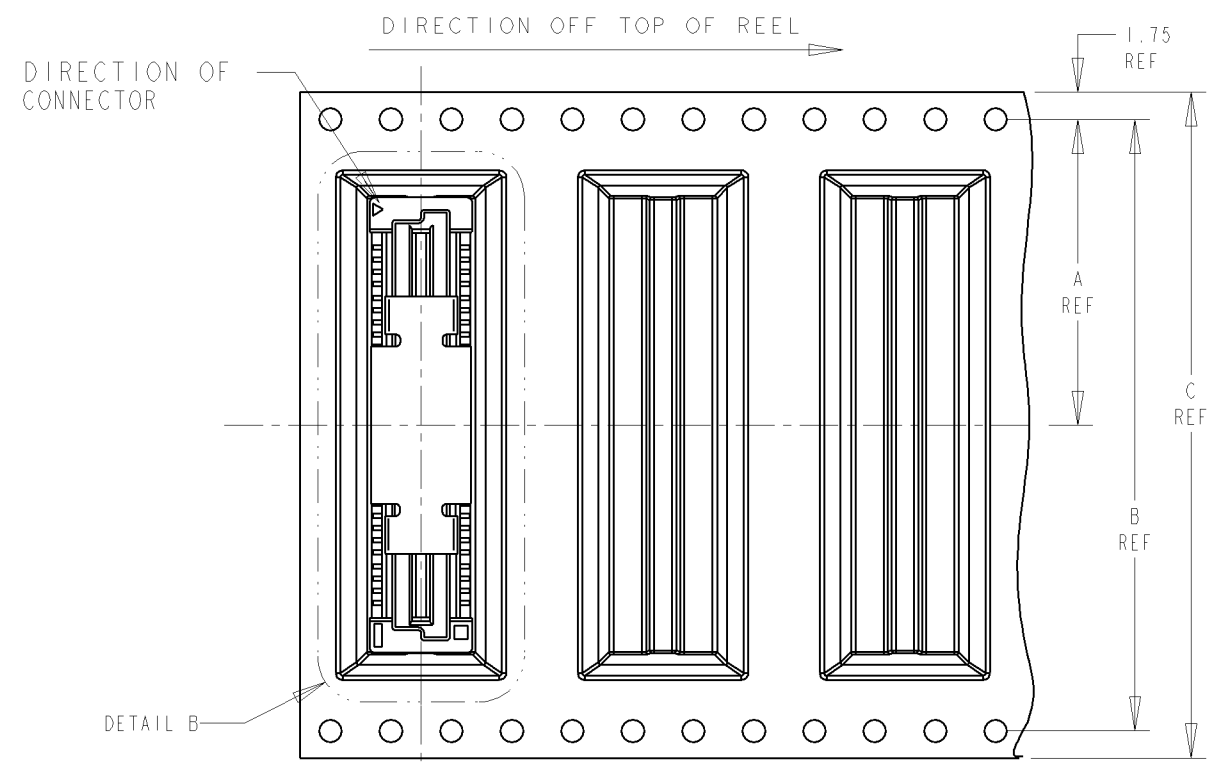
Email & Skype: info@chipsmall.com Web: www.chipsmall.com

Address: A1208, Overseas Decoration Building, #122 Zhenhua RD., Futian, Shenzhen, China



THIS DRAWING IS UNPUBLISHED. RELEASED FOR PUBLICATION .19
 BY AMP INCORPORATED. ALL RIGHTS RESERVED.

LOC		DIST		REVISIONS					
DY		-		P	LTR	DESCRIPTION	DATE	DWN	APVD
				A		NPR ECR-09-012357	1JUN09	LWY	SYJ



AVAILABLE	200	300	89.8	16	85.8	104	100.4	50.2	6-5179010-0	200	1-1735805-0
	200	300	81.8	16	77.8	104	100.4	50.2	5-5179010-9	180	1735805-9
	200	300	73.8	16	69.8	88	84.4	42.2	5-5179010-8	160	1735805-8
	200	300	65.8	16	61.8	88	84.4	42.2	5-5179010-6	140	1735805-6
	200	300	57.8	16	53.8	72	68.4	34.2	5-5179010-5	120	1735805-5
	200	300	49.8	16	45.8	72	68.4	34.2	5-5179010-4	100	1735805-4
	200	300	41.8	16	37.8	56	52.4	26.2	5-5179010-3	80	1735805-3
	200	300	33.8	16	29.8	44	40.4	20.2	5-5179010-2	60	1735805-2
	200	300	25.8	16	21.8	44	40.4	20.2	5-5179010-1	40	1735805-1
REMARKS	QTY	G	F	E	D	C	B	A	CONNECTOR P/N	POS	PART NO.

THIS DRAWING IS A CONTROLLED DOCUMENT FOR AMP INCORPORATED. IT IS SUBJECT TO CHANGE AND THE CONTROLLING ENGINEERING ORGANIZATION SHOULD BE CONTACTED FOR THE LATEST REVISION.

DWN WYLEE 1JUN09
 CHK YJ SEE
 APVD SF LEONG
 PRODUCT SPEC 108-5390
 APPLICATION SPEC 114-5254
 WEIGHT -

Tyco Electronics Corporation
 Singapore

NAME RECEPTACLE ASS'Y 13H TYPE (0.5 BOSS LENGTH) FOR FH 0.8mm B-T-B CONN. ON TAPING

SIZE A3 CAGE CODE 00779 DRAWING NO C-1735805

CUSTOMER DRAWING SCALE 2:1 SHEET 1 OF 1 REV A