



Chipsmall Limited consists of a professional team with an average of over 10 year of expertise in the distribution of electronic components. Based in Hongkong, we have already established firm and mutual-benefit business relationships with customers from,Europe,America and south Asia,supplying obsolete and hard-to-find components to meet their specific needs.

With the principle of “Quality Parts,Customers Priority,Honest Operation,and Considerate Service”,our business mainly focus on the distribution of electronic components. Line cards we deal with include Microchip,ALPS,ROHM,Xilinx,Pulse,ON,Everlight and Freescale. Main products comprise IC,Modules,Potentiometer,IC Socket,Relay,Connector.Our parts cover such applications as commercial,industrial, and automotives areas.

We are looking forward to setting up business relationship with you and hope to provide you with the best service and solution. Let us make a better world for our industry!



Contact us

Tel: +86-755-8981 8866 Fax: +86-755-8427 6832

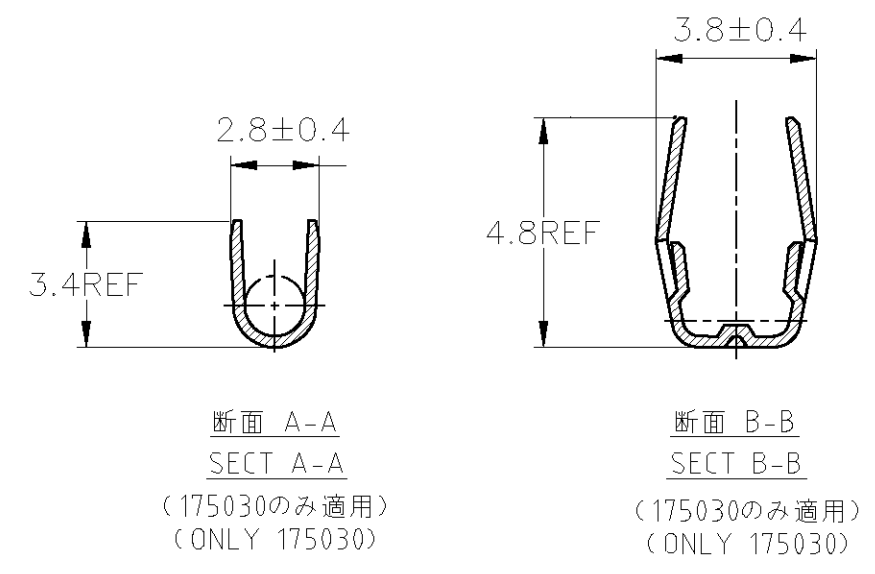
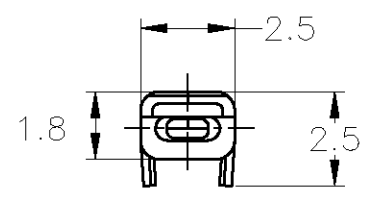
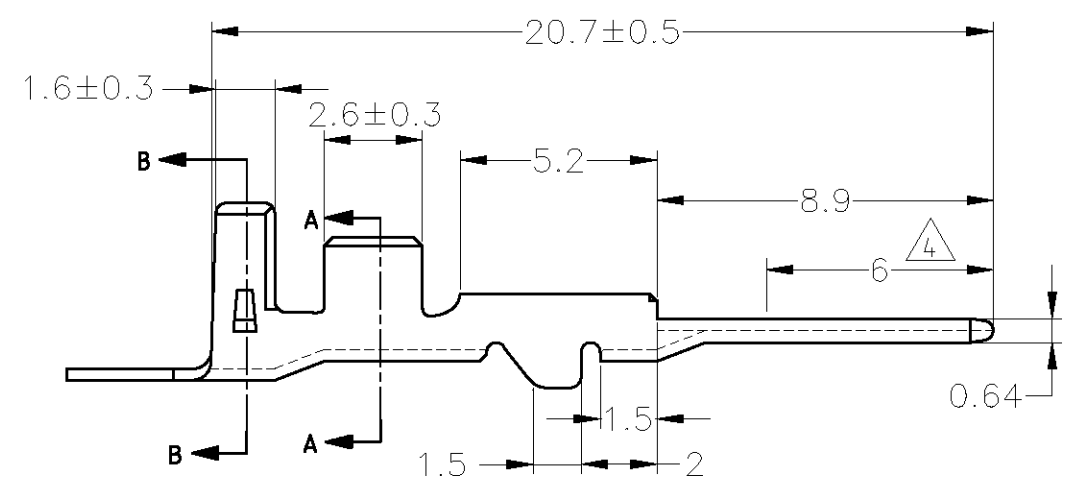
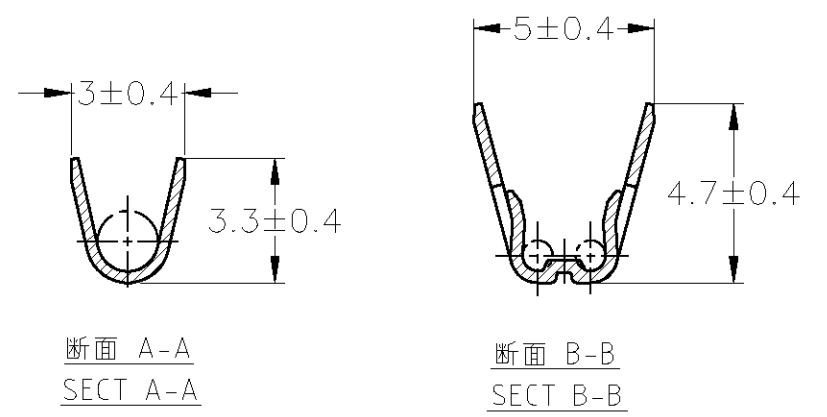
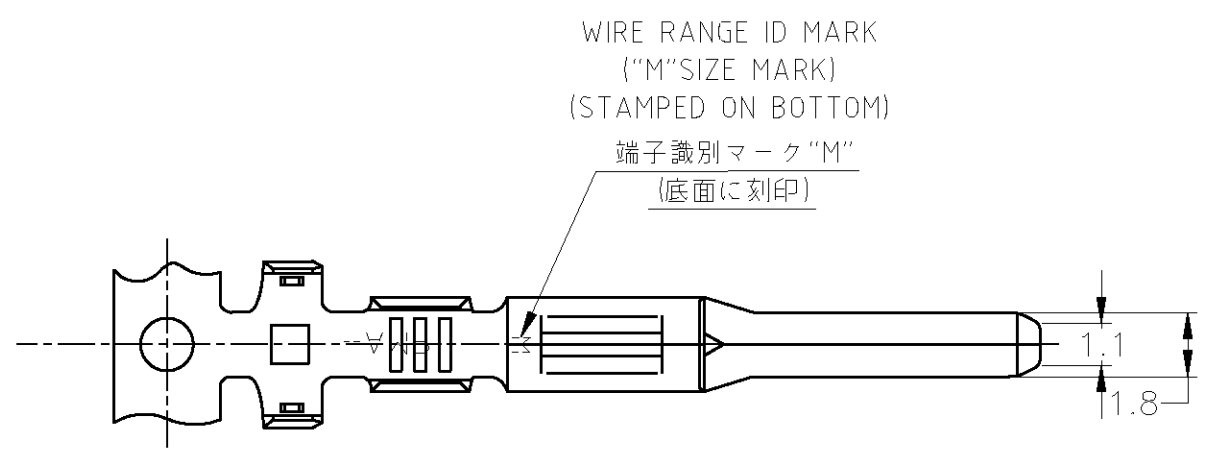
Email & Skype: info@chipsmall.com Web: www.chipsmall.com

Address: A1208, Overseas Decoration Building, #122 Zhenhua RD., Futian, Shenzhen, China



THIS DRAWING IS UNPUBLISHED. RELEASED FOR PUBLICATION
 © COPYRIGHT - By - ALL RIGHTS RESERVED.

LOC	DIST	REVISIONS					
J	-	P	LTR	DESCRIPTION	DATE	DWN	APVD
			E3	REVISED	ECR-12-010663	15JUN2012	TS KB



- 1. 製品規格; 108-5231, 108-5264
- 2. 嵌合相手端子型番; 173631 他
- 3. 圧着規格; 114-5092
- △4 部分金めっき, 他はニッケルめっき

- 1. SPEC; 108-5231, 108-5264
- 2. RECEPTACLE CONTACT; 173631 etc
- 3. APPLICATION SPECIFICATION; 114-5092
- △4 SELECTIVE GOLD PLATING, REMAINDER NICKEL PLATING

SEE DRAWING 173645-5			173645-5
175030-3	部分金めっき SELECTIVE GOLD	リン青銅 板厚0.32 PHOS BRO. t0.32	173645-3
175030-2	錫めっき済み PRE-TINNED	リン青銅 板厚0.32 PHOS BRO. t0.32	173645-2
175030-1	錫めっき済み PRE-TINNED	黄銅 板厚0.32 BRASS t0.32	173645-1
パラ端子型番 L/P NUMBER	仕上 FINISH	材料 MATERIAL	型番 PART NUMBER

TOLERANCES UNLESS OTHERWISE SPECIFIED: 一般公差	
10 ₂	±0.2
30 ₂ > 10	±0.25
100 ₂ > 30	±0.3
ANGLE	±3°

THIS DRAWING IS A CONTROLLED DOCUMENT.	
DIMENSIONS: 単位: 耗 mm	TOLERANCES UNLESS OTHERWISE SPECIFIED: 一般公差
0 PLC ±-	1 PLC ±-
2 PLC ±-	3 PLC ±-
4 PLC ±-	ANGLES ±-
MATERIAL 材料	FINISH 仕上
SEE TABLE	SEE TABLE

DWN M.SUGAWARA 16MAY08	STE TE Connectivity		070 SERIES TAB CONTACT	
CHK T.SHINOHARA 16MAY08				
APVD K.BETSUI 16MAY08				
PRODUCT SPEC 製品規格 APPLICATION SPEC 取付適用規格				
NAME 名称	SIZE	CAGE CODE	DRAWING NO 番号	RESTRICTED TO
SEE NOTE	A3	00779	C-173645	-
WEIGHT -	CUSTOMER DRAWING		SCALE 尺度 5:1	SHEET 1 OF 1
				REV E3