



Chipsmall Limited consists of a professional team with an average of over 10 year of expertise in the distribution of electronic components. Based in Hongkong, we have already established firm and mutual-benefit business relationships with customers from,Europe,America and south Asia,supplying obsolete and hard-to-find components to meet their specific needs.

With the principle of “Quality Parts,Customers Priority,Honest Operation,and Considerate Service”,our business mainly focus on the distribution of electronic components. Line cards we deal with include Microchip,ALPS,ROHM,Xilinx,Pulse,ON,Everlight and Freescale. Main products comprise IC,Modules,Potentiometer,IC Socket,Relay,Connector.Our parts cover such applications as commercial,industrial, and automotives areas.

We are looking forward to setting up business relationship with you and hope to provide you with the best service and solution. Let us make a better world for our industry!



Contact us

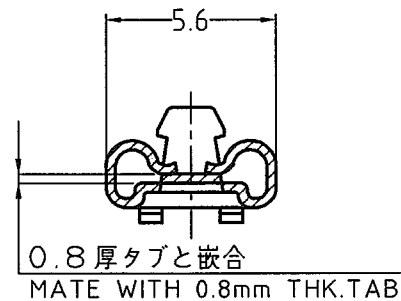
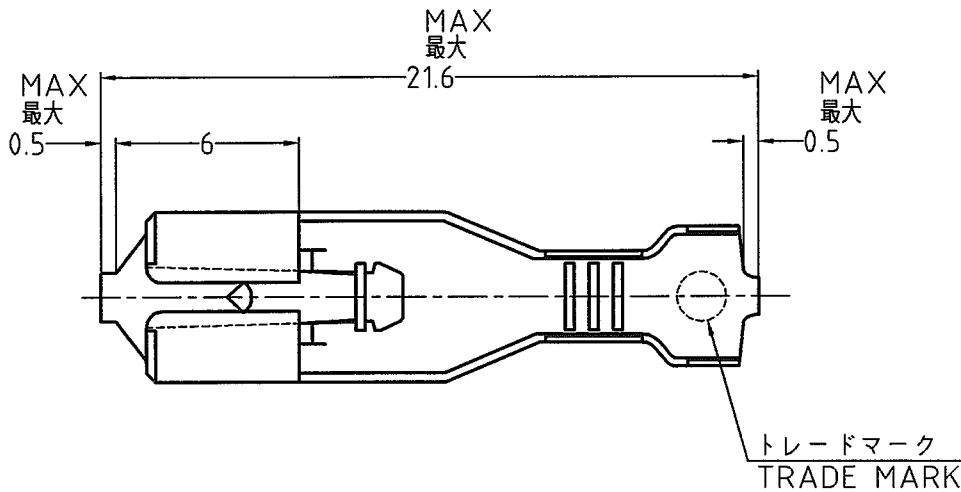
Tel: +86-755-8981 8866 Fax: +86-755-8427 6832

Email & Skype: info@chipsmall.com Web: www.chipsmall.com

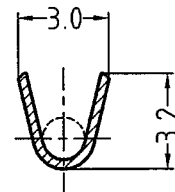
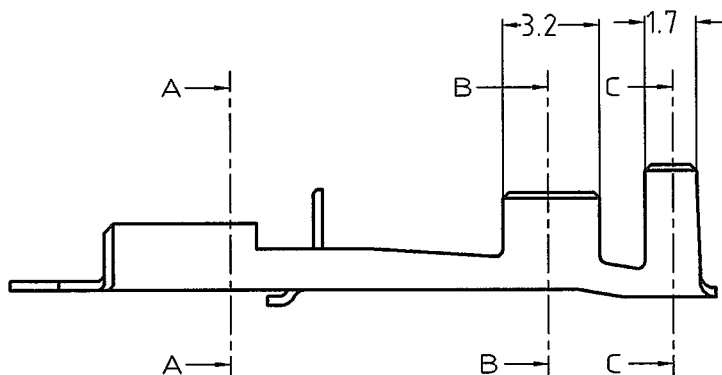
Address: A1208, Overseas Decoration Building, #122 Zhenhua RD., Futian, Shenzhen, China



LOC	DIST	REVISIONS			DATE	DWN	APVD
J	—	P	LTR	DESCRIPTION			
		B		REDRAWN WITH CHANGE FJ00-2151-02	10OCT2002	T.H	M.S



断面 A-A
SECT



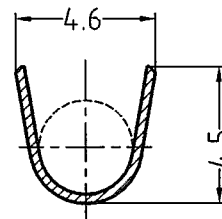
断面 B-B
SECT

注記 ;

- 適用ハウジング型番 : タイコジャパン製品は無し
- 本コンタクト単体での使用に際しては、ロックレバーの変形に注意して下さい。

NOTES;

- APPLICABLE HOUSING P/N : NONE IN TYCO JAPAN
- PLEASE TAKE CARE THE DEFORMATION OF LOCKING LEVER



断面 C-C
SECT

— / —	錫めっき済黄銅 0.3t PRE-TIN BRASS 0.3t	173691-1
ばら状端子型番 LOOSE PIECE P/N	材料 MATERIAL	型番 P/N
抱合電線断面積 WIRE RANGE 0.51~1.38mm ² (AWG #20~#16)	被覆外径 INSULATION DIA	φ 1.9~φ 3.4mm

THIS DRAWING IS UNPUBLISHED. ALL RIGHTS RESERVED. BY TYCO ELECTRONICS CORPORATION. COPYRIGHT

DIMENSIONS: 単位: 耗 MM	DWN	T.HATANO	10OCT2002	MATERIAL	SEE TABLE	FINISH	仕上
	CHK	M.SUZUKI	10OCT2002	Tyco Electronics AMP K.K. Kawasaki, Japan			
	APVD	M.SHINDO	10OCT2002				
	TOLERANCES UNLESS OTHERWISE SPECIFIED: 一般公差	PRODUCT SPEC 製品規格	NAME 名称 187 SERIES POSITIVE LOCK (MARK-II) REC. FOR 0.8t TAB				
±0.4	APPLICATION SPEC 取付適用規格	114-5041		SIZE	A4	CAGE CODE	00779
—	WEIGHT	—		DRAWING NO 番号	C-173691		RESTRICTED TO
—	CUSTOMER DRAWING			SCALE 尺度	4:1	SHEET	1 OF 1
—	AMP 1469-35 REV 31MAR2000			REV	B		