



Chipsmall Limited consists of a professional team with an average of over 10 year of expertise in the distribution of electronic components. Based in Hongkong, we have already established firm and mutual-benefit business relationships with customers from,Europe,America and south Asia,supplying obsolete and hard-to-find components to meet their specific needs.

With the principle of “Quality Parts,Customers Priority,Honest Operation,and Considerate Service”,our business mainly focus on the distribution of electronic components. Line cards we deal with include Microchip,ALPS,ROHM,Xilinx,Pulse,ON,Everlight and Freescale. Main products comprise IC,Modules,Potentiometer,IC Socket,Relay,Connector.Our parts cover such applications as commercial,industrial, and automotives areas.

We are looking forward to setting up business relationship with you and hope to provide you with the best service and solution. Let us make a better world for our industry!



Contact us

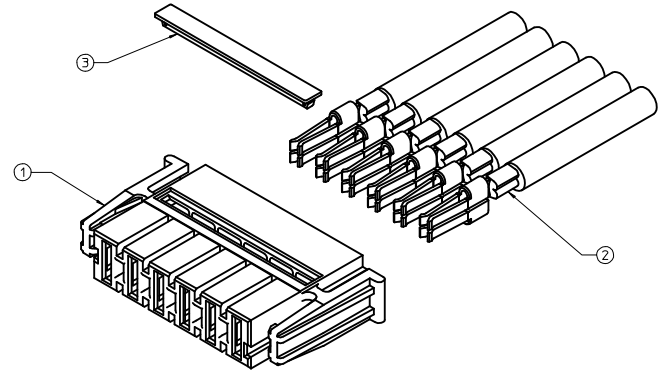
Tel: +86-755-8981 8866 Fax: +86-755-8427 6832

Email & Skype: info@chipsmall.com Web: www.chipsmall.com

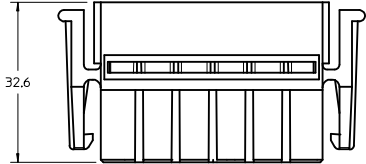
Address: A1208, Overseas Decoration Building, #122 Zhenhua RD., Futian, Shenzhen, China



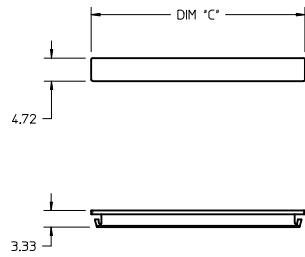
CKT SIZE	① MAIN HOUSING	② POWER TERMINAL	③ TPA	DIMENSION " A "	DIMENSION " B "	DIMENSION " C "
	MATERIAL: PBT, UNFILLED	MATERIAL: COPPER ALLOY FINISH: TIN OVER NICKEL W/SELECT GOLD	MATERIAL: PBT, FILLED			
2P	172509-0222	173693-****	46708-3200	15.32	32.66	13.65
3P	172509-0223	173693-****	46708-3300	22.82	40.16	21.15
4P	172509-0224	173693-****	46708-3400	30.32	47.66	28.65
5P	172509-0225	173693-****	46708-3500	37.82	55.16	36.15
6P	172509-0226	173693-****	46708-3600	45.32	62.66	43.65



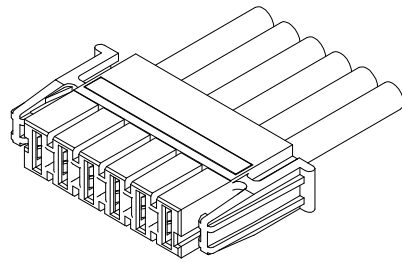
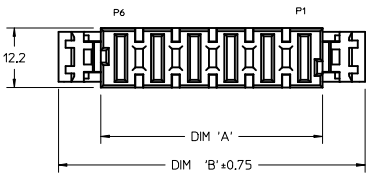
MAIN HOUSING



TPA



EXPLODED VIEW

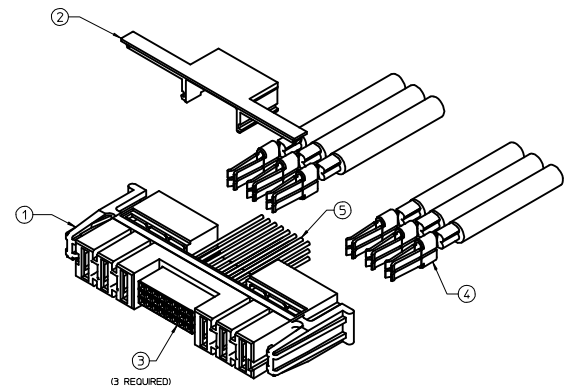


NOTES:

1. SEE CHART FOR MATERIAL DETAILS
2. PART MATES TO MOLEX PLUG SERIES 172452
3. ASSEMBLY SHOWN FOR REFERENCE ONLY. EACH ITEM HAS TO BE ORDERED SEPARATELY.
4. SEE SD-173693-001 FOR POWER TERMINAL DETAILS.

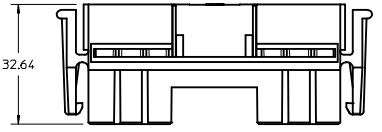
CHG TRML P/N EC NO: UCP2016-4071 DRWN: JSCHAFFER 2016/04/18 CHKD: APPR: BPISZCZOR 2016/10/03 REV:	QUALITY SYMBOLS	GENERAL TOLERANCES (UNLESS SPECIFIED)	DIMENSION STYLE	SCALE	DESIGN UNITS	THIRD ANGLE PROJECTION
	▽=0	4 PLACES ±--- ±---	MM ONLY	2:1	METRIC	ASSEMBLY
	▽=0	3 PLACES ±--- ±---	INCH			TEN60 POWER ONLY
	▽=0	2 PLACES ±0.13 ±---				2-6 CKTS
	1 PLACE ±0.25 ±---	ANGULAR ±1/2°	SEE CHART			molex
	0 PLACE ±--- ±---	DRAFT WHERE APPLICABLE MUST REMAIN WITHIN DIMENSIONS				DOCUMENT NO. SD-172509-001
						SHEET NO. 1 OF 1

M	CKT SIZE	①	②	③	④	⑤	DIMENSION 'A'	DIMENSION 'B'	DIMENSION 'C'	DIMENSION 'D'
		MAIN HOUSING	TPA	SIGNAL HOUSING	POWER TERMINAL	SIGNAL TERMINAL				
L	2P-12S	172510-3212	46708-3212	46709-0004	173693-****	70058-****	45.76	28.4	26.48	10.67
L	2P-18S	172510-3218	46708-3218	46709-0006	173693-****	70058-****	50.84	33.5	31.80	15.75
L	2P-24S	172510-3224	46708-3224	46709-0008	173693-****	70058-****	55.92	38.6	36.85	20.83
K	4P-12S	172510-3412	46708-3412	46709-0004	173693-****	70058-****	60.76	43.4	41.48	10.67
K	4P-18S	172510-3418	46708-3418	46709-0006	173693-****	70058-****	65.84	48.5	46.80	15.75
K	4P-24S	172510-3424	46708-3424	46709-0008	173693-****	70058-****	70.92	53.6	51.85	20.83
J	6P-12S	172510-3612	46708-3612	46709-0004	173693-****	70058-****	75.76	58.4	56.48	10.67
J	6P-18S	172510-3618	46708-3618	46709-0006	173693-****	70058-****	80.84	63.5	61.85	15.75
J	6P-24S	172510-3624	46708-3624	46709-0008	173693-****	70058-****	85.92	68.6	66.93	20.83

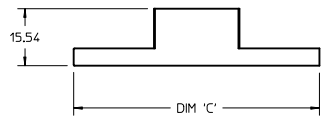


EXPLODED VIEW

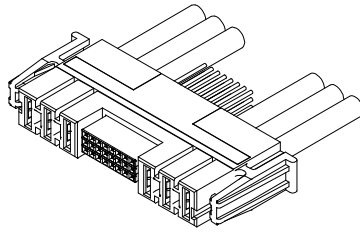
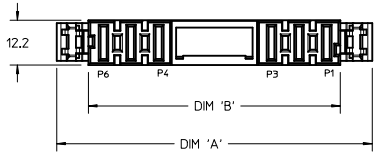
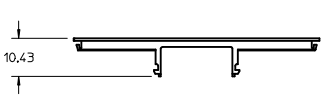
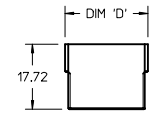
MAIN HOUSING



TPA



SIGNAL HOUSING

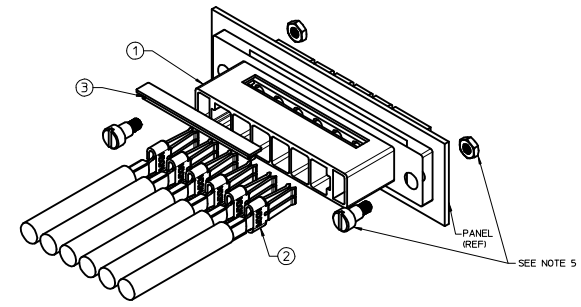


NOTES:

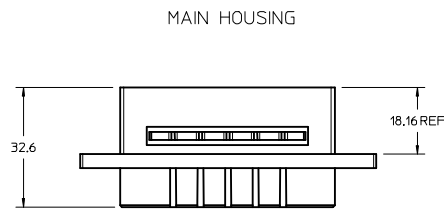
1. SEE CHART FOR MATERIAL DETAILS
2. PART MATES TO MOLEX PLUG SERIES 172453
3. ASSEMBLY SHOWN FOR REFERENCE ONLY. EACH ITEM HAS TO BE ORDERED SEPARATELY.
4. SEE SD-173693-001 FOR POWER TERMINAL DETAILS
5. SEE SD-70058-*** FOR SIGNAL TERMINAL DETAILS

CHG TRML P/N EEC NO: UCP2016-4071 DRAWN: JSCHAFFER 2016/04/18 CHKD: CHYD APPR: BPISZCZOR 2016/10/03	QUALITY SYMBOLS ▽=0 ▽=0 ▽=0	GENERAL TOLERANCES (UNLESS SPECIFIED) mm INCH		DIMENSION STYLE MM ONLY	SCALE 1.5:1	DESIGN UNITS METRIC	THIRD ANGLE PROJECTION
		4 PLACES ±--- ±--- 3 PLACES ±--- ±--- 2 PLACES ±0.13 ±--- 1 PLACE ±0.25 ±--- 0 PLACE ±--- ±---	DRAWN BY JSCHAFFER	DATE 2014/02/17	TITLE TEN60 WIRE TO BOARD POWER / SIGNAL MIX	APPROVED BY BPISZCZOR	DATE 2016/10/03
DRAFT WHERE APPLICABLE MUST REMAIN WITHIN DIMENSIONS		ANGULAR ±1/2°		SEE CHART		DOCUMENT NO.	
THIS DRAWING CONTAINS INFORMATION THAT IS PROPRIETARY TO MOLEX INCORPORATED AND SHOULD NOT BE USED WITHOUT WRITTEN PERMISSION							

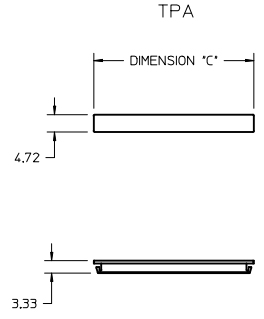
CKT SIZE	① MAIN HOUSING	② POWER TERMINAL	③ TPA	DIMENSION 'A'	DIMENSION 'B'	DIMENSION 'C'	DIMENSION 'D'
	MATERIAL: PBT, FILLED	MATERIAL: COPPER ALLOY FINISH: TIN OVER NICKEL W/ SELECT GOLD	MATERIAL: PBT, FILLED				
2P	172511-0002	173693-****	46708-3200	50,71	41,91	13,65	30,48
3P	172511-0003	173693-****	46708-3300	58,21	49,41	21,15	37,98
4P	172511-0004	173693-****	46708-3400	65,71	56,91	28,65	45,48
5P	172511-0005	173693-****	46708-3500	73,21	64,41	36,15	52,98
6P	172511-0006	173693-****	46708-3600	80,71	71,91	43,65	60,48



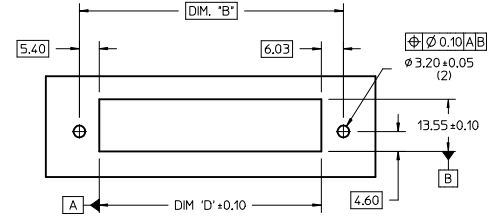
EXPLODED VIEW



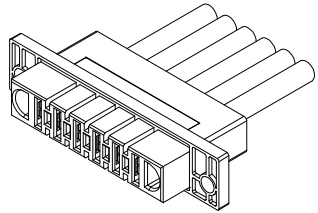
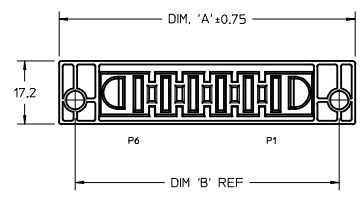
MAIN HOUSING



TPA



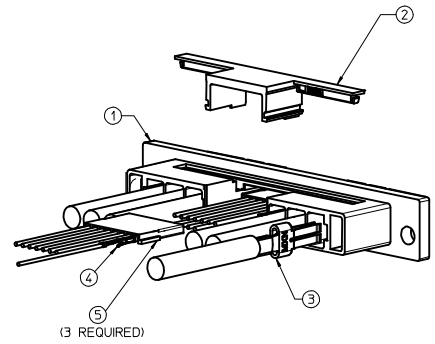
PANEL CUTOUT
(FRONT VIEW)



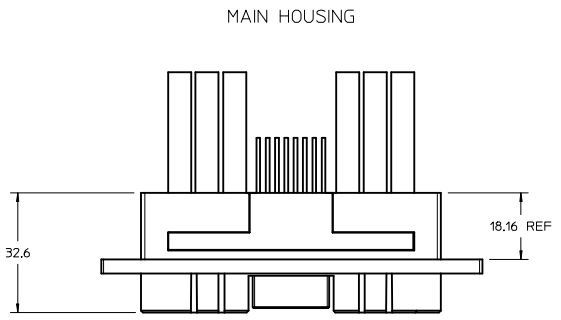
- NOTES:
- SEE CHART FOR MATERIAL DETAILS.
 - PART MATES TO MOLEX PLUG SERIES 172457.
 - ASSEMBLY SHOWN FOR REFERENCE ONLY. EACH ITEM HAS TO BE ORDERED SEPARATELY.
 - SEE SD-173693-001 FOR POWER TERMINAL DETAILS.
 - PANEL MOUNTING HARDWARE: (2) M3 X 0.5 X 4.00 LG PRECISION SHOULDER SCREWS AND (2)M3 X 0.5 HEX NUTS TO BE PURCHASED SEPARATELY BY CUSTOMER.

CHG TRML P/N EC NO: UCP2016-4071 DRAWN: JSCHAFFER 2016/04/18 CHKD: APPR: BPSZCZOR 2016/10/03	QUALITY SYMBOLS ▽=0 ▽=0 ▽=0	GENERAL TOLERANCES (UNLESS SPECIFIED)		DIMENSION STYLE MM ONLY		SCALE 1.5:1	DESIGN UNITS METRIC	THIRD ANGLE PROJECTION
		mm	INCH	DRAWN BY JSCHAFFER	DATE 2014/01/22	TITLE TEN60 RECEPTACLE ASSY 2-6 CIRCUIT PANEL TO BOARD		
		4 PLACES ± 0.13	± 0.13	3 PLACES ± 0.25	± 0.25	APPROVED BY BPSZCZOR	DATE 2016/10/03	DOCUMENT NO. SD-172511-001
		1 PLACE ± 0.25	± 0.25	0 PLACE ± 0.25	± 0.25	MATERIAL NO. SEE CHART		SHEET NO. 1 OF 1
DRAFT WHERE APPLICABLE MUST REMAIN WITHIN DIMENSIONS		ANGULAR ± 1/2°		THIS DRAWING CONTAINS INFORMATION THAT IS PROPRIETARY TO MOLEX INCORPORATED AND SHOULD NOT BE USED WITHOUT WRITTEN PERMISSION				

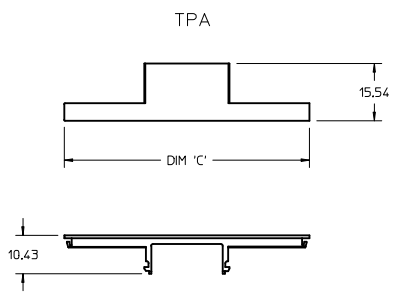
CKT SIZE	① HOUSING	② TPA	③ POWER TERMINAL	④ SIGNAL TERMINAL	⑤ SIGNAL HOUSING (3 OF EA REQ'D)	DIMENSION 'A'	DIMENSION 'B'	DIMENSION 'C'	DIMENSION 'D'	DIMENSION 'E'
	MATERIAL: PBT, FILLED	MATERIAL: PBT, FILLED	MATERIAL: COPPER ALLOY FINISH: TIN OVER NICKEL W/SELECT GOLD	MATERIAL: PHOS. BRONZE FINISH: TIN OVER NICKEL W/SELECT GOLD	MATERIAL: NYLON, UNFILLED					
2P-12S	172512-3212	46708-3212	173693-****	70058-****	46709-0004	63.81	55.01	26.48	12.37	43.74
2P-18S	172512-3218	46708-3218	173693-****	70058-****	46709-0006	68.89	60.09	31.80	17.44	48.82
2P-24S	172512-3224	46708-3224	173693-****	70058-****	46709-0008	73.97	65.17	36.85	22.53	53.90
4P-12S	172512-3412	46708-3412	173693-****	70058-****	46709-0004	78.81	70.01	41.48	12.37	58.74
4P-18S	172512-3418	46708-3418	173693-****	70058-****	46709-0006	83.89	75.09	46.80	17.44	63.82
4P-24S	172512-3424	46708-3424	173693-****	70058-****	46709-0008	88.97	80.17	51.85	22.53	68.90
6P-12S	172512-3612	46708-3612	173693-****	70058-****	46709-0004	93.81	85.01	55.73	12.37	73.74
6P-18S	172512-3618	46708-3618	173693-****	70058-****	46709-0006	98.89	90.09	61.85	17.44	78.82
6P-24S	172512-3624	46708-3624	173693-****	70058-****	46709-0008	103.97	95.17	66.93	22.53	83.90



EXPLODED VIEW

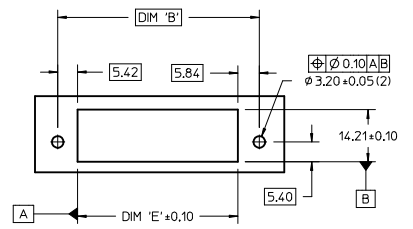
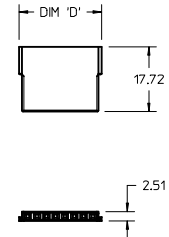


MAIN HOUSING

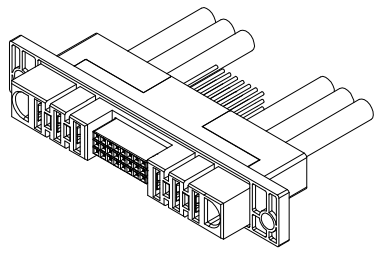
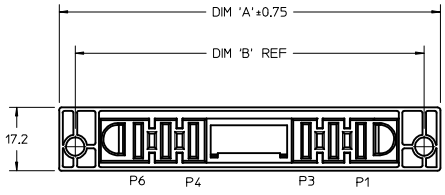


TPA

SIGNAL HOUSING



PANEL CUTOUT
(FRONT VIEW)



- NOTES:
- SEE CHART FOR MATERIAL DETAILS
 - PART MATES TO MOLEX PLUG SERIES 172458.
 - ASSEMBLY SHOWN FOR REFERENCE ONLY. EACH ITEM HAS TO BE ORDERED SEPARATELY.
 - PANEL MOUNTING HARDWARE: (2) M3 X 0.5 X 4.00 LG PRECISION SHOULDER SCREWS AND (2) M3 X 0.5 HEX NUTS TO BE PURCHASED SEPARATELY BY CUSTOMER.
 - SEE SD-173693-001 FOR POWER TERMINAL DETAILS.
 - SEE SD-70058-*** FOR SIGNAL TERMINAL DETAILS.

CHG TRMNL P/N EC NO: UCP2016-4071 DRAWN: JSCHAER 2016/04/18 CHKD: APPR: BPISZCZOR 2016/10/03	QUALITY SYMBOLS	GENERAL TOLERANCES (UNLESS SPECIFIED)	DIMENSION STYLE	SCALE	DESIGN UNITS	THIRD ANGLE PROJECTION																		
	$\nabla=0$ $\nabla=0$ $\nabla=0$	<table border="1"> <thead> <tr> <th></th> <th>mm</th> <th>INCH</th> </tr> </thead> <tbody> <tr> <td>4 PLACES</td> <td>±---</td> <td>±---</td> </tr> <tr> <td>3 PLACES</td> <td>±---</td> <td>±---</td> </tr> <tr> <td>2 PLACES</td> <td>±0.13</td> <td>±---</td> </tr> <tr> <td>1 PLACE</td> <td>±0.25</td> <td>±---</td> </tr> <tr> <td>0 PLACE</td> <td>±---</td> <td>±---</td> </tr> </tbody> </table>		mm	INCH	4 PLACES	±---	±---	3 PLACES	±---	±---	2 PLACES	±0.13	±---	1 PLACE	±0.25	±---	0 PLACE	±---	±---	MM ONLY	1.5:1	METRIC	
		mm	INCH																					
	4 PLACES	±---	±---																					
3 PLACES	±---	±---																						
2 PLACES	±0.13	±---																						
1 PLACE	±0.25	±---																						
0 PLACE	±---	±---																						
DESCRIPTION	APPROVED BY	DATE	TITLE	TEN60 RECEIPT ASSY POWER/SIGNAL MIXED PANEL-TO-BOARD molex																				
DRAFT WHERE APPLICABLE MUST REMAIN WITHIN DIMENSIONS	DATE	2016/10/03	SEE CHART MATERIAL NO.	DOCUMENT NO. SD-172512-001	SHEET NO. 1 OF 1																			