



Chipsmall Limited consists of a professional team with an average of over 10 year of expertise in the distribution of electronic components. Based in Hongkong, we have already established firm and mutual-benefit business relationships with customers from,Europe,America and south Asia,supplying obsolete and hard-to-find components to meet their specific needs.

With the principle of “Quality Parts,Customers Priority,Honest Operation,and Considerate Service”,our business mainly focus on the distribution of electronic components. Line cards we deal with include Microchip,ALPS,ROHM,Xilinx,Pulse,ON,Everlight and Freescale. Main products comprise IC,Modules,Potentiometer,IC Socket,Relay,Connector.Our parts cover such applications as commercial,industrial, and automotives areas.

We are looking forward to setting up business relationship with you and hope to provide you with the best service and solution. Let us make a better world for our industry!



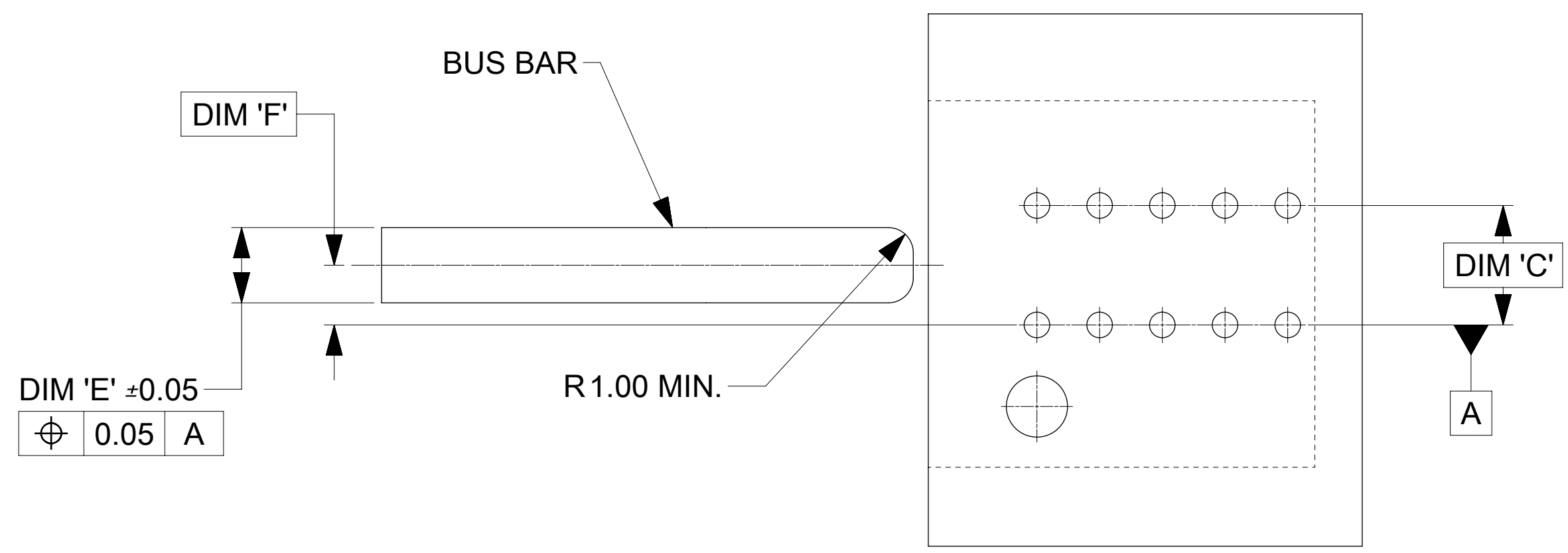
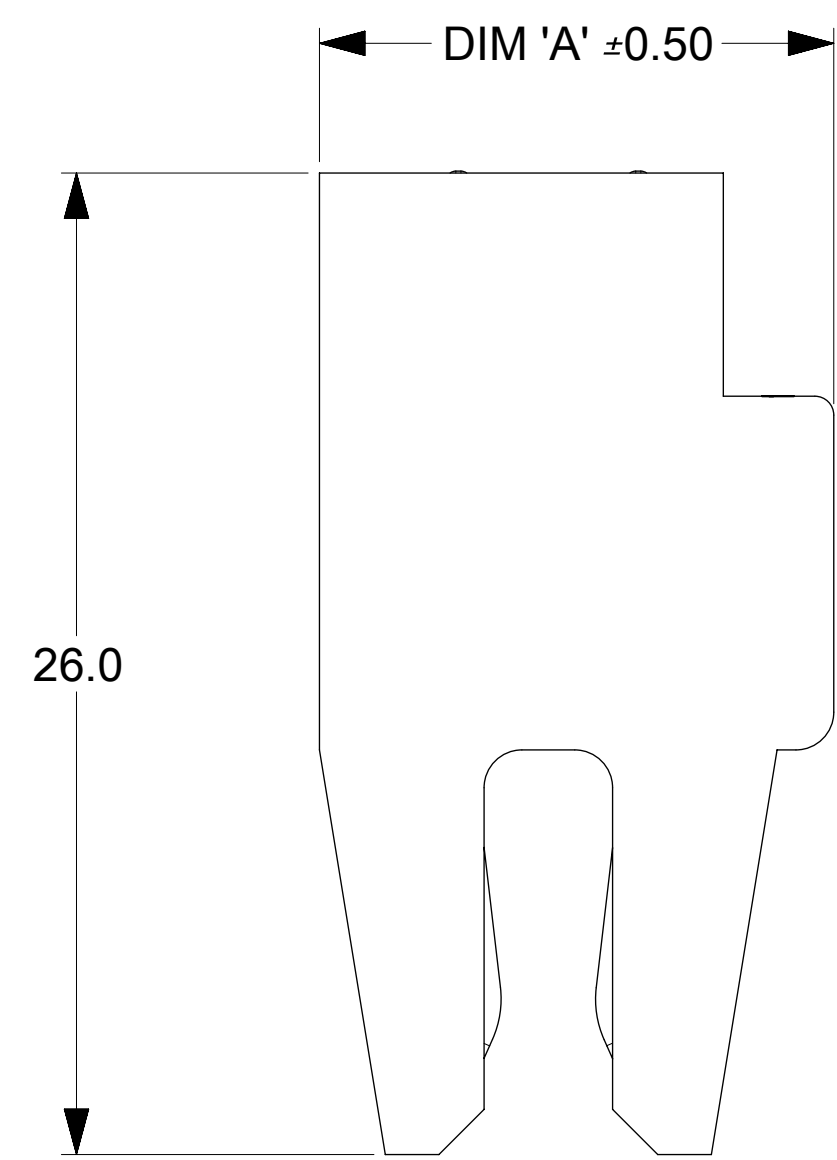
Contact us

Tel: +86-755-8981 8866 Fax: +86-755-8427 6832

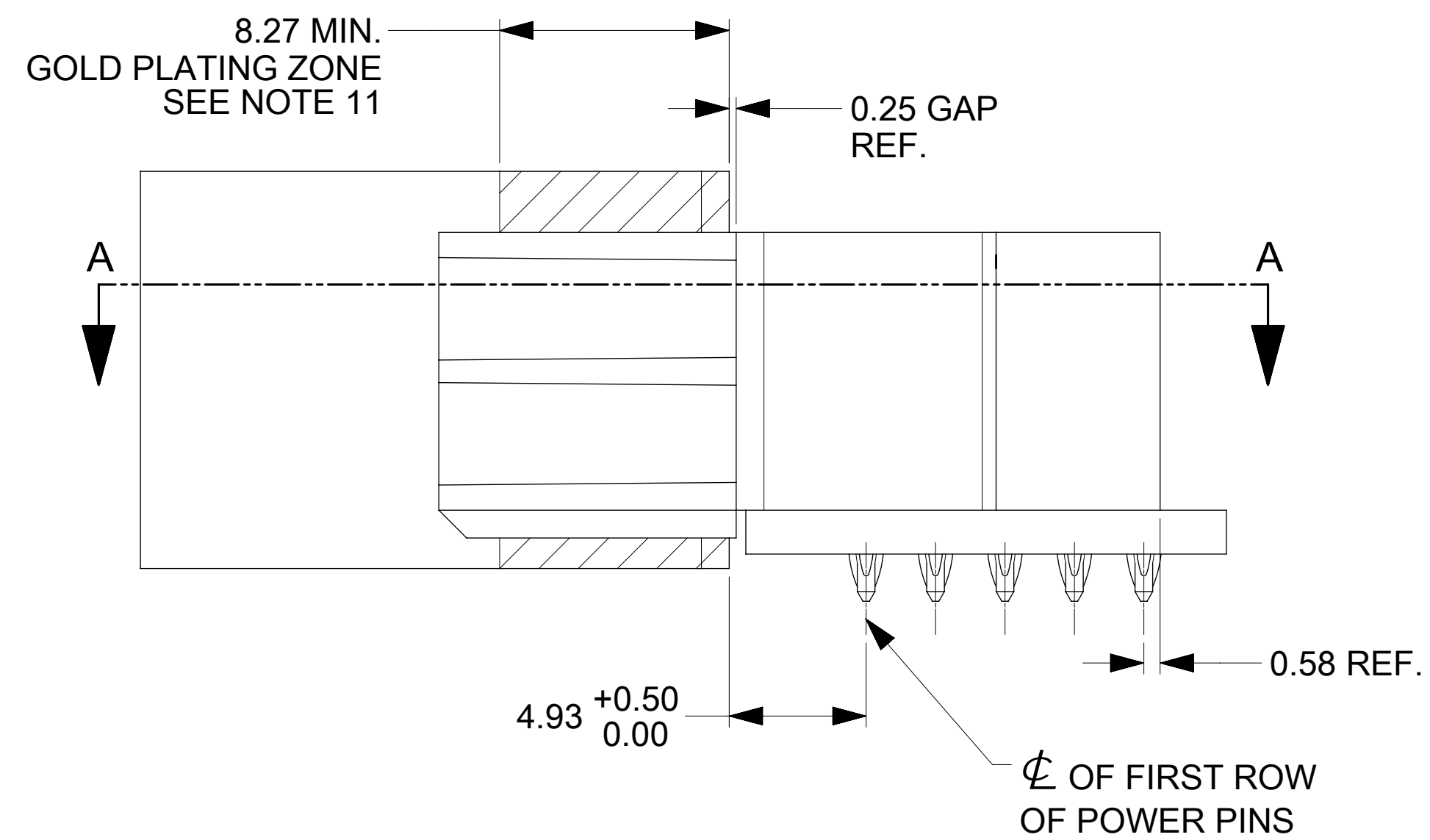
Email & Skype: info@chipsmall.com Web: www.chipsmall.com

Address: A1208, Overseas Decoration Building, #122 Zhenhua RD., Futian, Shenzhen, China



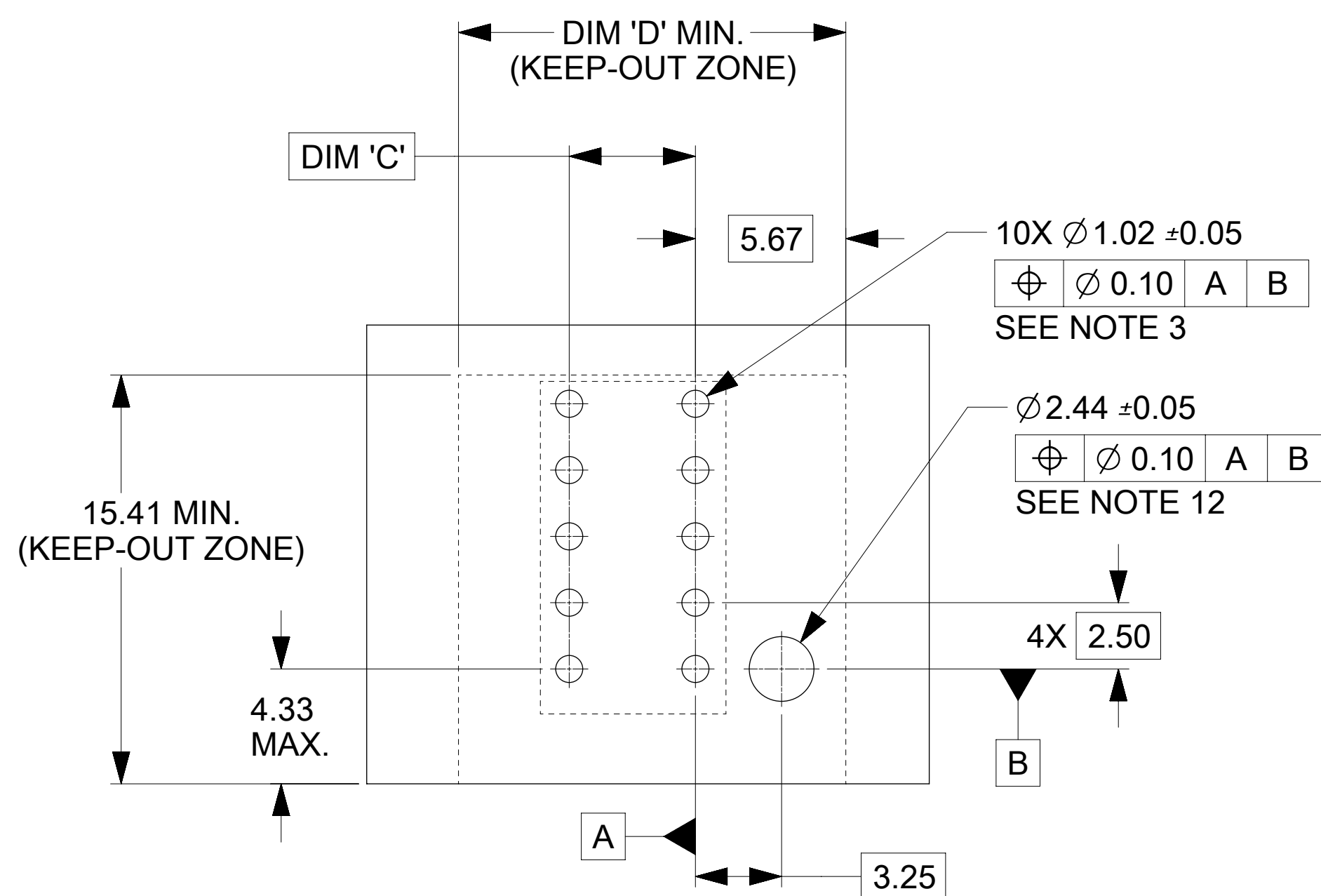
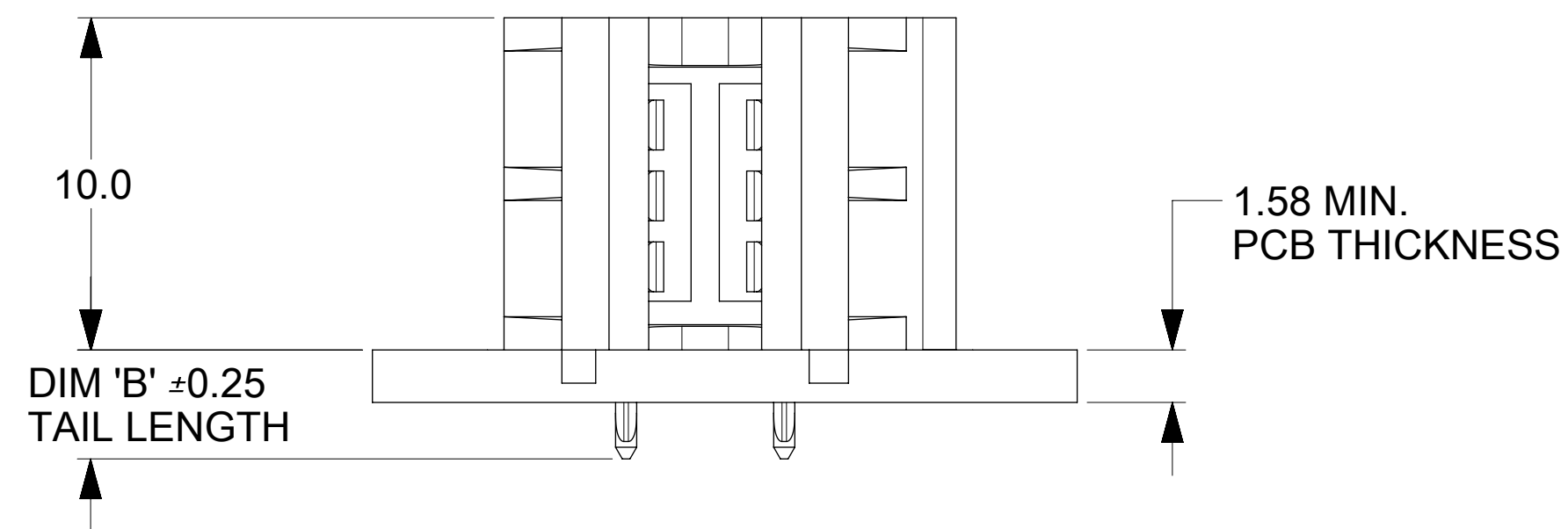


SECTION A-A

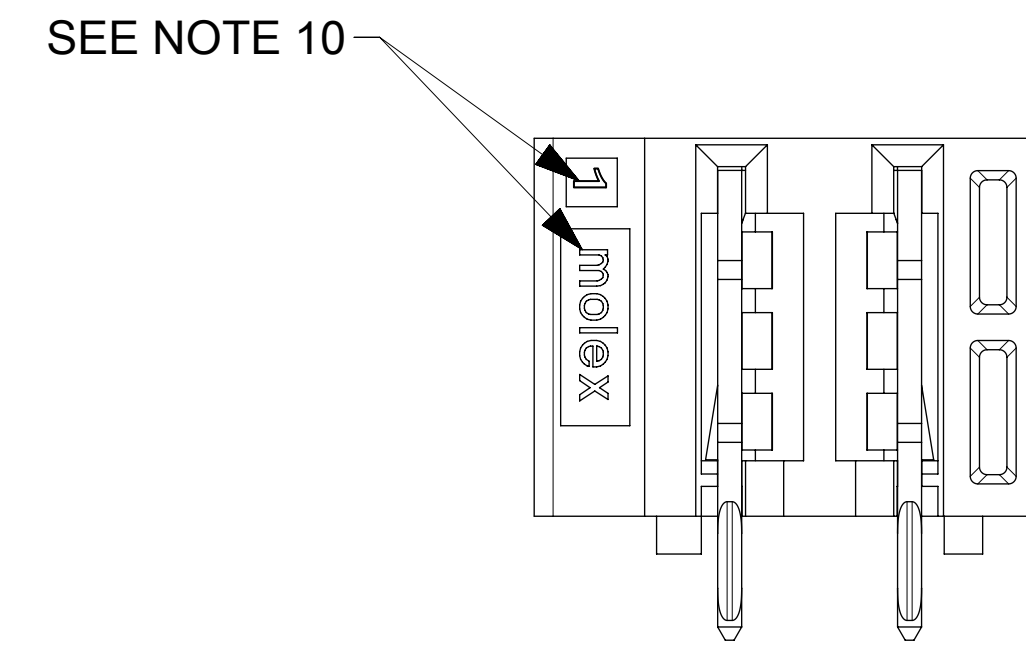


MATED PROFILE

- NOTES:
- MATERIAL:
 - HOUSINGS: LCP UL94 V-0, COLOR: BLACK.
 - TERMINALS: COPPER ALLOY.
 - PLATING: 1.27 MICROMETER (50 MICROINCH) NICKEL OVERALL WITH:
2.54 MICROMETER (100 MICROINCH) SELECTIVE TIN ON TAILS AND
0.762 MICROMETER (30 MICROINCH) SELECTIVE GOLD ON CONTACT AREA
 - PACKAGING: ASSEMBLIES TO BE TRAY PACKED PER PACKAGING SPEC: 1737080000-PK.
 - PLATED THRU HOLE SIZE, REFER TO 173708-0000-PS FOR DETAILS.
 - PRODUCT SPEC: 173708-0000-PS.
 - PRODUCT TO MEET RoHS REQUIREMENTS.
 - ASSEMBLY MATES WITH BUS BAR, SEE CHART FOR THICKNESS.
 - TAIL DESIGN: SEE CHART.
 - POWER CONTACTS ARE LUBRICATED.
 - APPLICATION SPEC: AS-46436-100.
 - MOLEX LOGO AND CAVITY ID TO BE LOCATED APPROXIMATELY AS SHOWN.
 - BUSBAR MUST HAVE GOLD OVER NICKEL PLATING IN MATING ZONE, MOLEX RECOMMENDS GOLD PLATING BE COATED WITH AN ENVIRONMENTAL BARRIER
 - DESIGNED FOR USE WITH #2-32 TYPE AB SELF TAPPING SCREW, RECOMMENDED TORQUE: .37 N-m MAX. TORQUE SCREWS ARE NOT SUPPLIED WITH THE CONNECTOR.
 - PART NUMBER AND DATE CODE IN APPROX. LOCATION AS SHOWN.



RECOMMENDED PCB LAYOUT AND KEEP-OUT ZONE (SHOWN FROM TOP)



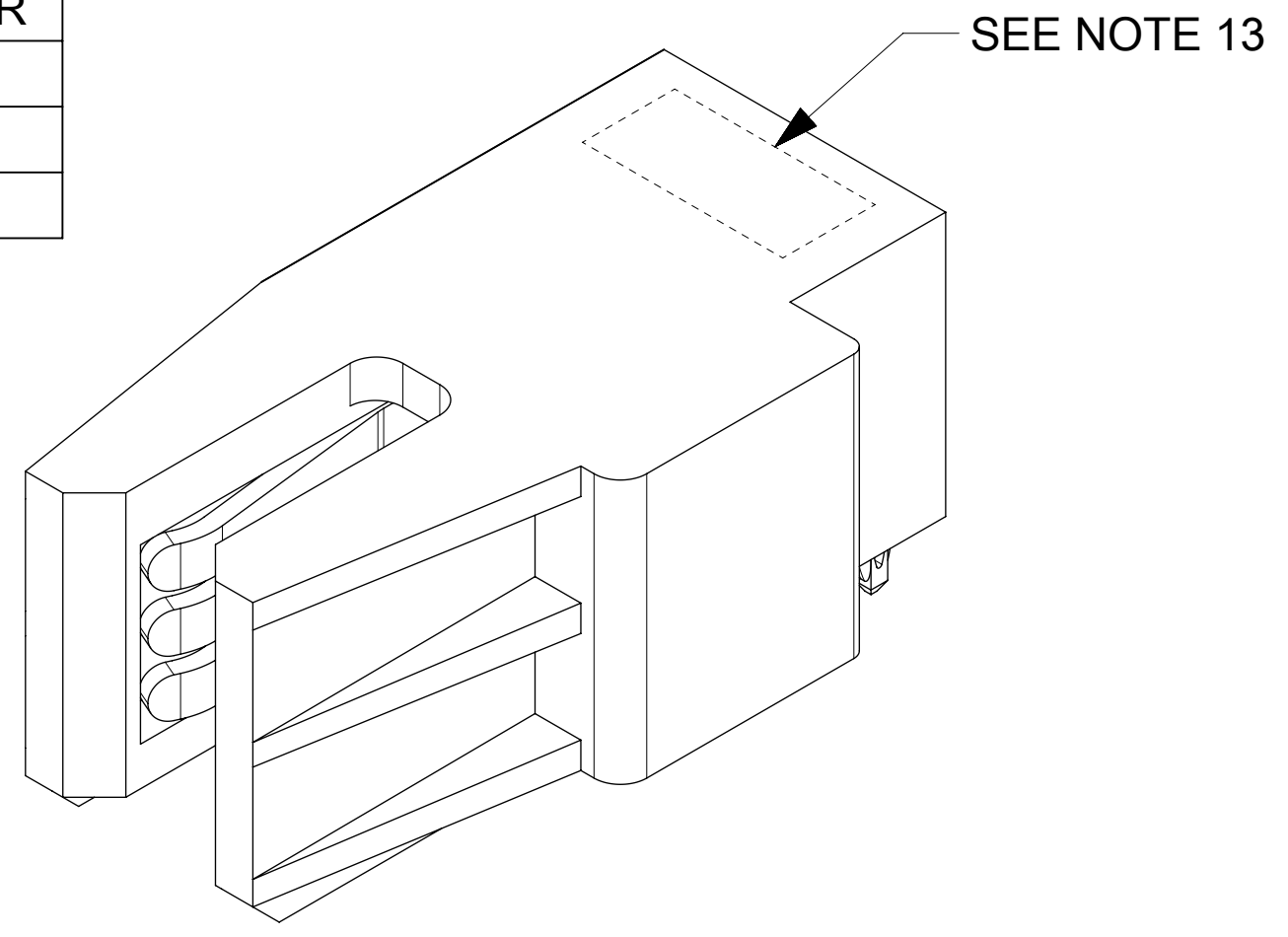
PART NUMBER	DIM 'A'	DIM 'B'	DIM 'C'	DIM 'D'	DIM 'E' BUS BAR THICKNESS	DIM 'F'	TAIL TYP.
173708-0001	13.61	3.28	4.76	14.61	3.00	2.38	PRESS-FIT
173708-0002	13.79	3.28	4.94	14.79	3.18	2.47	
173708-0003	16.71	3.28	7.86	17.71	6.10	2.38	SOLDERTAIL (.062" PCB)
173708-0004	13.61	2.84	4.76	14.61	3.00	2.38	
173708-0005	13.79	2.84	4.94	14.79	3.18	2.47	SOLDERTAIL (.093" PCB)
173708-0006	16.71	2.84	7.86	17.71	6.10	2.38	
173708-0007	13.61	3.63	4.76	14.61	3.00	2.38	SOLDERTAIL (.093" PCB)
173708-0008	13.79	3.63	4.94	14.79	3.18	2.47	
173708-0009	16.71	3.63	7.86	17.71	6.10	2.38	

PRE-RELEASE REFERENCE USE ONLY

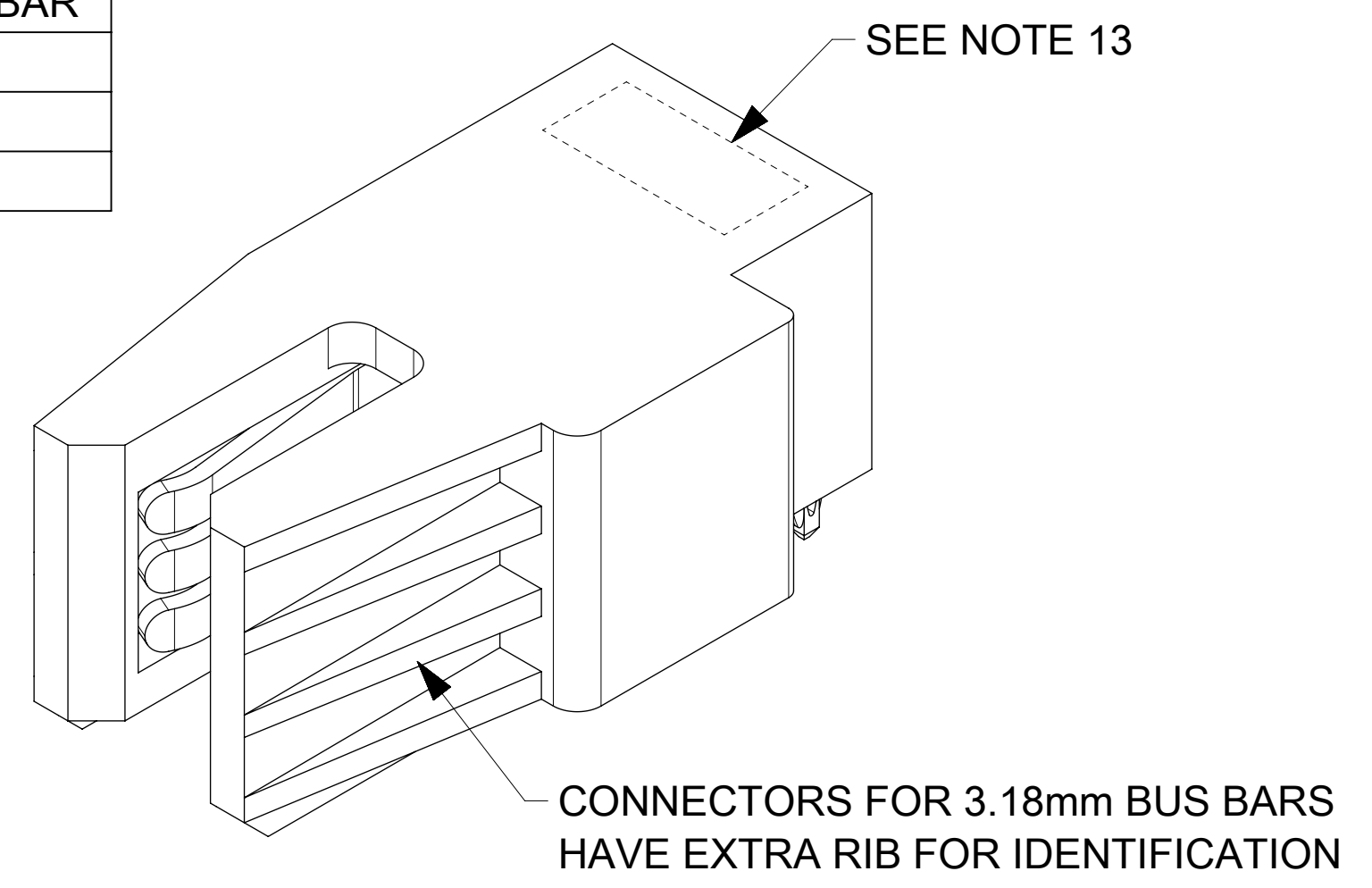
THIS DRAWING CONTAINS INFORMATION THAT IS PROPRIETARY TO MOLEX ELECTRONIC TECHNOLOGIES, LLC AND SHOULD NOT BE USED WITHOUT WRITTEN PERMISSION

EC NO: 118441 DRWN: LZABJANOVSKI CHK'D: BPSZCZOR REV: APPR:	2017/06/20	2017/07/06	GENERAL TOLERANCES (UNLESS SPECIFIED)	DIMENSION UNITS: MM	SCALE: 5:1		R/A BUSBAR CONNECTOR 1-CKT RECEPTACLE
	DRWN BY: LZABJANOVSKI DATE: 2016/09/08		ANGULAR TOL ± 0.5 ° 4 PLACES ± 3 PLACES ± 2 PLACES ± 0.13 1 PLACE ± 0.25 0 PLACES ±	DRWN BY: LZABJANOVSKI DATE: 2016/09/08	CHKD BY: JCOMERCI DATE: 2016/10/24		
	DRAFT WHERE APPLICABLE MUST REMAIN WITHIN DIMENSIONS		DRAWING SIZE: D	THIRD ANGLE PROJECTION	SERIES: 173708 MATERIAL NUMBER: SEE CHART CUSTOMER:	PRODUCT CUSTOMER DRAWING	
	A3	1737080000	PSD	000	SHEET NUMBER: 1 OF 2	PRODUCT CUSTOMER DRAWING	

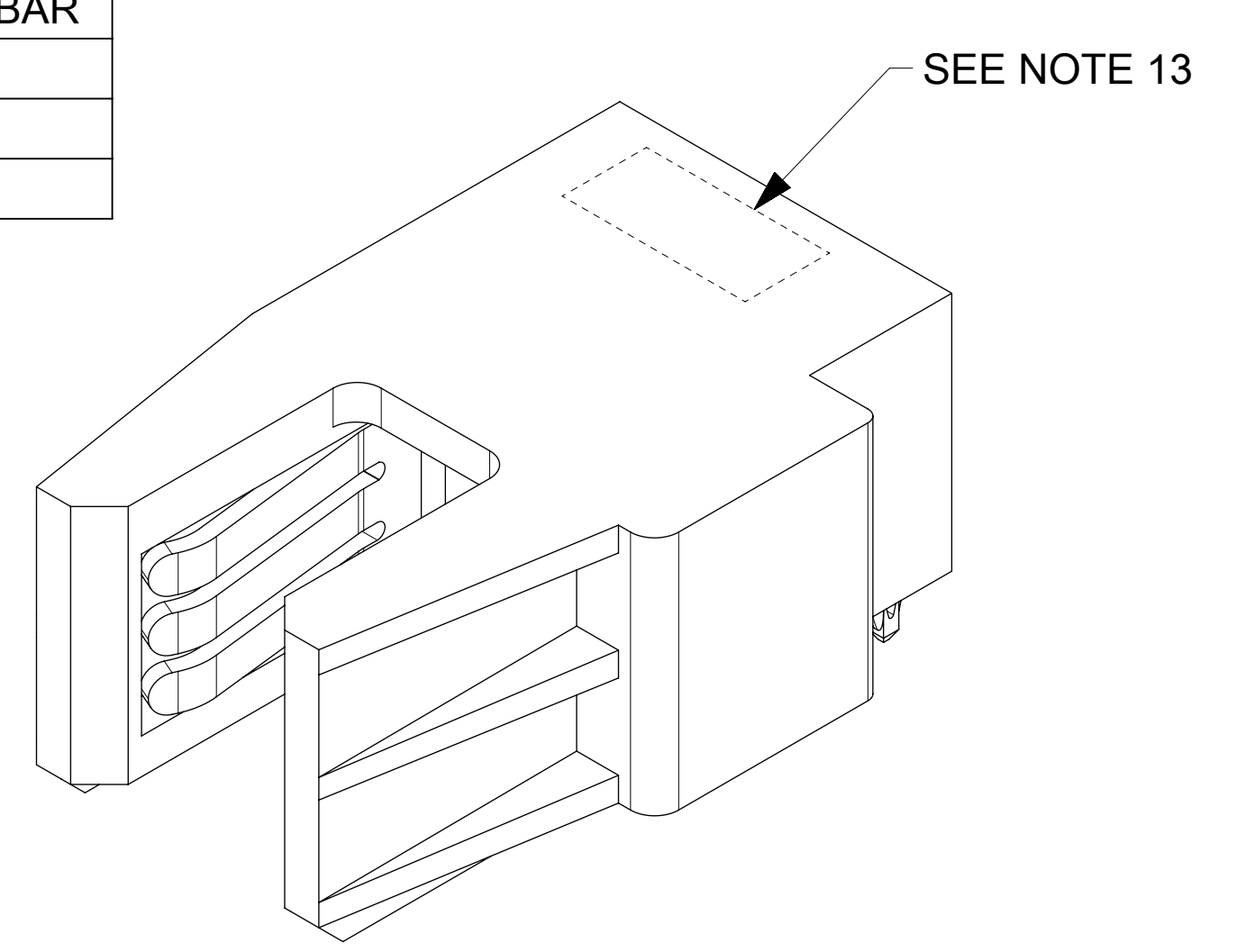
MATES TO 3.00mm BUS BAR
173708-0001
173708-0004
173708-0007



MATES TO 3.18mm BUS BAR
173708-0002
173708-0005
173708-0008



MATES TO 6.10mm BUS BAR
173708-0003
173708-0006
173708-0009



PRE-RELEASE
REFERENCE
USE ONLY

THIS DRAWING CONTAINS INFORMATION THAT IS PROPRIETARY TO MOLEX ELECTRONIC TECHNOLOGIES, LLC AND SHOULD NOT BE USED WITHOUT WRITTEN PERMISSION

EC NO: 118441 DRWN: LZABJANOVSKI CHKD: APPR: BPFISZCZOR 2017/06/20 2017/07/06	GENERAL TOLERANCES (UNLESS SPECIFIED)		DIMENSION UNITS	SCALE			
	ANGULAR TOL $\pm 0.5^\circ$		MM	5:1			
	4 PLACES \pm	DRWN BY	DATE	R/A BUSBAR CONNECTOR 1-CKT RECEPTACLE			
	3 PLACES \pm	LZABJANOVSKI	2016/09/08				
	2 PLACES ± 0.13	CHKD BY	DATE	PRODUCT CUSTOMER DRAWING			
	1 PLACE ± 0.25	JCOMERCI	2016/10/24				
	0 PLACES \pm	APPR BY	DATE	SERIES	MATERIAL NUMBER	CUSTOMER	
	DRAFT WHERE APPLICABLE MUST REMAIN WITHIN DIMENSIONS	DRAWING SIZE	THIRD ANGLE PROJECTION	173708	SEE CHART		
	A3	D		DOCUMENT NUMBER	DOC TYPE	DOC PART	SHEET NUMBER
				1737080000	PSD	000	2 OF 2

RELEASE STATUS	P1	RELEASE DATE	06.07.2017	16:38:15
----------------	----	--------------	------------	----------