



Chipsmall Limited consists of a professional team with an average of over 10 year of expertise in the distribution of electronic components. Based in Hongkong, we have already established firm and mutual-benefit business relationships with customers from,Europe,America and south Asia,supplying obsolete and hard-to-find components to meet their specific needs.

With the principle of "Quality Parts,Customers Priority,Honest Operation,and Considerate Service",our business mainly focus on the distribution of electronic components. Line cards we deal with include Microchip,ALPS,ROHM,Xilinx,Pulse,ON,Everlight and Freescale. Main products comprise IC,Modules,Potentiometer,IC Socket,Relay,Connector.Our parts cover such applications as commercial,industrial, and automotives areas.

We are looking forward to setting up business relationship with you and hope to provide you with the best service and solution. Let us make a better world for our industry!



Contact us

Tel: +86-755-8981 8866 Fax: +86-755-8427 6832

Email & Skype: info@chipsmall.com Web: www.chipsmall.com

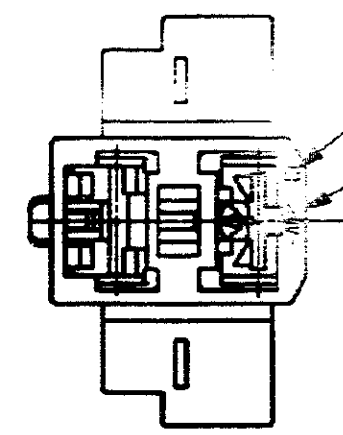
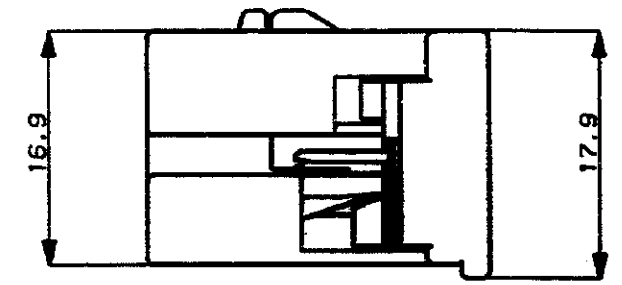
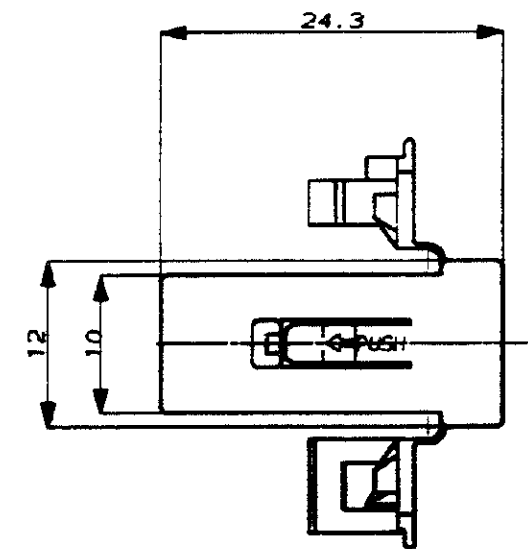
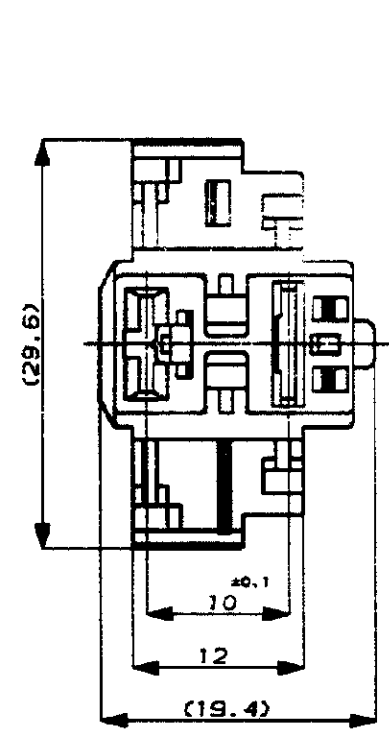
Address: A1208, Overseas Decoration Building, #122 Zhenhua RD., Futian, Shenzhen, China



NUMBER C-173713
METRIC

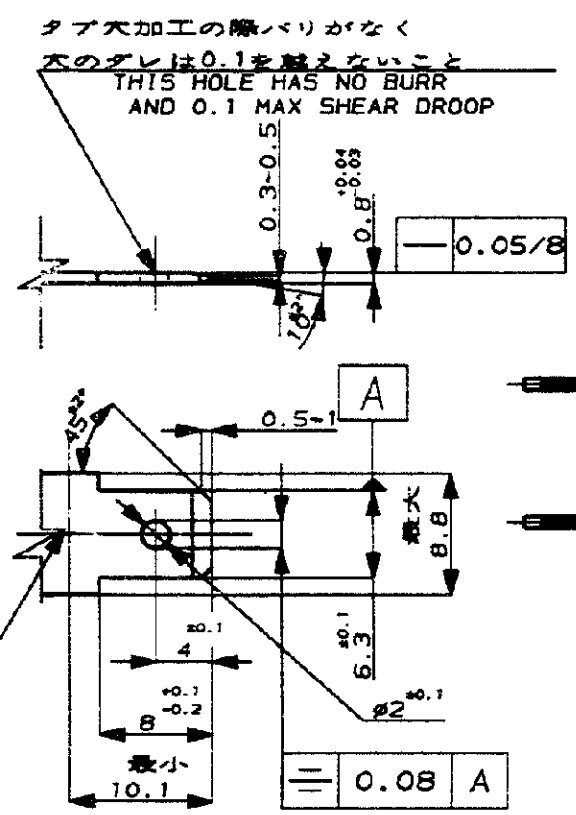
DIMENSIONS IN MILLIMETERS. DO NOT SCALE PRINT

PRINT DIST



キャビティマーク
CAVITY MARK
トレードマーク
TRADE MARK

この部分はハウジングが
挿入される際の必要スペース
THE HSG INSERTION NEEDS THIS SPACE



タブ穴加工の際バリがなく
穴のデレは0.1を越えないこと
THIS HOLE HAS NO BURR
AND 0.1 MAX SHEAR DROOP

タブ寸法推奨図 仕上:メッキなし又は錫メッキ
材料:黄銅0.8t JIS-3100, C2600P-1/2H
RECOMMENDED TAB DIMENSION FINISH: PLAIN OR TIN
MATERIAL: BRASS 0.8t
JIS-3100, C2600P-1/2H

NOTE;

- 1 PRODUCT SPEC: 108-5164
- 2 APPLICATION SPEC: 114-5060, 114-5088
- 3 IS NO: CH-177J
- 4 CONTACTS: 171655, 171656, 170452, 170454

注;

- 1 製品規格番号: 108-5164
- 2 取付適用規格番号: 114-5060, 114-5088
- 3 取扱説明書番号: CH-177J
- 4 適用端子型番: 171655, 171656, 170452, 170454

| | | | |
|--|--|--|--|
| | | 灰 (GRAY) 173713-6 | |
| | | 黒 (BLACK) 173713-2 | |
| | | 色 (COLOR) 型番 | |
| | | AMP AMP (JAPAN), LTD. Tokyo, Japan | |
| © 1985 BY AMP (Japan) LTD. ALL RIGHTS RESERVED. AMP PRODUCTS COVERED BY PATENTS AND OR PATENTS PENDING. | | | |
| MATERIAL 6/6 ナイロン (6/6NYLON) | | NAME .250 ポジティブロック 2極 プラグハウジング シエイク ハンド タイプ (.250 POSITIVE LOCK 2P PLUG HSG SHAKE HAND TYPE) | |
| MATERIAL RANGE 6/6 (ADD) | | INSULATION CIA | |
| FINISH | | GENERAL TOLERANCE | |
| DR. H. Betow 5/18/87 | | SIZE LOC NUMBER | |
| DE. H. Betow 5/18/87 | | B J C-173713 | |
| CHK. H. Betow | | SCALE 2-1 | |
| APP. H. Betow | | REV. 0 | |
| LTR | | SHEET 1 OF 1 | |

CUSTOMER DRAWING