



Chipsmall Limited consists of a professional team with an average of over 10 year of expertise in the distribution of electronic components. Based in Hongkong, we have already established firm and mutual-benefit business relationships with customers from,Europe,America and south Asia,supplying obsolete and hard-to-find components to meet their specific needs.

With the principle of “Quality Parts,Customers Priority,Honest Operation,and Considerate Service”,our business mainly focus on the distribution of electronic components. Line cards we deal with include Microchip,ALPS,ROHM,Xilinx,Pulse,ON,Everlight and Freescale. Main products comprise IC,Modules,Potentiometer,IC Socket,Relay,Connector.Our parts cover such applications as commercial,industrial, and automotives areas.

We are looking forward to setting up business relationship with you and hope to provide you with the best service and solution. Let us make a better world for our industry!



Contact us

Tel: +86-755-8981 8866 Fax: +86-755-8427 6832

Email & Skype: info@chipsmall.com Web: www.chipsmall.com

Address: A1208, Overseas Decoration Building, #122 Zhenhua RD., Futian, Shenzhen, China



4

3

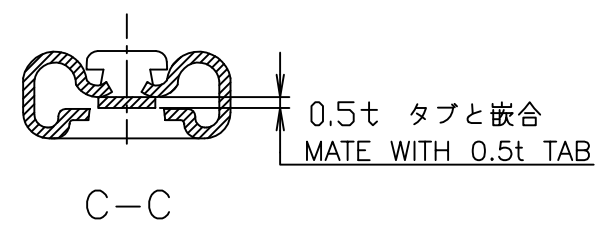
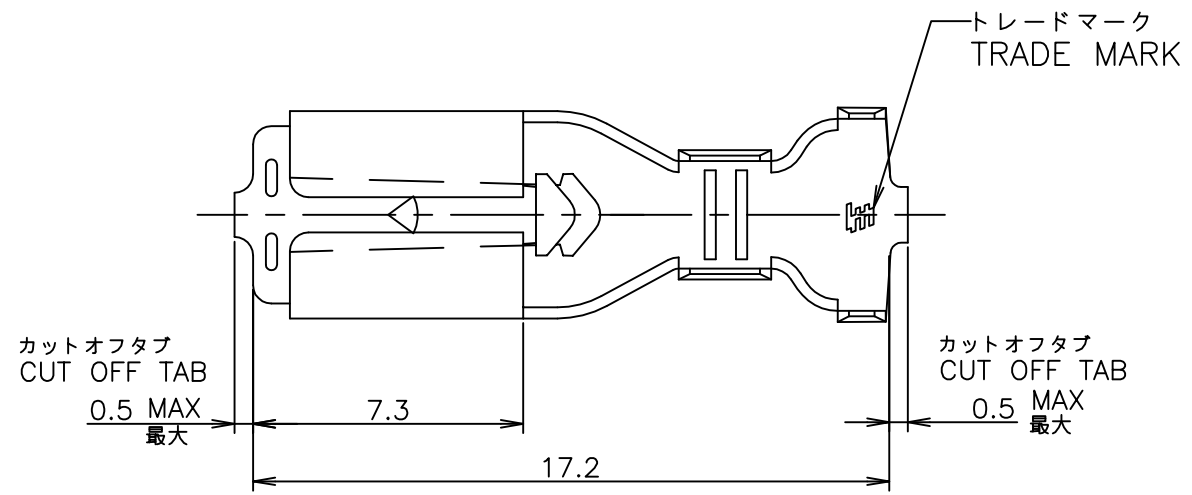
2

1

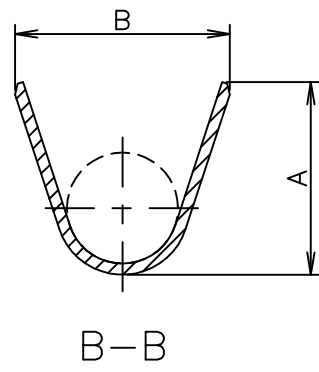
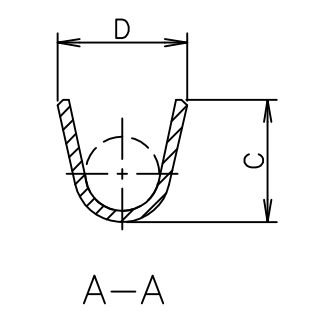
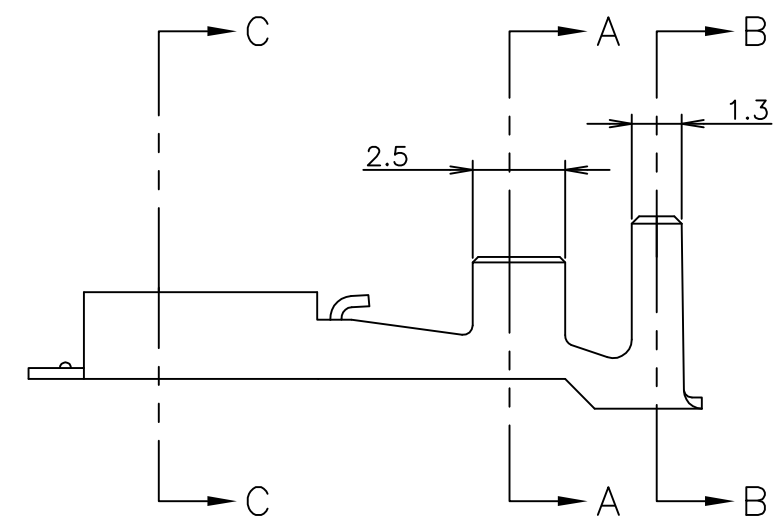
THIS DRAWING IS UNPUBLISHED. RELEASED FOR PUBLICATION MAY, 1999.
 © COPYRIGHT 1999 By - ALL RIGHTS RESERVED.

LOC	DIST	REVISIONS 変更			
P	LTR	DESCRIPTION	DATE	DWN	APVD
J	/				
		K1	REVISED PER ECO-11-005030	11MAR11	RK HMR
		L	REVISED PER ECR-11-023801	23NOV11	LL FM

-1, -5, -7; AS SHOWN



- 1 運用スリーブ型番: 174737
 - 2 取扱説明書: 411-5391
 - 3 手動工具型番: 911588-1
 - ⚠ 材料: 錫めっき済み黄銅 (0.3t)
 - ⚠ 材料: 錫めっき済み磷青銅 (0.3t)
- 1 APPLICABLE SLEEVE P/N: 174737
 - 2 INSTRUCTION SHEET NO: 411-5391
 - 3 HAND TOOL NO.: 911588-1
 - ⚠ MATERIAL: PRE-TIN BRASS (0.3t)
 - ⚠ MATERIAL: PRE-TIN PHOS BRO (0.3t)



2.8	2.7	4.3	4.2	108-5236	⚠	173725-7	10, INCH PAPER REEL	173724-7
3.3	3.5	4.3	4.2	108-5685	⚠		10, INCH PAPER REEL	173724-5
3.3	3.5	5.8	5.2	108-5236	⚠	173725-1	10, INCH PAPER REEL	173724-1
D	C	B	A	PRODUCT SPEC 製品規格	MATERIAL 材料	L.P.NO. ばら状端子型番	REEL SIZE	P/N 型番

WIRE RANGE 包含電線断面積	AWG #20-#14 0.5~2.2 mm ²	INSULATION DIA 被覆外径	1.9~4.4 mmφ
-----------------------	--	------------------------	-------------

GENERAL TOLERANCE
一般公差

10 ≥ : ±0.2
 30 ≥ > 10: ±0.25
 100 ≥ > 30: ±0.3
 ANGLES: ±3°

THIS DRAWING IS A CONTROLLED DOCUMENT.

DIMENSIONS:
単位: 耗
mm

TOLERANCES UNLESS
OTHERWISE SPECIFIED:
一般公差

0 PLC ±
 1 PLC ±
 2 PLC ±
 3 PLC ±
 4 PLC ±
 ANGLES ±

MATERIAL 表参照
材料 SEE TABLE

FINISH 仕上

DWN M.SUZUKI 10MAY1999
 CHK M.SHINDO 10MAY1999
 APVD M.SHINDO 10MAY1999
 PRODUCT SPEC 表参照
製品規格 SEE TABLE
 APPLICATION SPEC 取付適用規格
114-5114
 WEIGHT

CUSTOMER DRAWING

TE TE Connectivity

NAME 名称
187 SERIES POSITIVE LOCK-EX
187 シリーズ ポジティブ ブロッカー-EX リセブタクル

SIZE	CAGE CODE	DRAWING NO 番号	RESTRICTED TO
A3	00779	C=173724	

SCALE 尺度 5:1 SHEET 1 of 1 REV L